



US00D913341S

(12) **United States Design Patent** (10) **Patent No.:** **US D913,341 S**  
**Watson et al.** (45) **Date of Patent:** **\*\* Mar. 16, 2021**

(54) **BODY PANEL FOR A MACHINE**  
(71) Applicant: **J.C. BAMFORD EXCAVATORS LIMITED**, Uttoxeter (GB)  
(72) Inventors: **Ben Watson**, Uttoxeter (GB); **Louis Gospel**, Uttoxeter (GB); **Steve Newberry**, Uttoxeter (GB)  
(73) Assignee: **J.C. BAMFORD EXCAVATORS LIMITED**, Uttoxeter (GB)  
(\*\*) Term: **15 Years**

D716,846 S *	11/2014	Carter	.....	D15/31
D742,937 S *	11/2015	Ewringmann	.....	D15/28
D774,104 S *	12/2016	Underhill	.....	D15/28
D781,353 S *	3/2017	Underhill	.....	D15/28
D792,479 S *	7/2017	Sasaki	.....	D15/17
D792,480 S *	7/2017	Hashimoto	.....	D15/28
D792,481 S *	7/2017	Hashimoto	.....	D15/28
D794,088 S *	8/2017	Underhill	.....	D15/28
D816,727 S *	5/2018	Hallgren	.....	D15/28
D819,089 S *	5/2018	Ulmefors	.....	D15/28
D819,090 S *	5/2018	Ulmefors	.....	D15/31
D819,707 S *	6/2018	Ulmefors	.....	D15/28
D819,708 S *	6/2018	Ulmefors	.....	D15/31
D831,079 S *	10/2018	Ulmefors	.....	D15/31
D835,684 S *	12/2018	Zabe	.....	D15/28
D879,157 S *	3/2020	Zabe	.....	D15/27

(21) Appl. No.: **29/706,337**  
(22) Filed: **Sep. 19, 2019**  
(30) **Foreign Application Priority Data**  
Mar. 26, 2019 (WO) ..... DM/202 419  
(51) **LOC (13) Cl.** ..... **15-03**  
(52) **U.S. Cl.**  
USPC ..... **D15/28**  
(58) **Field of Classification Search**  
USPC ..... D12/14; D15/10-12, 15, 17, 20, 23-26,  
D15/28, 30, 31, 33, 122  
CPC ..... B62D 33/0617; B66C 13/54; E02F 9/163  
See application file for complete search history.

\* cited by examiner

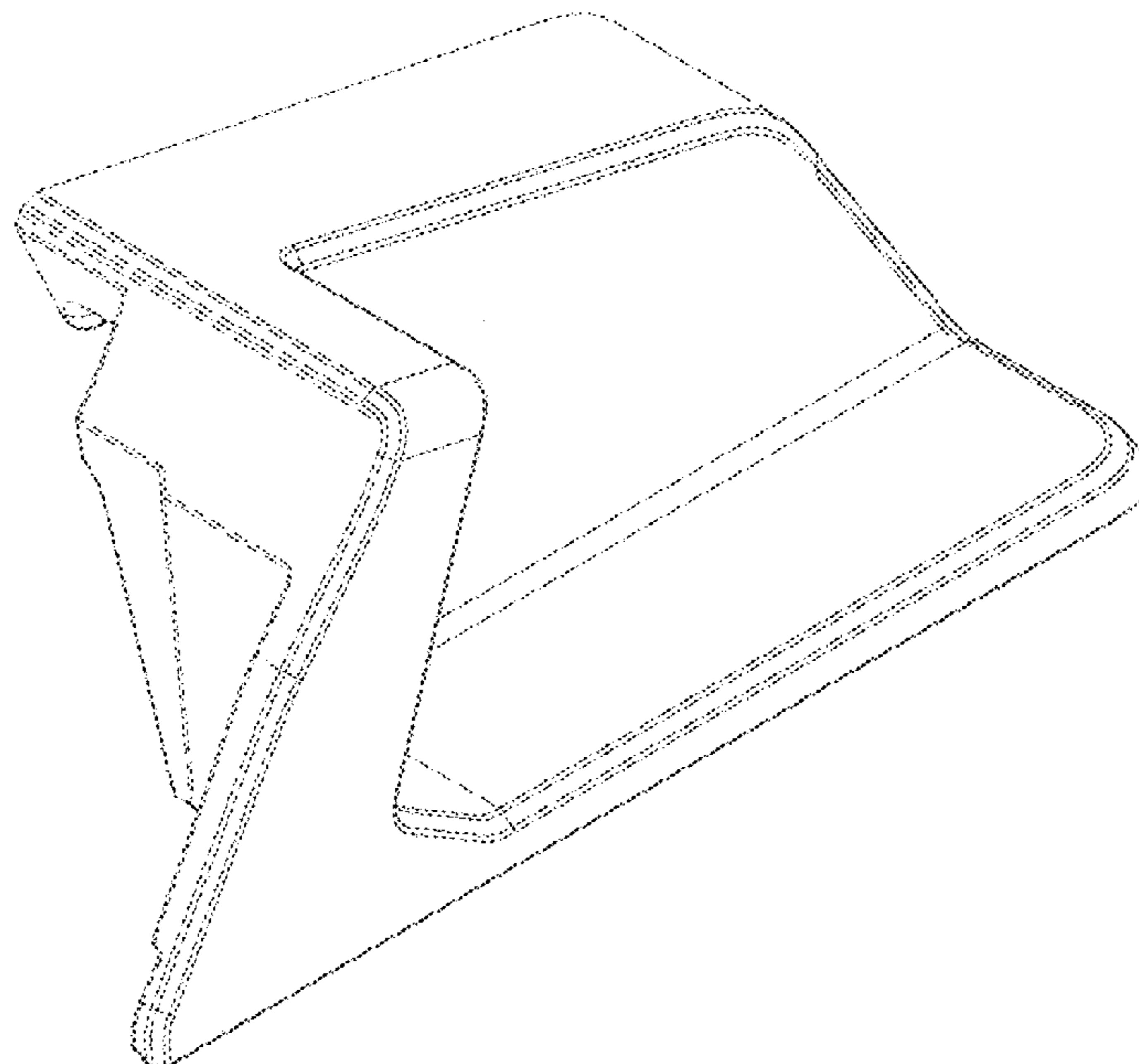
*Primary Examiner* — Michael C Stout  
*Assistant Examiner* — Fritzgerald L Butac  
(74) *Attorney, Agent, or Firm* — Marshall, Gerstein & Borun LLP

(56) **References Cited**  
U.S. PATENT DOCUMENTS  
D624,848 S \* 10/2010 Shimomura ..... D12/14  
D648,357 S \* 11/2011 Hagele ..... D15/33  
D681,064 S \* 4/2013 Higashikawa ..... D15/17  
D681,686 S \* 5/2013 Higashikawa ..... D15/17  
D681,687 S \* 5/2013 Higashikawa ..... D15/17  
D693,857 S \* 11/2013 Hiraoka ..... D15/28  
D695,793 S \* 12/2013 Ewringmann ..... D15/28

(57) **CLAIM**  
The ornamental design for a body panel for a machine, as shown and described.

**DESCRIPTION**  
FIG. 1 is a top, front, and right-side perspective view of a body panel for a machine, showing our new design.  
FIG. 2 is a top plan view.  
FIG. 3 is a right-side elevation view.  
FIG. 4 is a front elevation view.  
FIG. 5 is a back elevation view.  
FIG. 6 is a left-side elevation view; and,  
FIG. 7 is a bottom plan view.  
The broken lines show portions of a body panel for a machine which form no part of the claimed design.

**1 Claim, 4 Drawing Sheets**



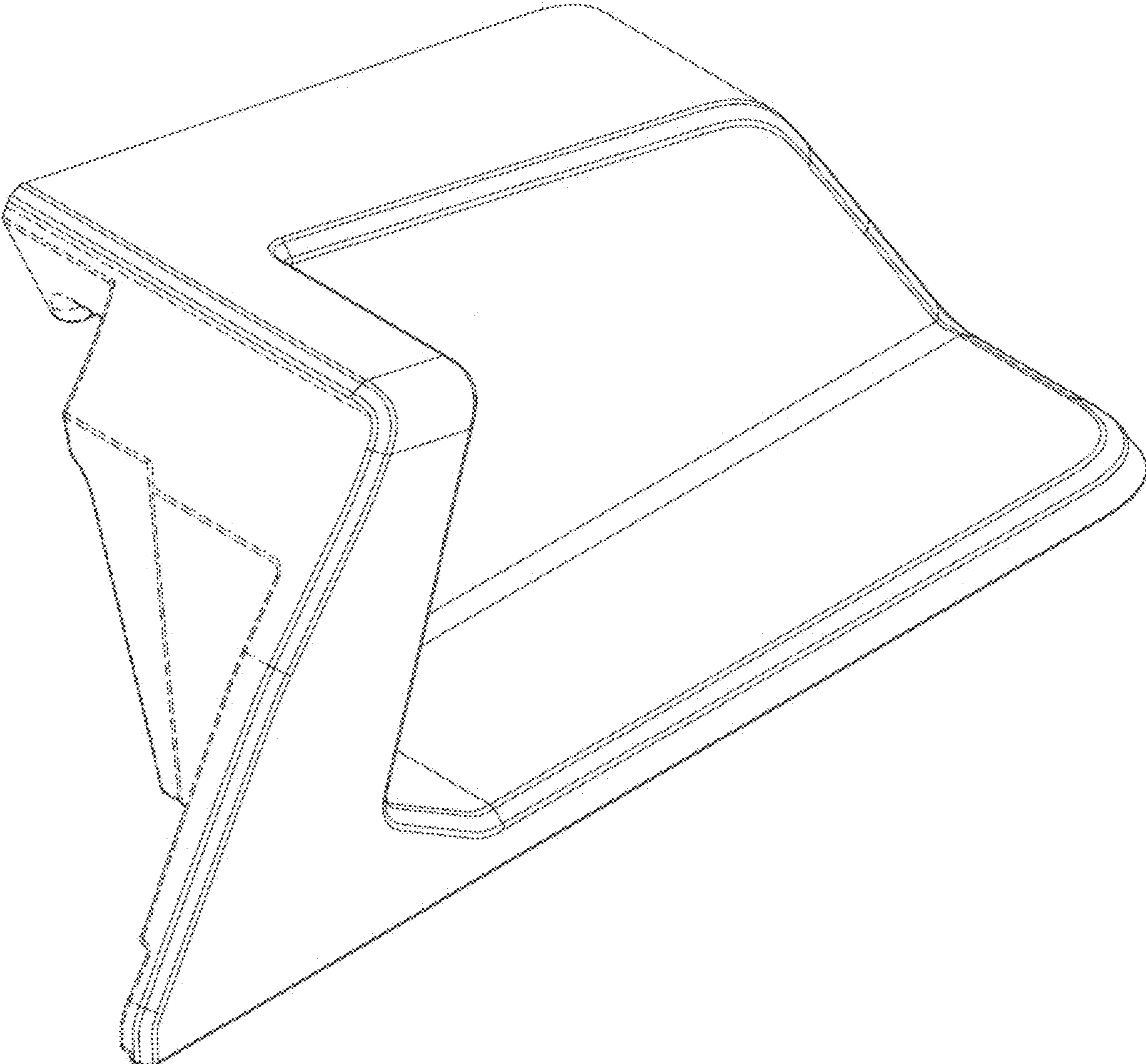


Fig. 1

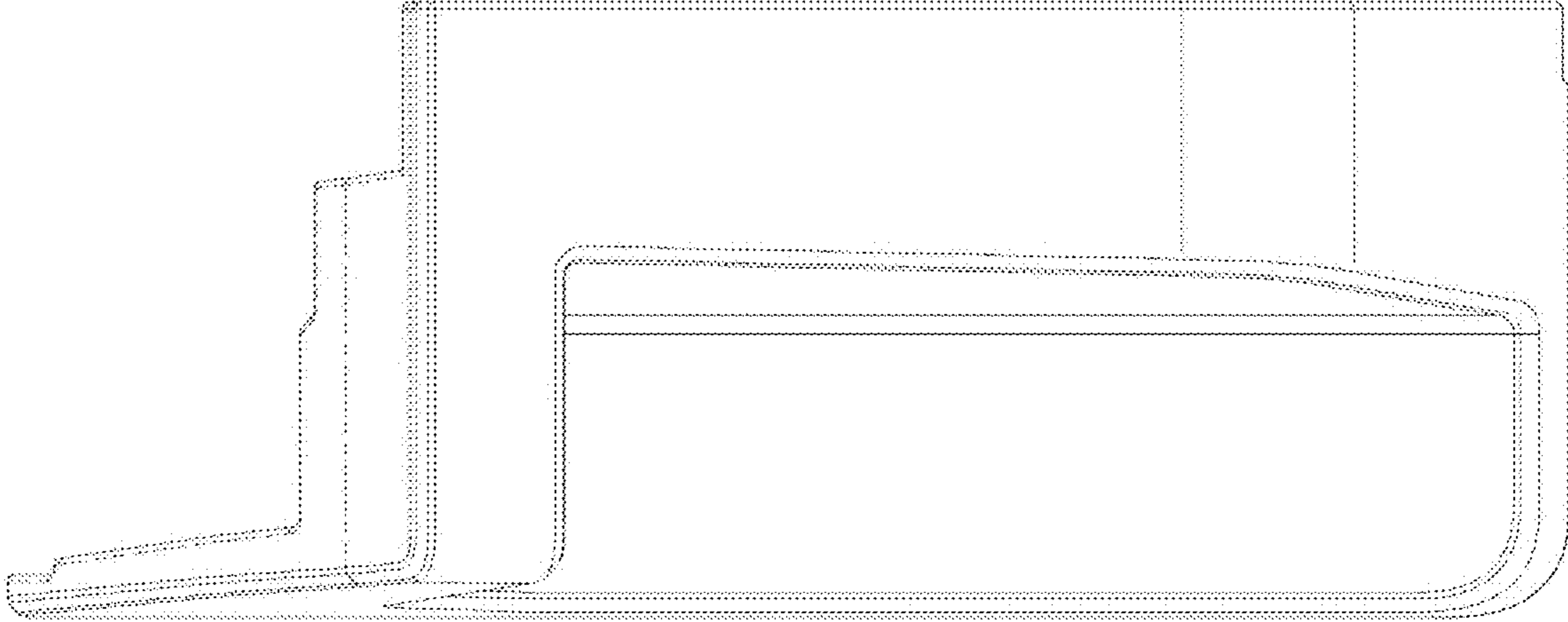


Fig. 2

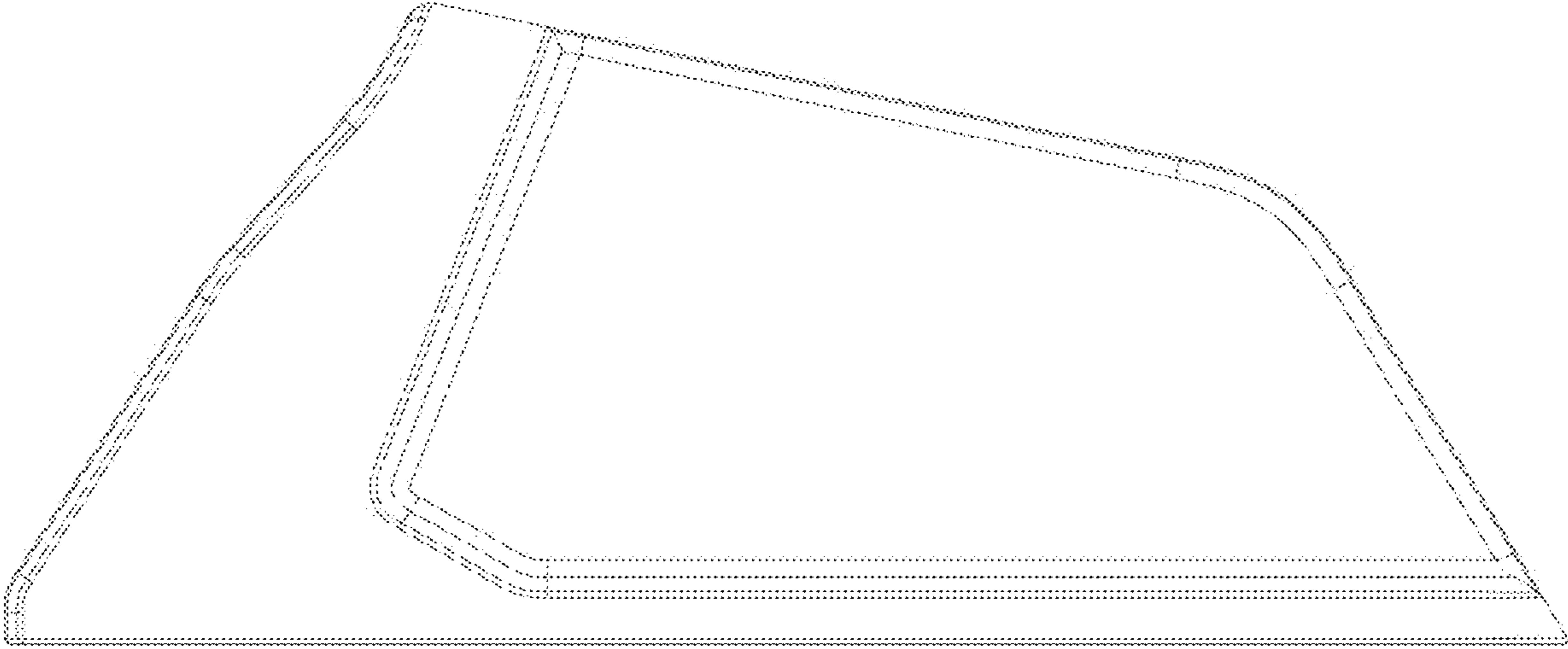


Fig. 3

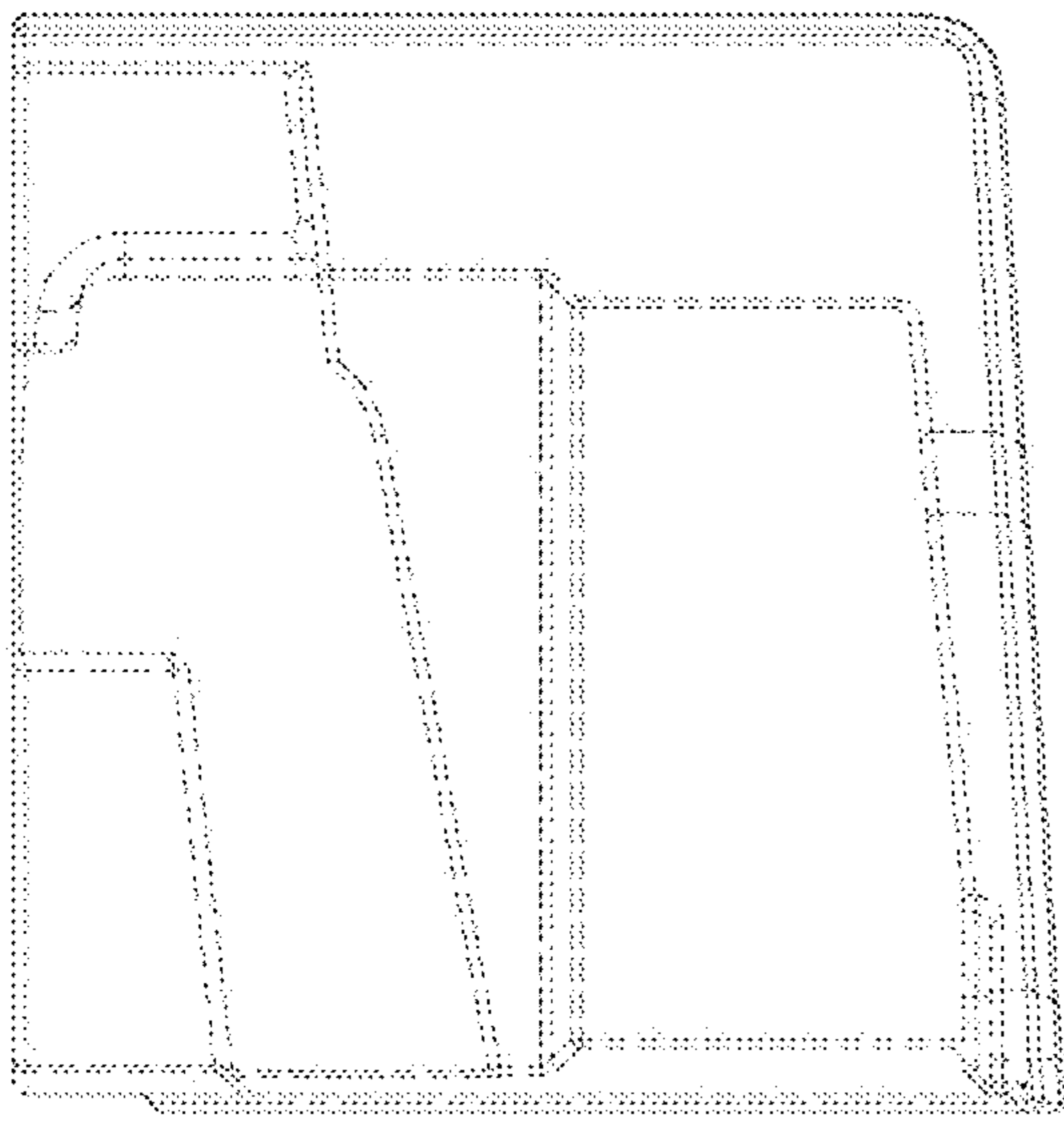


Fig. 4

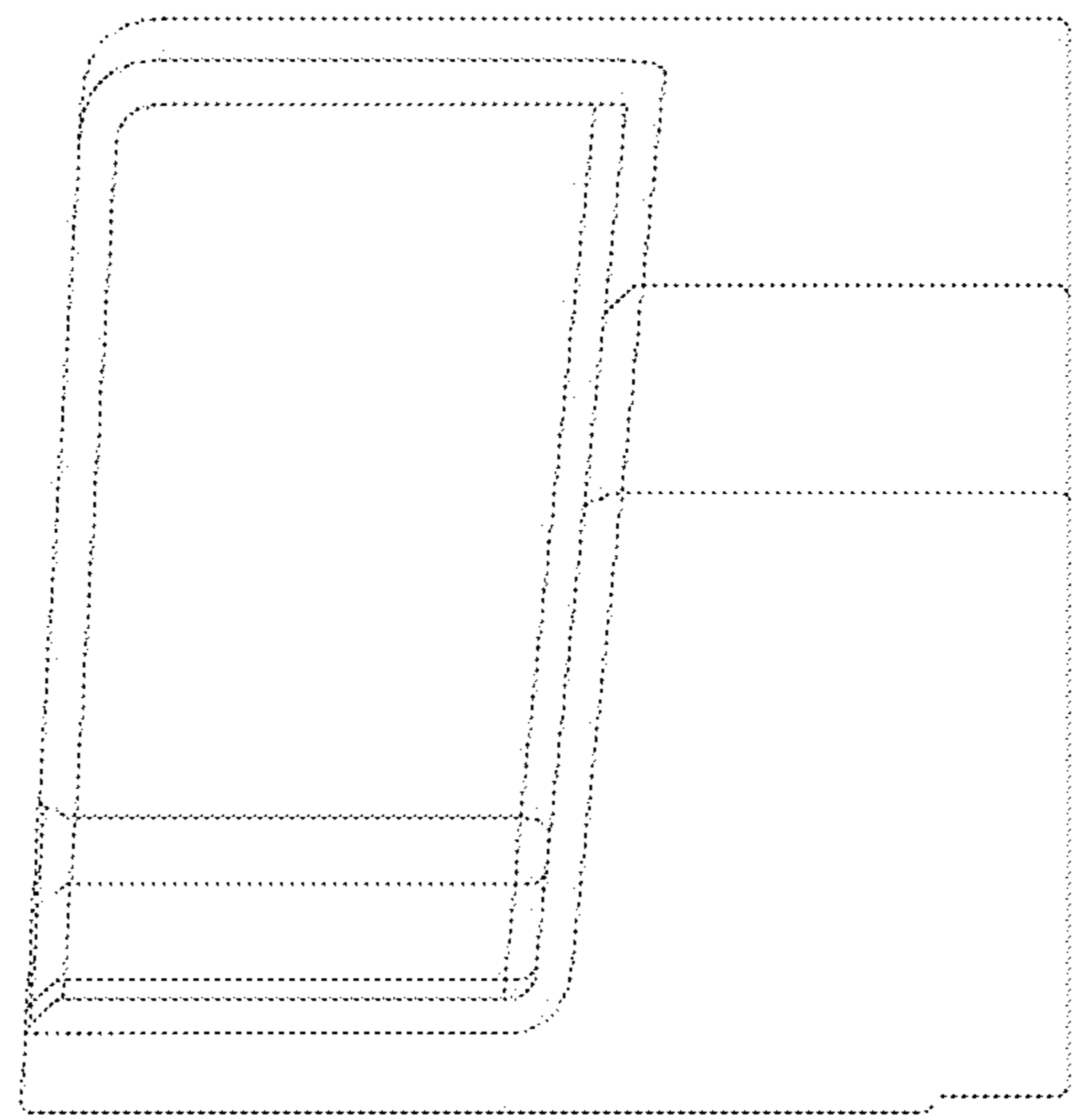


Fig. 5

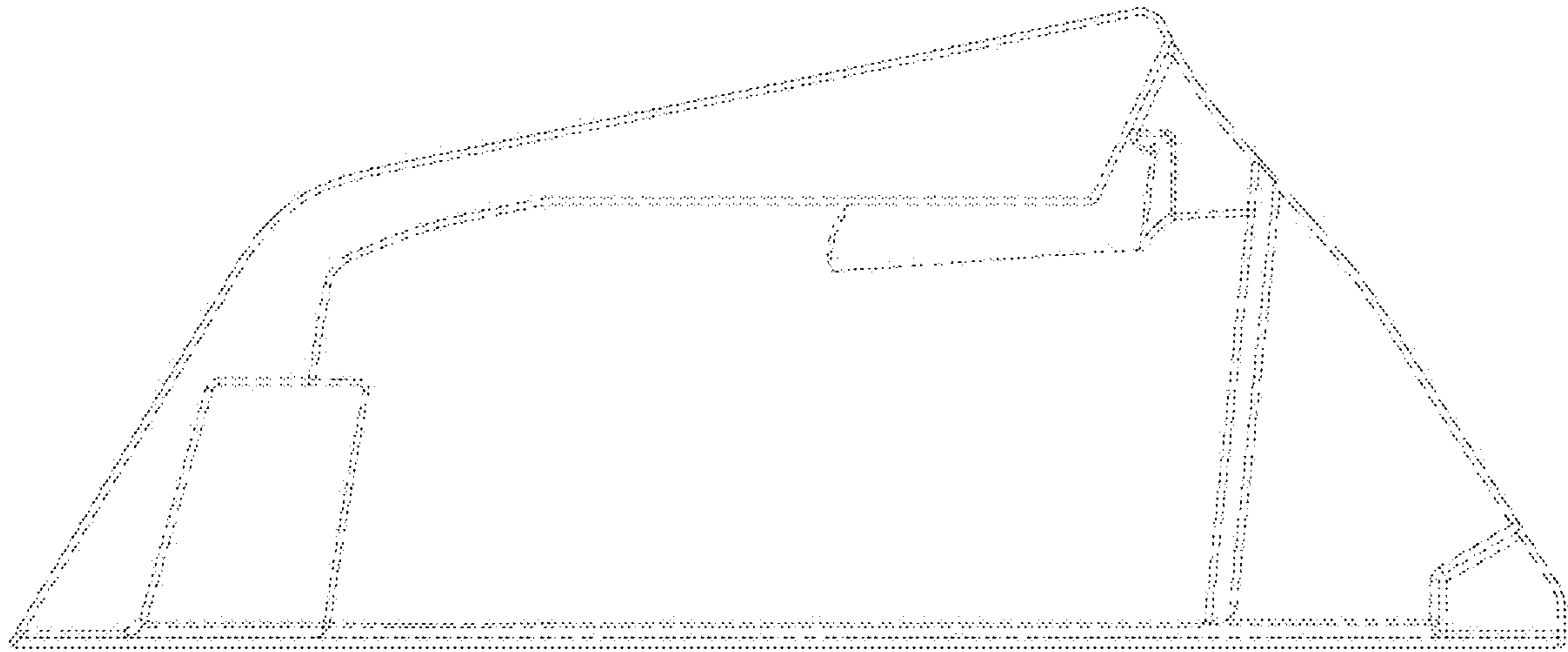


Fig. 6

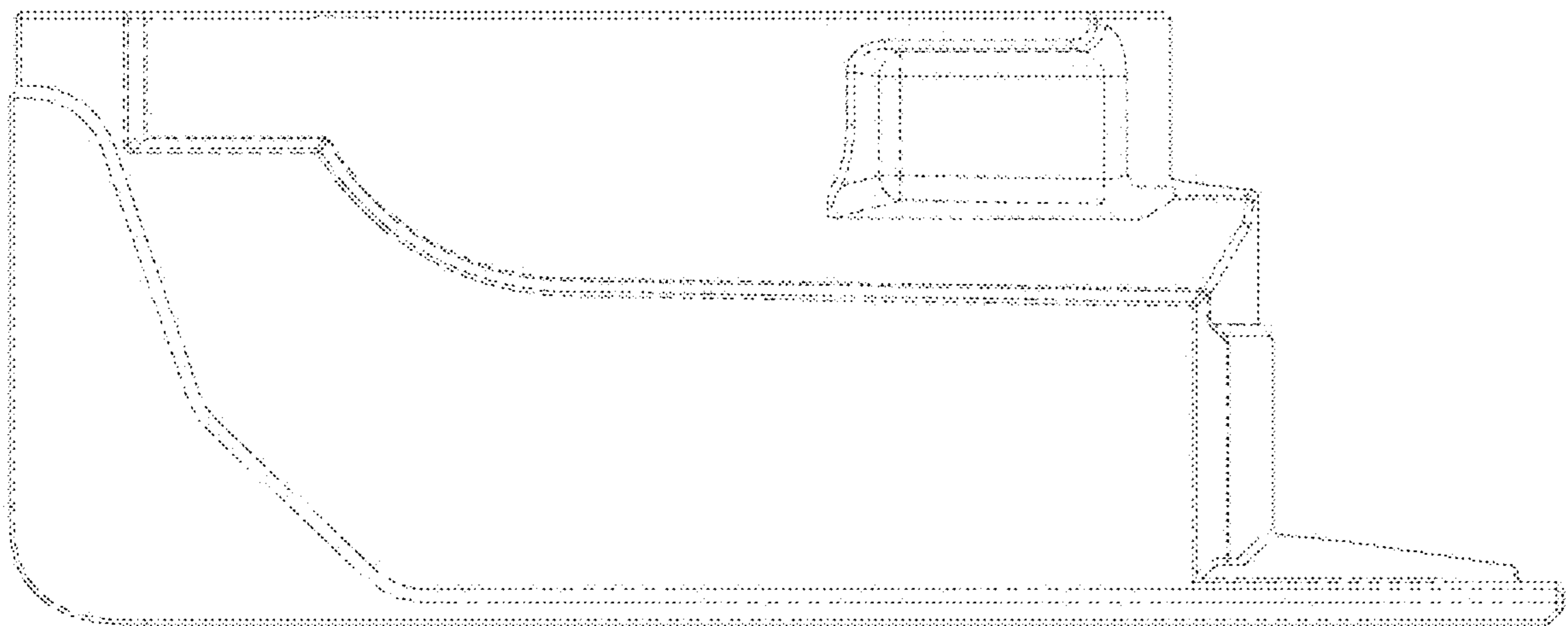


Fig. 7