



US00D913338S

(12) **United States Design Patent** (10) **Patent No.:** **US D913,338 S**
Hyakusawa (45) **Date of Patent:** **** Mar. 16, 2021**

(54) **FRONT COVER FOR LAWN MOWER**

(71) Applicant: **HONDA MOTOR CO., LTD.**, Tokyo (JP)

(72) Inventor: **Dai Hyakusawa**, Wako (JP)

(73) Assignee: **HONDA MOTOR CO., LTD.**, Tokyo (JP)

(**) Term: **15 Years**

(21) Appl. No.: **29/707,940**

(22) Filed: **Oct. 2, 2019**

(30) **Foreign Application Priority Data**

Apr. 4, 2019 (JP) 2019-007345

(51) **LOC (13) Cl.** **15-03**

(52) **U.S. Cl.**
USPC **D15/17**

(58) **Field of Classification Search**
USPC D15/14, 16, 17; 56/255, 294, 320.1, 56/320.2
CPC B62D 25/10; B62D 25/00; B60R 19/52; A01D 42/04; A01D 42/00; A01D 2101/00; A01D 34/63; A01D 43/063
See application file for complete search history.

(56) **References Cited**

U.S. PATENT DOCUMENTS

- 4,711,077 A * 12/1987 Kutsukake A01D 34/81 56/17.5
- D309,311 S * 7/1990 Jones D15/17
- D309,903 S * 8/1990 Jones D15/17
- D384,083 S * 9/1997 Hinklin D15/14
- D458,277 S * 6/2002 Stratford D15/14
- D584,746 S * 1/2009 Schreiner D15/17

- D627,372 S * 11/2010 Baetica D15/14
- D648,354 S * 11/2011 Hattori D15/17
- D651,218 S * 12/2011 Stokes D15/17
- D673,181 S * 12/2012 Martin D15/17
- D722,619 S * 2/2015 Phillips D15/17
- 2013/0139485 A1 * 6/2013 Wadzinski A01D 43/0636 56/320.2
- 2014/0109539 A1 * 4/2014 Adolfsson B29C 65/58 56/320.1
- 2014/0230394 A1 * 8/2014 Zerbarini A01D 34/47 56/16.7

* cited by examiner

Primary Examiner — Mark A Goodwin

(74) *Attorney, Agent, or Firm* — Westerman, Hattori, Daniels & Adrian, LLP

(57) **CLAIM**

The ornamental design for a front cover for lawn mower, as shown and described.

DESCRIPTION

FIG. 1 is a front and right perspective view of a front cover for lawn mower showing my new design;
 FIG. 2 is a front and left perspective view thereof;
 FIG. 3 is a rear and right perspective view thereof;
 FIG. 4 is a rear and left perspective view thereof;
 FIG. 5 is a front elevation view thereof;
 FIG. 6 is a rear elevation view thereof;
 FIG. 7 is a right side elevation view thereof;
 FIG. 8 is a left side elevation view thereof;
 FIG. 9 is a top plan view thereof;
 FIG. 10 is a bottom plan view thereof; and,
 FIG. 11 is a front and right perspective view thereof.
 The broken lines in the drawings illustrate portions of the front cover for lawn mower that form no part of the claimed design.

1 Claim, 11 Drawing Sheets

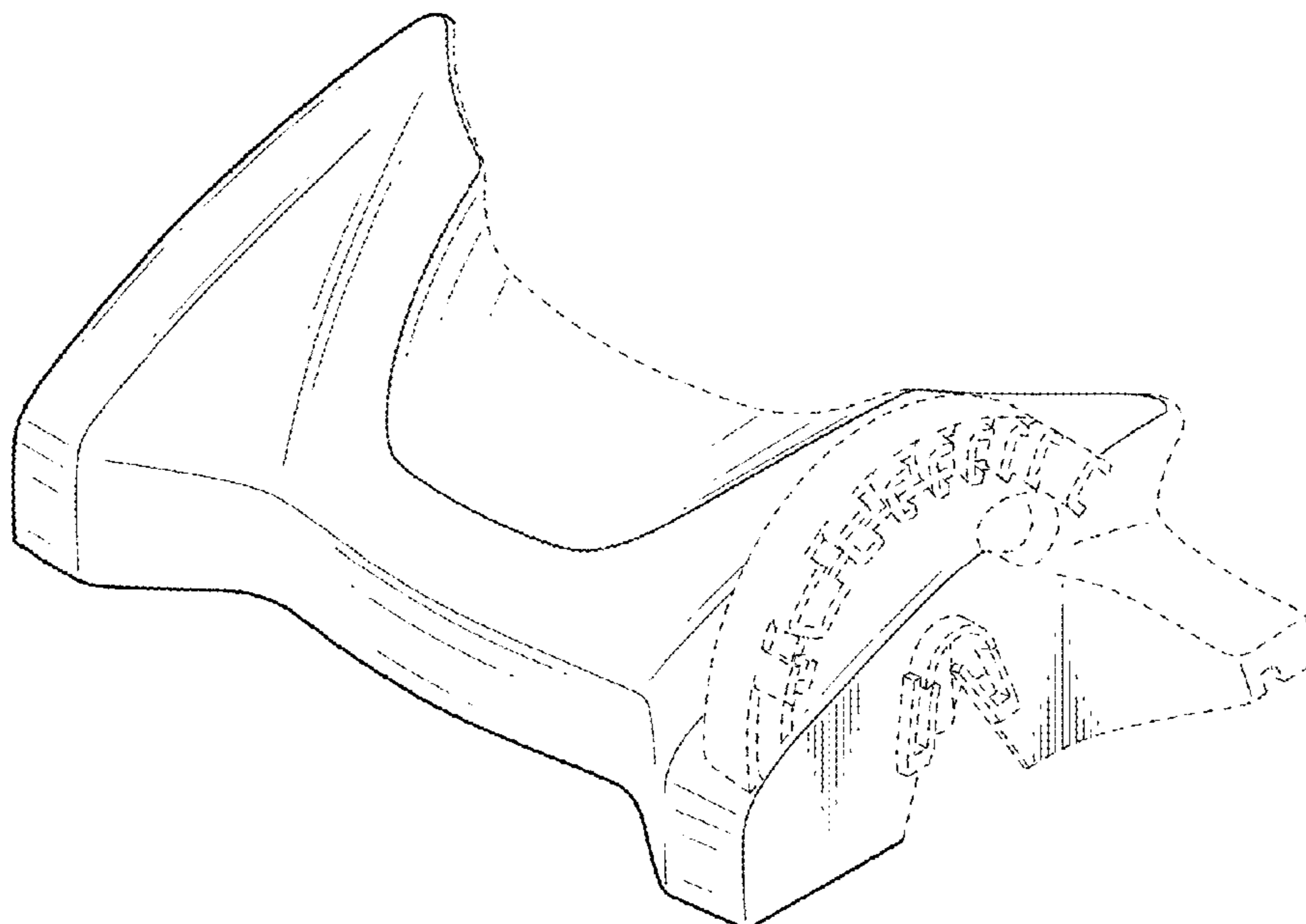


FIG. 1

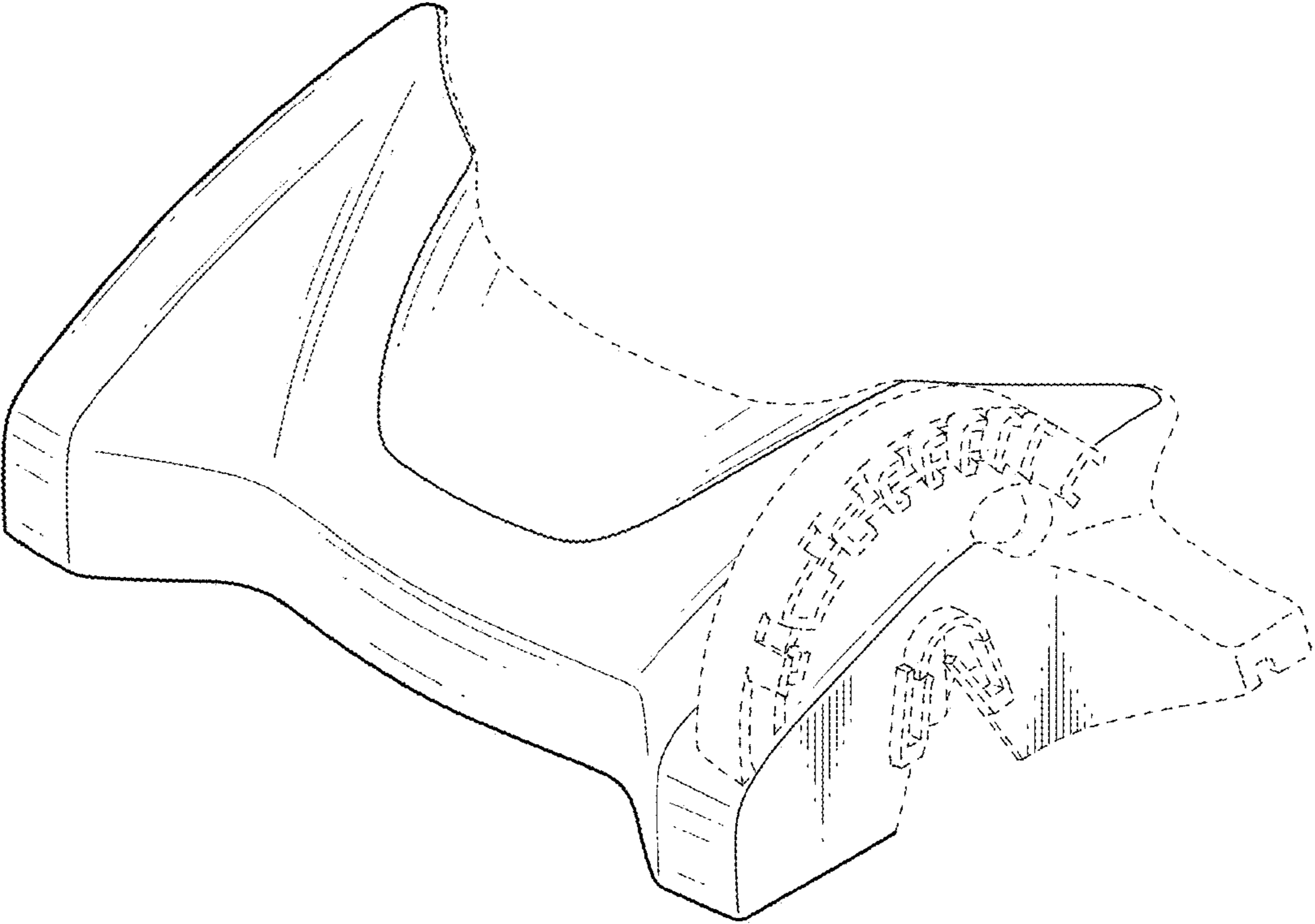


FIG. 2

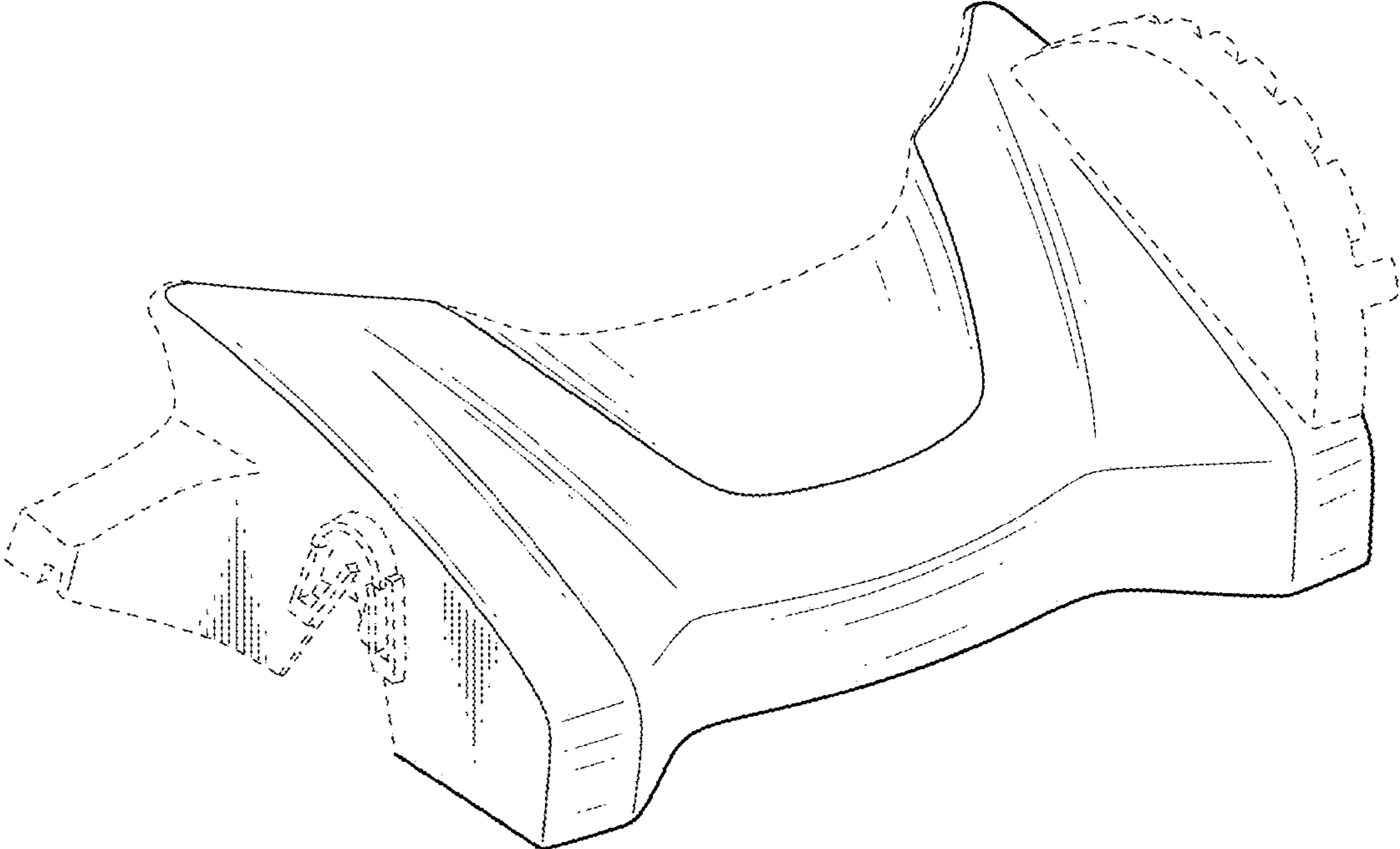


FIG. 3

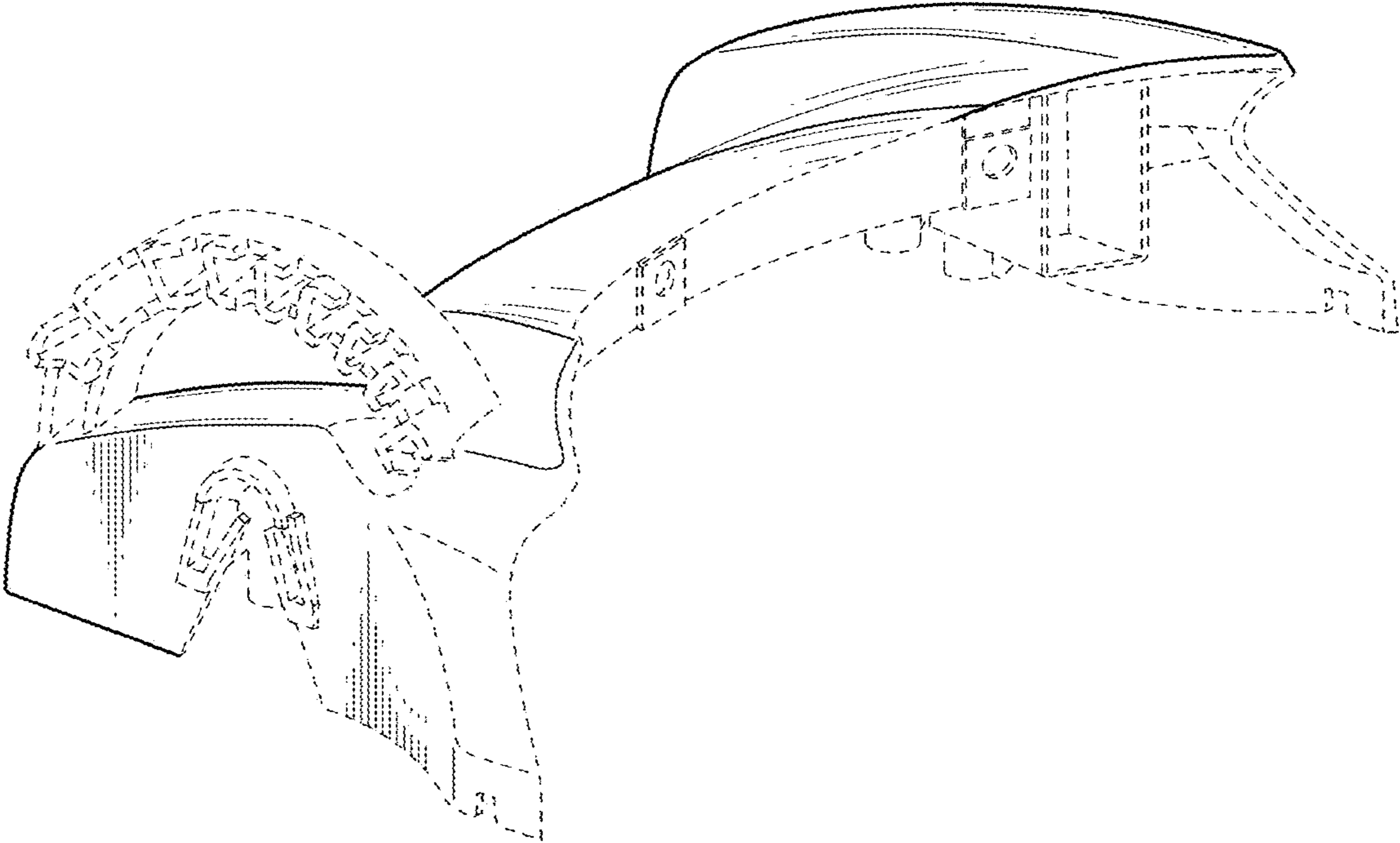


FIG. 4

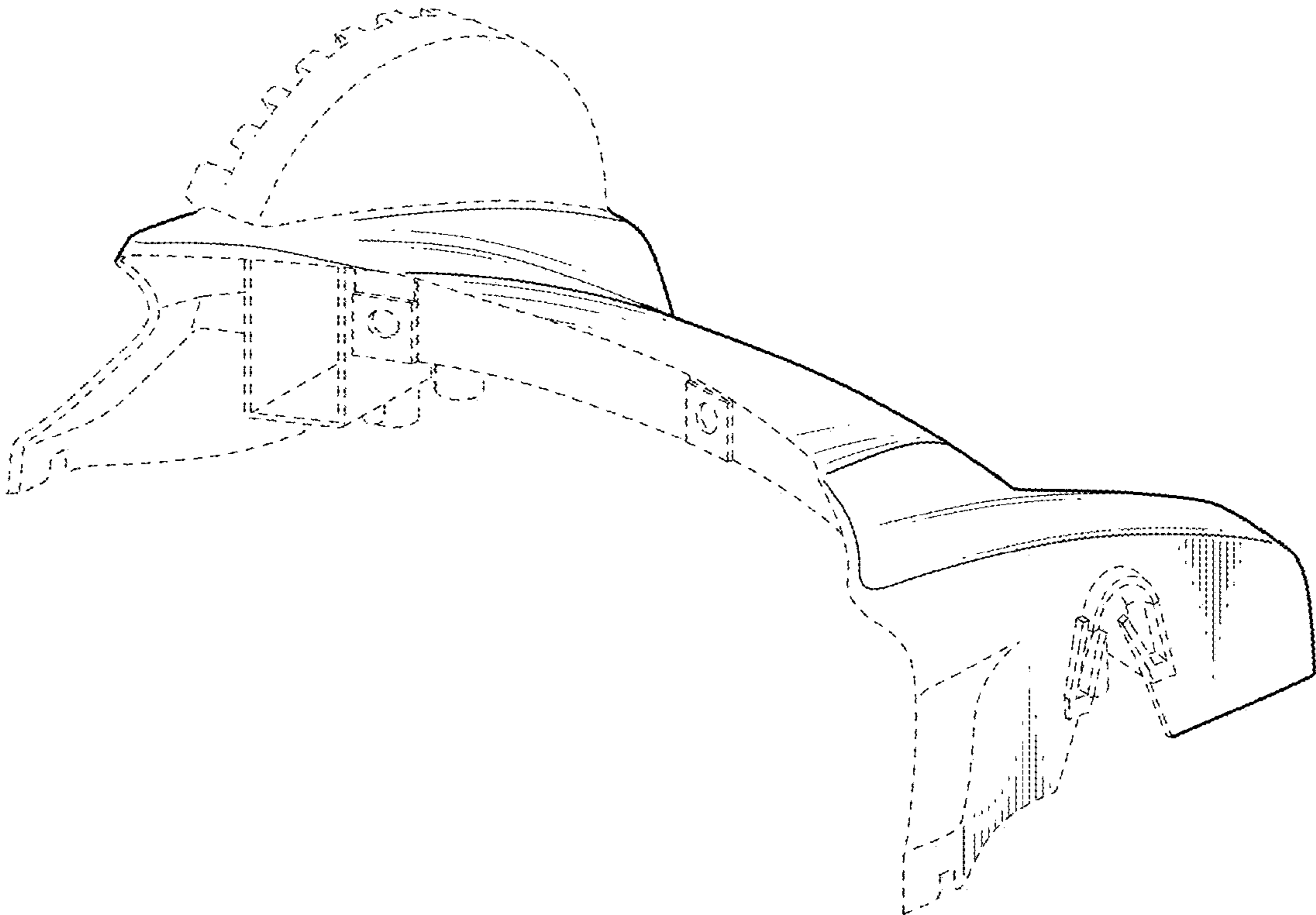


FIG. 5

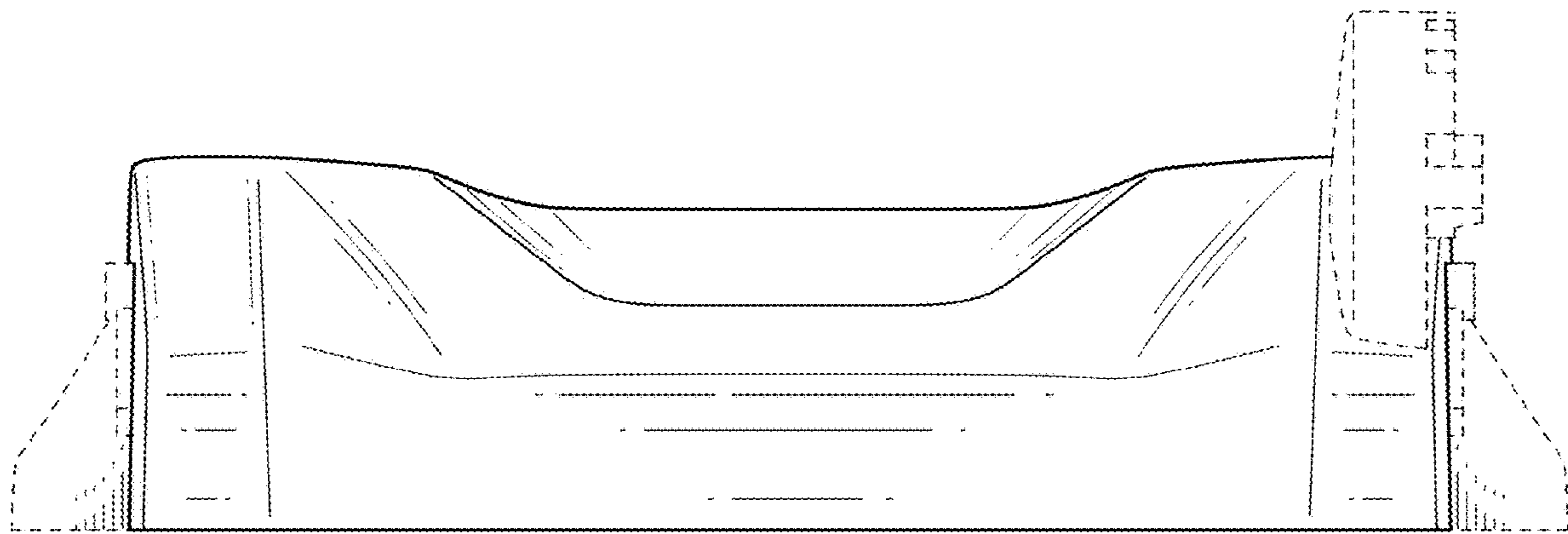


FIG. 6

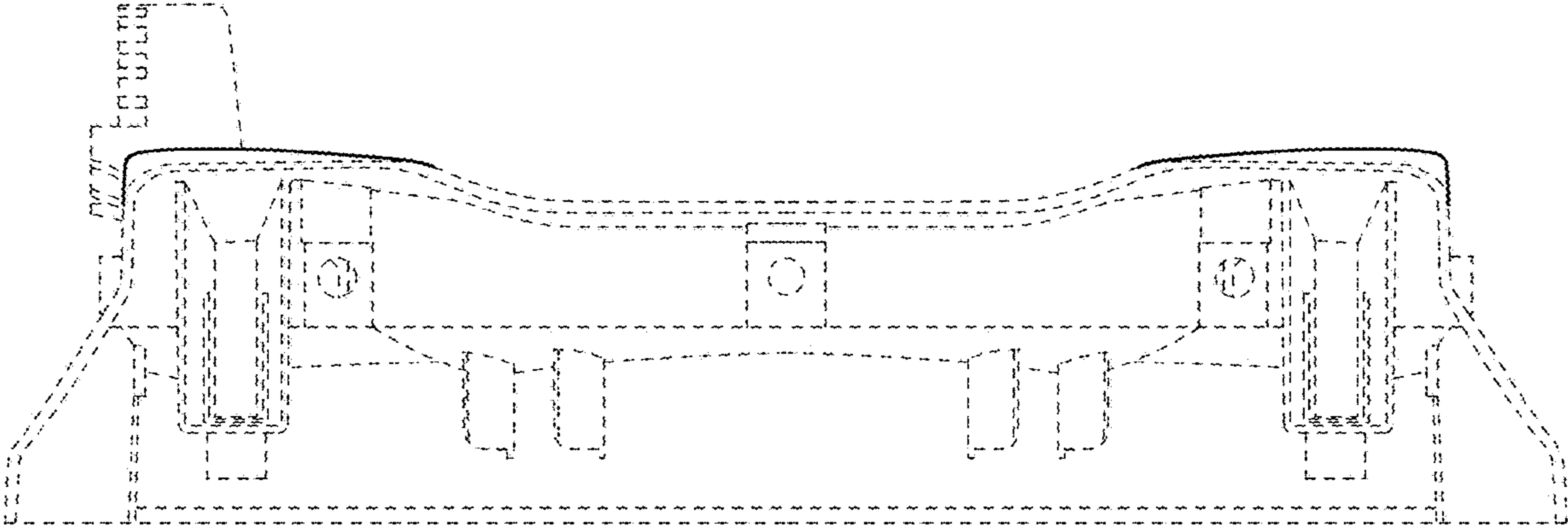


FIG. 7

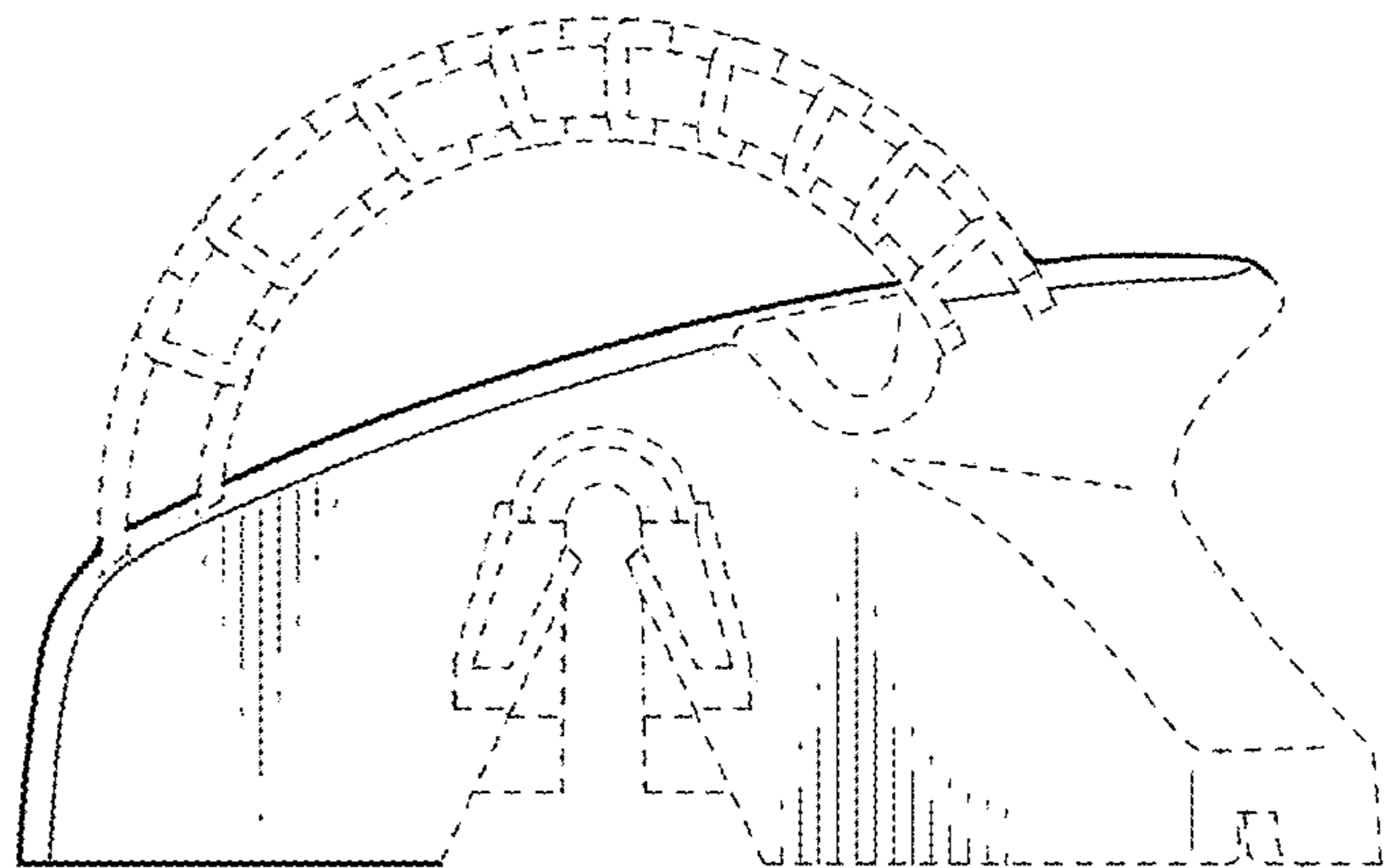


FIG. 8

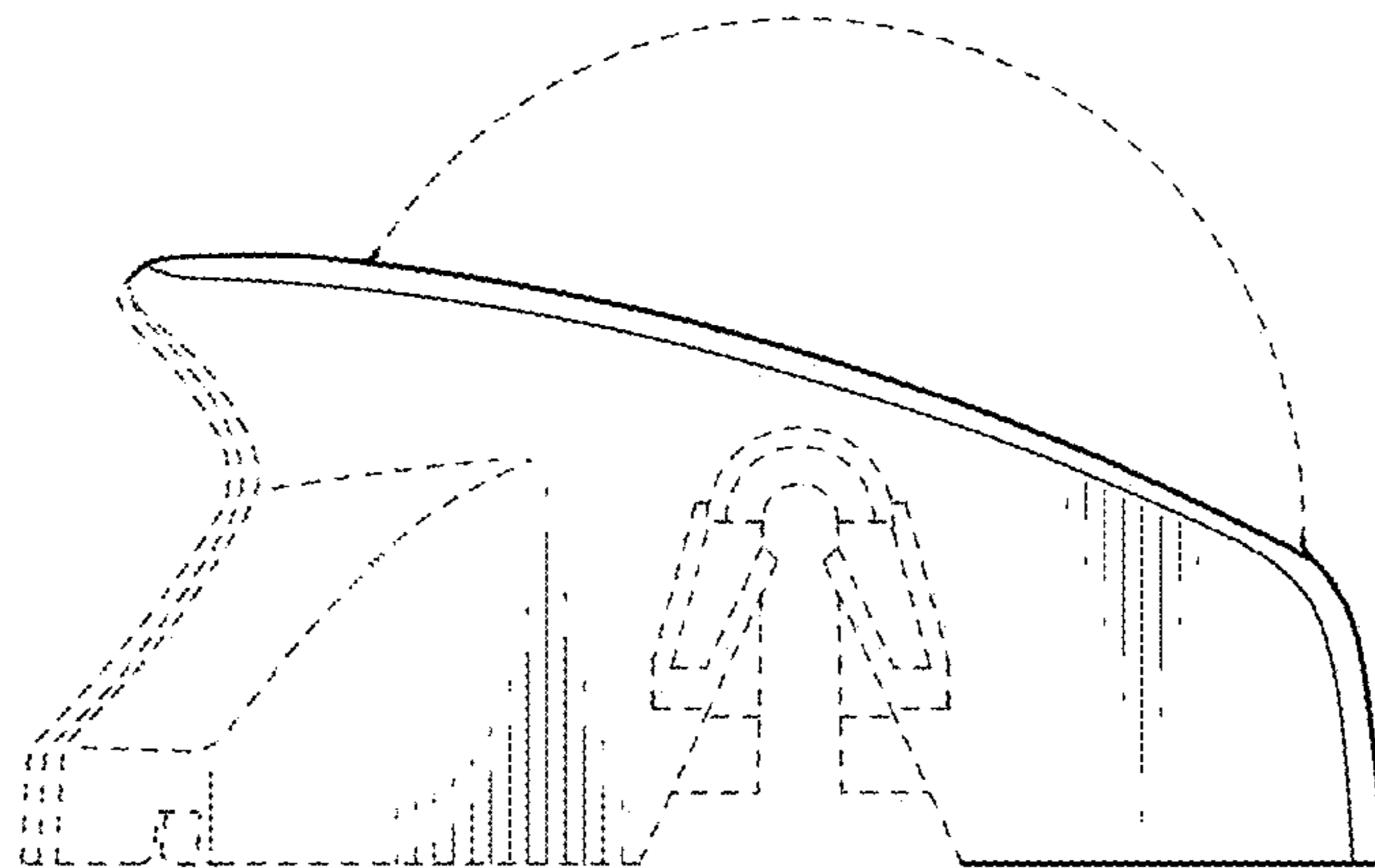


FIG. 9

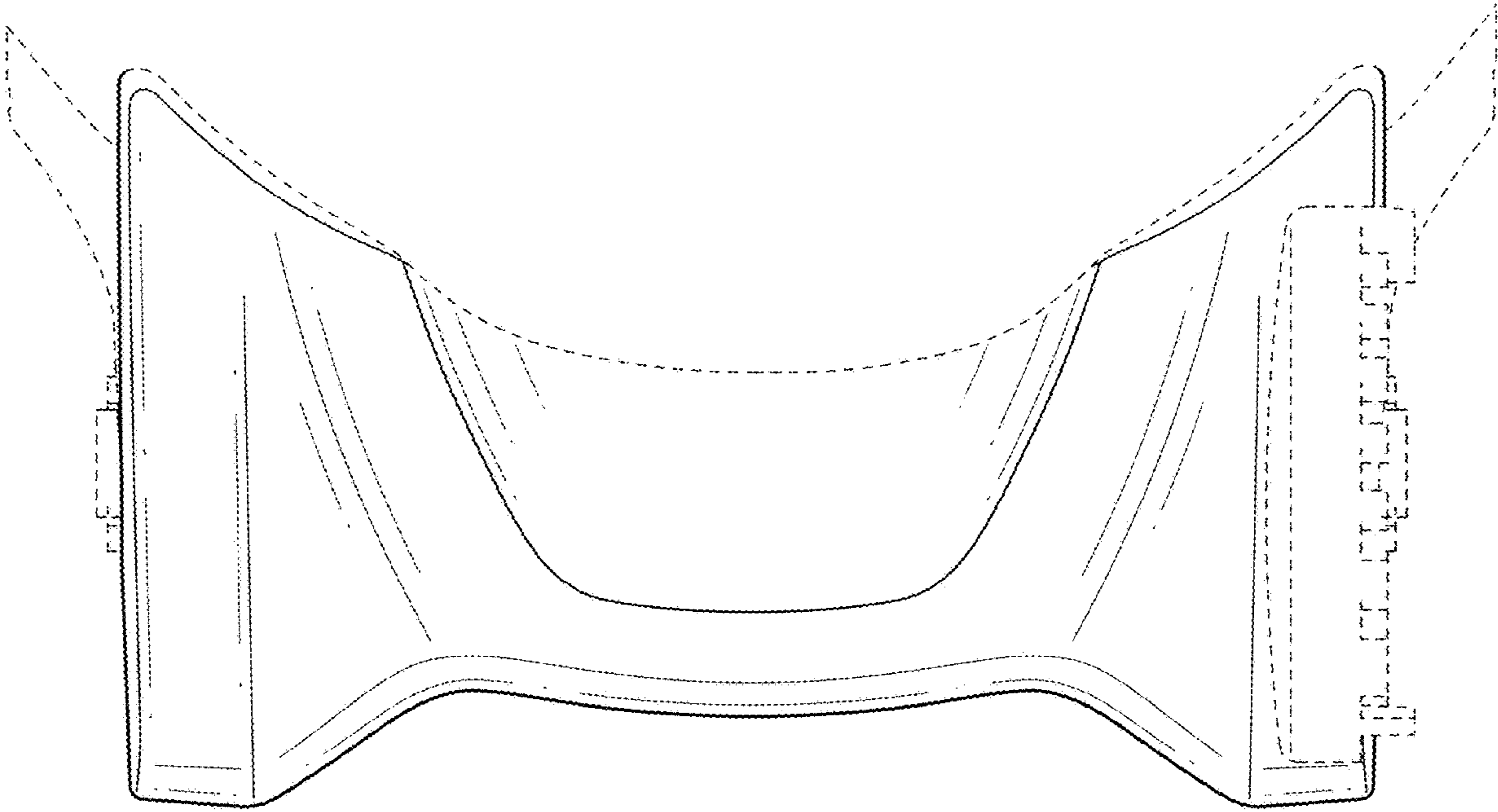


FIG. 10

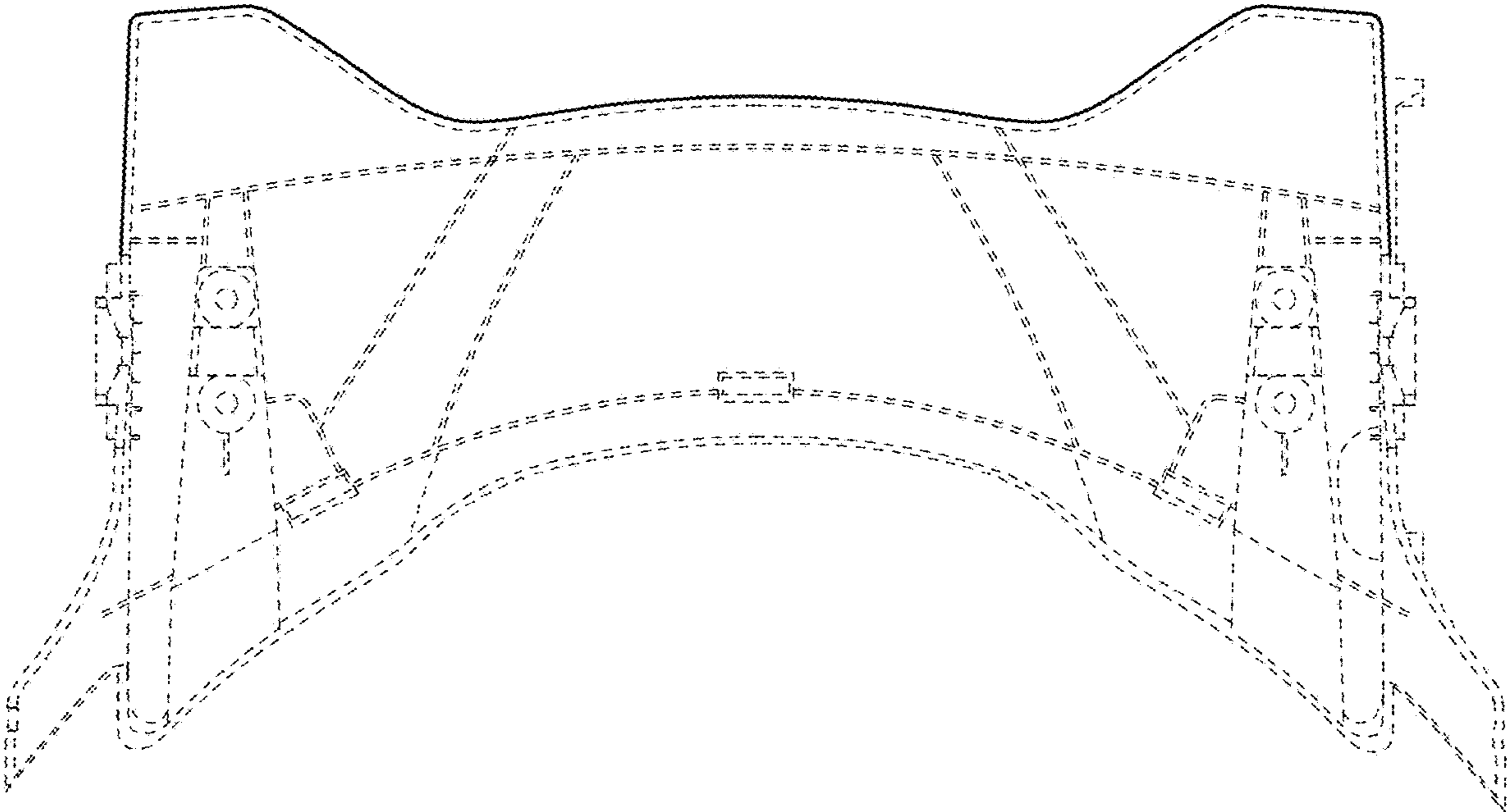


FIG. 11

