



US00D913334S

(12) **United States Design Patent**  
**Kuczmariski et al.**

(10) **Patent No.:** **US D913,334 S**  
(45) **Date of Patent:** **\*\* Mar. 16, 2021**

(54) **AIR INTAKE DEVICE FOR AN INTERNAL COMBUSTION ENGINE**

(71) Applicant: **Deere & Company**, Moline, IL (US)

(72) Inventors: **Emily K. Kuczmariski**, Parkersburg, IA (US); **Norman K. Keller**, Waterloo, IA (US); **Axel J. Hoogland**, Waterloo, IA (US); **Paul T. Bruss**, Cedar Falls, IA (US); **Michael J. Schuller**, Cedar Falls, IA (US); **Charles N. Warren**, Cedar Falls, IA (US); **Daniel K. Tweeton**, Eagan, MN (US); **Bradley J. Holman**, White Bear Lake, MN (US); **Patricia A. Cooley**, Farmington, MN (US); **Scott R. Banaszewski**, Circle Pines, MN (US); **Jason P. McConnell**, Minneapolis, MN (US); **Nathan D. Zambon**, Cedar Falls, IA (US)

(73) Assignee: **DEERE & COMPANY**, Moline, IL (US)

(\*\*) Term: **15 Years**

(21) Appl. No.: **29/698,215**

(22) Filed: **Jul. 15, 2019**

(51) **LOC (13) Cl.** ..... **15-01**

(52) **U.S. Cl.**  
USPC ..... **D15/5**

(58) **Field of Classification Search**  
USPC ..... D15/1-6; D12/194, 400  
CPC ..... E02F 9/166; F02F 7/006; F02M 35/10144  
See application file for complete search history.

(56) **References Cited**

U.S. PATENT DOCUMENTS

D528,129 S \* 9/2006 Huang ..... D15/5  
D532,795 S \* 11/2006 Quezada ..... D15/5

8,429,896 B2 4/2013 Pekrul et al.  
D708,231 S \* 7/2014 Niakan ..... D15/5  
D749,134 S \* 2/2016 Niakan ..... D15/5  
D754,208 S \* 4/2016 Niakan ..... D15/5  
D762,247 S \* 7/2016 Niakan ..... D15/5  
D762,735 S \* 8/2016 Niakan ..... D15/5  
D762,736 S \* 8/2016 Niakan ..... D15/5  
D886,867 S \* 6/2020 Niakan ..... D15/5  
D886,868 S \* 6/2020 Niakan ..... D15/5  
D886,869 S \* 6/2020 Niakan ..... D15/5  
2006/0196462 A1\* 9/2006 Quezada ..... F02M 35/10144  
123/184.21

(Continued)

*Primary Examiner* — Susan E Krakower

*Assistant Examiner* — Jerry Shiuan-Hua Hsu

(74) *Attorney, Agent, or Firm* — Klintworth & Rozenblat  
IP LLP

(57) **CLAIM**

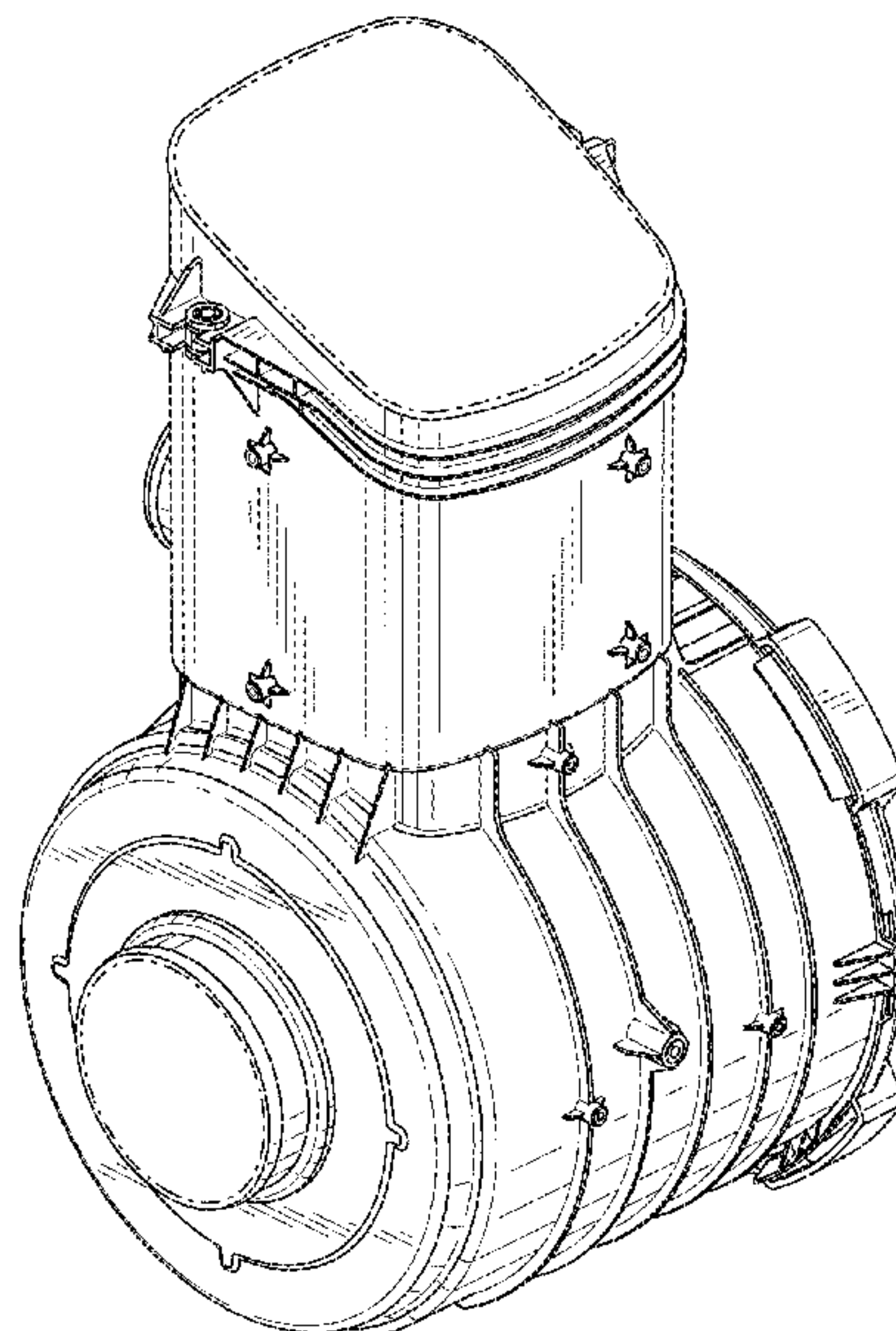
The ornamental design for an air intake device for an internal combustion engine, as shown and described.

**DESCRIPTION**

FIG. 1 is a perspective view showing an air intake device for an internal combustion engine according to our new design; FIG. 2 is a left side elevational view thereof; FIG. 3 is a right side elevational view thereof, opposite the first side elevational view of FIG. 2; FIG. 4 is a front end elevational view thereof; FIG. 5 is a rear end elevational view thereof, opposite the first end elevational view of FIG. 4; FIG. 6 is a top plan view thereof; and, FIG. 7 is a bottom plan view thereof, opposite the first plan view of FIG. 6.

The dashed broken lines illustrate portions of the air intake device for an internal combustion engine that form no part of the claimed design. The dot-dash broken lines depict boundary lines and form no part of the claimed design.

**1 Claim, 7 Drawing Sheets**



(56)

**References Cited**

U.S. PATENT DOCUMENTS

2012/0073539 A1\* 3/2012 Lee ..... F02F 7/006  
123/198 E  
2016/0289921 A1\* 10/2016 Liu ..... E02F 9/166

\* cited by examiner

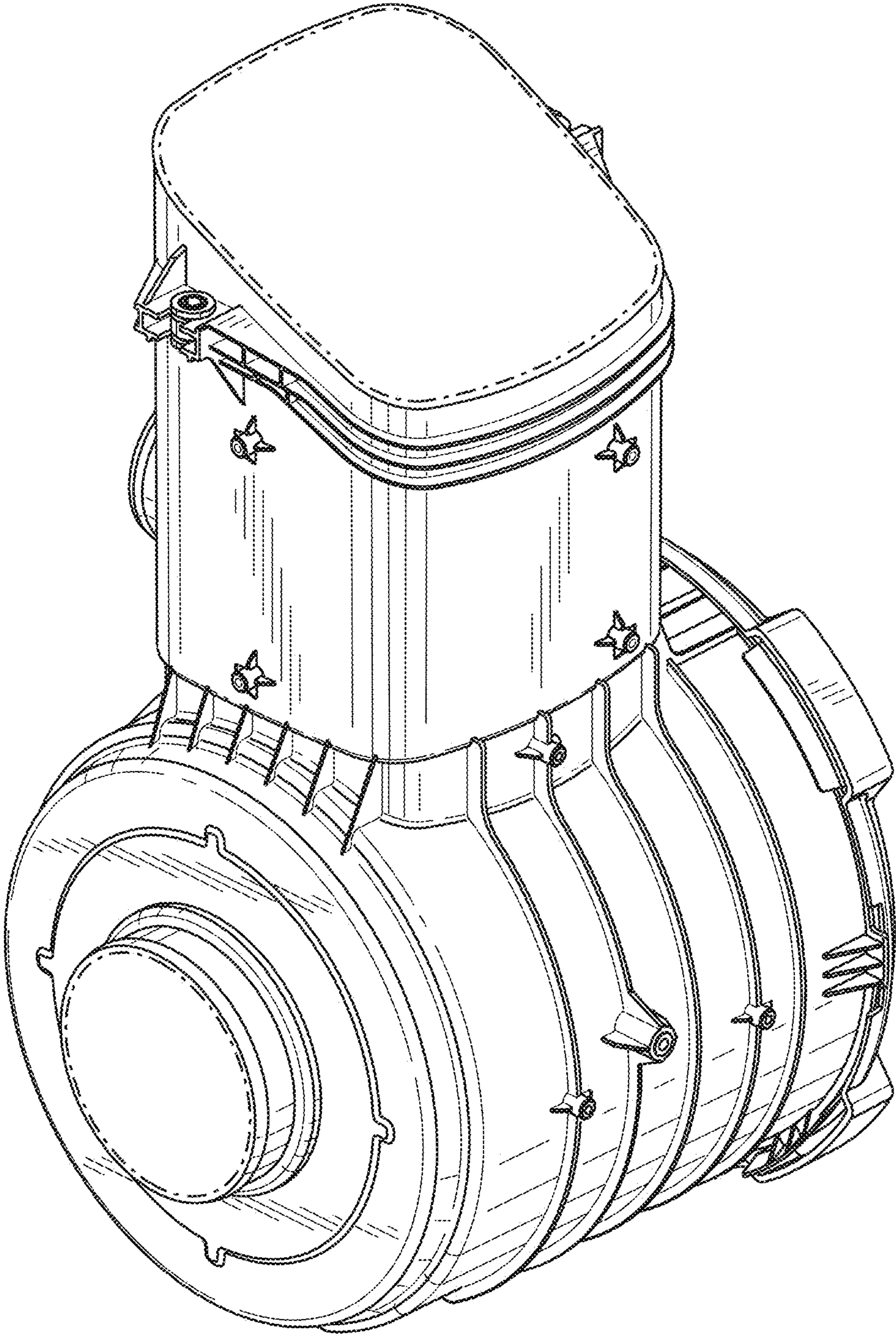


FIG. 1



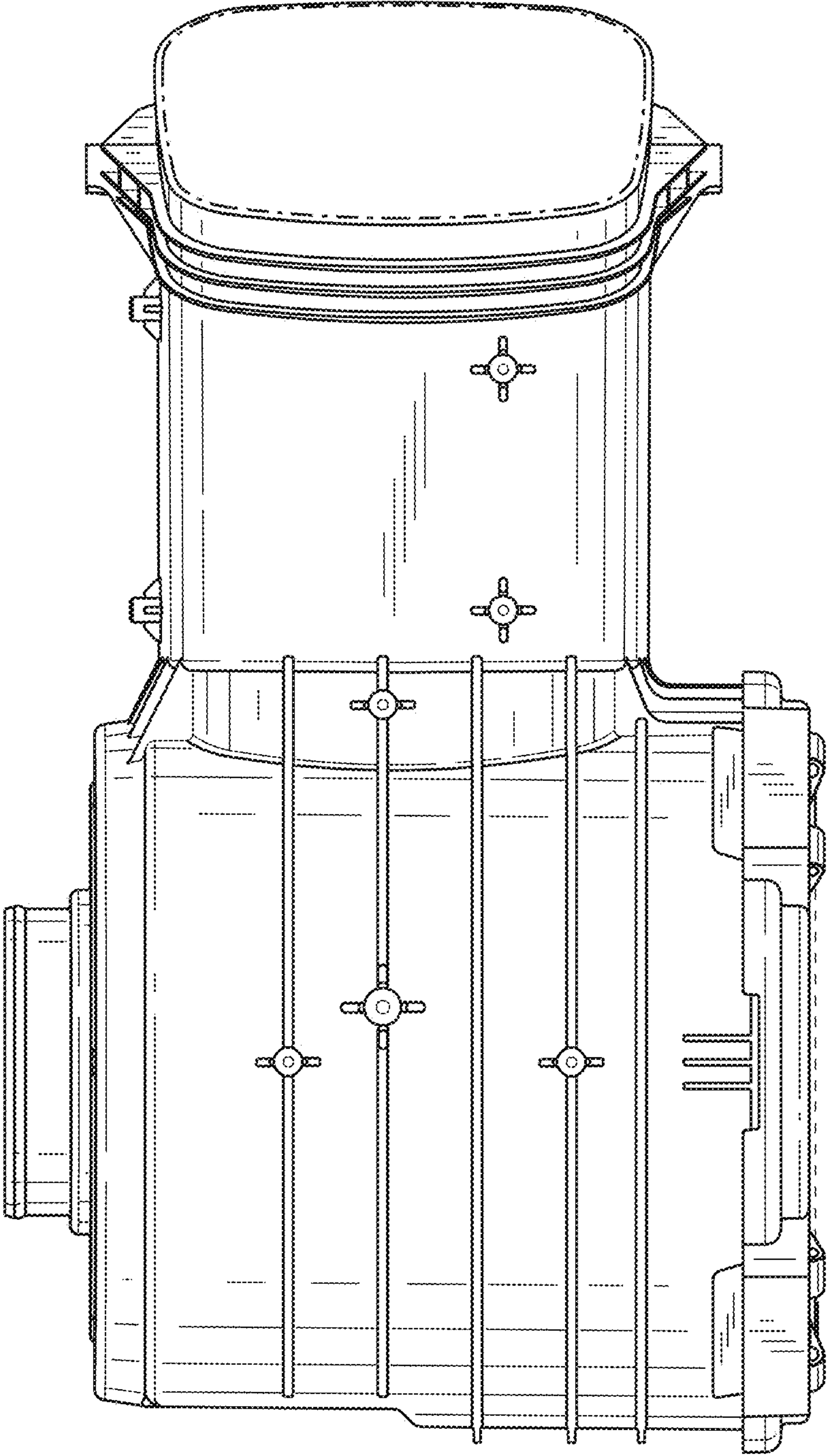


FIG. 2

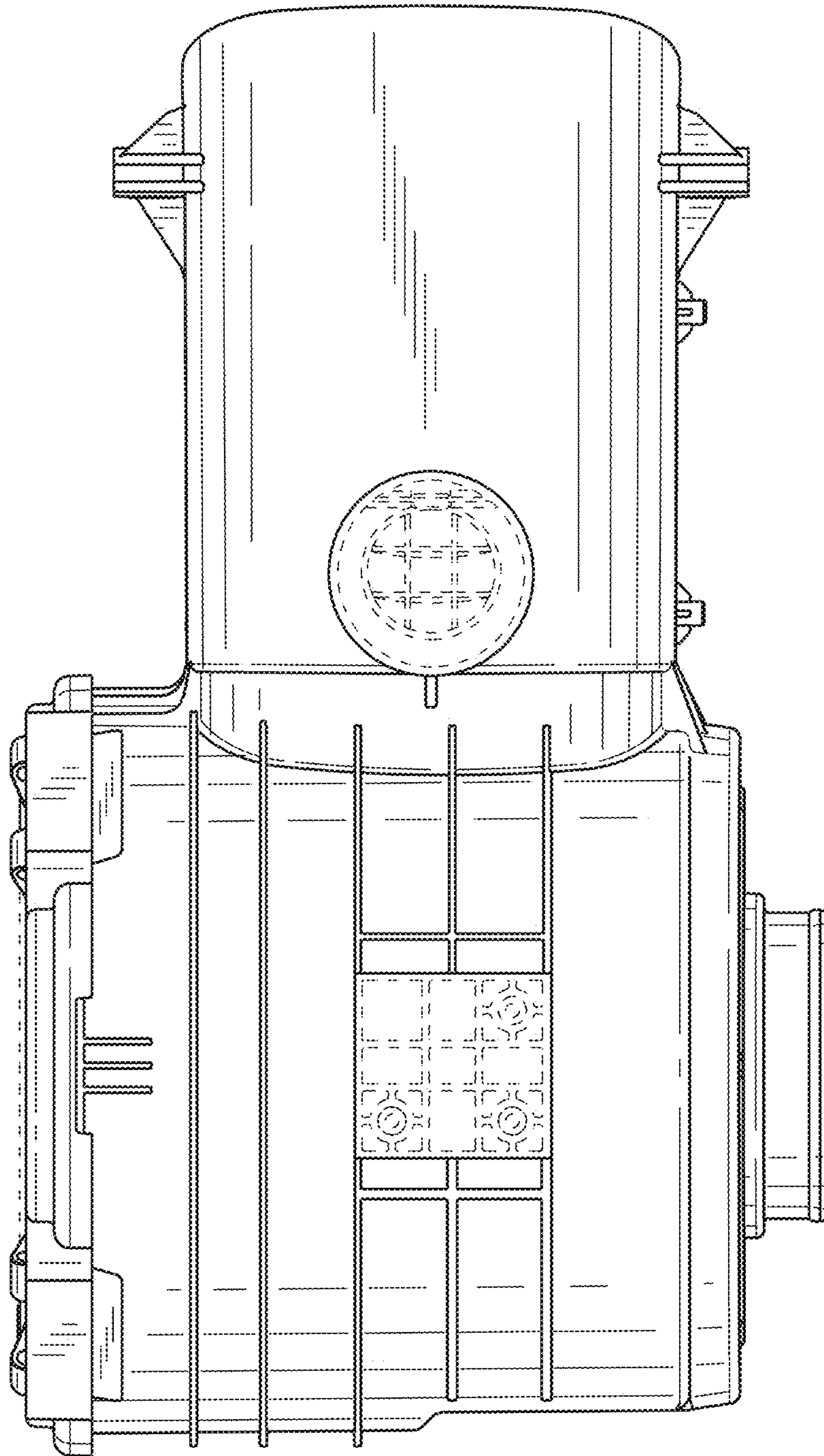


FIG. 3

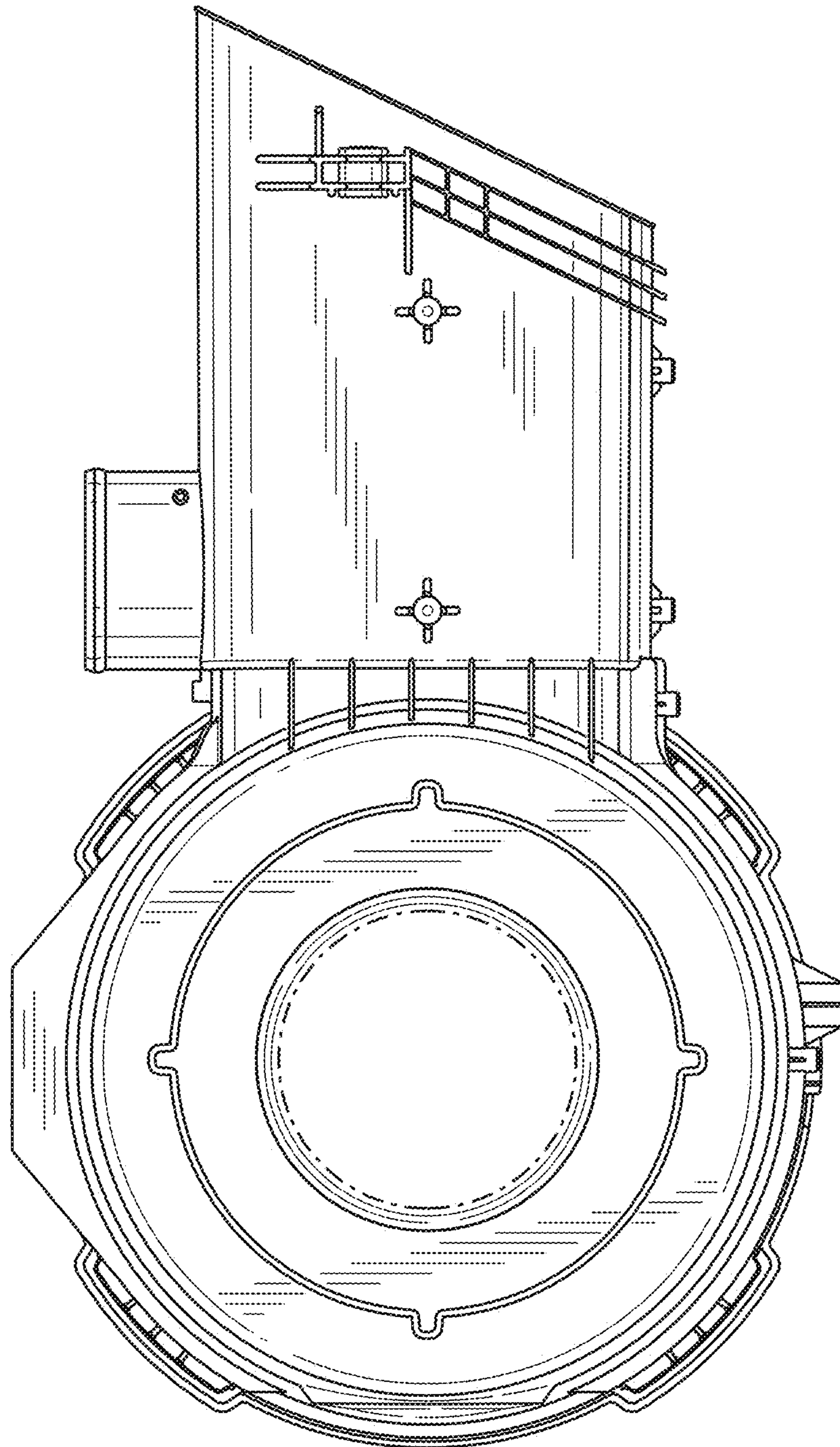


FIG. 4



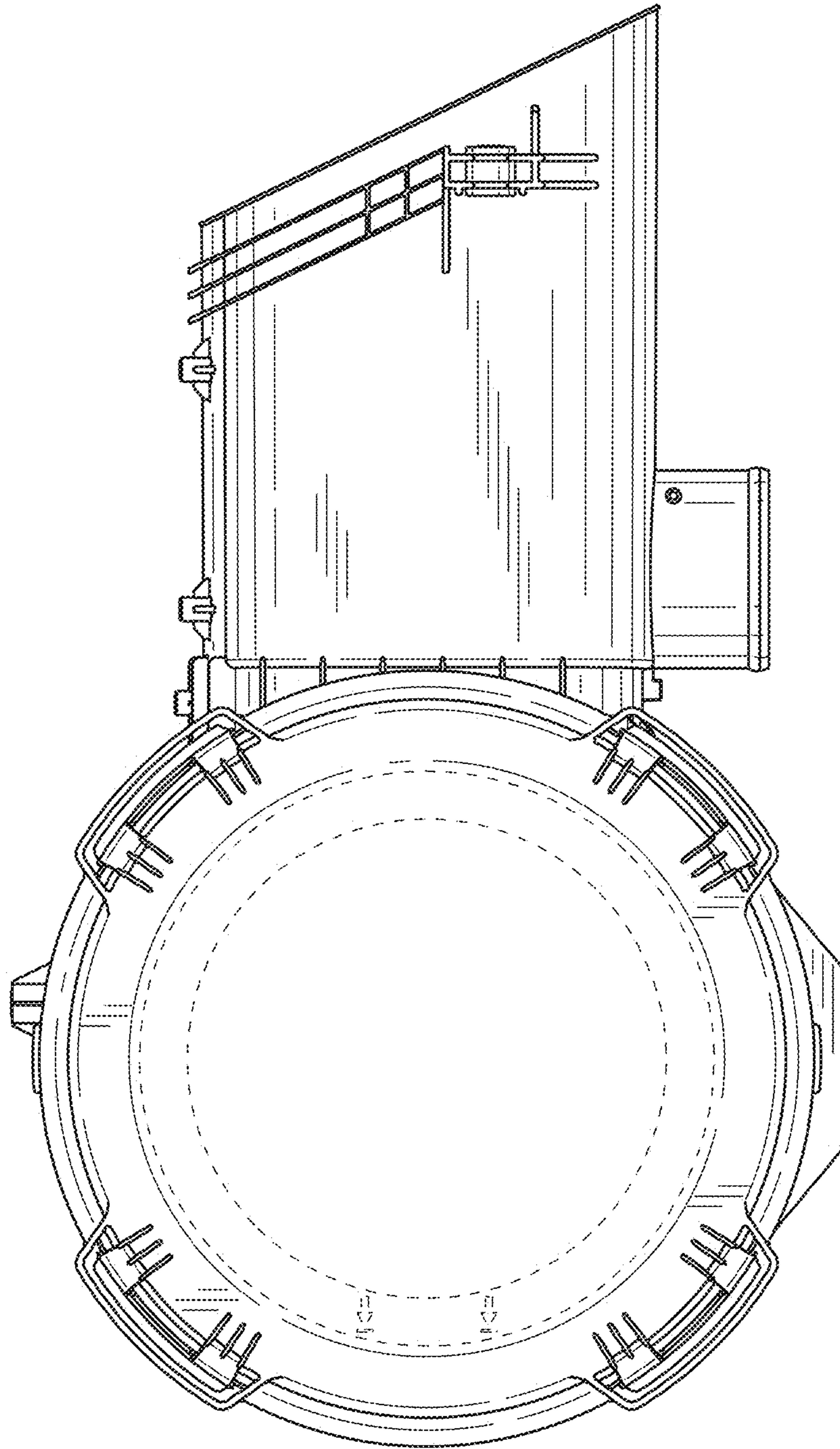


FIG. 5

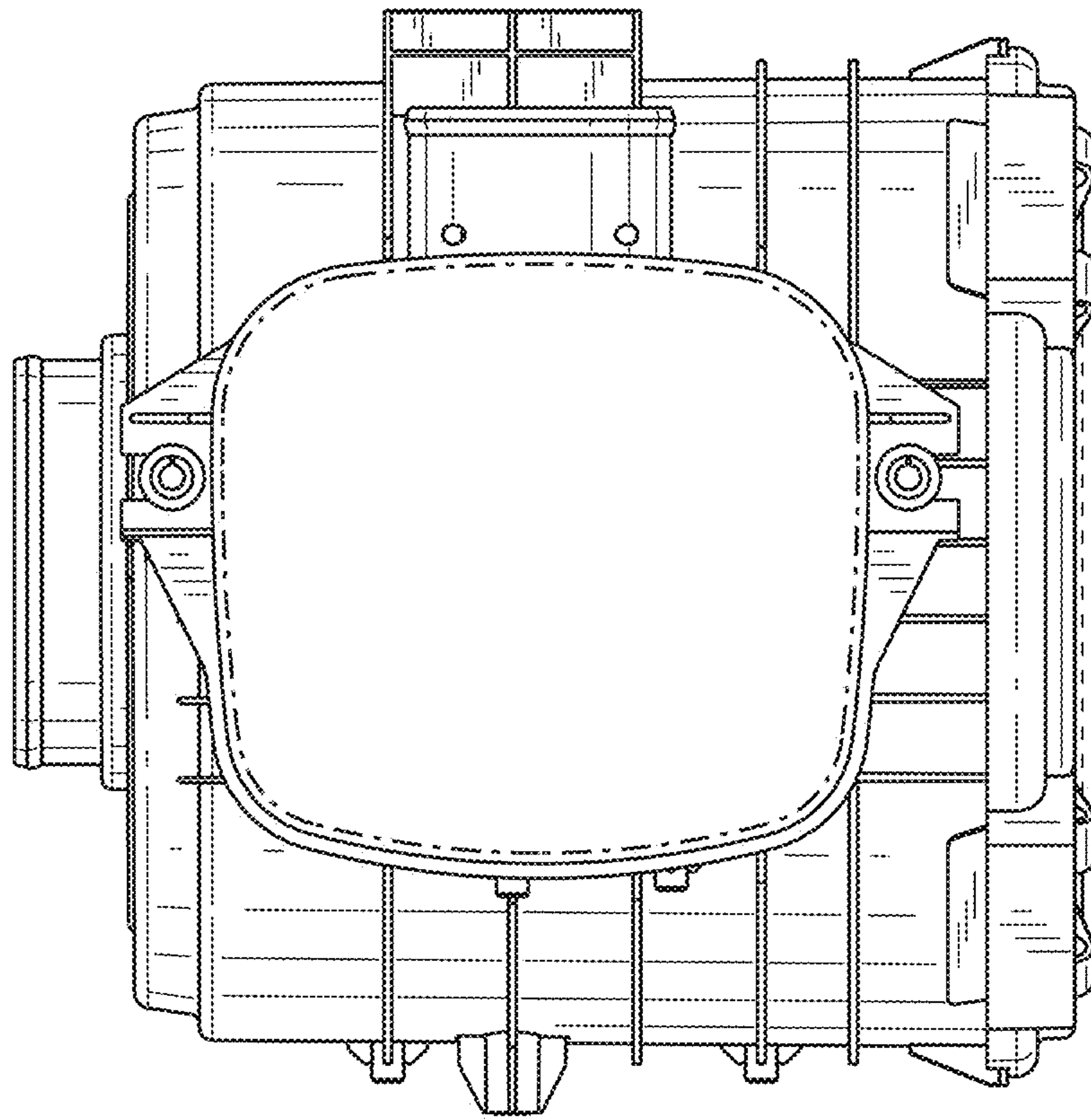


FIG. 6



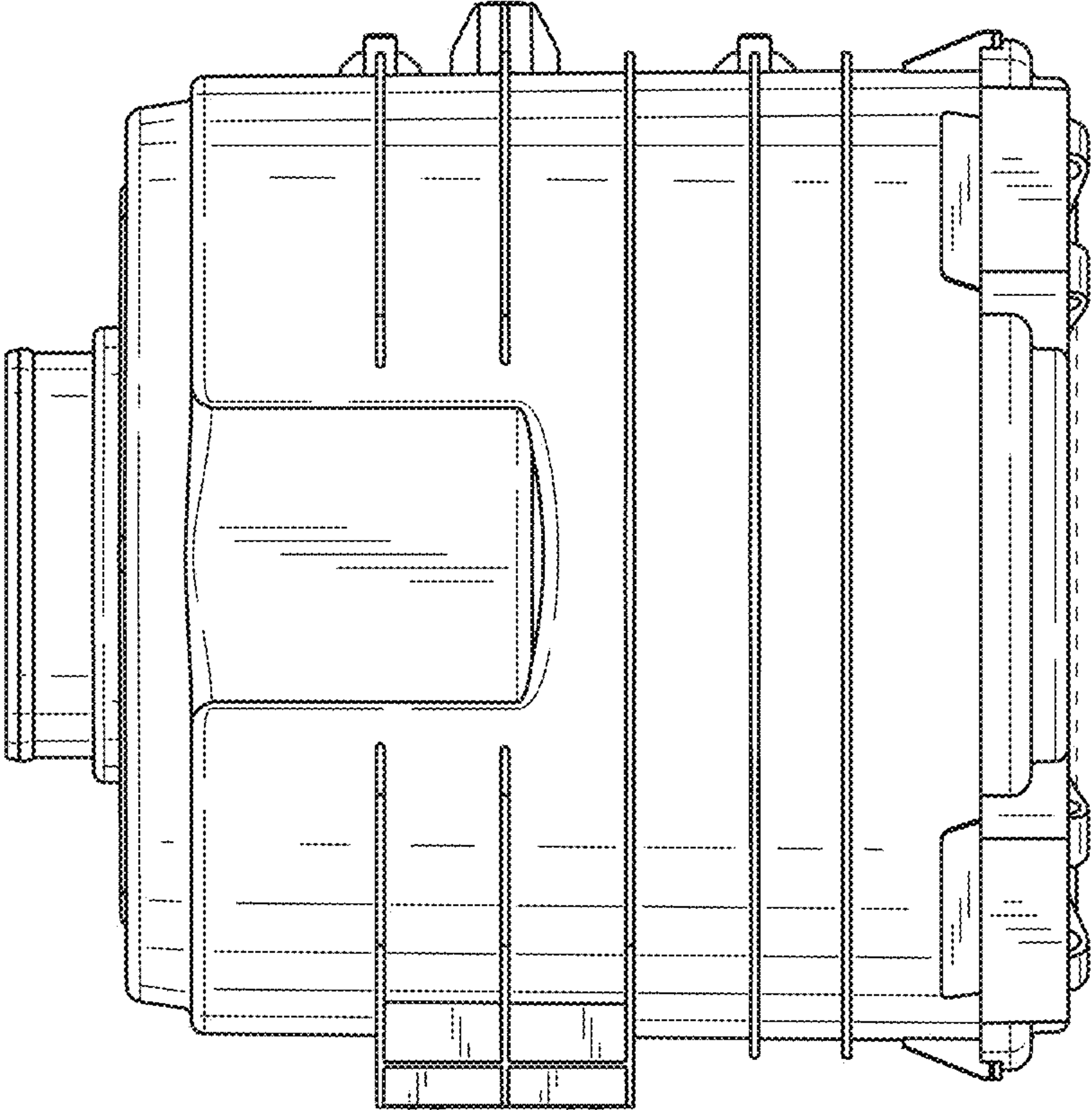


FIG. 7