



US00D913333S

(12) **United States Design Patent**
Mildh

(10) **Patent No.:** **US D913,333 S**

(45) **Date of Patent:** **** Mar. 16, 2021**

(54) **OIL CAP**

(71) Applicant: **Andre Mildh**, San Diego, CA (US)

(72) Inventor: **Andre Mildh**, San Diego, CA (US)

(**) Term: **15 Years**

(21) Appl. No.: **29/686,249**

(22) Filed: **Apr. 3, 2019**

(51) **LOC (13) Cl.** **15-01**

(52) **U.S. Cl.**
USPC **D15/5**

(58) **Field of Classification Search**
USPC D15/5; D23/259, 260, 261, 262, 263,
D23/264, 265; D9/453; D12/197
CPC ... B67D 7/565; G01F 23/56; Y10T 137/7287;
F01M 13/00; F01M 13/0011; F01M
2013/0077; F01M 2011/0491
See application file for complete search history.

(56) **References Cited**

U.S. PATENT DOCUMENTS

D348,645 S *	7/1994	Hitchcock	D12/197
D665,426 S *	8/2012	Tiefenthaler	D15/5
D721,423 S *	1/2015	Jacques	D23/260
10,590,846 B2 *	3/2020	Vericker	F02B 77/08
2006/0185763 A1 *	8/2006	Rosenbaum	F01M 11/0408 141/338
2008/0121199 A1 *	5/2008	Harbert	F02P 15/02 123/90.38
2013/0276742 A1 *	10/2013	Mallett	F01M 7/00 123/196 R

OTHER PUBLICATIONS

Quick vent scavenger oil cap for Honda/Nissan—Purple <https://level7performance.com/?product=quick-vent-scavenger-oil-cap-for-honda-nissan-purple> (Year: 2020).*
L Seven Performance <https://level7performance.com/> (Year: 2020).*

* cited by examiner

Primary Examiner — Ania Aman

(74) *Attorney, Agent, or Firm* — Buche & Associates, P.C.; John K. Buche; Bryce Johnson

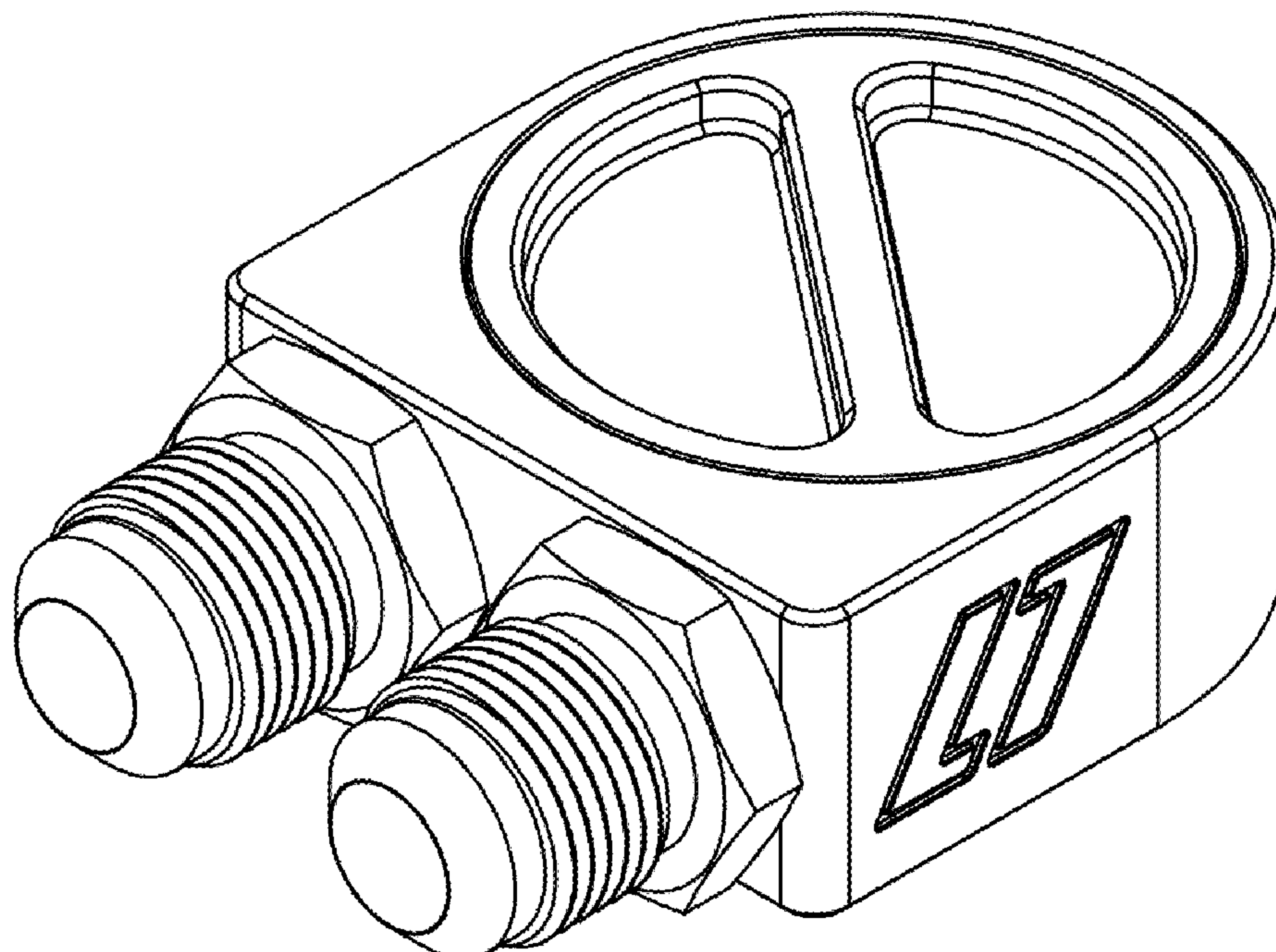
(57) **CLAIM**

I claim the ornamental design for an oil cap, as shown and described.

DESCRIPTION

FIG. 1 is a perspective view of an oil cap;
FIG. 2 is another perspective view of the oil cap;
FIG. 3 is a right-side view of the oil cap;
FIG. 4 is a front view of the oil cap;
FIG. 5 is a top view of the oil cap;
FIG. 6 is a left-side view of the oil cap;
FIG. 7 is a bottom view of the oil cap;
FIG. 8 is another left-side view of the oil cap;
FIG. 9 is a cross-section view of the oil cap along the lines of FIG. 8;
FIG. 10 is another top view of the oil cap;
FIG. 11 is a cross-section view at the oil cap along the lines of FIG. 10;
FIG. 12 is an exploded view of the oil cap;
FIG. 13 is another exploded view of the oil cap;
FIG. 14 is an environmental view of the oil cap; and,
FIG. 15 is another environmental view of the oil cap.
In the drawings, the broken lines depict environmental subject matter only and form no part of the claimed design.

1 Claim, 7 Drawing Sheets



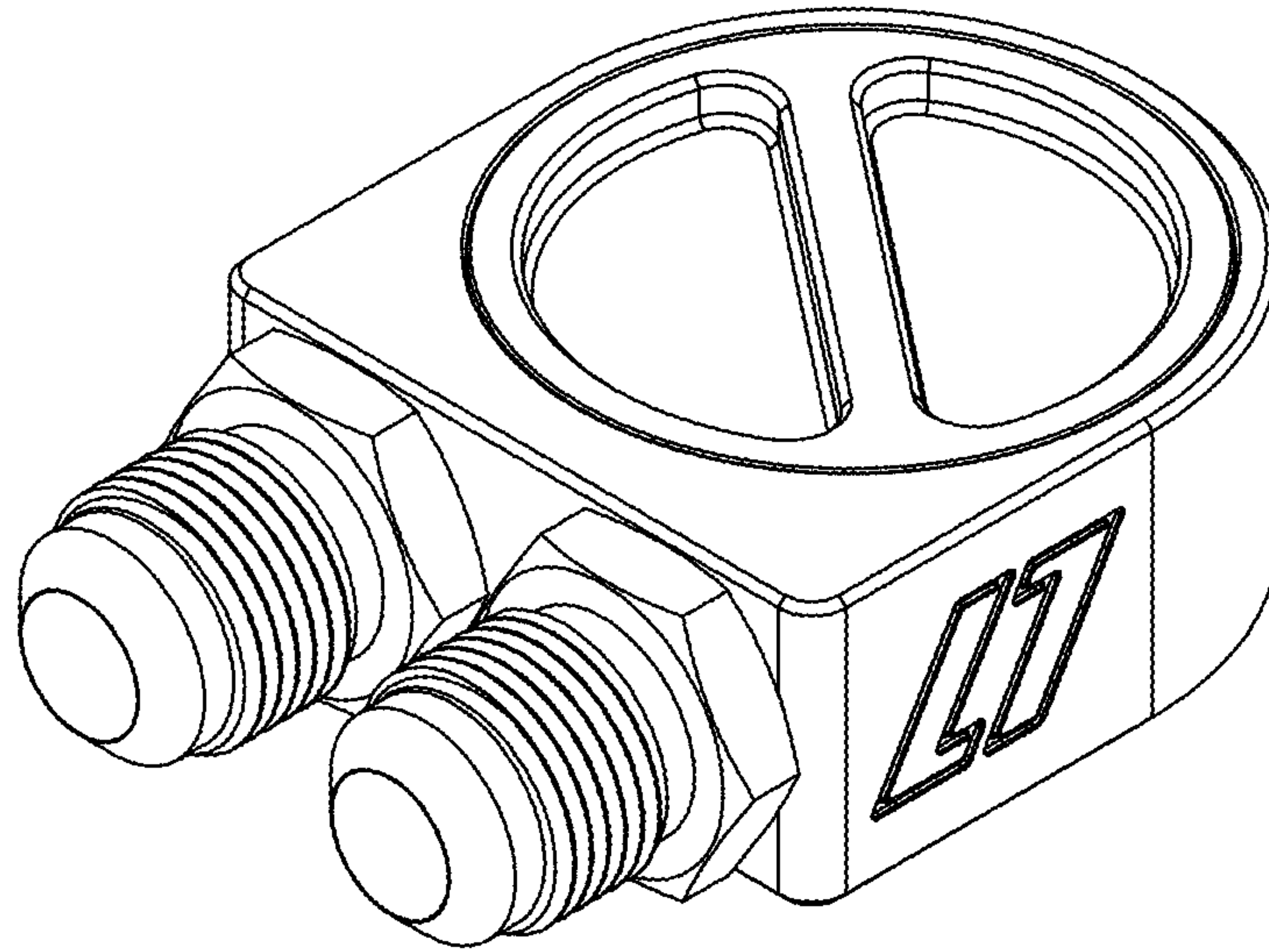


FIG. 1

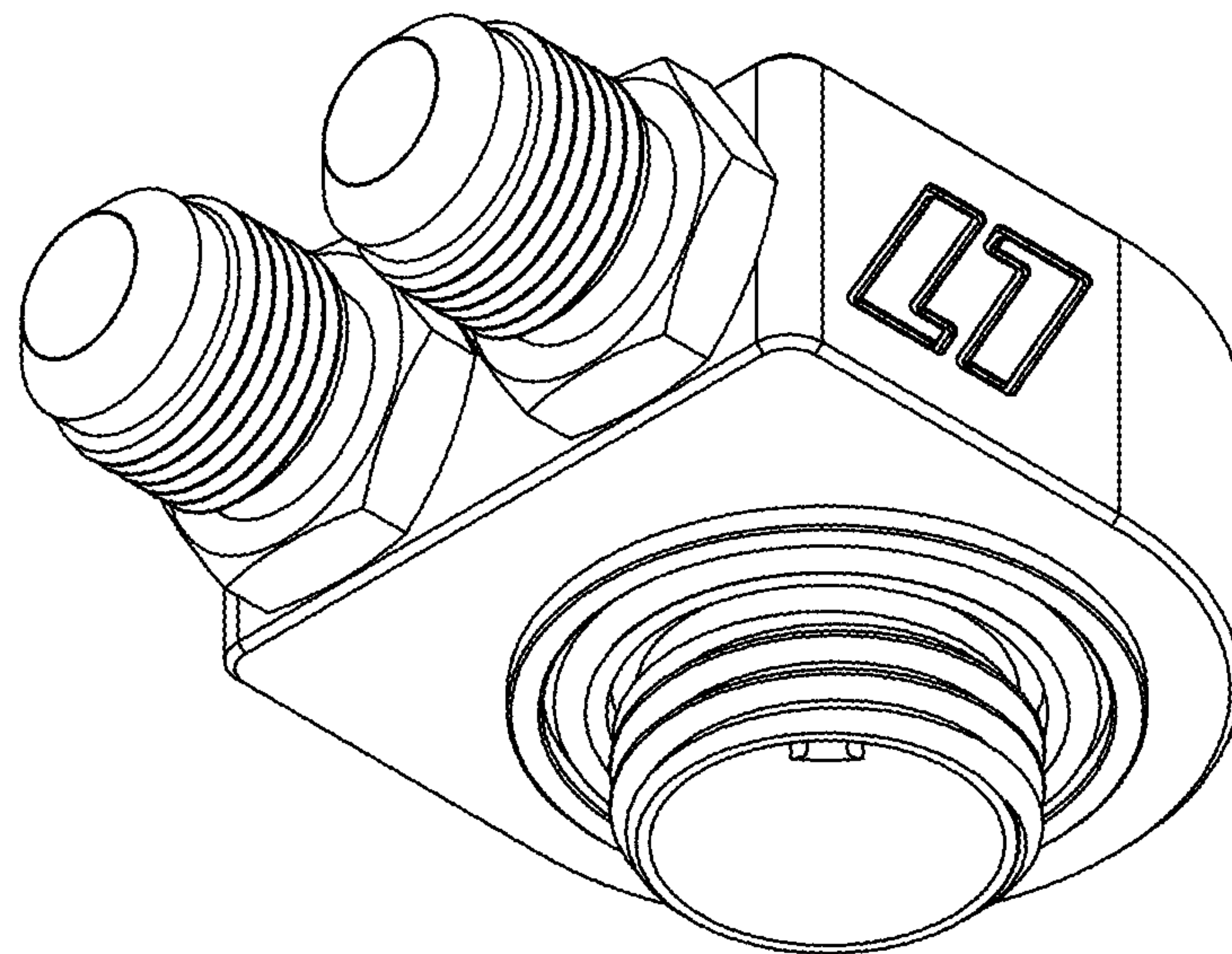


FIG. 2

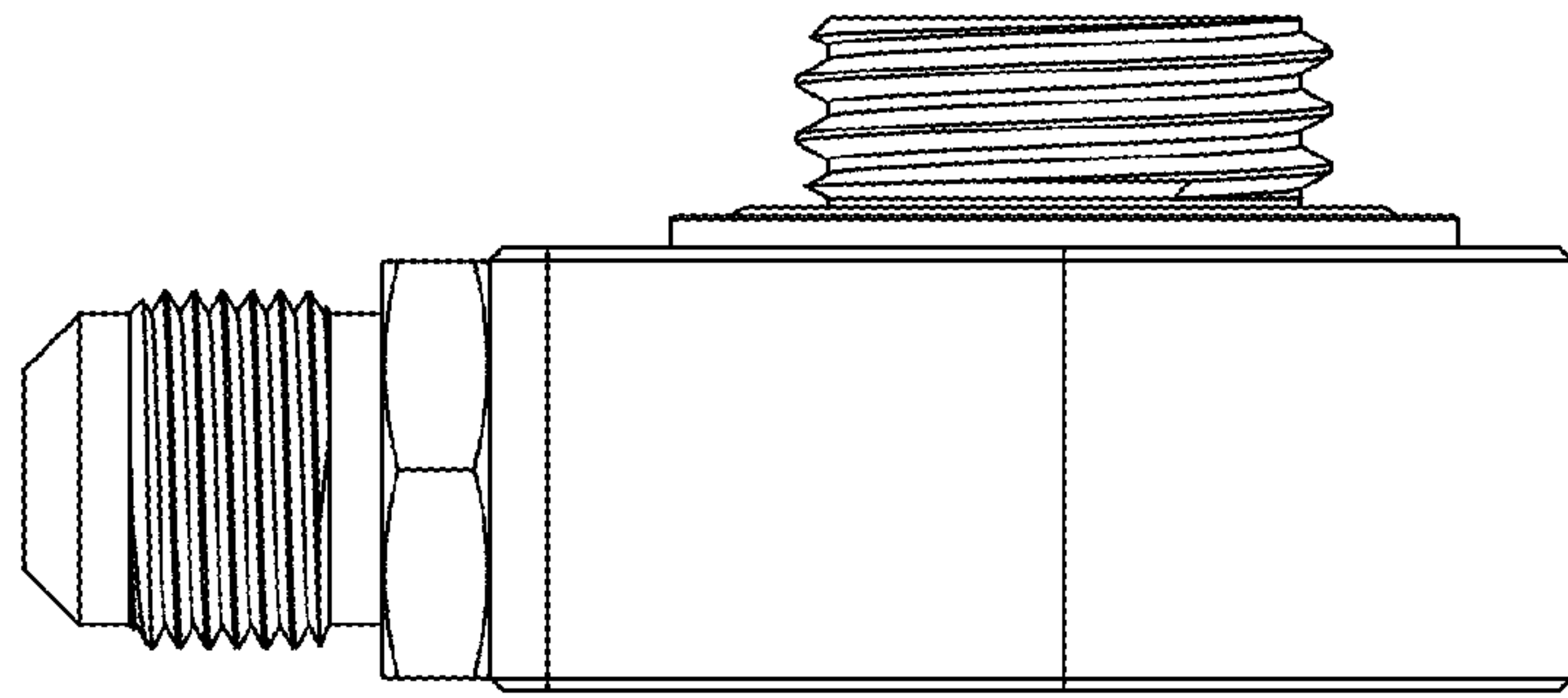


FIG. 3

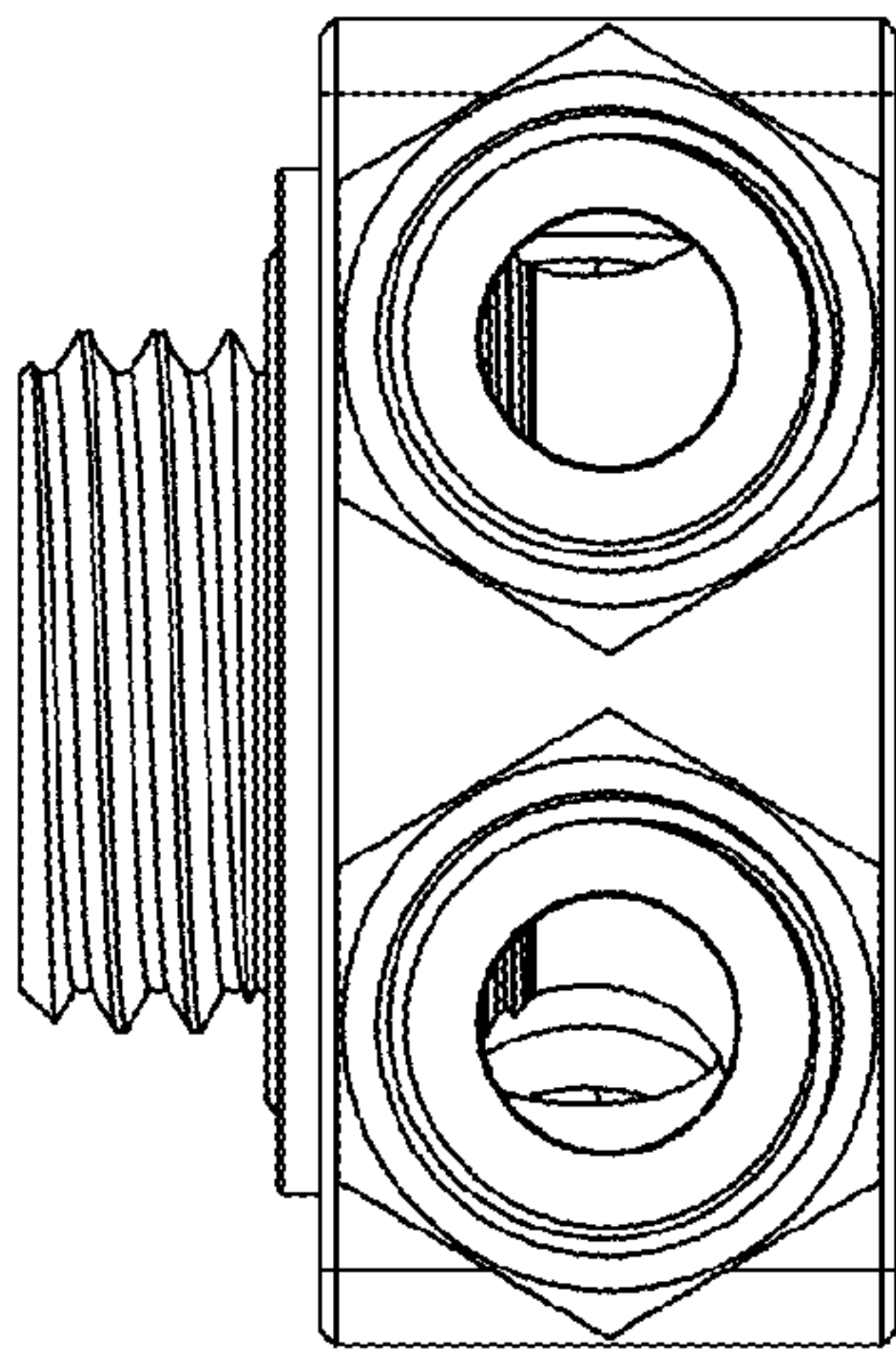


FIG. 4

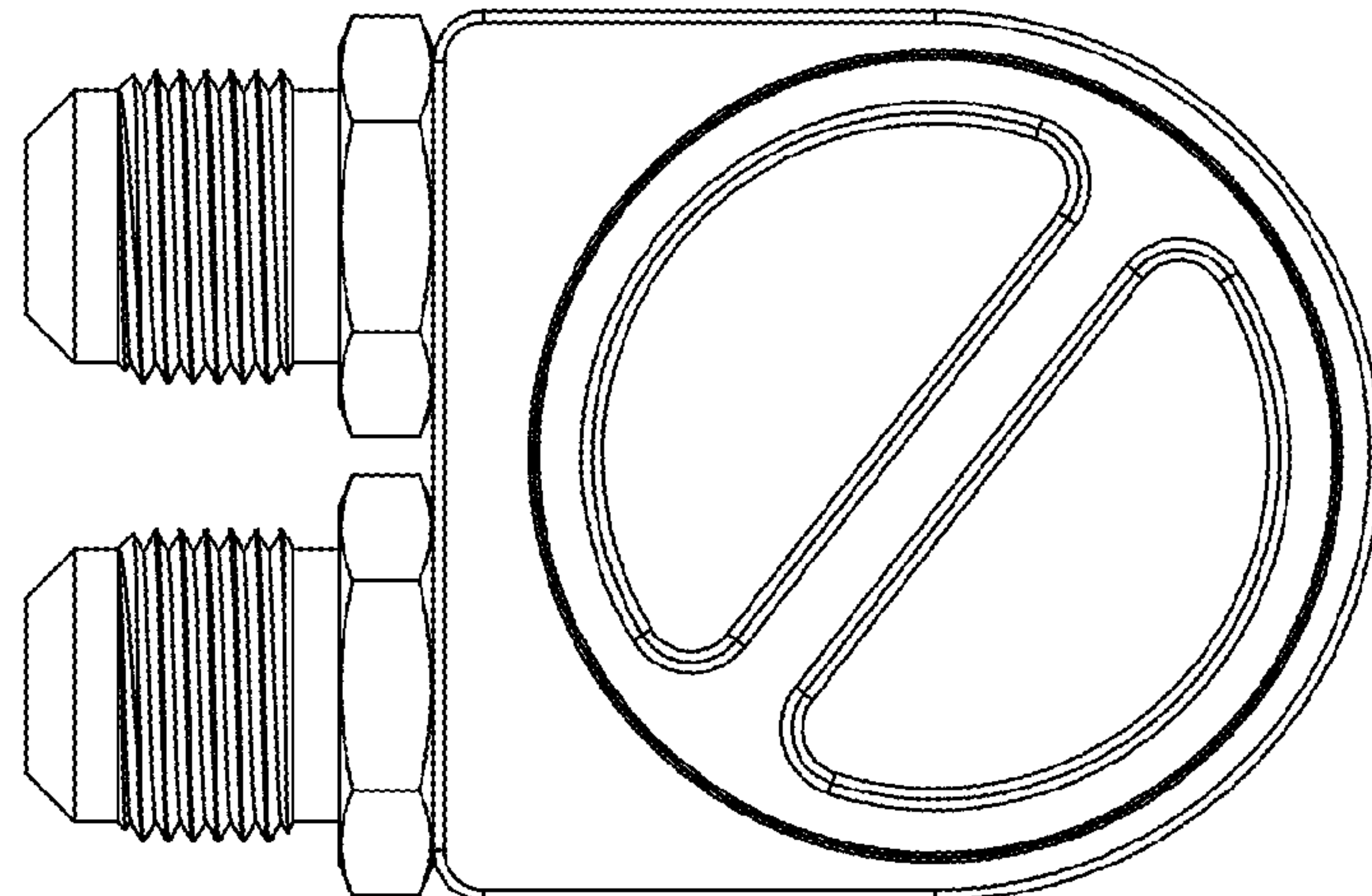


FIG. 5

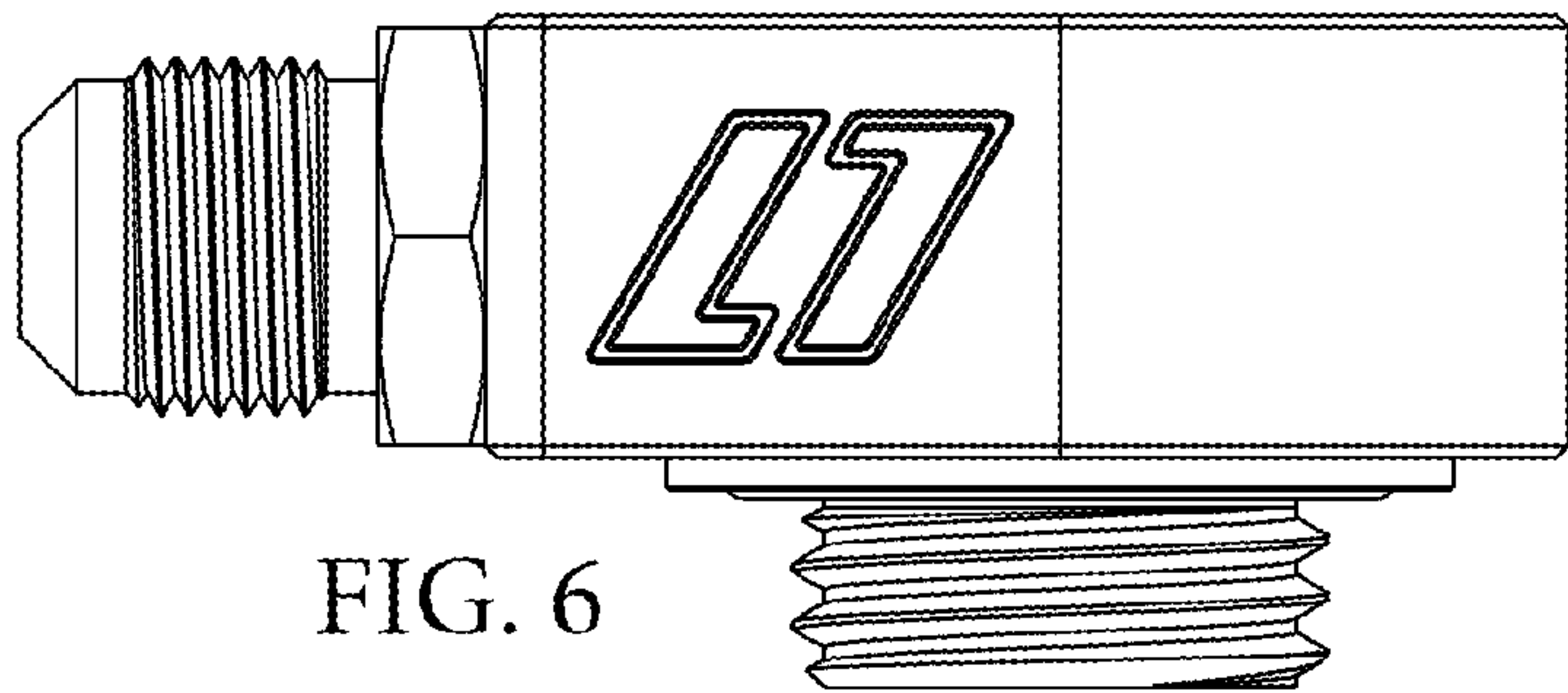


FIG. 6

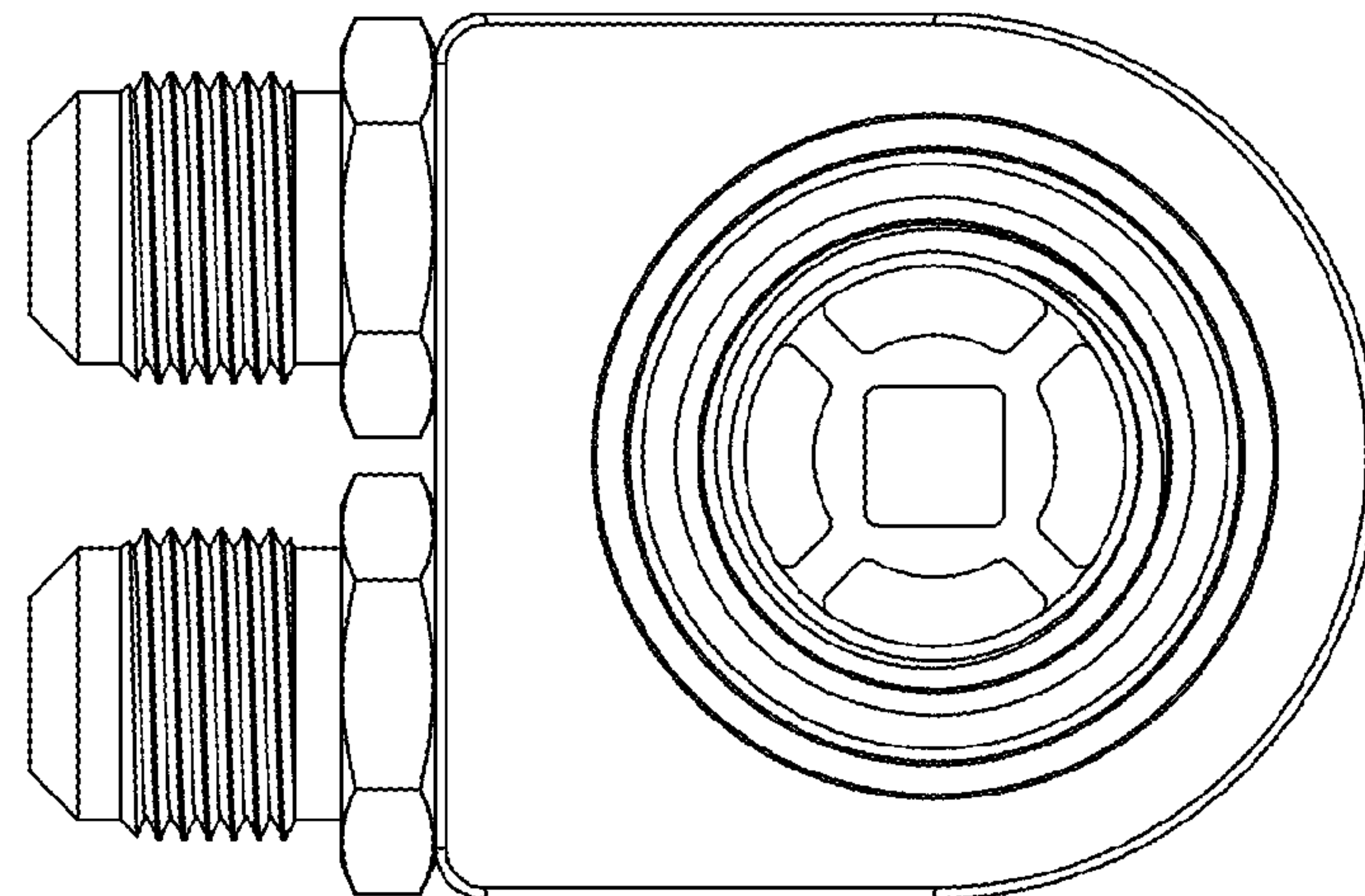


FIG. 7

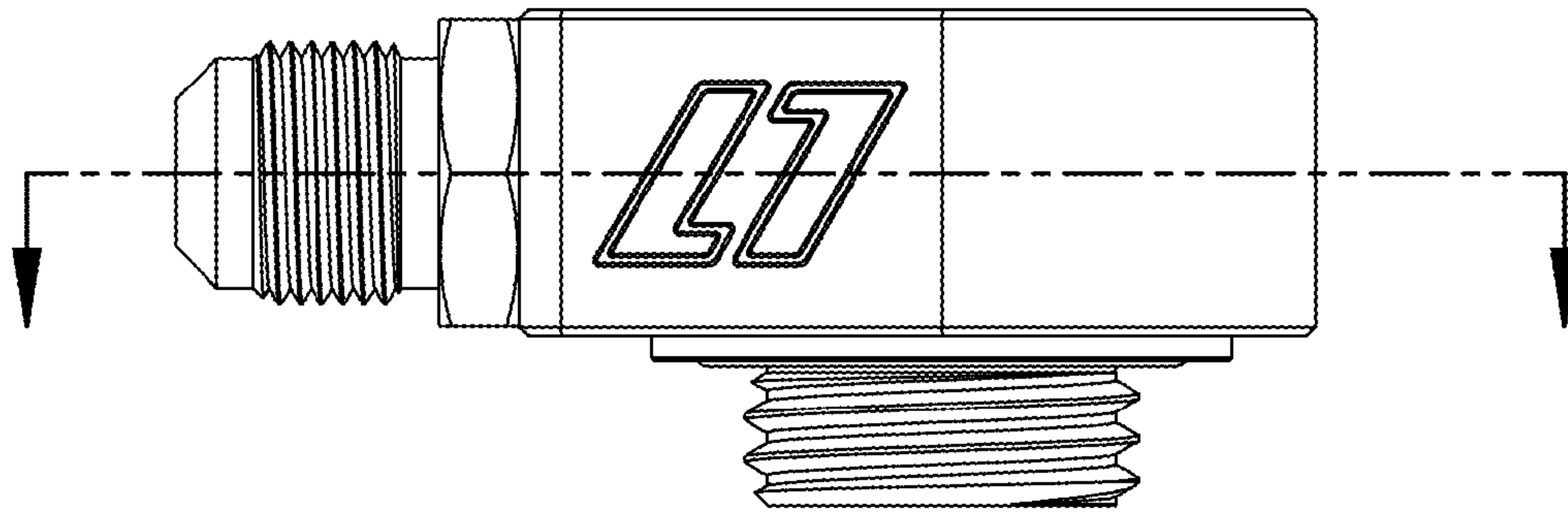


FIG. 8

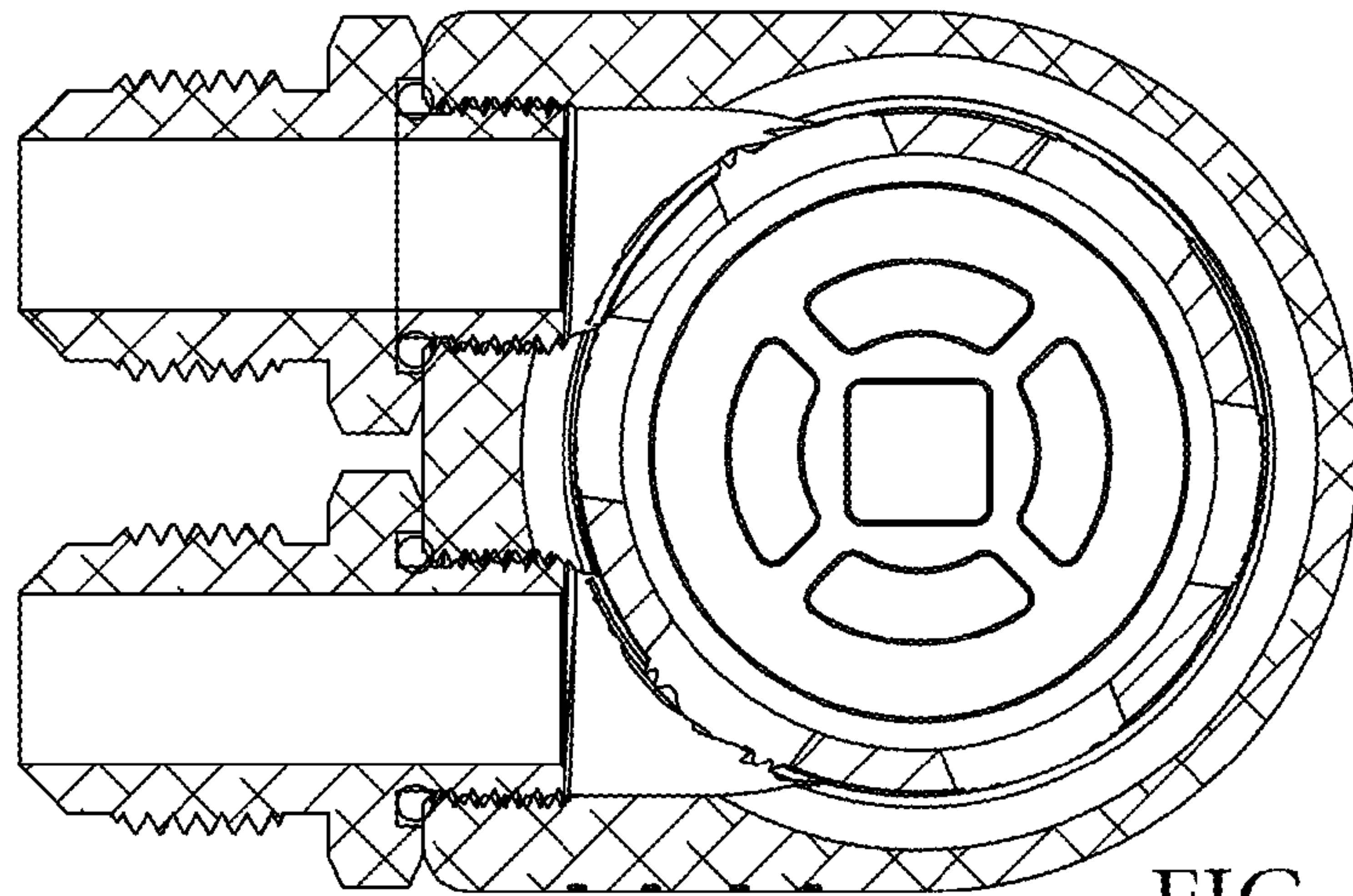


FIG. 9

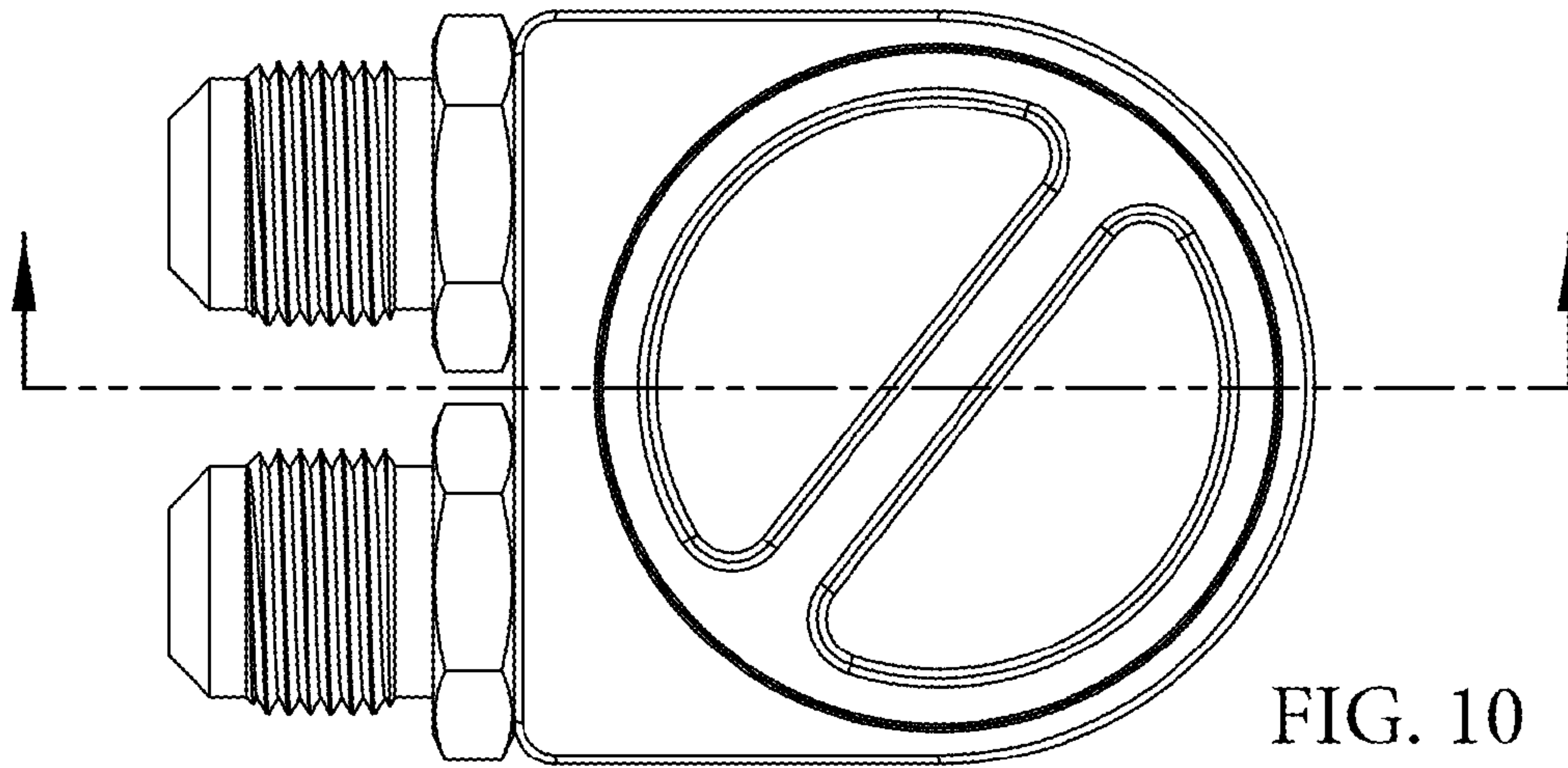


FIG. 10

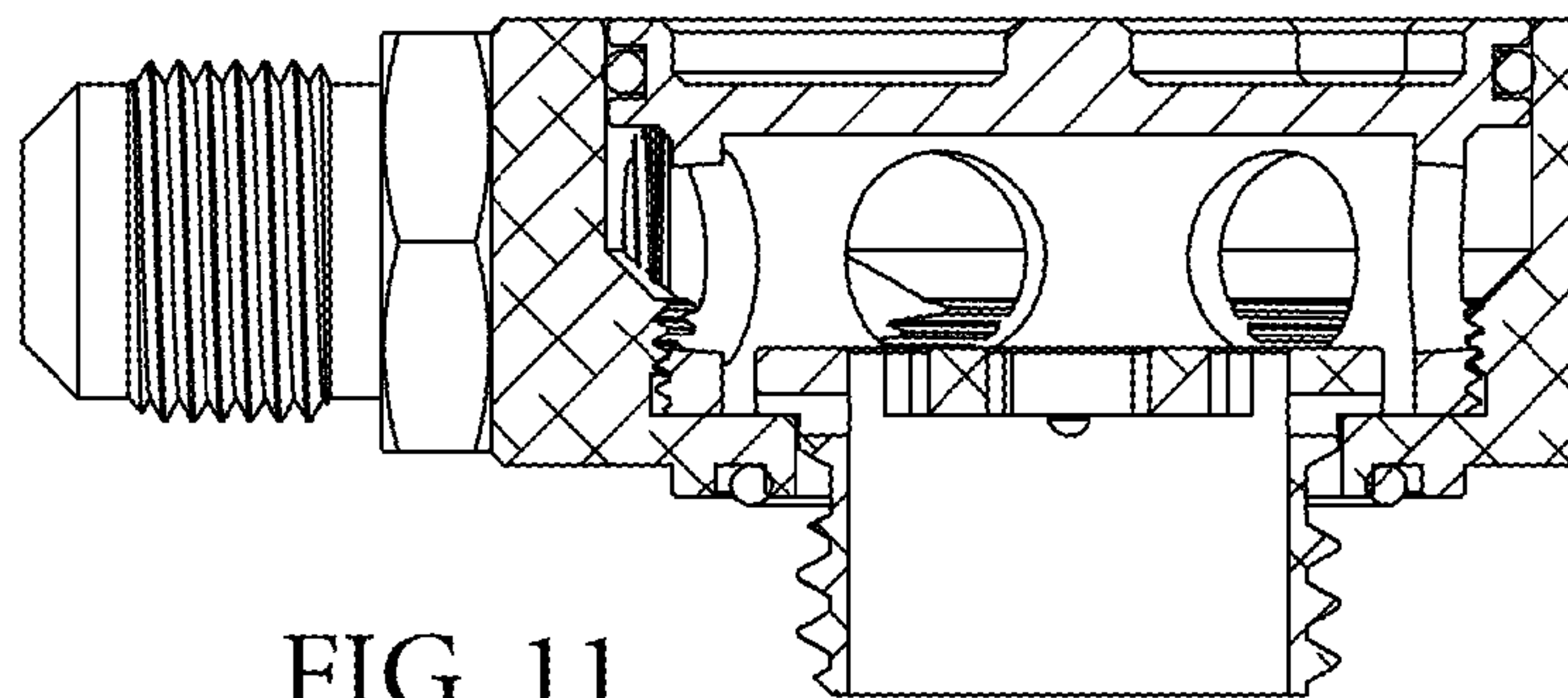


FIG. 11

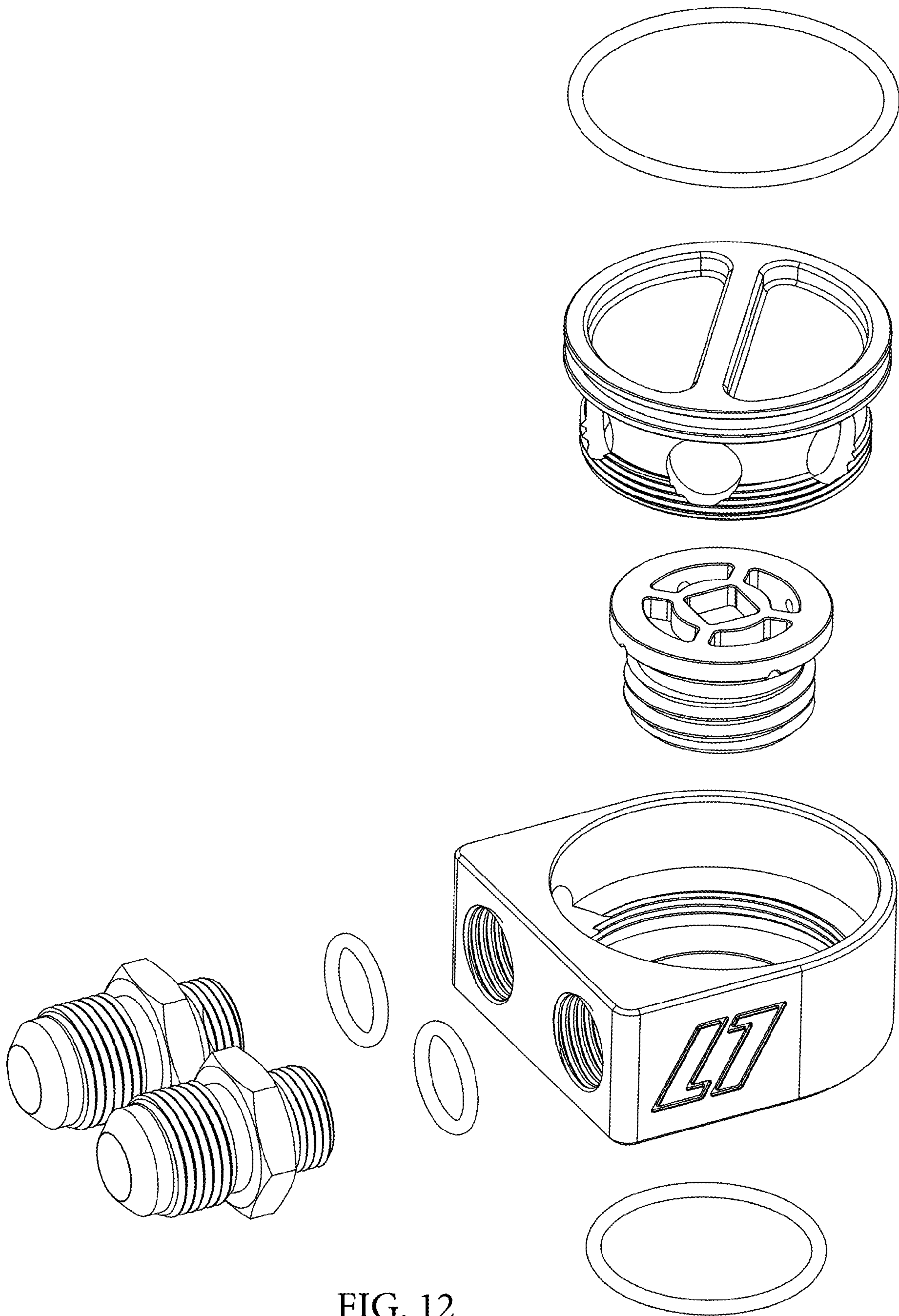


FIG. 12

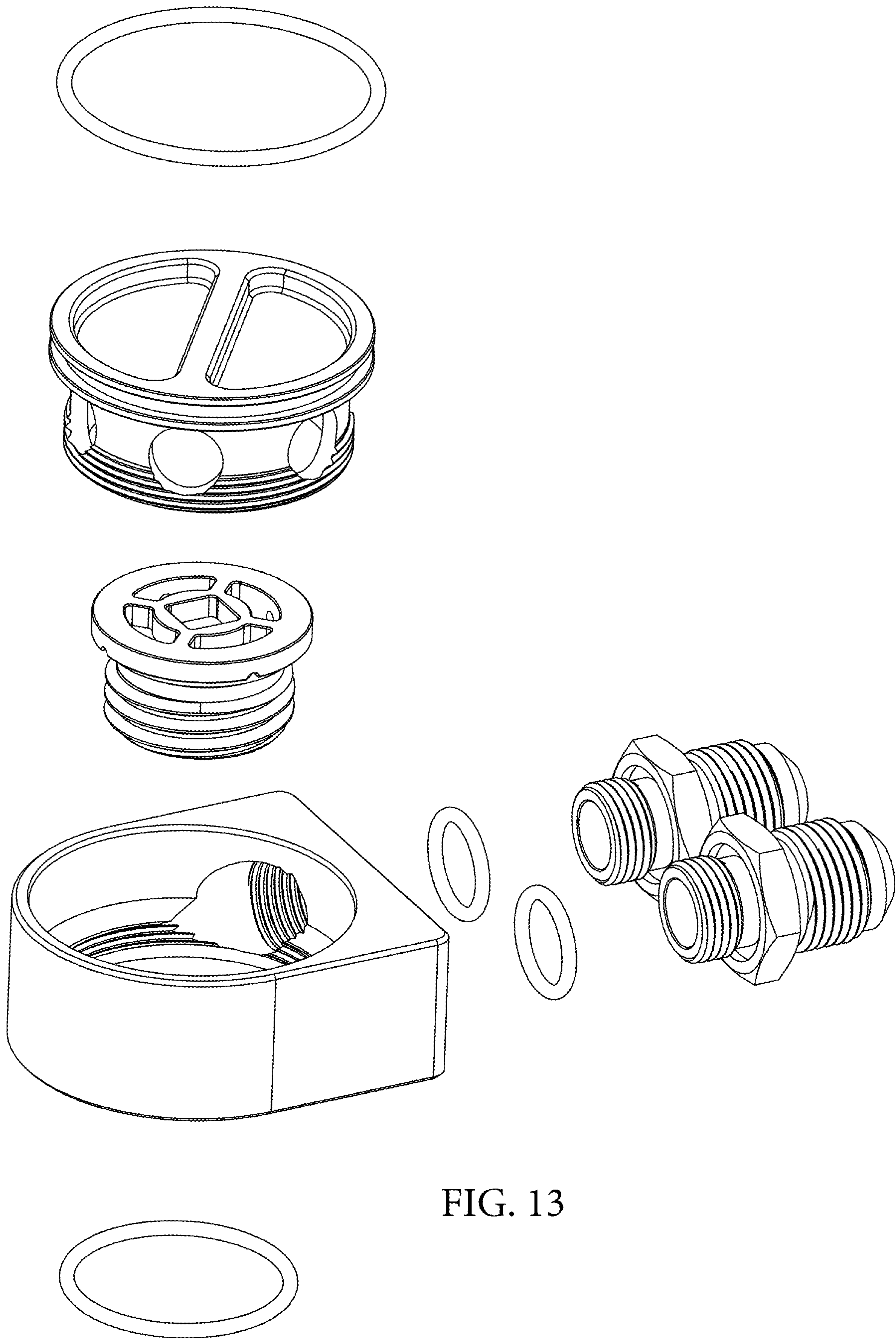


FIG. 13

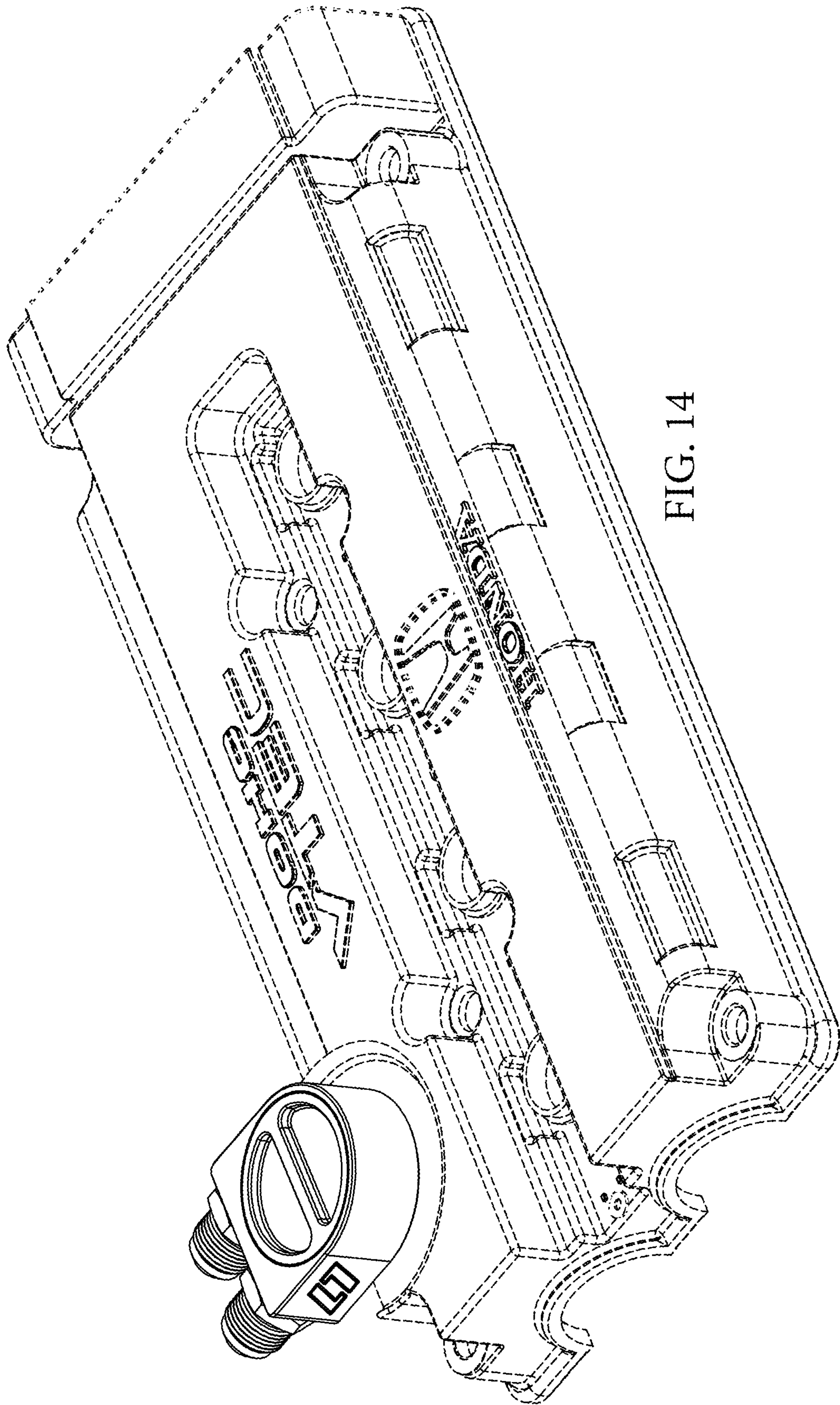


FIG. 14

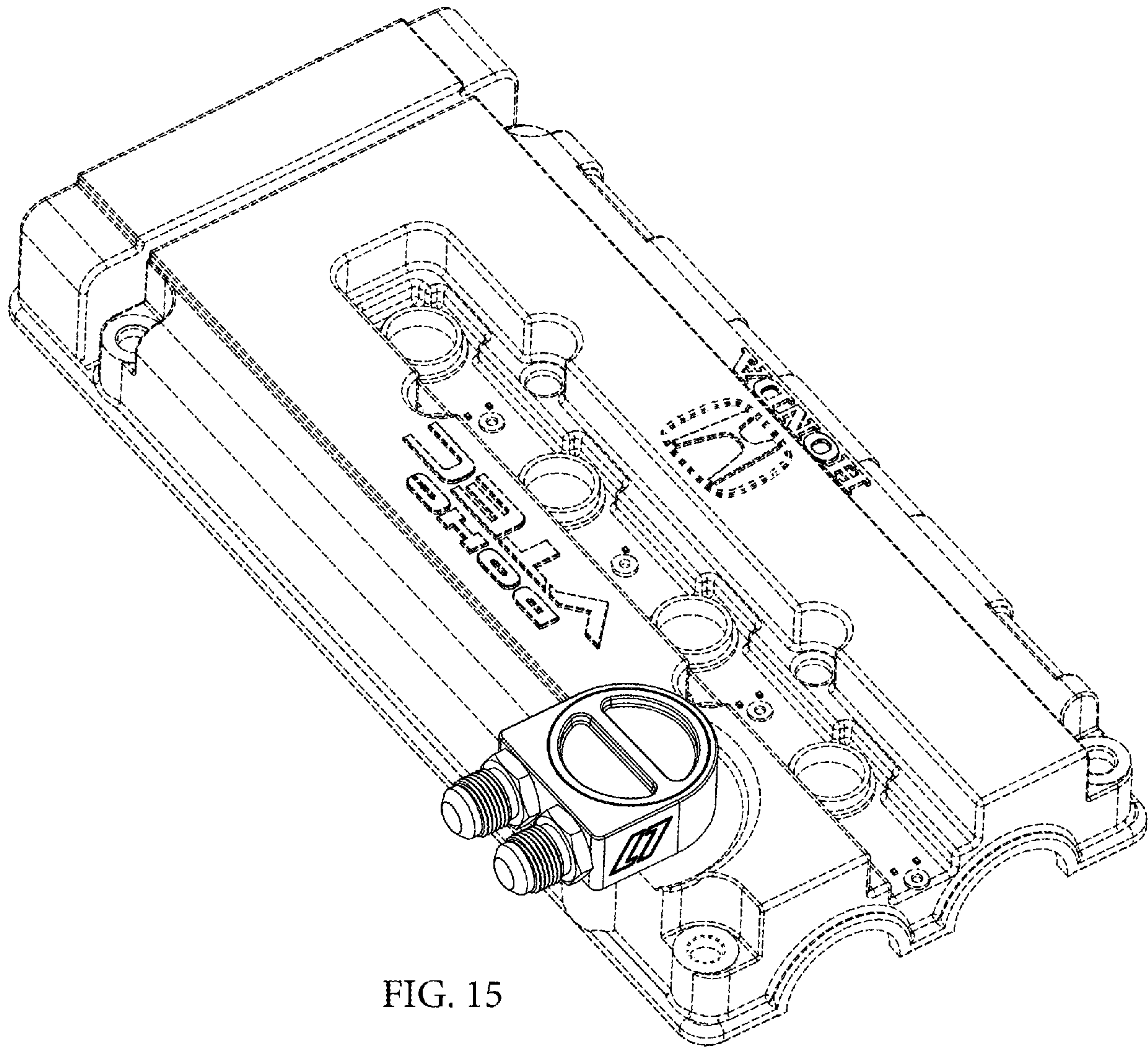


FIG. 15