



US00D913331S

(12) **United States Design Patent** (10) **Patent No.:** **US D913,331 S**
Lee et al. (45) **Date of Patent:** **** Mar. 16, 2021**

(54) **DISPLAY SCREEN OR PORTION THEREOF WITH GRAPHICAL USER INTERFACE**

CPC ... B60K 37/00; G06F 3/0481; G06F 3/04845; G06F 3/04817; G06F 17/212; G06F 19/3406; G06T 13/80; G06T 15/02

(71) Applicant: **Samsung Electronics Co., Ltd.**, Suwon-si (KR)

See application file for complete search history.

(72) Inventors: **Heon Woo Lee**, Seoul (KR); **Miyeon Park**, Seongnam-si (KR); **Yongman Park**, Yongin-si (KR); **Jakyoung Lee**, Seoul (KR); **Hyerim Kwak**, Seoul (KR); **Soyoung Lee**, Seoul (KR)

(56) **References Cited**

U.S. PATENT DOCUMENTS

(73) Assignee: **SAMSUNG ELECTRONICS CO., LTD.**, Suwon-si (KR)

(**) Term: **15 Years**

(21) Appl. No.: **29/736,839**

(22) Filed: **Jun. 3, 2020**

6,540,260 B1	4/2003	Tan
D481,736 S	11/2003	Ombao
D617,804 S	6/2010	Hirsch
D627,360 S	11/2010	Aarseth
D644,243 S	8/2011	Matas
D669,497 S	10/2012	Lee
D690,717 S	10/2013	Thomsen
D703,692 S	4/2014	Phelan
D738,380 S	9/2015	Nielsen
D739,872 S	9/2015	Bang
D744,496 S	12/2015	Seo
D746,857 S	1/2016	Rayit
D746,866 S	1/2016	Memoria
D750,644 S	3/2016	Bhutank
D752,061 S	3/2016	Ahn
D753,151 S	4/2016	Lee
D754,713 S	4/2016	Zhang
D756,401 S	5/2016	Soldner
D757,746 S	5/2016	Lee
D759,061 S	6/2016	Sahoo
D760,283 S	6/2016	Horiuchi
D761,277 S	7/2016	Harvell
D761,812 S	7/2016	Motamedi
D761,857 S	7/2016	Mariet
D762,671 S	8/2016	Chan
D763,861 S	8/2016	Kaasalainen
D763,869 S	8/2016	Wang
D765,101 S	8/2016	Park
D766,308 S	9/2016	Park
D769,312 S	10/2016	Chen
D769,889 S	10/2016	Kuhn
D773,531 S	12/2016	Toth
D774,081 S	12/2016	Yoo
D775,658 S	1/2017	Luo
D776,152 S	1/2017	Park
D776,687 S	1/2017	Wick
D777,200 S	1/2017	Luo
D777,762 S	1/2017	Park
D777,778 S	1/2017	Park
D780,781 S	3/2017	Ding
D783,633 S	4/2017	Oh
D783,652 S	4/2017	Guan
D784,369 S	4/2017	Kuhn
D784,370 S	4/2017	Kuhn

Related U.S. Application Data

(60) Division of application No. 29/721,297, filed on Jan. 20, 2020, now Pat. No. Des. 888,764, which is a continuation of application No. 29/698,312, filed on Jul. 16, 2019, now Pat. No. Des. 873,300, which is a continuation of application No. 29/679,877, filed on Feb. 11, 2019, now Pat. No. Des. 858,576, which is a continuation of application No. 29/628,115, filed on Dec. 1, 2017, now Pat. No. Des. 844,668, which is a division of application No. 29/608,638, filed on Jun. 23, 2017, now Pat. No. Des. 807,398, which is a division of application No. 29/564,971, filed on May 17, 2016, now Pat. No. Des. 794,048.

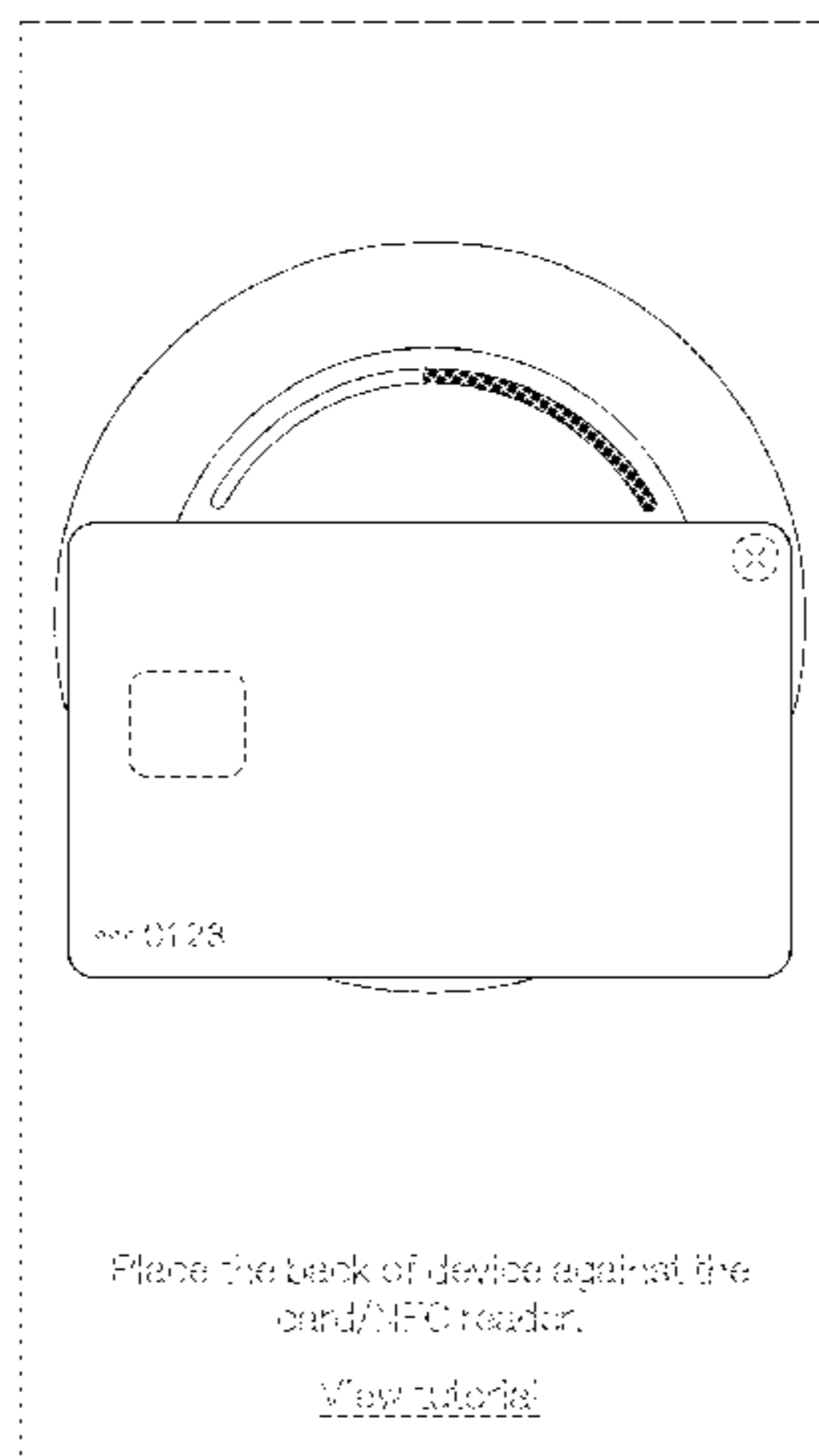
(30) **Foreign Application Priority Data**

Nov. 18, 2015 (KR) 30-2015-0058205

(51) **LOC (13) Cl.** **14-04**

(52) **U.S. Cl.**
USPC **D14/492**

(58) **Field of Classification Search**
USPC D14/485-495



D785,013 S	4/2017	Kuhn	
D791,161 S	7/2017	Hatzikostas	
D791,830 S	7/2017	Szeto	
D792,900 S	7/2017	Gaur	
D794,048 S	8/2017	Lee	
D794,055 S	8/2017	Kim	
D796,527 S	9/2017	Lee	
D797,123 S	9/2017	Lee	
D797,124 S	9/2017	Lee	
D797,125 S	9/2017	Lee	
D800,779 S	10/2017	Lee	
D801,350 S	10/2017	Rejkowski	
D803,870 S	11/2017	Landry	
D803,881 S	11/2017	Hurley	
D804,494 S	12/2017	Bombolowsky	
D804,497 S	12/2017	Akatsu	
D804,498 S	12/2017	Akatsu	
D805,528 S	12/2017	Hersh	
D806,091 S	12/2017	Weaver	
D806,125 S	12/2017	Jewitt	
D806,717 S	1/2018	Bae	
D806,751 S	1/2018	Lee	
D807,398 S	1/2018	Lee	
D807,399 S	1/2018	Lee	
D808,423 S	1/2018	Jiang	
D809,522 S	2/2018	Mizono	
D811,421 S	2/2018	Caldwell	
D813,245 S	3/2018	Mariet	
D813,884 S	3/2018	Penker	
D815,109 S	4/2018	Weaver	
D815,666 S	4/2018	Burns	
D816,690 S	5/2018	Lee	
D819,685 S	6/2018	Lee	
D820,288 S	6/2018	Howell	
D821,434 S	6/2018	Park	
D824,405 S	7/2018	Narinedhat	
D826,272 S	8/2018	Lee	
D826,273 S	8/2018	Lee	
D826,274 S	8/2018	Lee	
D826,967 S	8/2018	Li	
D826,987 S	8/2018	Lee	
10,046,144 B2	8/2018	Lampropoulos	
D828,370 S	9/2018	Lee	
D828,852 S	9/2018	Park	
D829,219 S	9/2018	Bae	
D829,241 S	9/2018	Clapper	
D829,764 S	10/2018	Clapper	
D831,035 S	10/2018	McGlasson	
D831,054 S	10/2018	Moon	
D831,059 S	10/2018	Bao	
D832,298 S	10/2018	Joensson	
D834,042 S	11/2018	Bae	
D834,596 S	11/2018	Bae	
D835,632 S	12/2018	Liu	
D835,665 S	12/2018	Kimura	
D837,262 S	1/2019	Lee	
D840,415 S *	2/2019	Yoon	D14/485
D844,029 S	3/2019	Bebbington	
D844,668 S	4/2019	Lee	
D847,854 S	5/2019	Christian	
D848,479 S	5/2019	Lee	
D848,480 S	5/2019	Lee	
D848,481 S	5/2019	Lee	
D848,482 S	5/2019	Lee	
D849,792 S	5/2019	Lee	
D857,749 S	8/2019	Brinker	
D858,576 S	9/2019	Lee	
D862,498 S *	10/2019	Bae	D14/485
D865,813 S	11/2019	Lee	
D866,584 S	11/2019	Burroughs	
D873,300 S	1/2020	Lee	
D874,519 S	2/2020	Samuels	
D877,197 S *	3/2020	Lee	D14/492
D877,198 S *	3/2020	Lee	D14/492
D877,199 S *	3/2020	Lee	D14/492
D878,420 S *	3/2020	Dedonato	D14/495
D879,147 S *	3/2020	Lebov	D14/491
D879,148 S *	3/2020	Lee	D14/492
D881,943 S *	4/2020	Lee	D14/492

D885,421 S *	5/2020	Lunaparra	D14/486
D888,763 S *	6/2020	Brinker	D14/492
D888,764 S *	6/2020	Lee	D14/492
2004/0223004 A1	11/2004	Lincke	
2007/0136679 A1	6/2007	Yang	
2008/0126992 A1	5/2008	Scheu	
2010/0299637 A1	11/2010	Chmielewski	
2012/0096383 A1	4/2012	Sakamoto	
2012/0124520 A1	5/2012	Samp	
2013/0103580 A1	4/2013	Ventura	
2013/0127911 A1	5/2013	Brown	
2014/0282132 A1	9/2014	Daly, IV	
2015/0019966 A1	1/2015	Jeon	
2015/0040052 A1	2/2015	Noel	
2015/0348029 A1	12/2015	Van Os	
2016/0011726 A1*	1/2016	Felt	G06F 3/04886 715/828
2016/0011850 A1	1/2016	Sheen	
2016/0103562 A1	4/2016	Bombolowsky	
2016/0337346 A1	11/2016	Momchilov	
2017/0109178 A1	4/2017	Chen	
2017/0185991 A1	6/2017	Park	
2017/0243056 A1*	8/2017	Cheng	A61B 5/1118

FOREIGN PATENT DOCUMENTS

EM	001712977-0003	6/2010
JP	D1530198	8/2015

OTHER PUBLICATIONS

ArsTechnica | How Apple Pay and Google Wallet actually work, posted on Oct. 29, 2014, no copyright date posted [online], [site visited May 11, 2017], Available from Internet, <URL: <https://arstechnica.com/gadgets/2014/10/how-mobile-payments-really-work/>>.

Samsung Newsroom | Products | Mobile | Samsung Pay Trial Service Launched in Korea, posted on Jul. 16, 2015, Copyright © 2011-2017 Samsung [online], [site visited May 11, 2017], Available from Internet, URL: <https://news.samsung.com/global/samsung-pay-trial-service-launched-in-korea/>.

Unknown, “How to Configure Apple Pay on iPhone 6 and iPhone 6 Plus iOS [How-To]”, published Oct. 21, 2014 on the internet at OSXiOSExpert: <<https://www.osxiosexpert.com/setup-apple-pay-iphone-6-ios-8/>> (Last accessed Jun. 22, 2017).

Broussard, Mitchel, “Home Depot Quietly Drops Apple Pay, But Service Continues to Work at Many Store”, published May 5, 2015 at MacRumors: <<https://www.macrumors.com/2015/05/05/home-depot-quietly-drops-apple-pay/>> (Last accessed Jun. 22, 2017).

Unknown, “Apple Pay—Banco Santander”, unknown publishing date, <<https://www.bancosantander.es/es/particulares/banca-online/apple-pay>> (Last accessed Jun. 22, 2017).

Blog Spoon Graphics | Tutorials | How to Create a Vector Illustration from Start to Finish, posted on Jun. 15, 2015, no copyright date posted [online], [site visited Aug. 30, 2017]. Available from Internet, <URL: <https://blog.spoongraphics.co.uk/tutorials/how-to-create-a-vector-illustration-from-start-to-finish/>> (Last accessed Dec. 1, 2017).

* cited by examiner

Primary Examiner — Cary M Robinson
(74) Attorney, Agent, or Firm — McAndrews Held & Malloy, Ltd.

(57) CLAIM

The ornamental design for a display screen or portion thereof with graphical user interface, as shown and described.

DESCRIPTION

FIG. 1 is a front view of a display screen or portion thereof with graphical user interface showing our new design according to a first embodiment; and,

FIG. 2 is a front view of a display screen or portion thereof with graphical user interface showing our new design according to a second embodiment.

The broken lines at the outer perimeter of the figures depict a display screen or portion thereof and form no part of the claimed design. The remaining broken lines in the figures depict portions of the graphical user interface that form no part of the claimed design.

1 Claim, 2 Drawing Sheets

FIG. 1

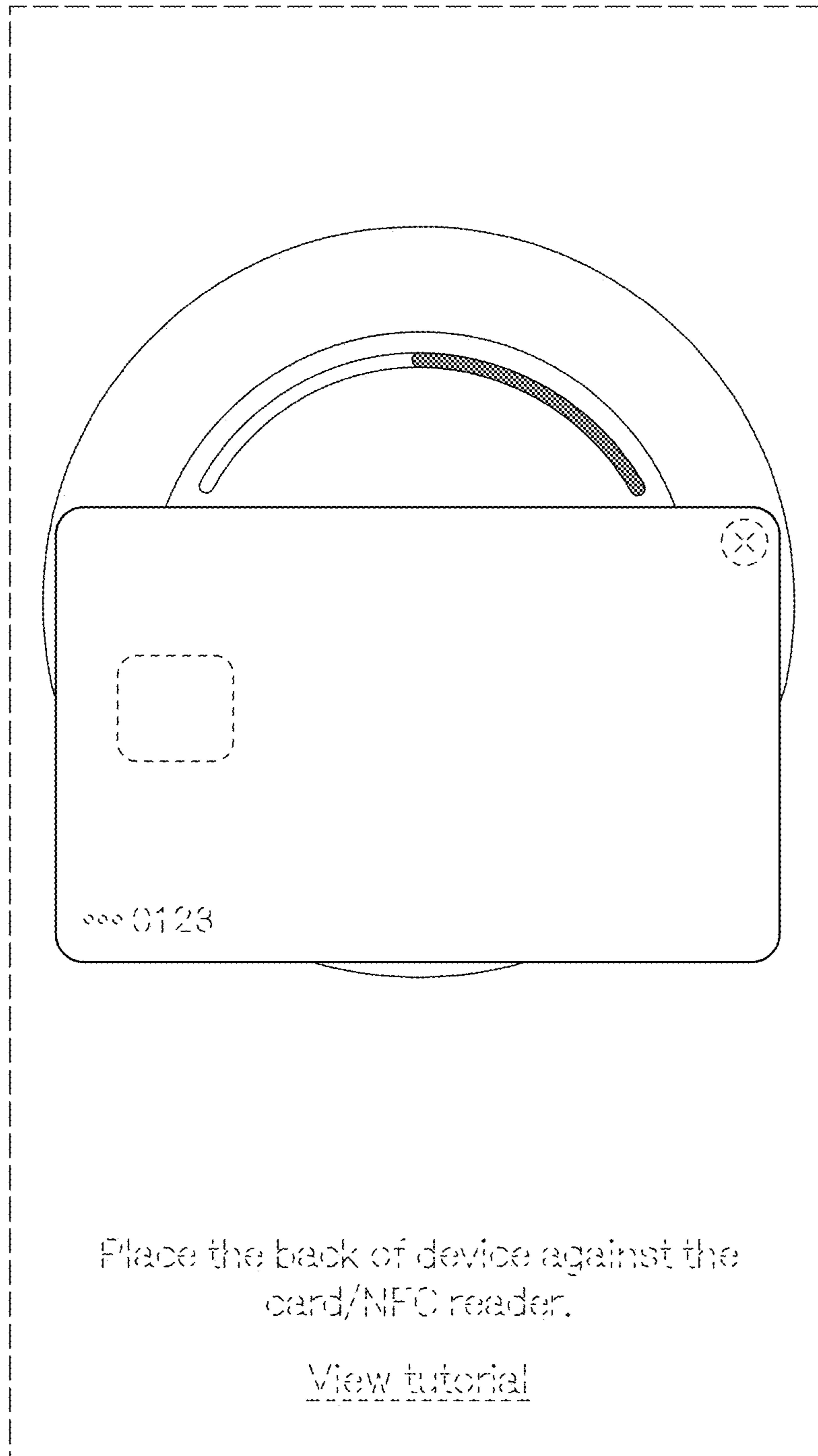


FIG. 2

