



US00D913318S

(12) **United States Design Patent** (10) **Patent No.:** **US D913,318 S**
Jenoski et al. (45) **Date of Patent:** **** Mar. 16, 2021**

(54) **DISPLAY OR PORTION THEREOF WITH A TRANSITIONAL GRAPHICAL USER INTERFACE**
(71) Applicant: **HOLOGIC, INC.**, Marlborough, MA (US)
(72) Inventors: **Raymond Jenoski**, Boylston, MA (US); **Michael Cordeiro**, Warwick, RI (US); **Ryan P. Oliva**, Mendon, MA (US)
(73) Assignee: **Hologic, Inc.**, Marlborough, MA (US)
(**) Term: **15 Years**
(21) Appl. No.: **29/674,258**
(22) Filed: **Dec. 20, 2018**
(51) **LOC (13) Cl.** **14-04**
(52) **U.S. Cl.**
USPC **D14/488**; D14/492
(58) **Field of Classification Search**
USPC D12/317; D13/162, 168, 174, 171, 177; D14/413, 485-495
CPC B61C 11/04; B64C 29/00; G06F 3/04817; G06F 3/0482; G06F 2203/04807; G06T 15/02; G06T 13/80; H04M 1/2477; H04N 1/00424
See application file for complete search history.

D872,737 S * 1/2020 Ressel D14/485
D873,281 S * 1/2020 Van Gerbig D14/485
D873,300 S * 1/2020 Lee D14/492
D878,420 S * 3/2020 Dedonato D14/495
D879,799 S * 3/2020 Wilberding D14/485
D882,592 S * 4/2020 Yan D14/485
D882,626 S * 4/2020 Yan D14/488
D885,411 S * 5/2020 Ko D14/485
D888,078 S * 6/2020 Lee D14/485
D888,727 S * 6/2020 Yan D14/485
D888,731 S * 6/2020 Momchilov D14/485
D888,732 S * 6/2020 Momchilov G06F 21/83
D14/485
D888,757 S * 6/2020 Yan D14/488
D890,440 S * 7/2020 Wilson D29/122
D890,773 S * 7/2020 Pascoli D14/485
D892,862 S * 8/2020 Hsu D14/491
2012/0068854 A1 * 3/2012 Shiflet G06Q 50/06
340/870.02
2012/0096383 A1 * 4/2012 Sakamoto G06F 9/451
715/772
2013/0174097 A1 * 7/2013 Wernecke G06F 3/04817
715/846
2015/0106726 A1 * 4/2015 Nagasaki G06F 3/0482
715/739
2015/0205511 A1 * 7/2015 Vinna G06F 3/0481
715/716

OTHER PUBLICATIONS

Stack Overflow | How to Create a circular progressbar in Android which rotates on it?, posted on Jan. 24, 2014, © 2020 Stack Exchange Inc. [online], [site visited Aug. 17, 2020]. Available from Internet, <URL: <https://stackoverflow.com/questions/21333866/how-to-create-a-circular-progressbar-in-android-which-rotates-on-it>>.*
<https://dkengineering.com/portfolio/dna-sequencing-machines/>, web page accessed on Mar. 6, 2019.
<https://www.primera.com/signature-slide-printer>, web pages accessed on Mar. 6, 2019.

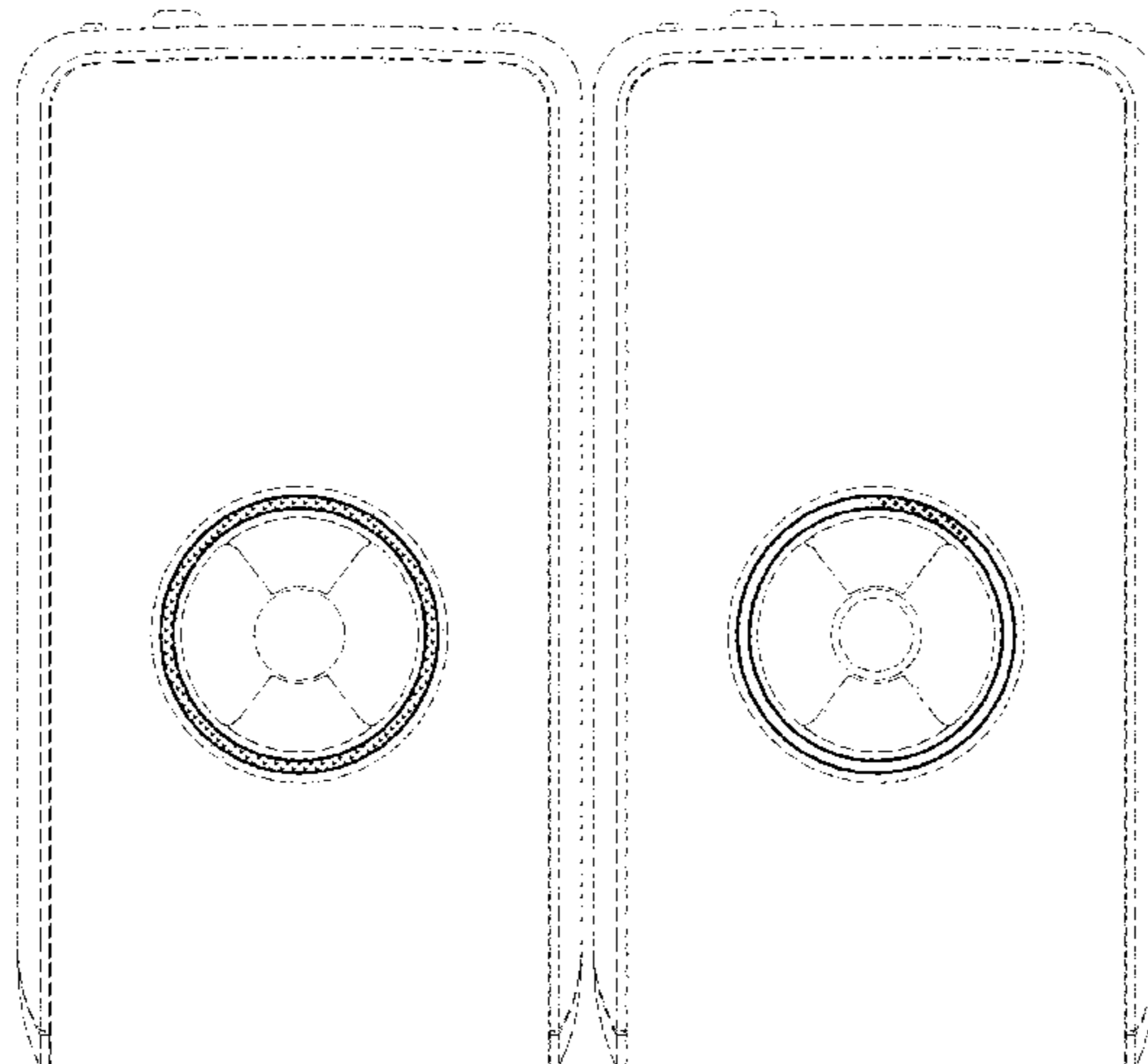
* cited by examiner

Primary Examiner — Cary M Robinson
(74) *Attorney, Agent, or Firm* — Vista IP Law Group, LLP

(57) **CLAIM**
The ornamental design for a portion of a display or portion thereof with a transitional graphical user interface, as shown and described.

(56) **References Cited**
U.S. PATENT DOCUMENTS

D669,499 S * 10/2012 Gardner D14/495
D739,872 S * 9/2015 Bang D14/488
D761,277 S * 7/2016 Harvell D14/485
D763,910 S * 8/2016 Drozd D14/489
D785,658 S * 5/2017 Moroney D14/486
D786,932 S * 5/2017 Kim D14/495
D794,675 S * 8/2017 Liu D14/489
D806,114 S * 12/2017 Kim D14/488
D813,268 S * 3/2018 Cabrera, Jr. D14/489
D831,652 S * 10/2018 Abellera D14/413
D837,807 S * 1/2019 Baber D14/485
D840,415 S * 2/2019 Yoon D14/485
D868,010 S * 11/2019 Bard D13/174



DESCRIPTION

The patent or application file contains at least one drawing executed in color. Copies of this patent or patent application publication with color drawing(s) will be provided by the Office upon request and payment of the necessary fee.

FIG. 1 is a front view of a display or portion thereof with a transitional graphical user interface showing a first image in a sequence of a first design;

FIG. 2 is a front view of a display or portion thereof with a transitional graphical user interface showing a second image in the sequence of the first design;

FIG. 3 is a front view of a display or portion thereof with a transitional graphical user interface showing a third image in the sequence of the first design;

FIG. 4 is a front view of a display or portion thereof with a transitional graphical user interface showing a fourth image in the sequence of the first design;

FIG. 5 is a front view of a display or portion thereof with a transitional graphical user interface showing a fifth image in the sequence of the first design;

FIG. 6 is a front view of a display or portion thereof with a transitional graphical user interface showing a sixth image in the sequence of the first design;

FIG. 7 is a front view of a display or portion thereof with a transitional graphical user interface showing a seventh image in the sequence of the first design;

FIG. 8 is a front view of a display or portion thereof with a transitional graphical user interface showing an eighth image in the sequence of the first design;

FIG. 9 is a front view of a display or portion thereof with a transitional graphical user interface showing a ninth image in the sequence of the first design;

FIG. 10 is a front view of a display or portion thereof with a transitional graphical user interface showing a tenth image in the sequence of the first design;

FIG. 11 is a front view of a display or portion thereof with a transitional graphical user interface showing an eleventh image in the sequence of the first design;

FIG. 12 is a front view of a display or portion thereof with a transitional graphical user interface showing a first image in a sequence of a second design;

FIG. 13 is a front view of a display or portion thereof with a transitional graphical user interface showing a second image in the sequence of the second design;

FIG. 14 is a front view of a display or portion thereof with a transitional graphical user interface showing a third image in the sequence of the second design;

FIG. 15 is a front view of a display or portion thereof with a transitional graphical user interface showing a fourth image in the sequence of the second design;

FIG. 16 is a front view of a display or portion thereof with a transitional graphical user interface showing a fifth image in the sequence of the second design;

FIG. 17 is a front view of a display or portion thereof with a transitional graphical user interface showing a sixth image in the sequence of the second design;

FIG. 18 is a front view of a display or portion thereof with a transitional graphical user interface showing a seventh image in the sequence of the second design;

FIG. 19 is a front view of a display or portion thereof with a transitional graphical user interface showing an eighth image in the sequence of the second design;

FIG. 20 is a front view of a display or portion thereof with a transitional graphical user interface showing a ninth image in the sequence of the second design;

FIG. 21 is a front view of a display or portion thereof with a transitional graphical user interface showing a tenth image in the sequence of the second design;

FIG. 22 is a front view of a display or portion thereof with a transitional graphical user interface showing an eleventh image in the sequence of the second design;

FIG. 23 is a front view of a display or portion thereof with a transitional graphical user interface showing a first image in a sequence of a third design;

FIG. 24 is a front view of a display or portion thereof with a transitional graphical user interface showing a second image in the sequence of the third design;

FIG. 25 is a front view of a display or portion thereof with a transitional graphical user interface showing a third image in the sequence of the third design;

FIG. 26 is a front view of a display or portion thereof with a transitional graphical user interface showing a fourth image in the sequence of the third design;

FIG. 27 is a front view of a display or portion thereof with a transitional graphical user interface showing a fifth image in the sequence of the third design;

FIG. 28 is a front view of a display or portion thereof with a transitional graphical user interface showing a sixth image in the sequence of the third design;

FIG. 29 is a front view of a display or portion thereof with a transitional graphical user interface showing a seventh image in the sequence of the third design;

FIG. 30 is a front view of a display or portion thereof with a transitional graphical user interface showing an eighth image in the sequence of the third design;

FIG. 31 is a front view of a display or portion thereof with a transitional graphical user interface showing a ninth image in the sequence of the third design;

FIG. 32 is a front view of a display or portion thereof with a transitional graphical user interface showing a tenth image in the sequence of the third design;

FIG. 33 is a front view of a display or portion thereof with a transitional graphical user interface showing an eleventh image in the sequence of the third design;

FIG. 34 is a front view of a display or portion thereof with a transitional graphical user interface showing a twelfth image in the sequence of the third design; and,

FIG. 35 is a front view of a display or portion thereof with a transitional graphical user interface showing a thirteenth image in the sequence of the third design.

The subject matter of the present disclosure includes a process or period during which one user interface component changes into another. In particular, the appearance of the image transitions between the images shown of the various designs described above. This process or period in which one user interface component transitions into another user interface component forms no part of the claimed design.

The outermost broken lines illustrate an electronic device, the broken line at the perimeter of the figures illustrates a display or portion thereof, and the remaining broken lines illustrate portions of the transitional graphical user interface. None of the broken lines form part of the claimed design.

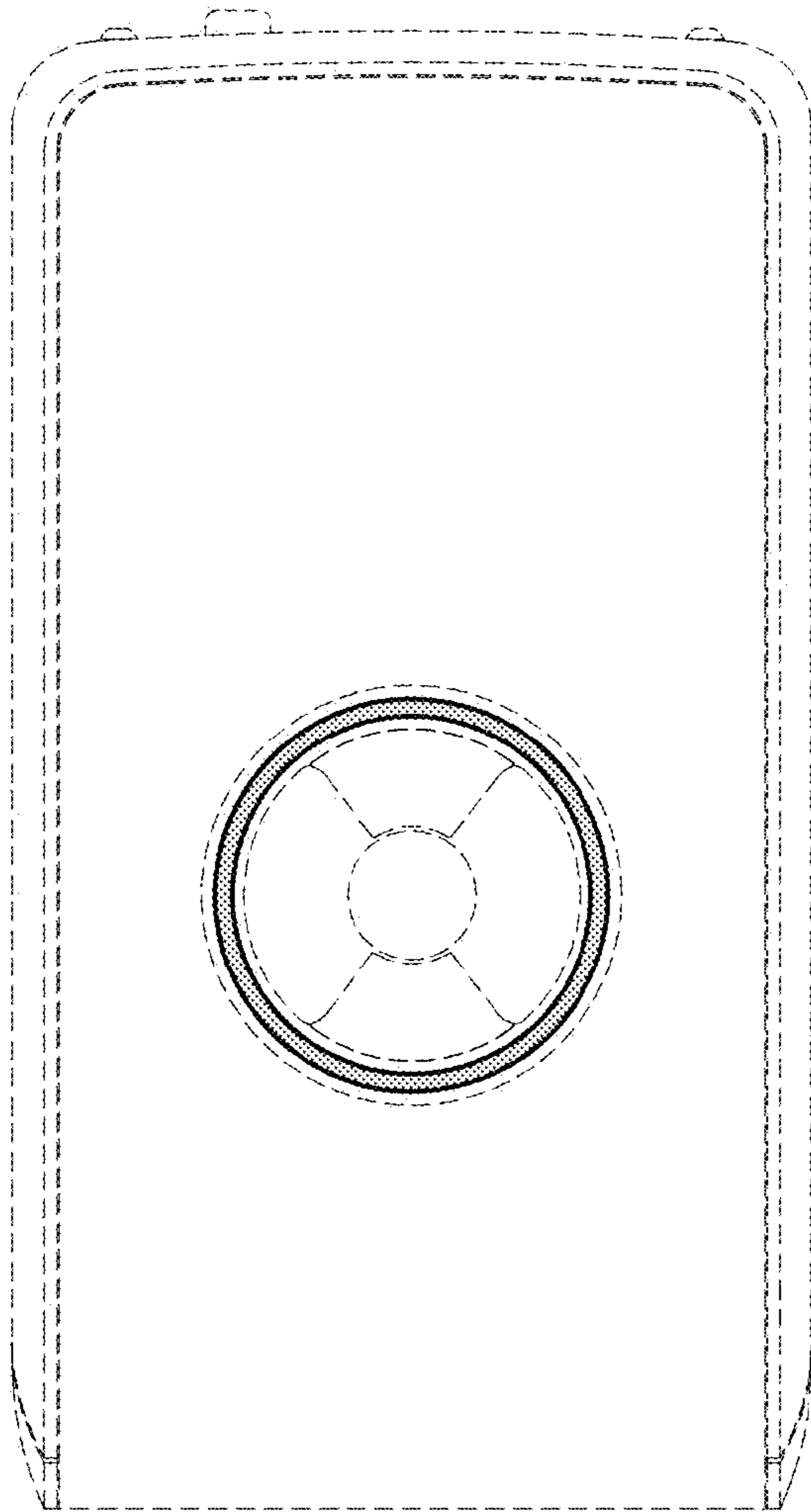


FIG. 1

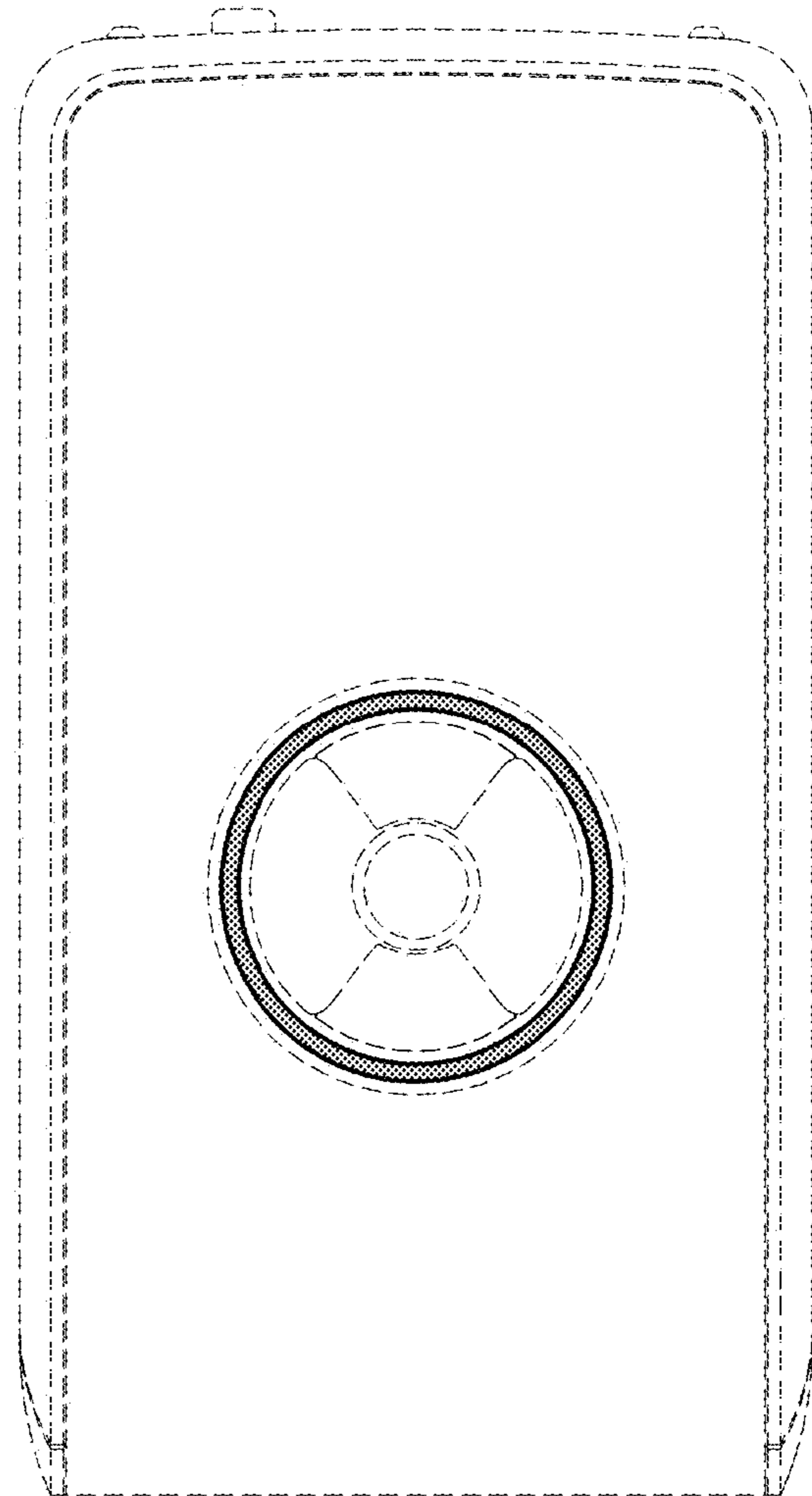


FIG. 2

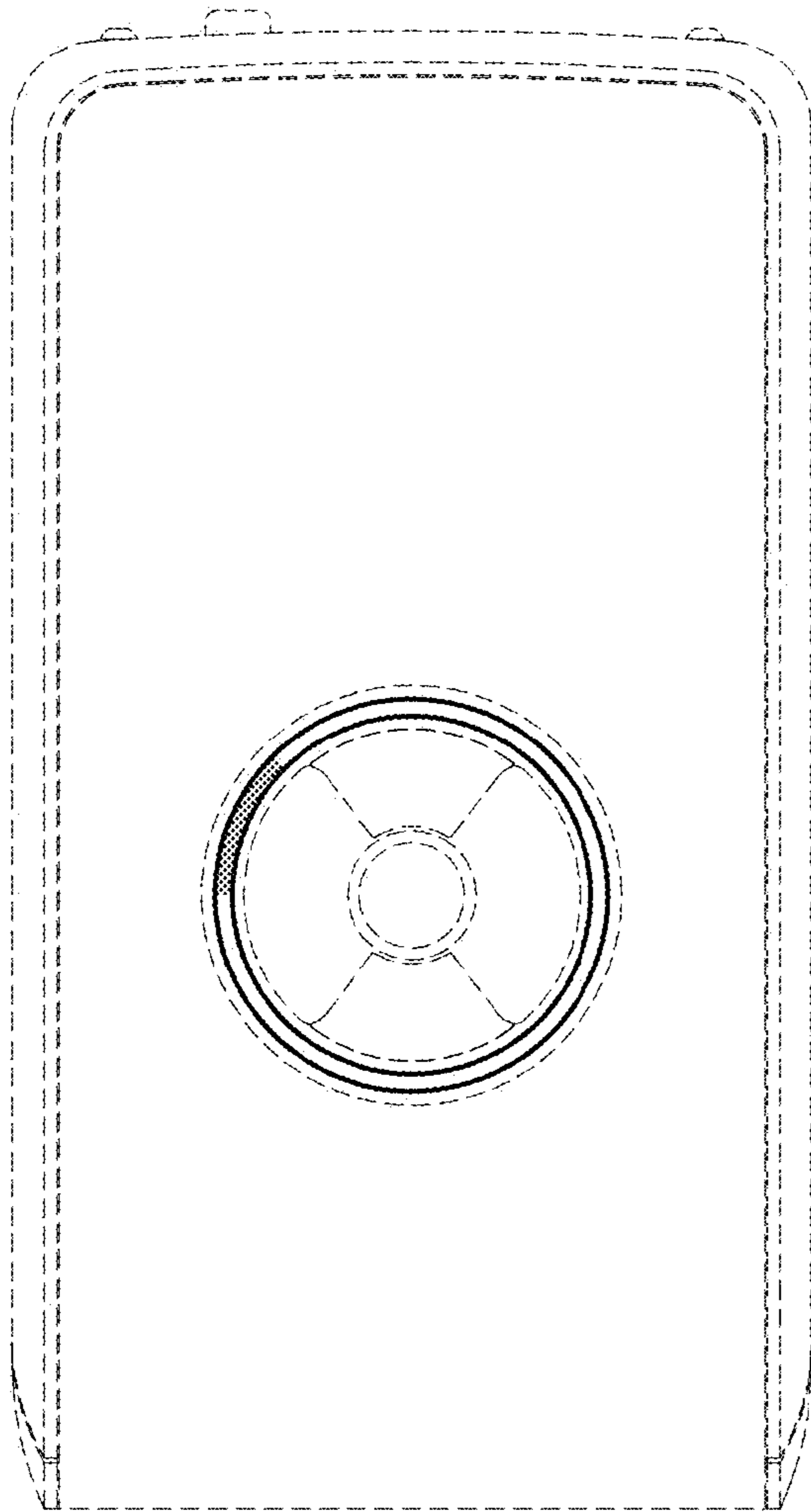


FIG. 3

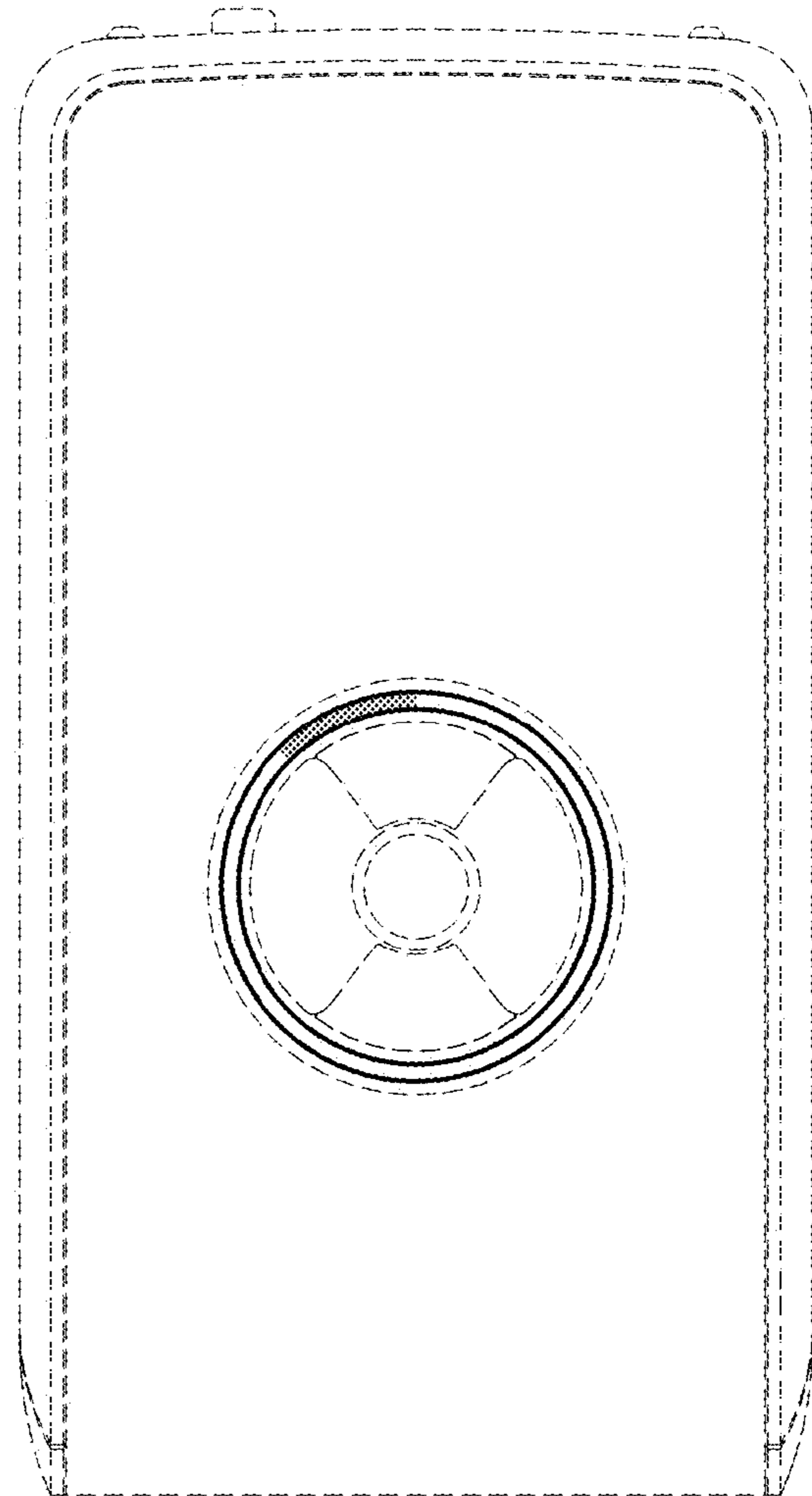


FIG. 4

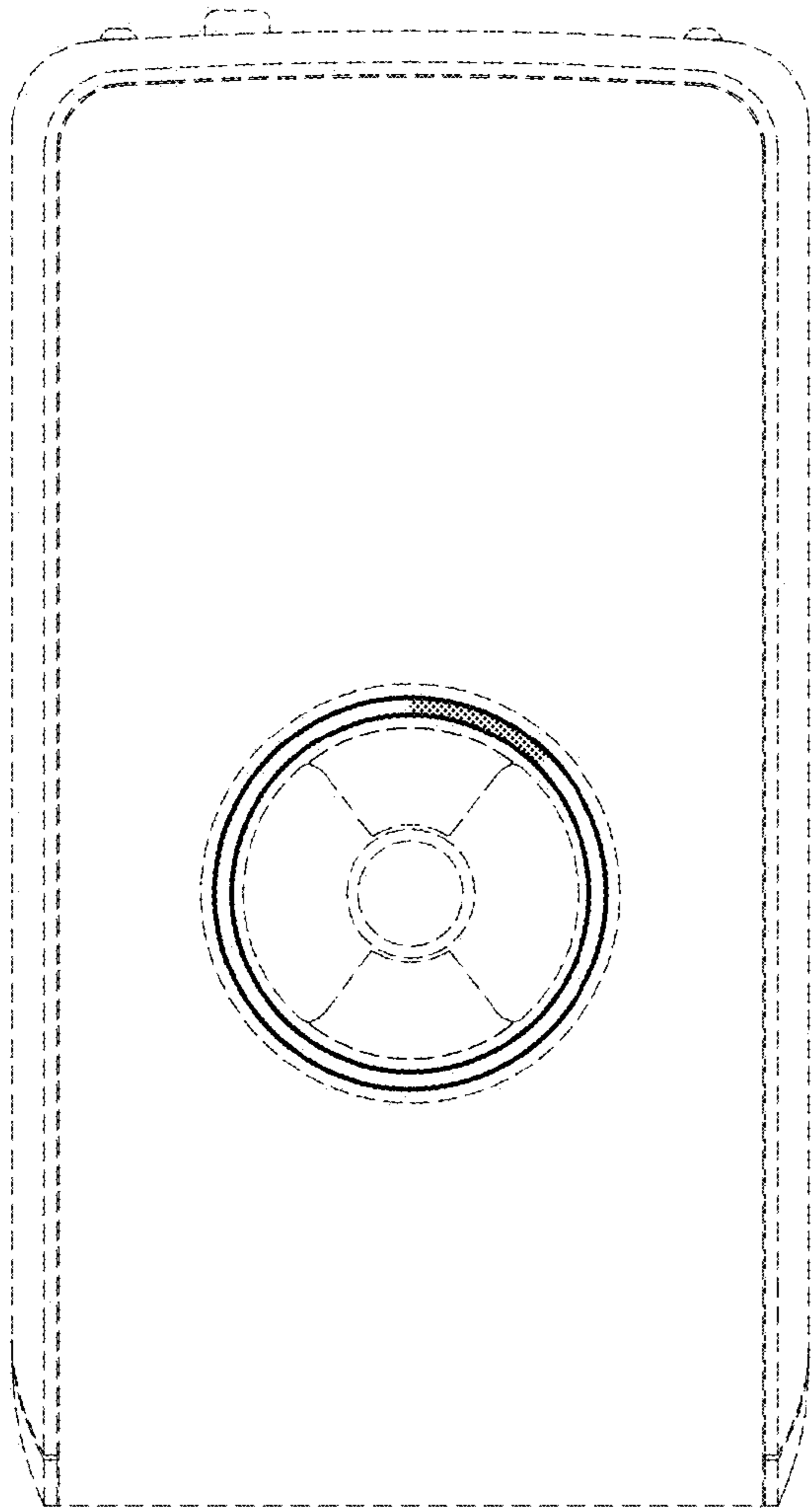


FIG. 5

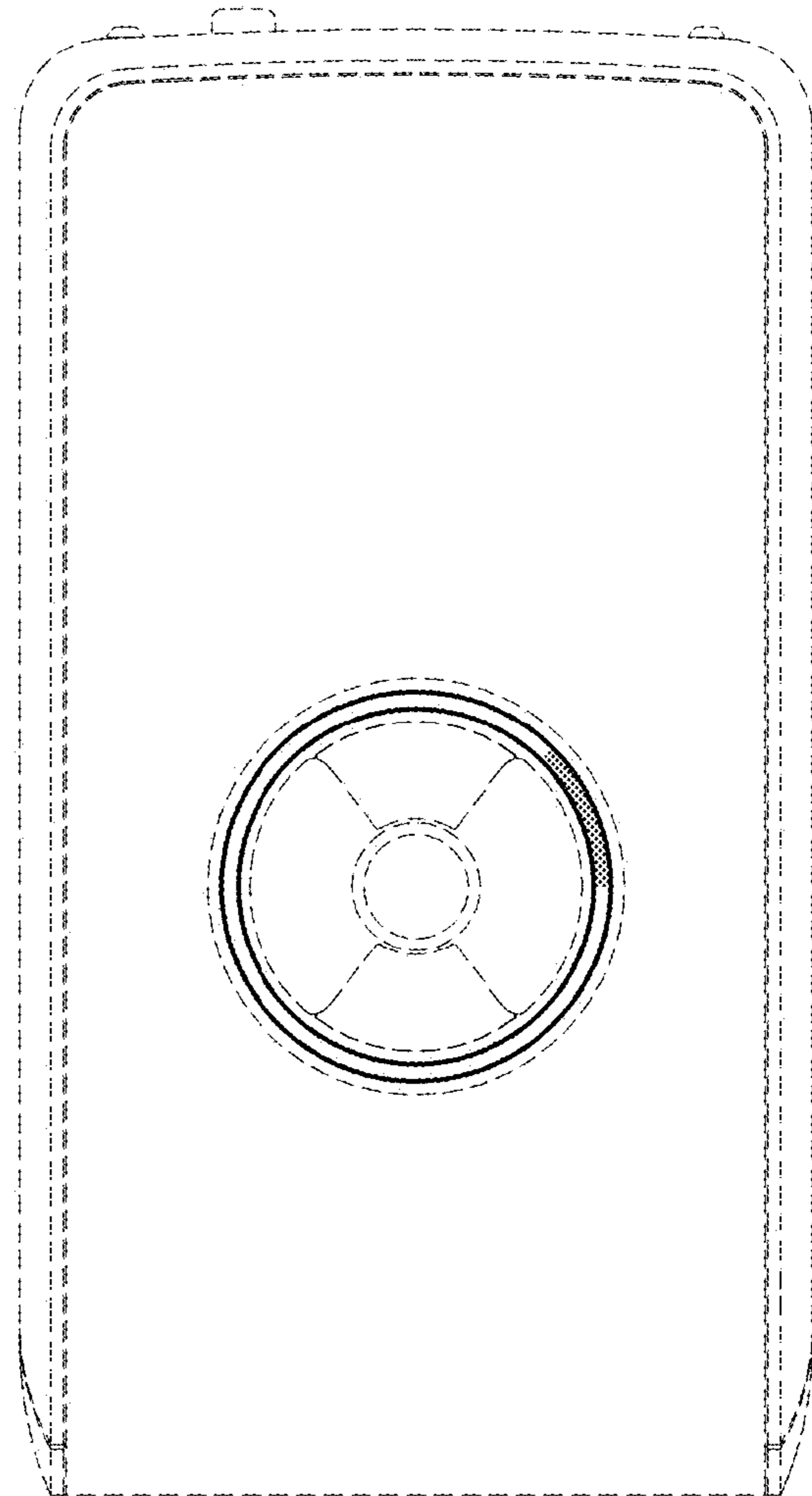


FIG. 6

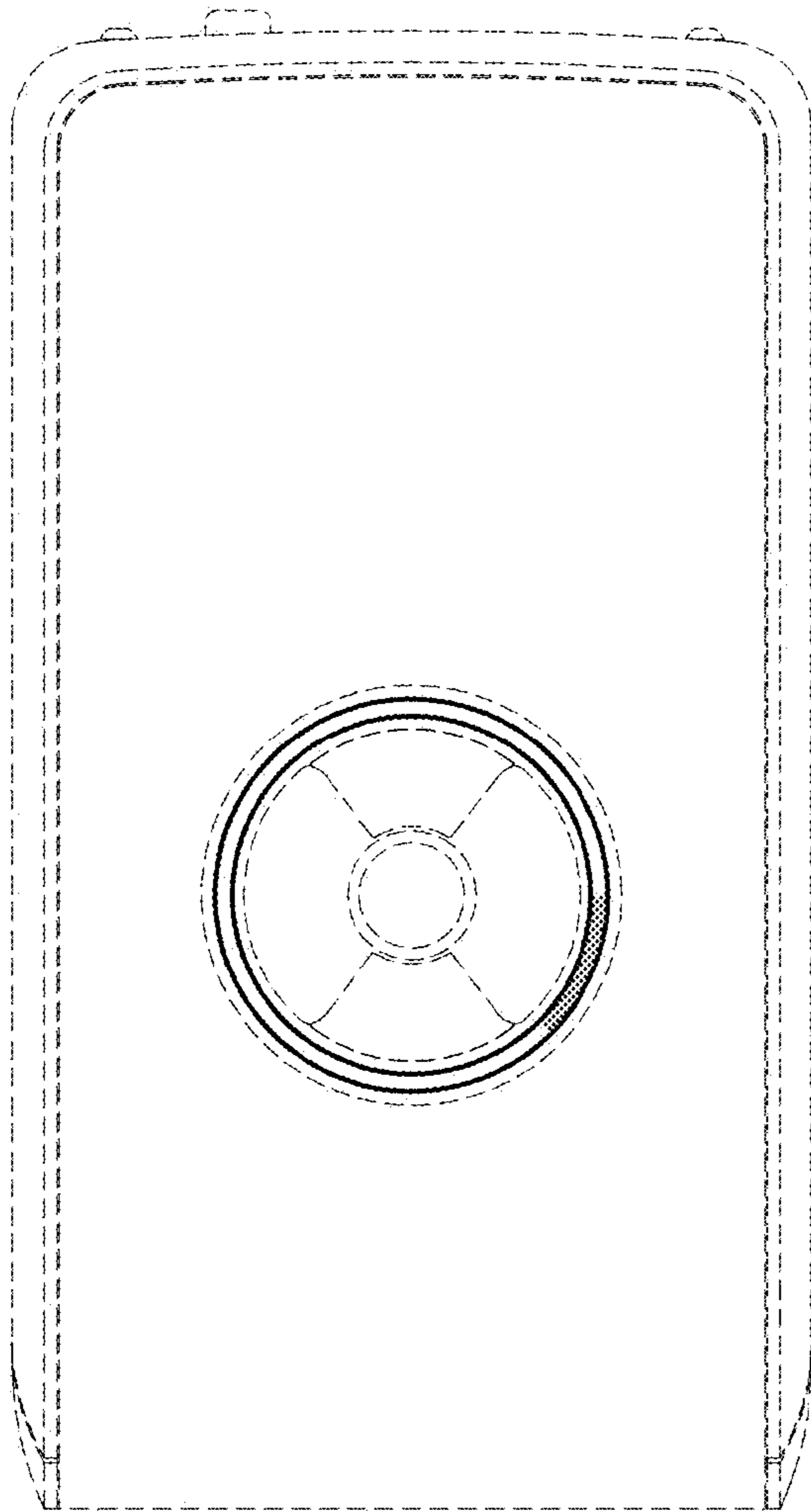


FIG. 7

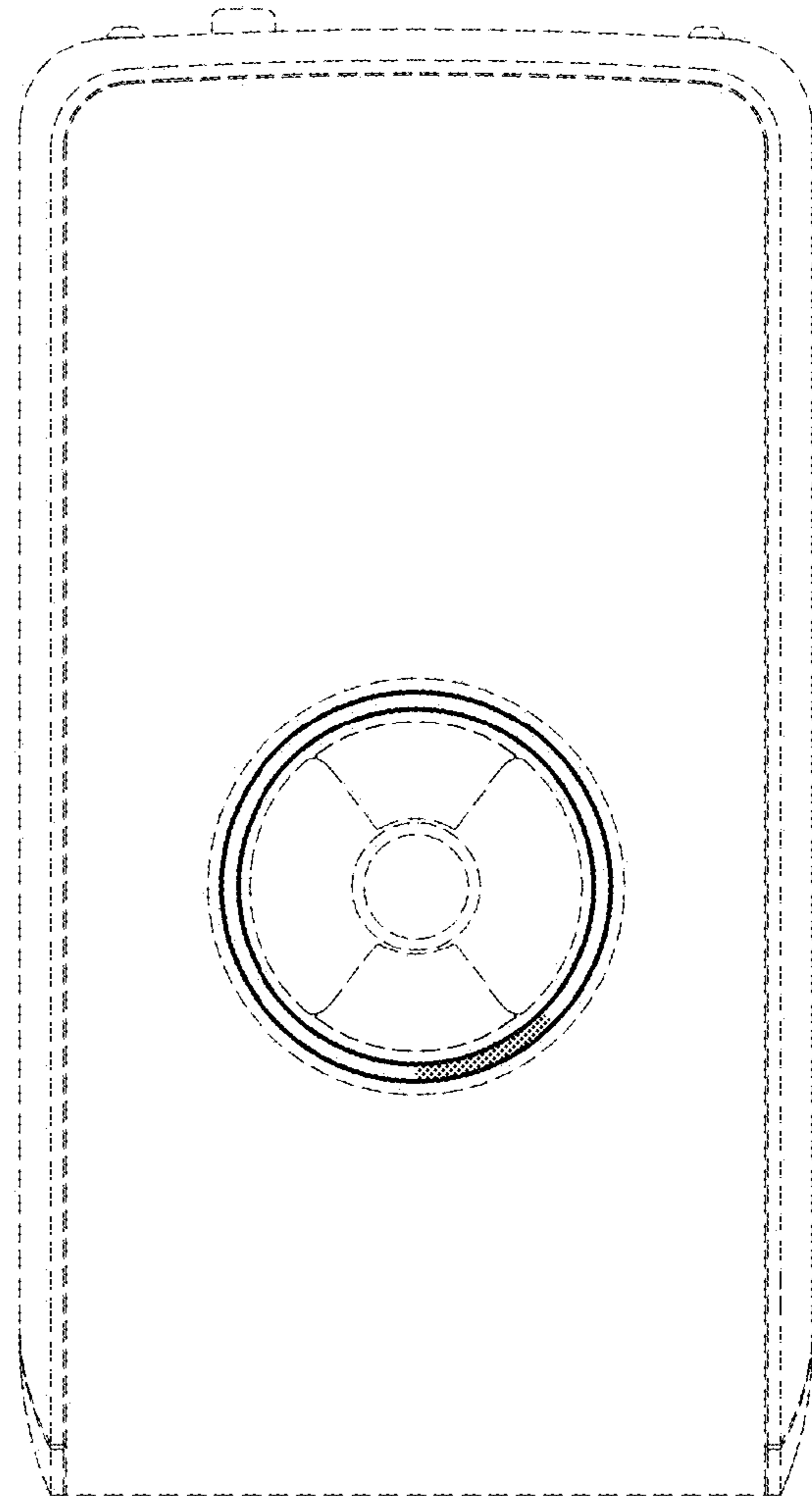


FIG. 8

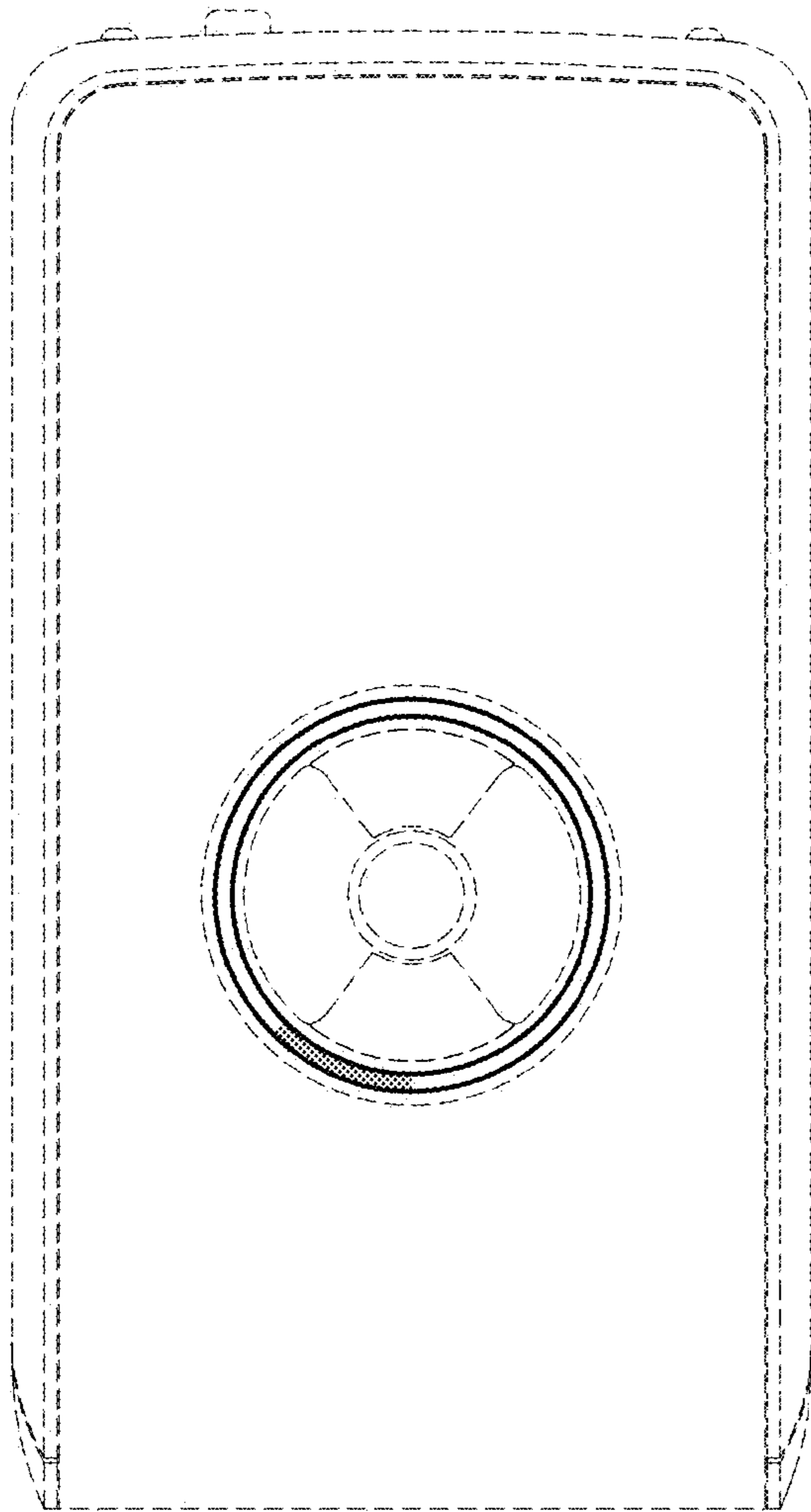


FIG. 9

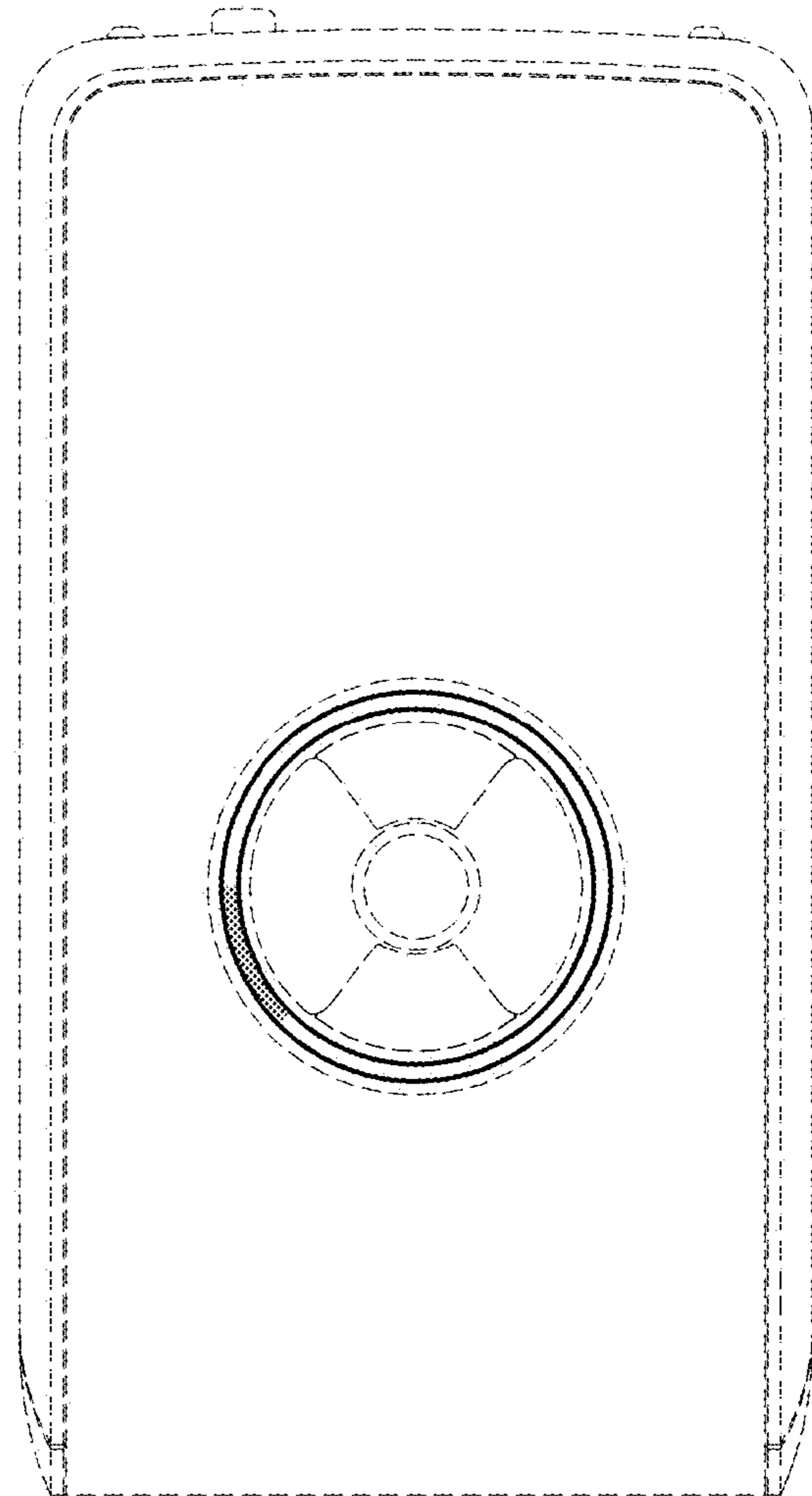


FIG. 10

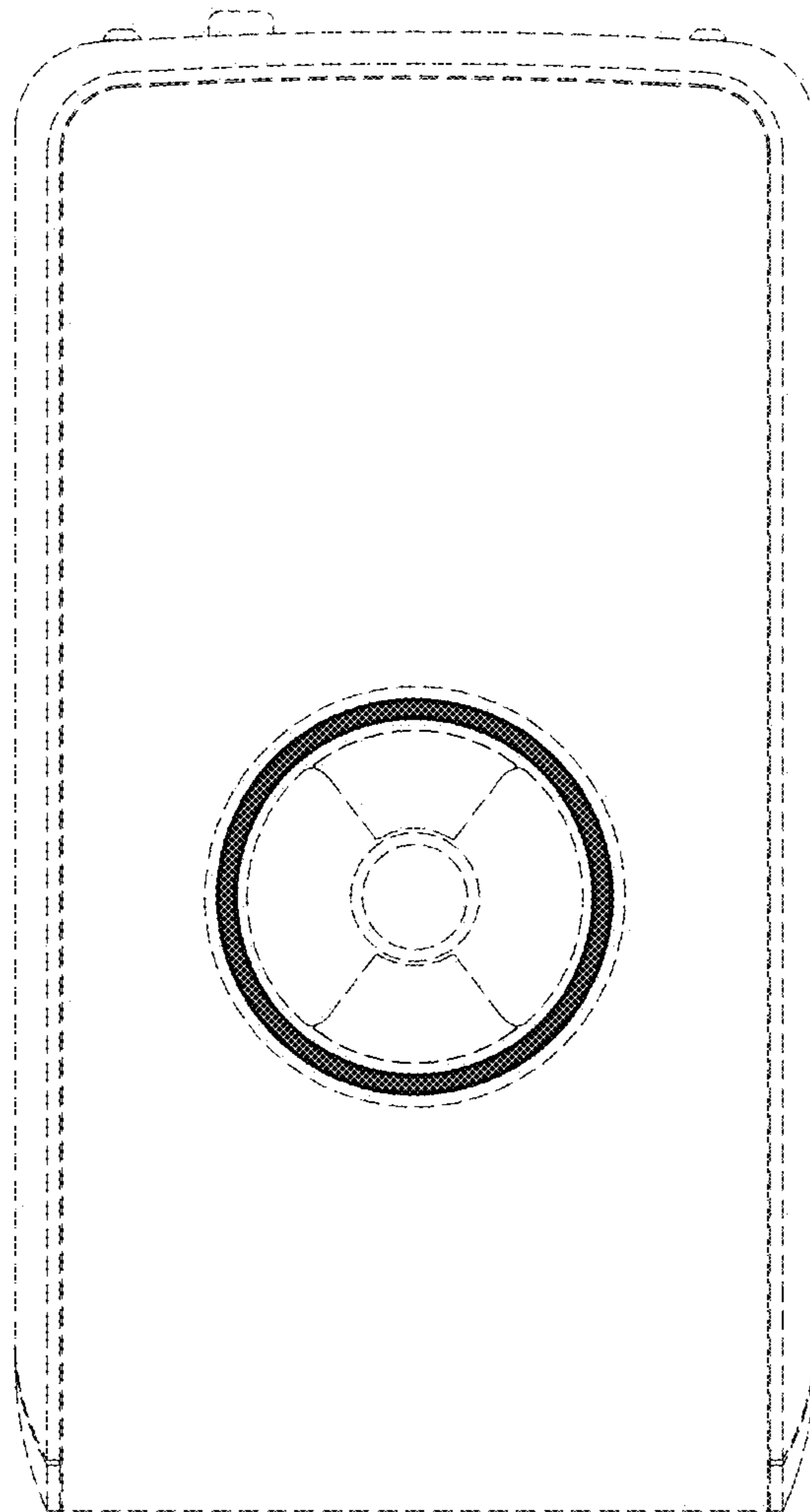


FIG. 11

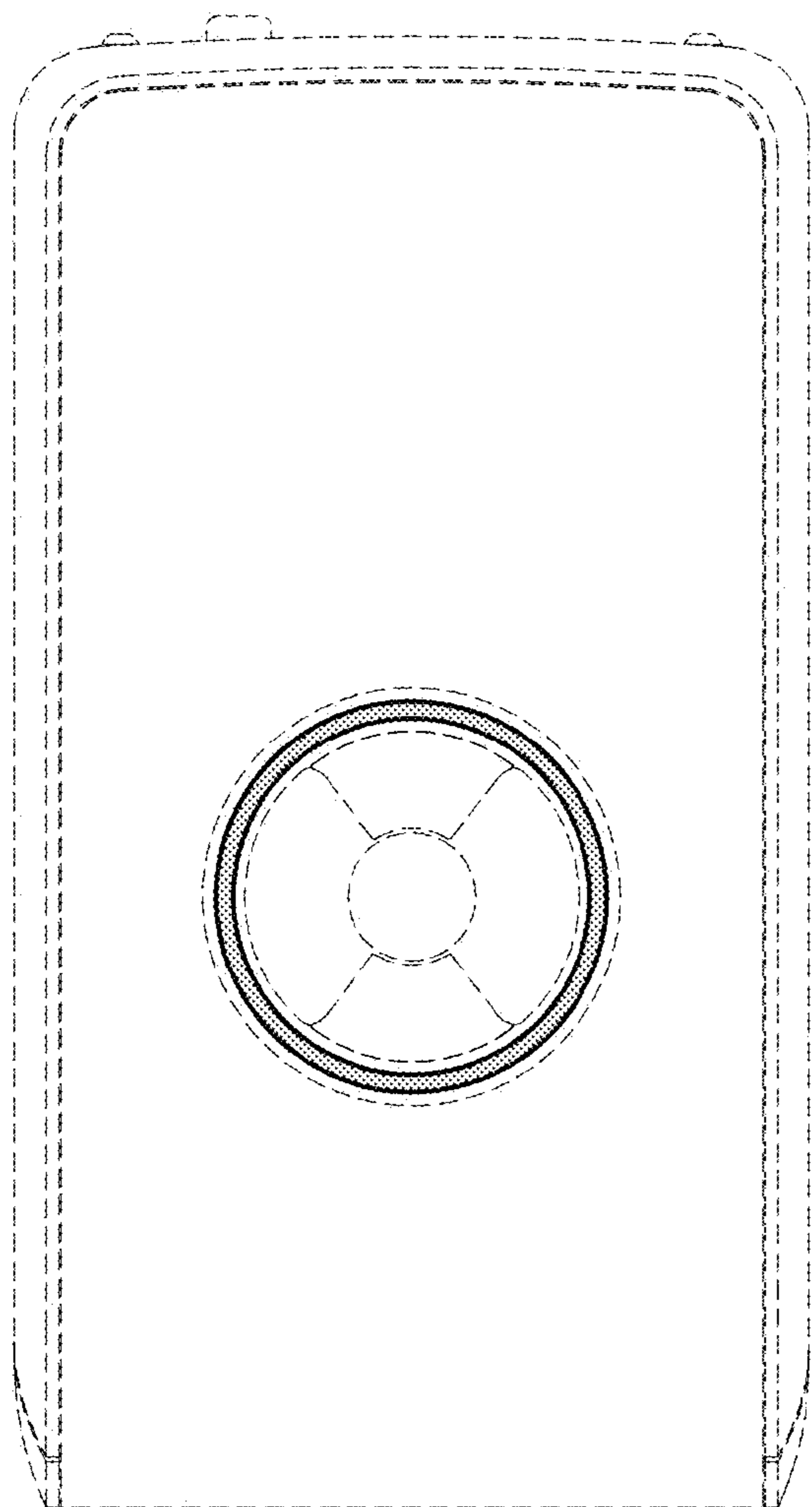


FIG. 12

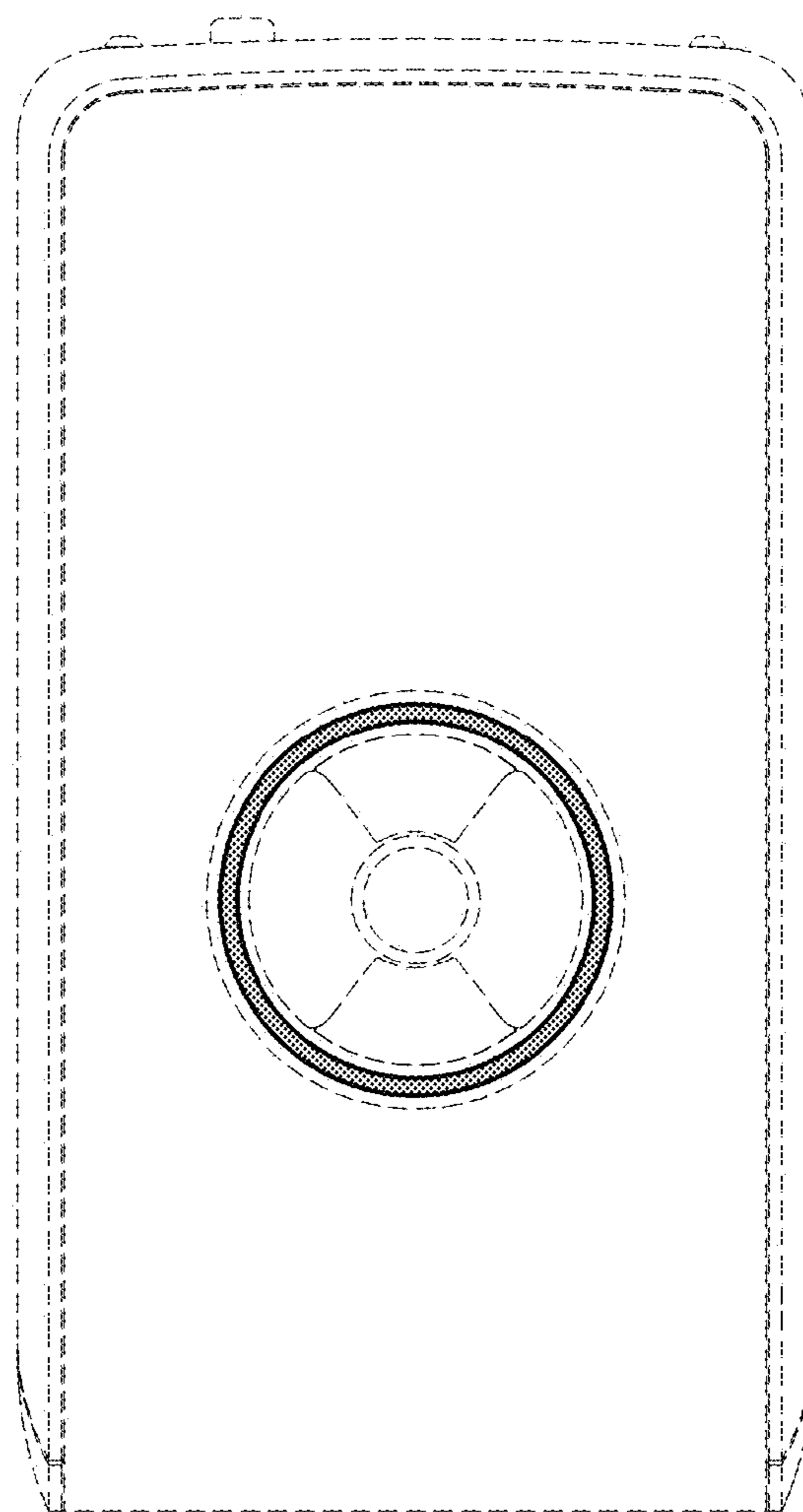


FIG. 13

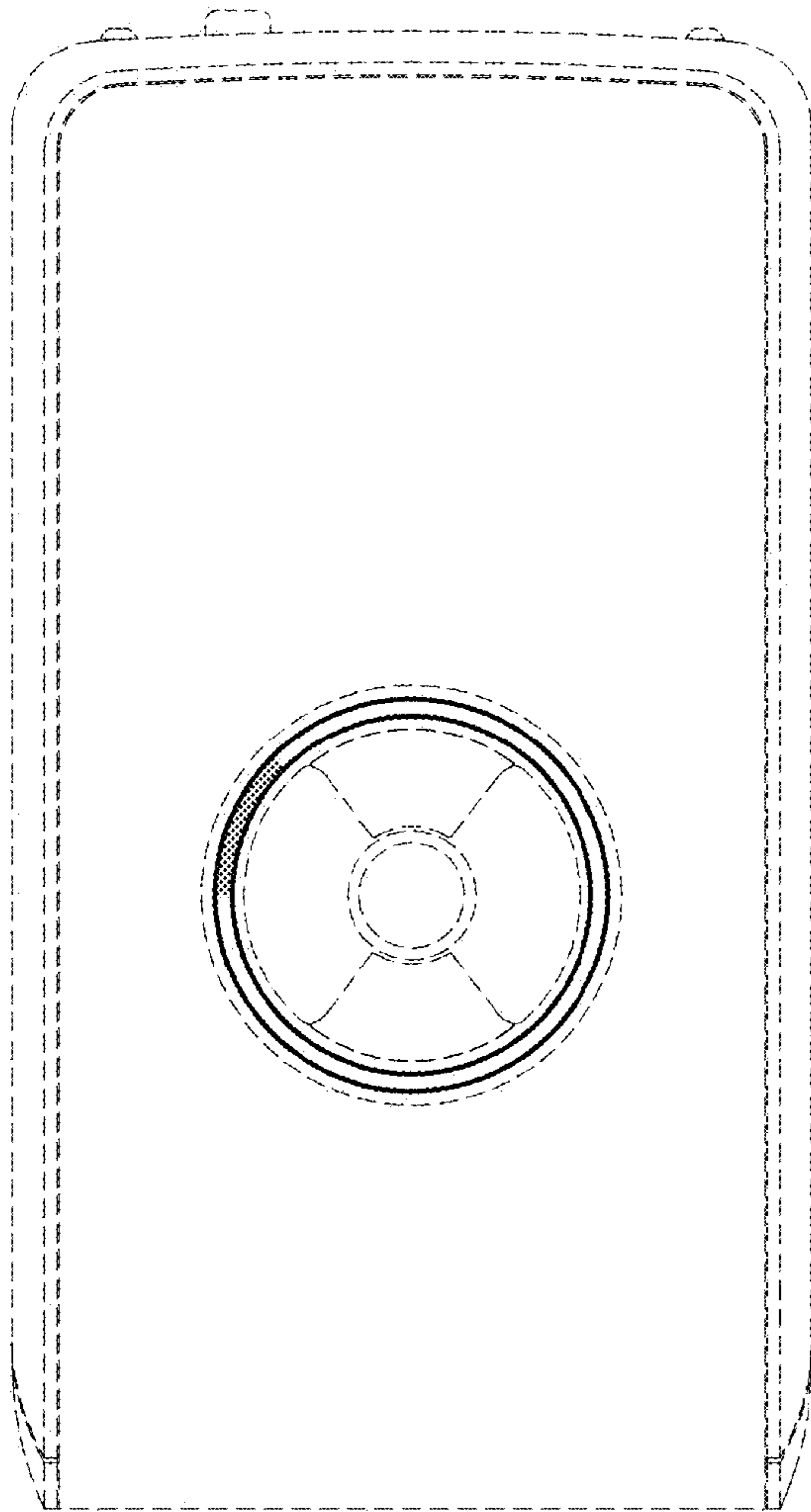


FIG. 14

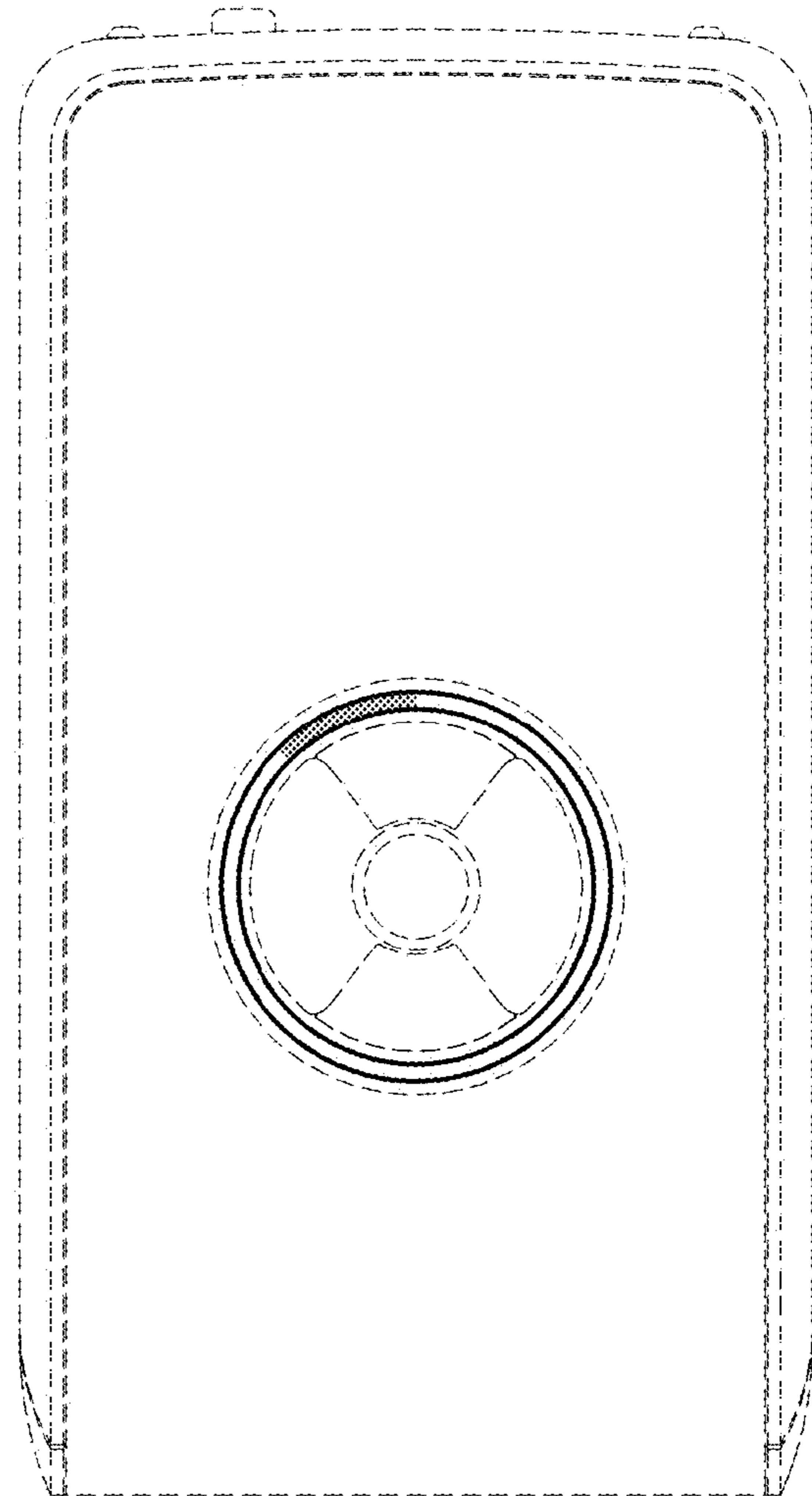


FIG. 15

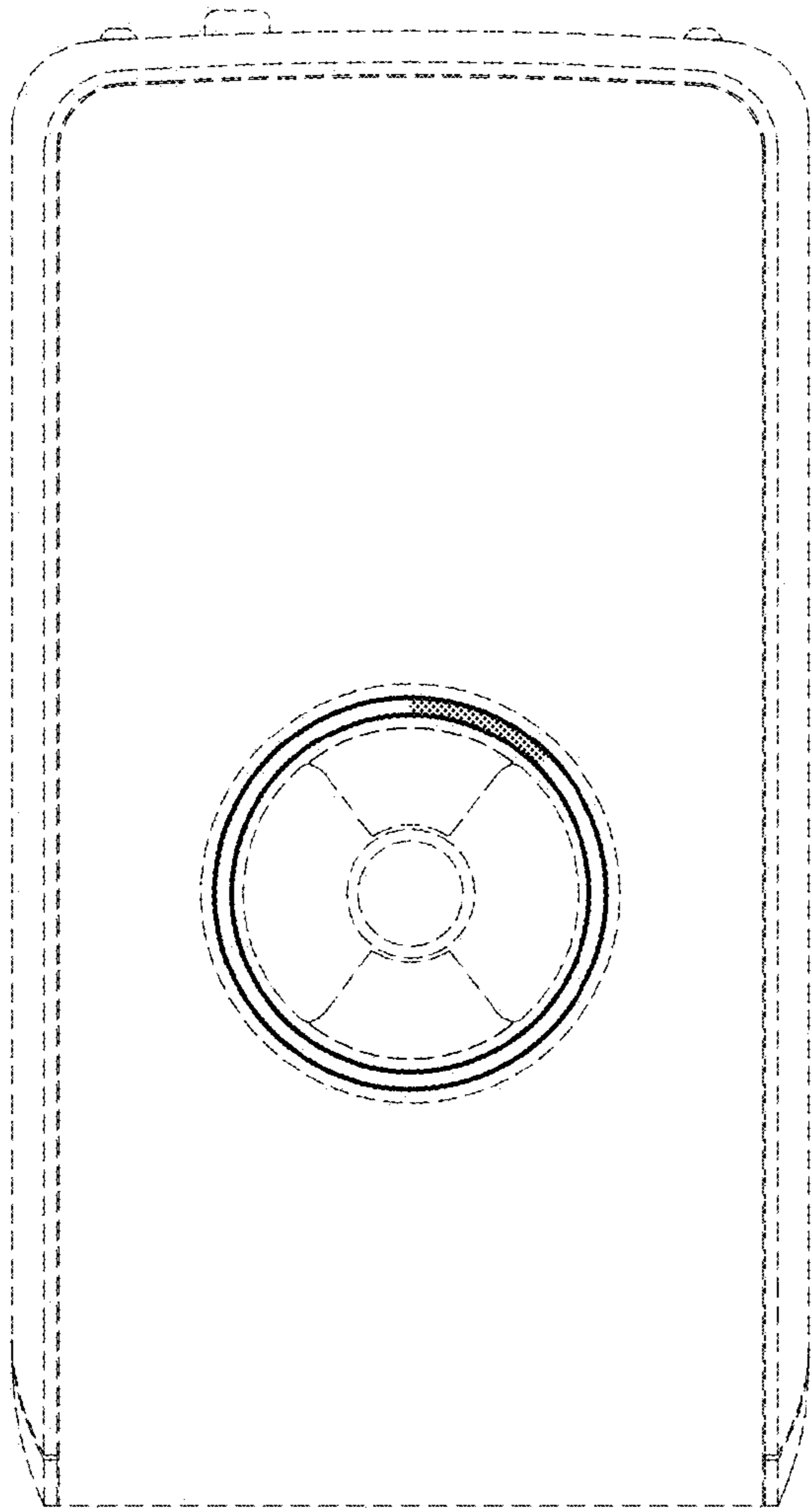


FIG. 16

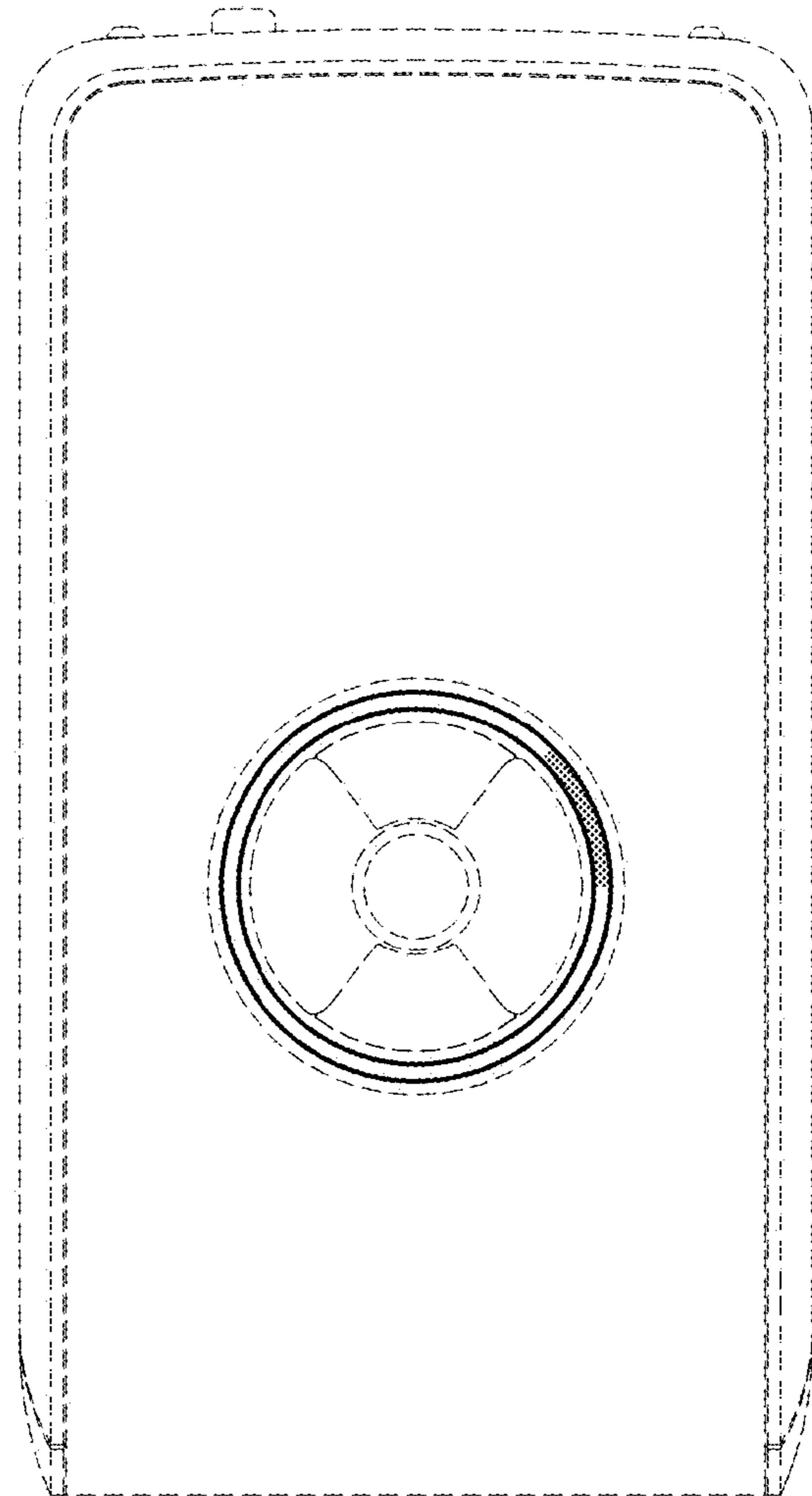


FIG. 17

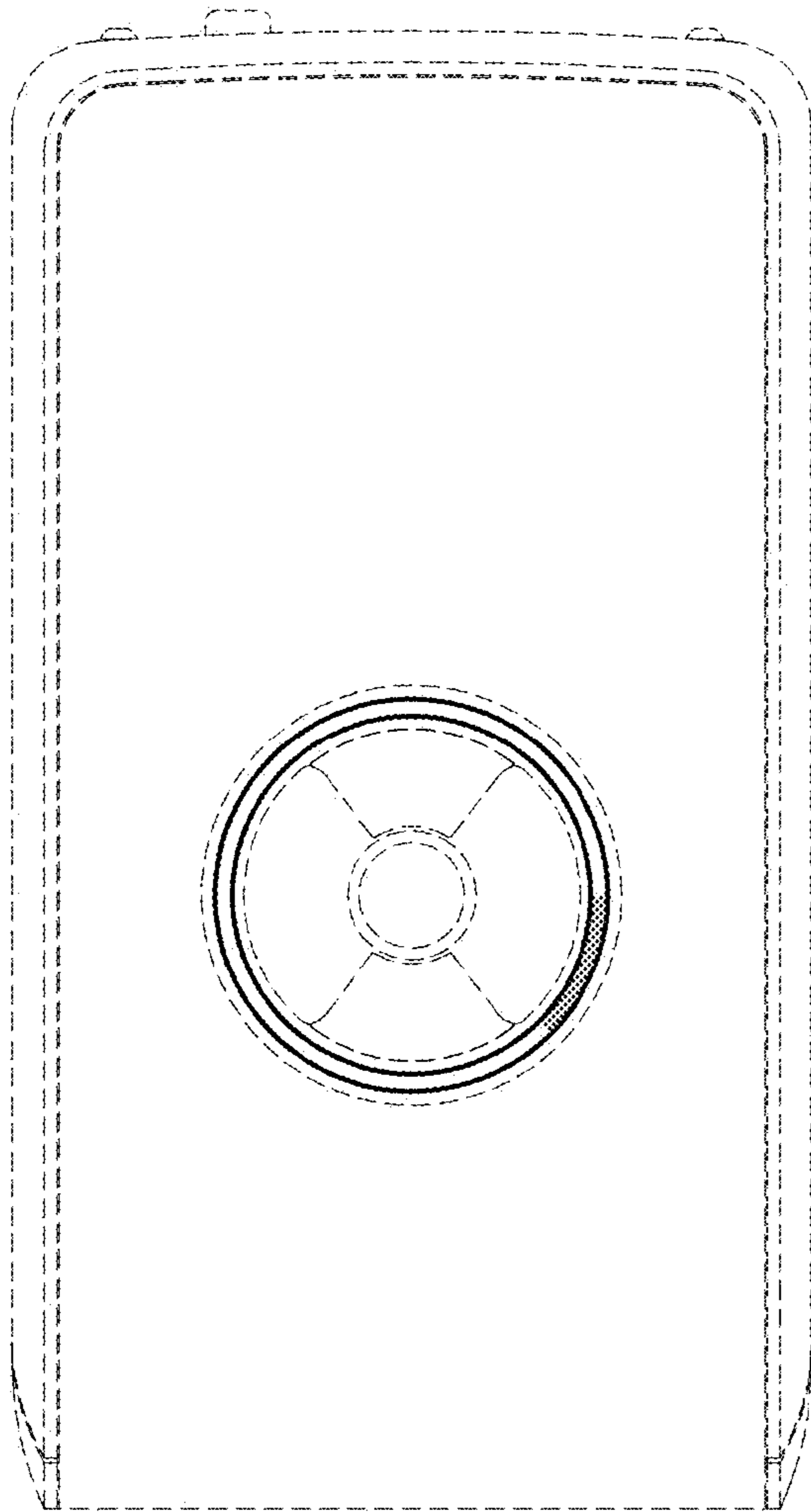


FIG. 18

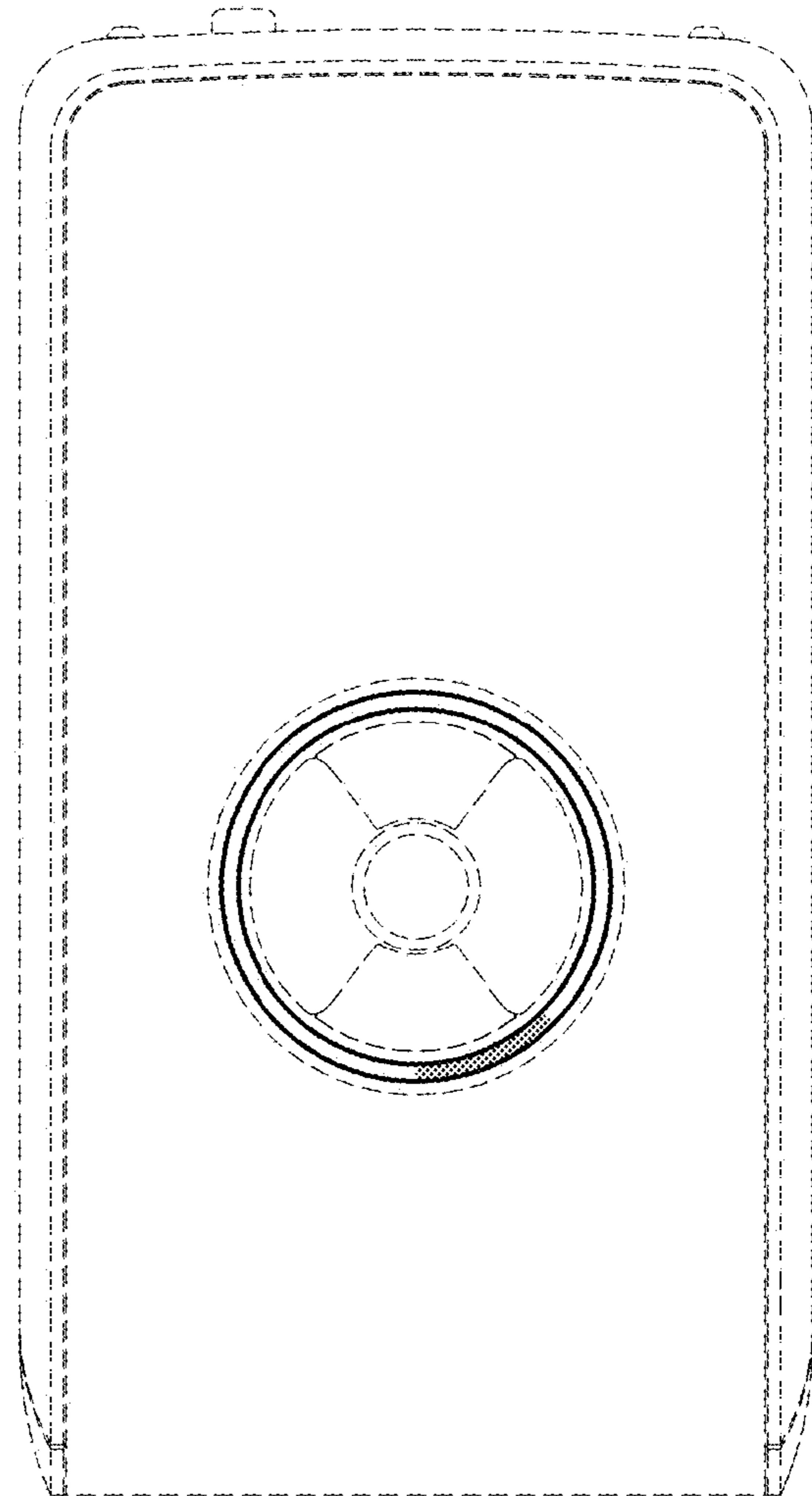


FIG. 19

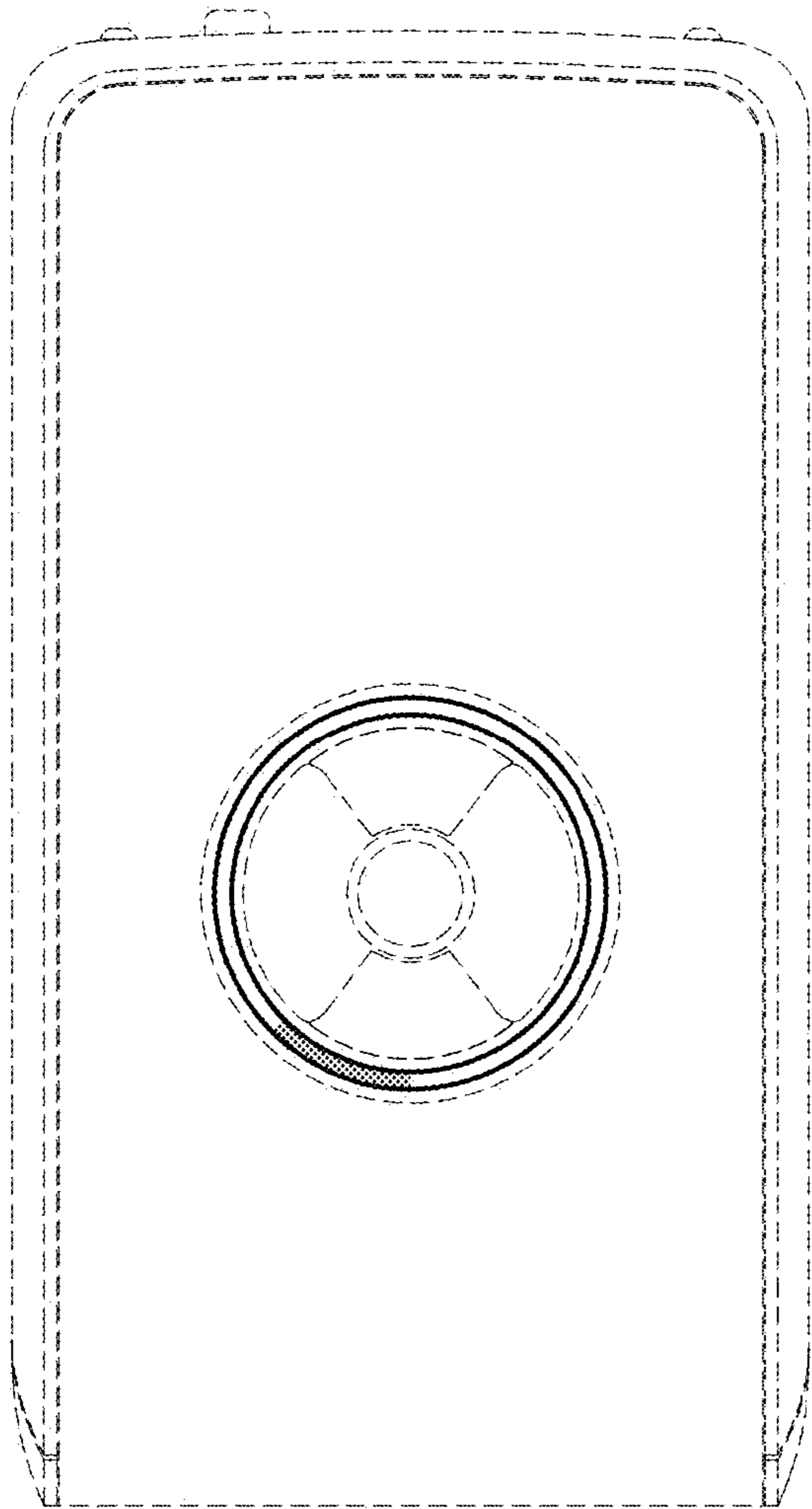


FIG. 20

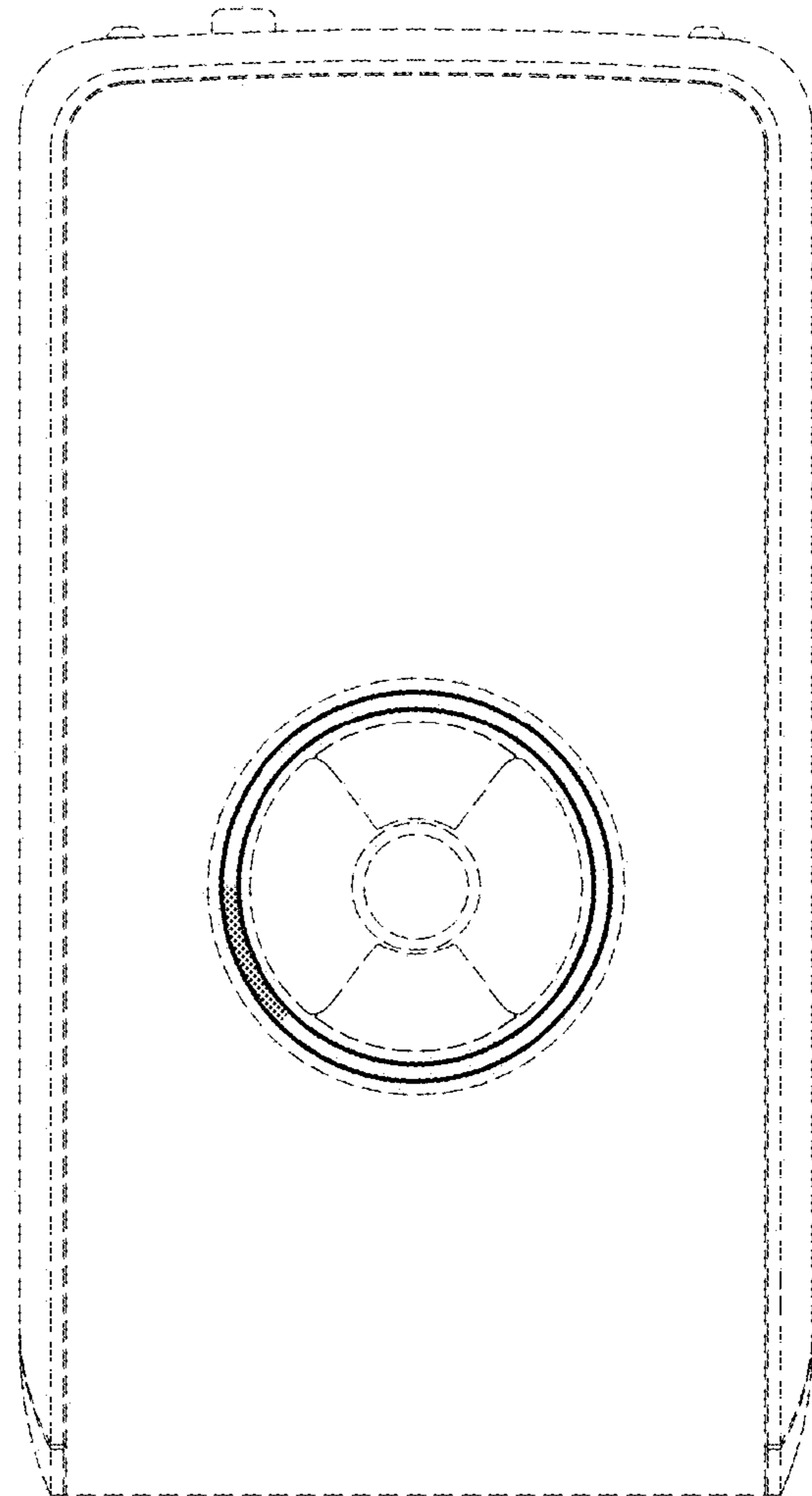


FIG. 21

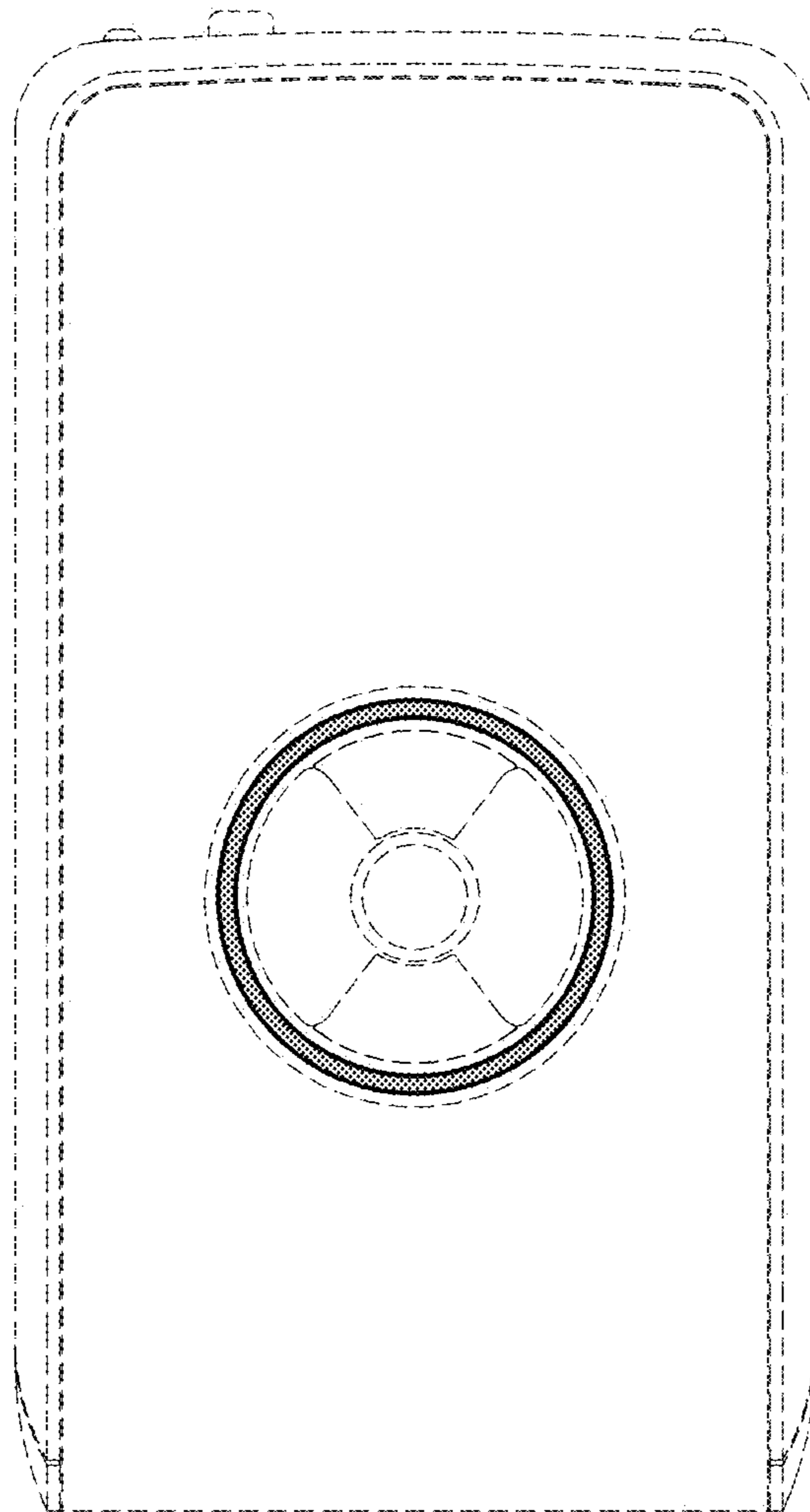


FIG. 22

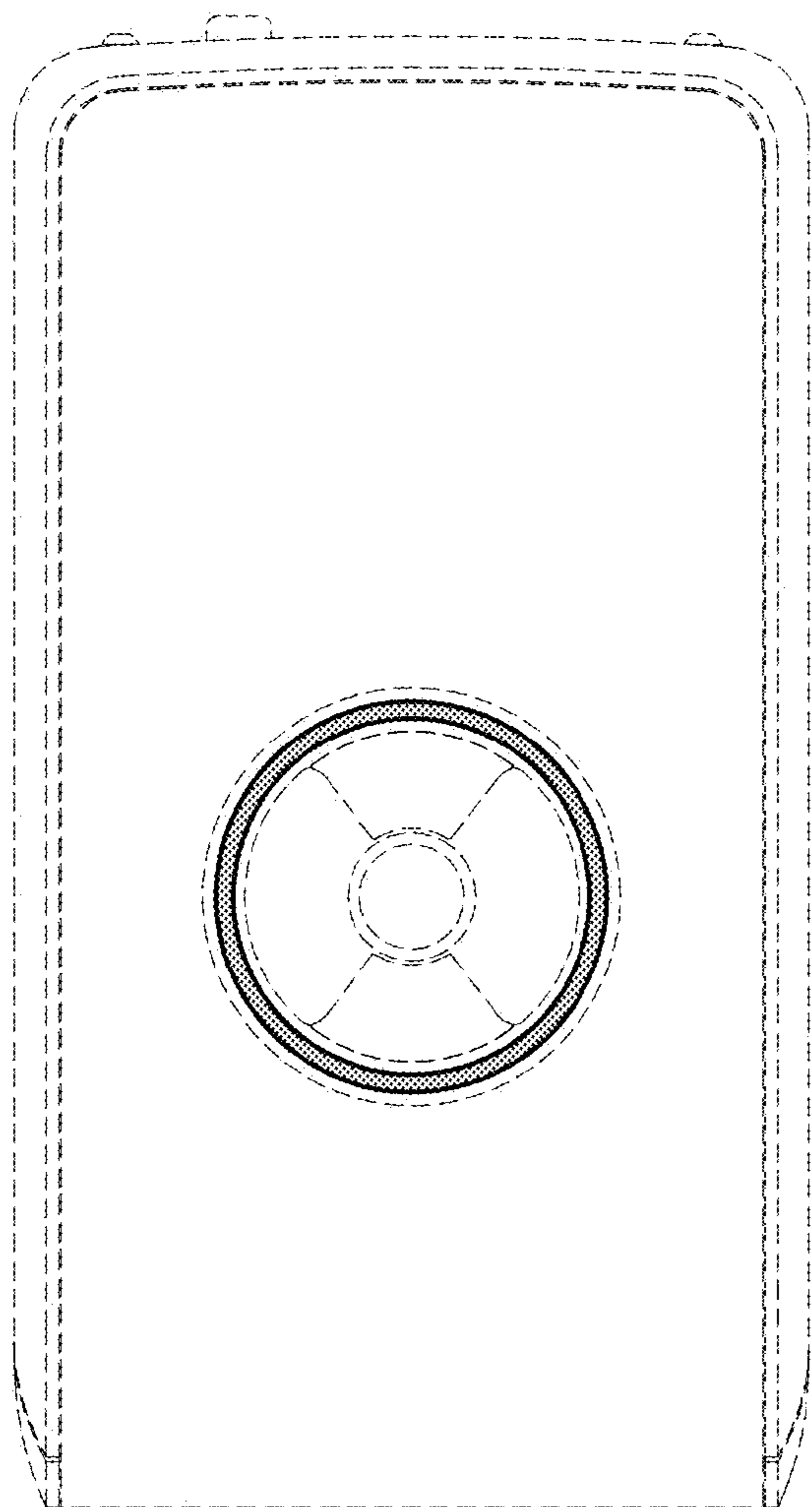


FIG. 23

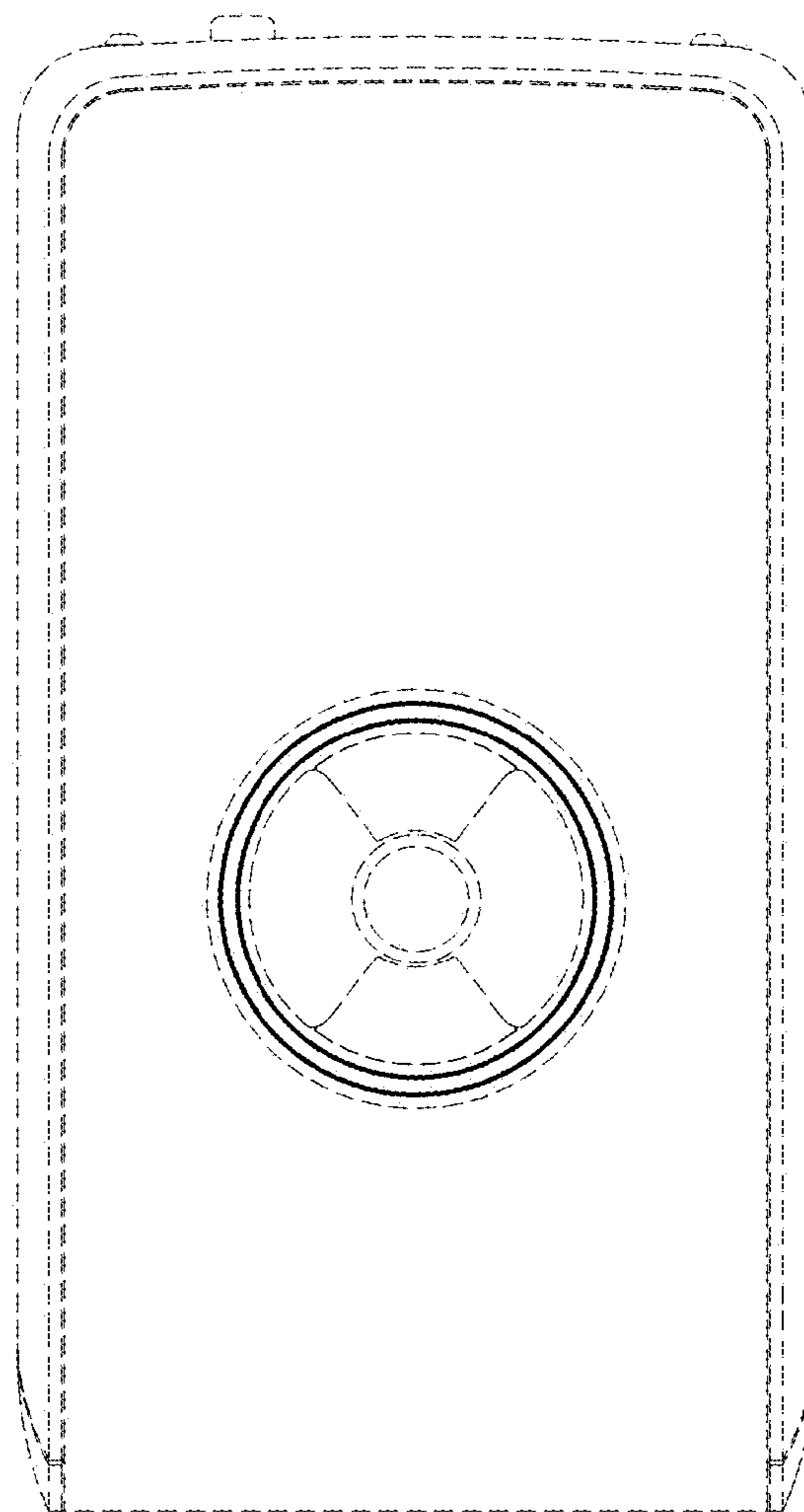


FIG. 24

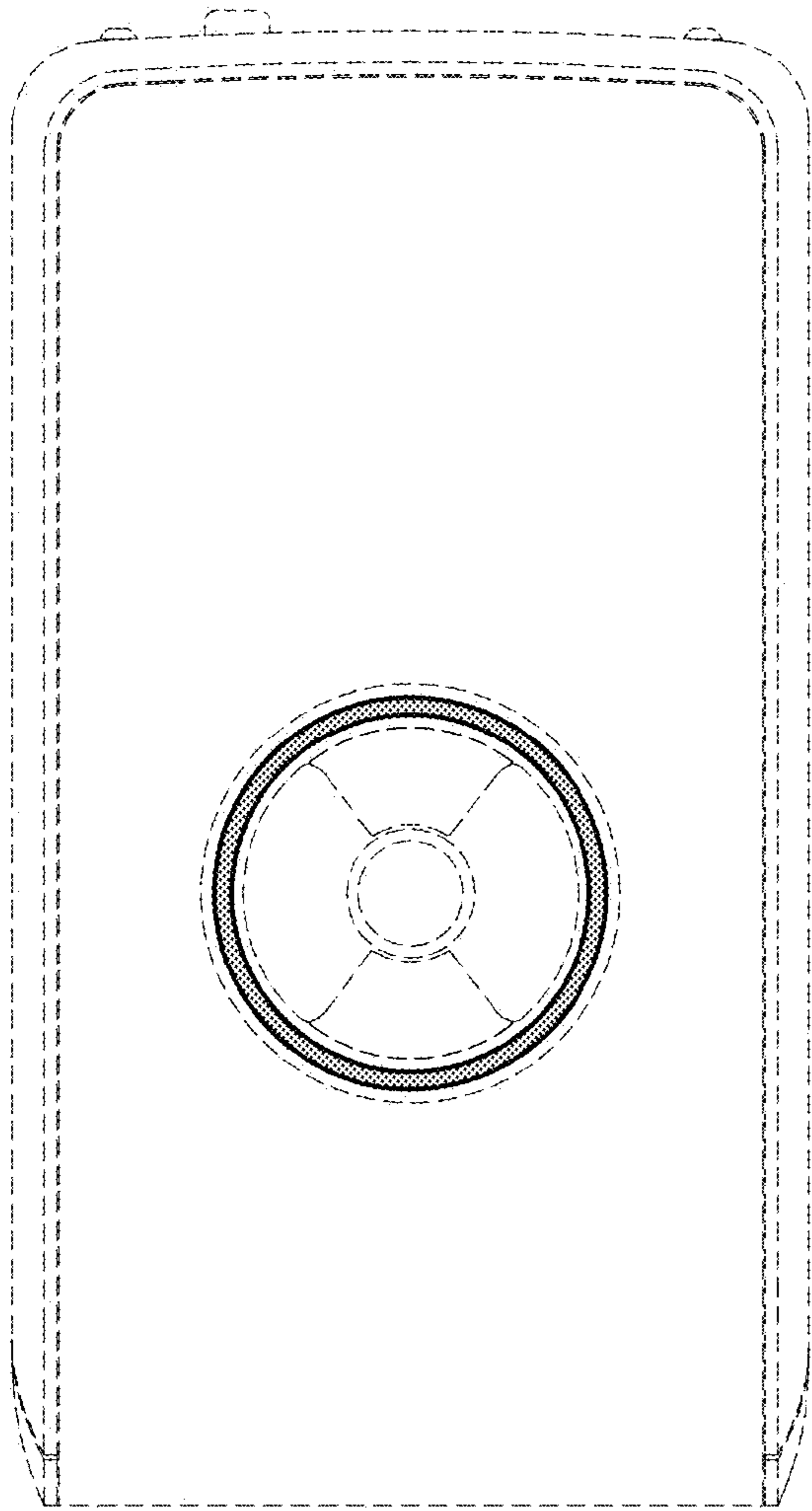


FIG. 25

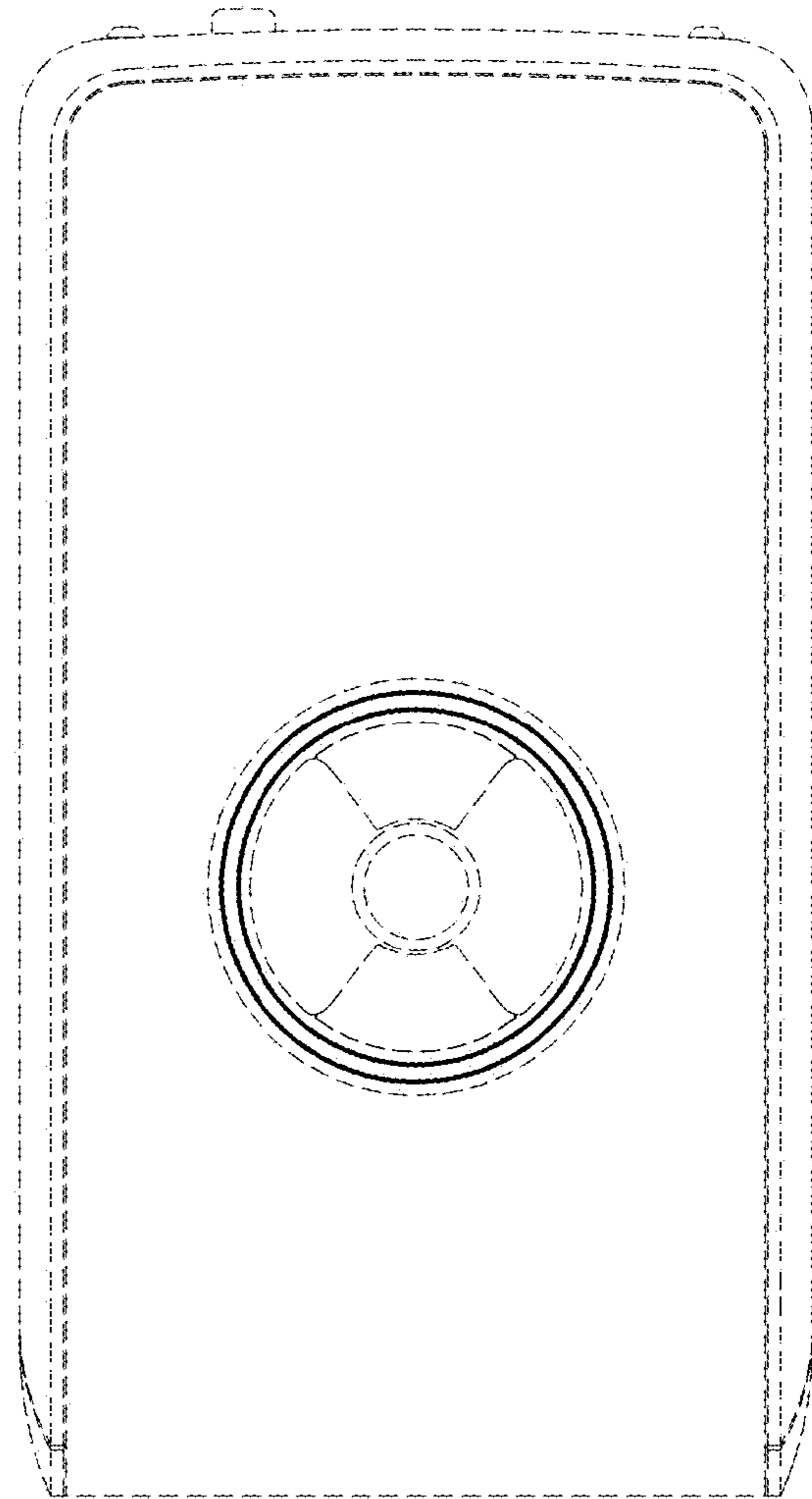


FIG. 26

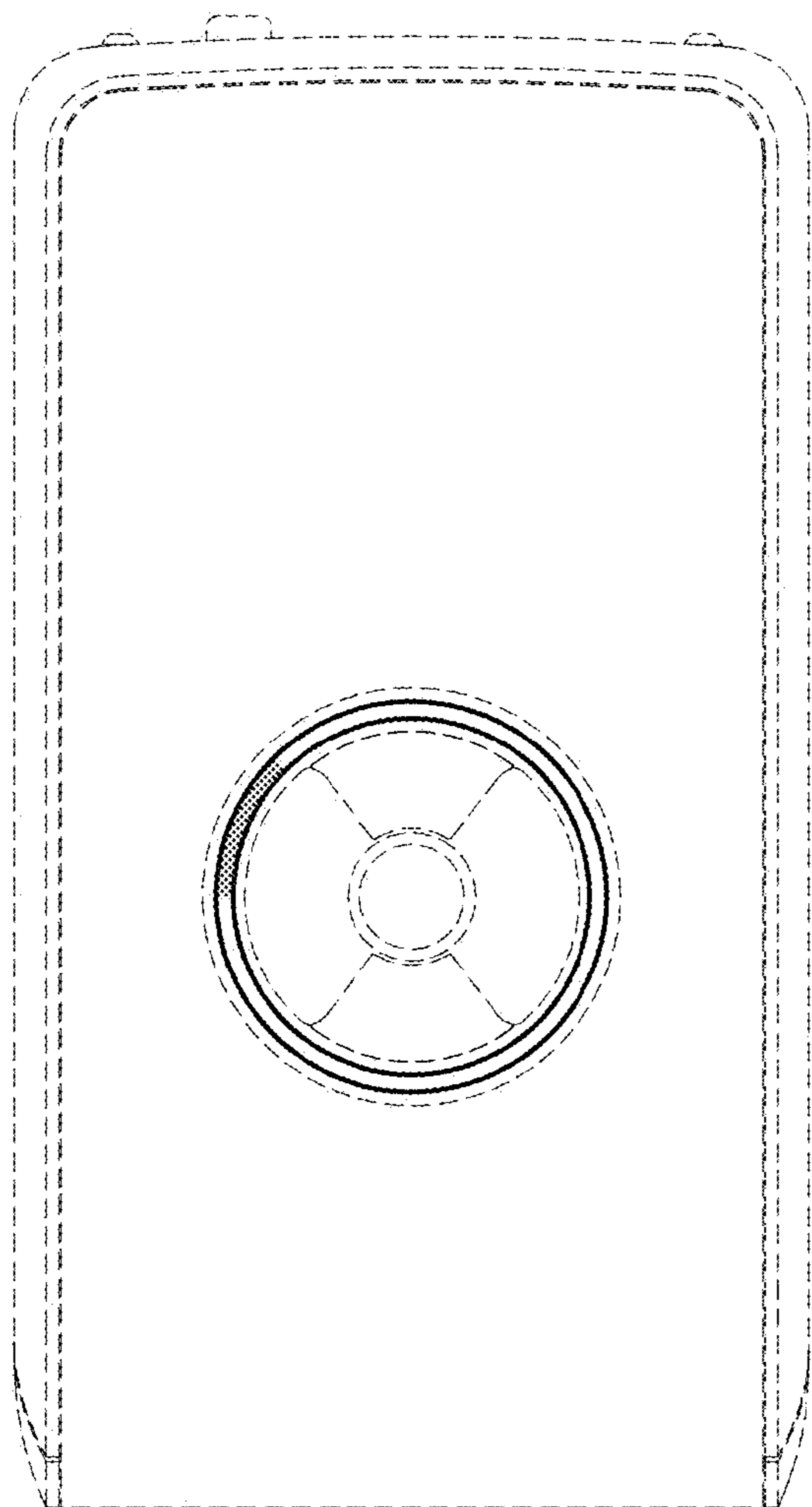


FIG. 27

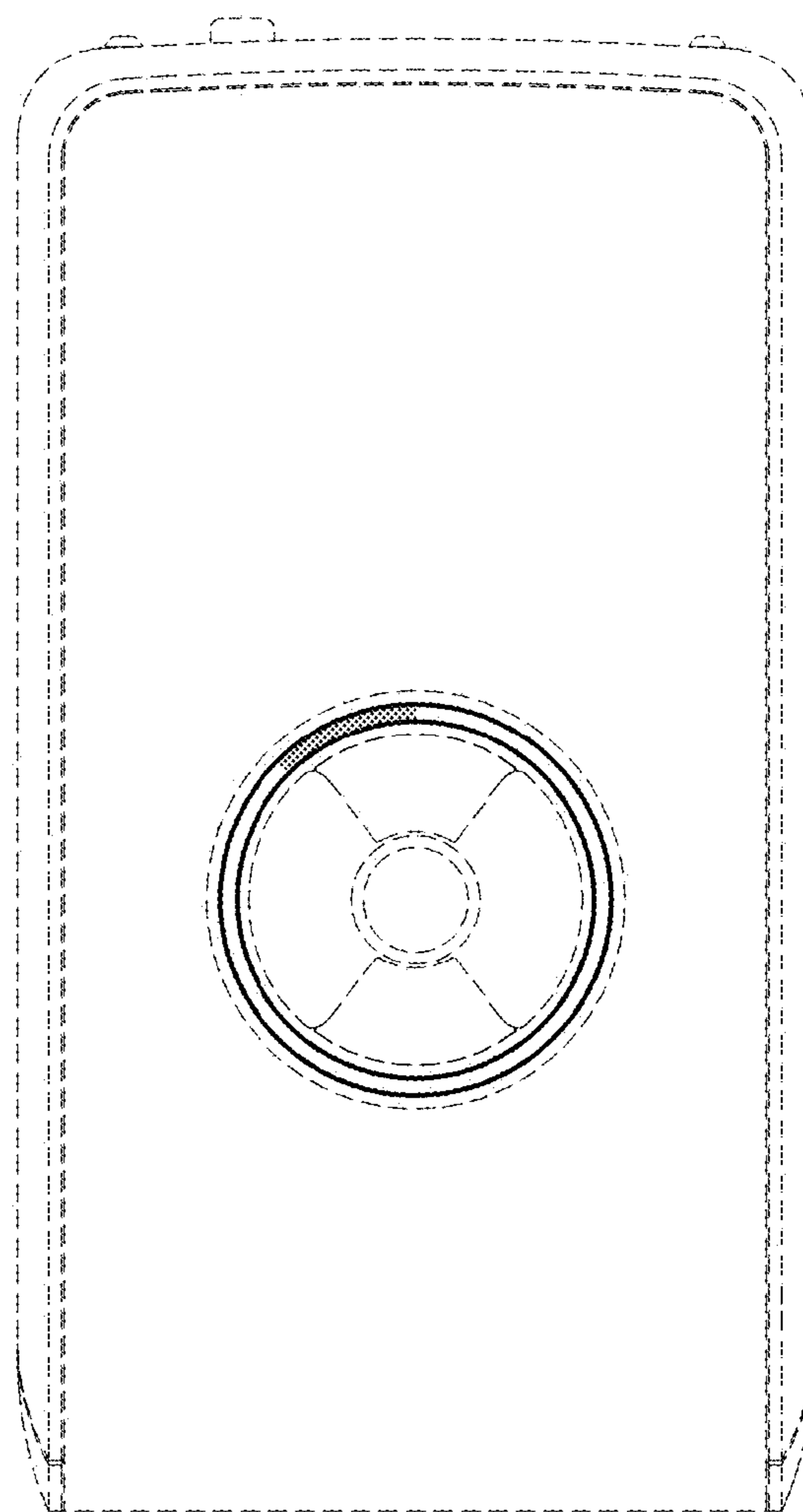


FIG. 28

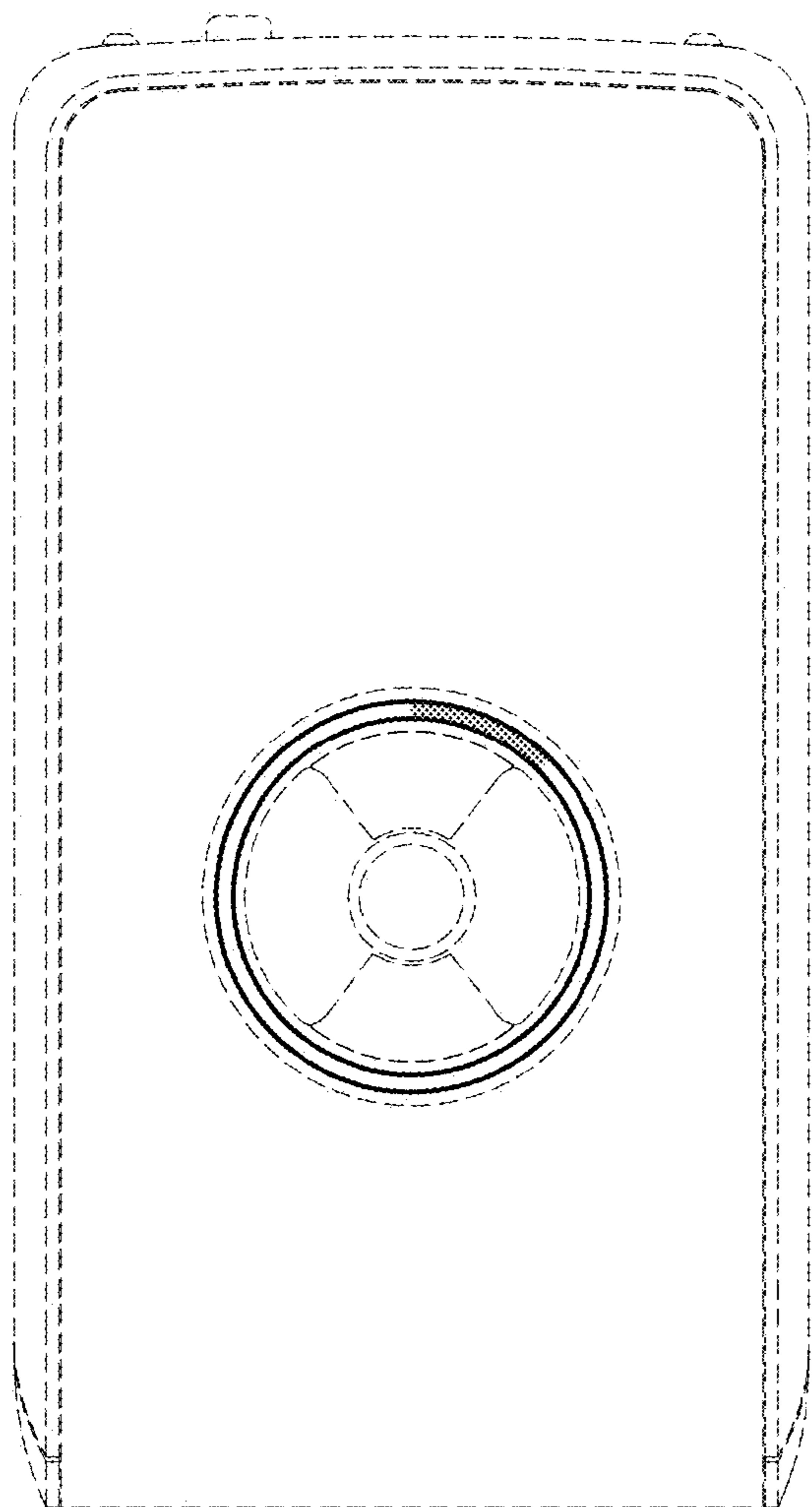


FIG. 29

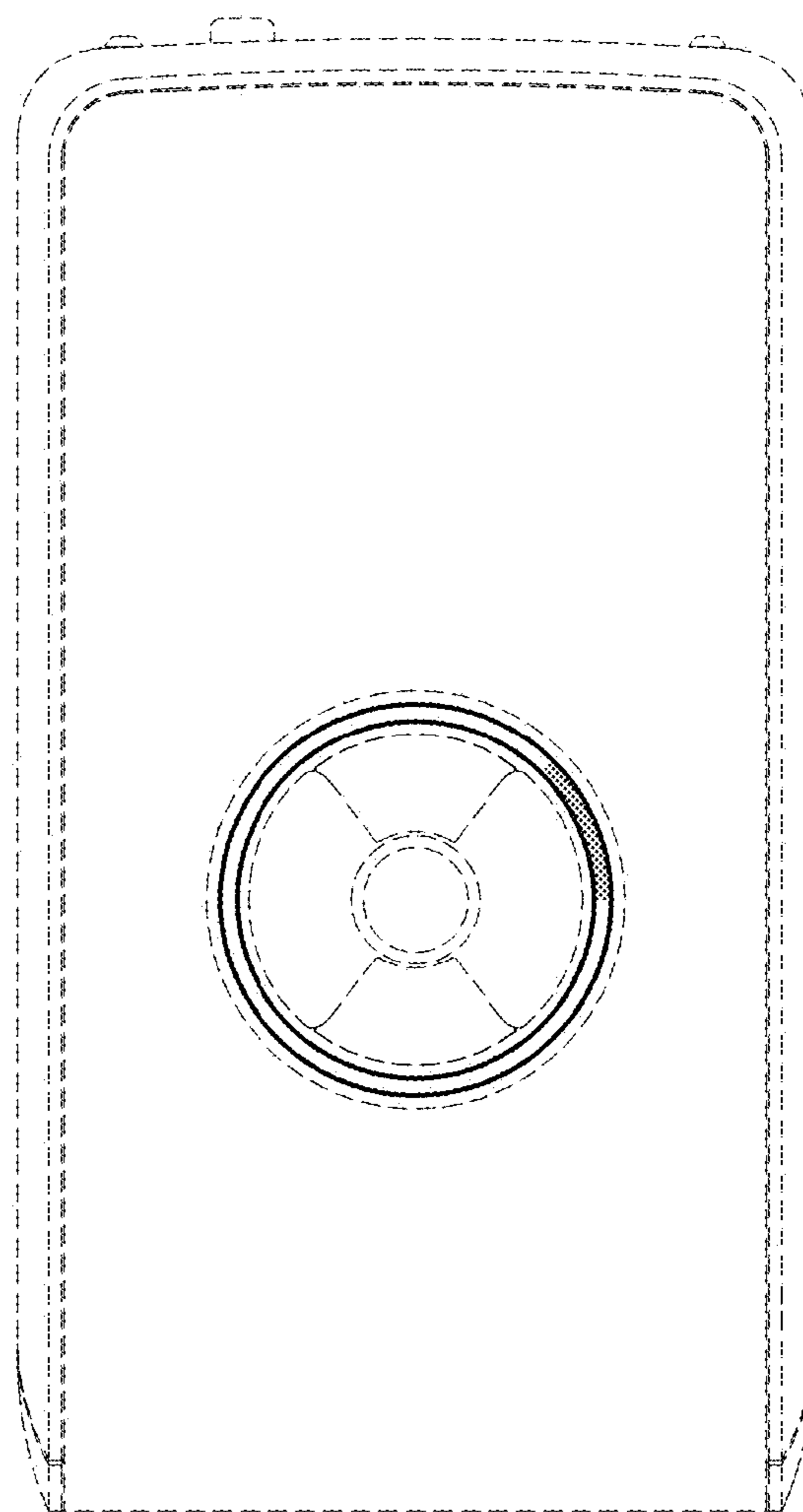


FIG. 30

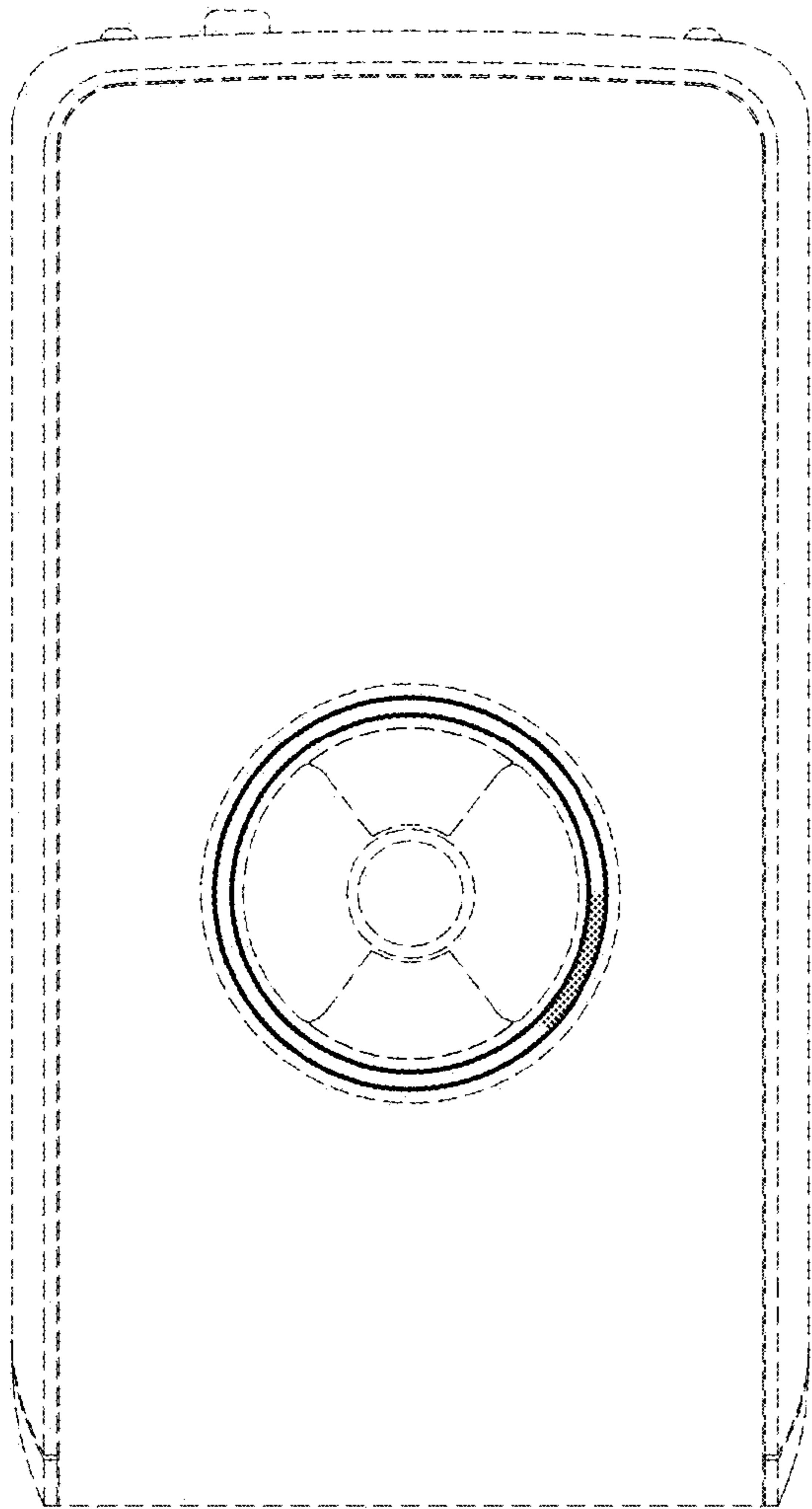


FIG. 31

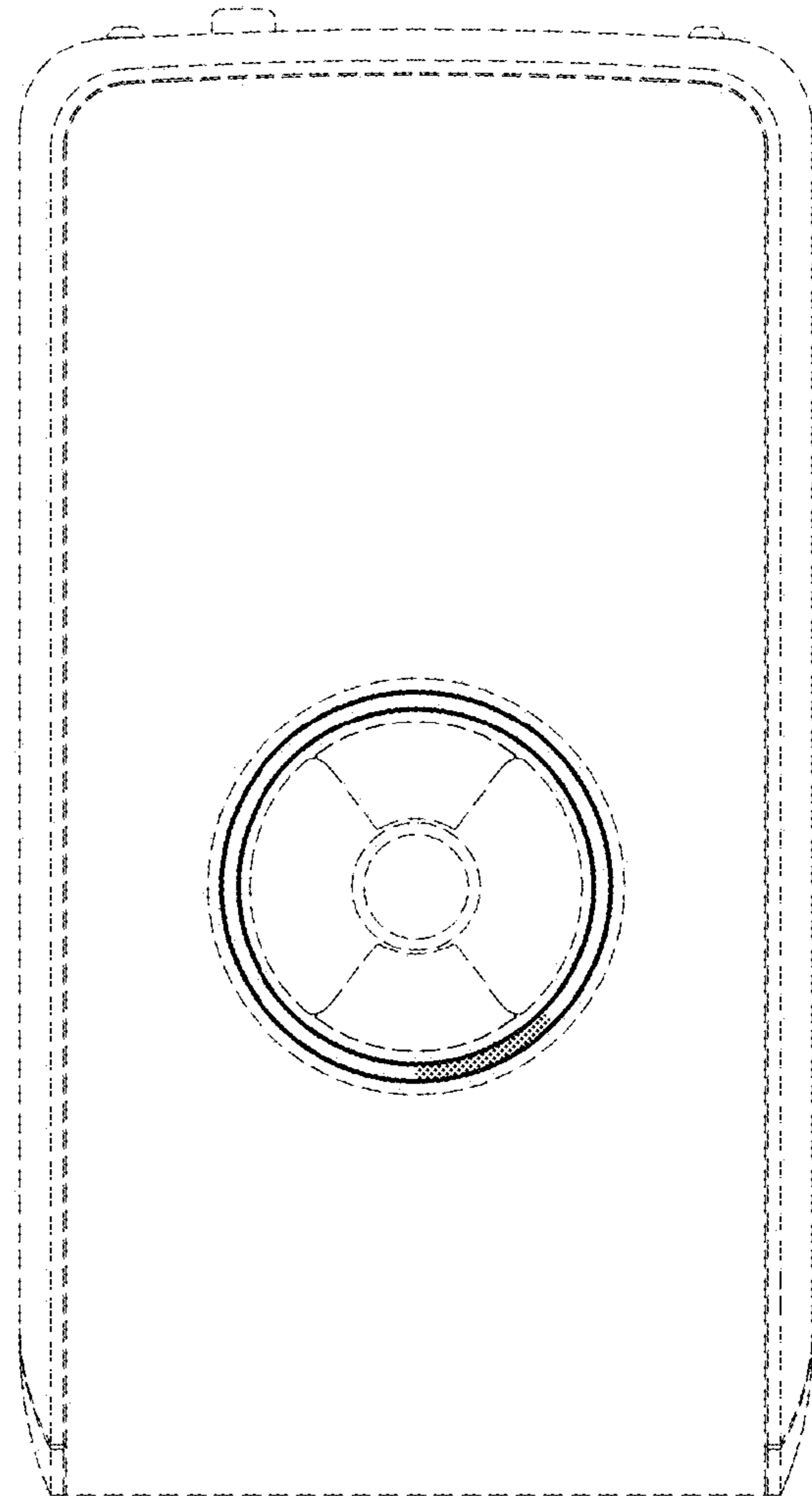


FIG. 32

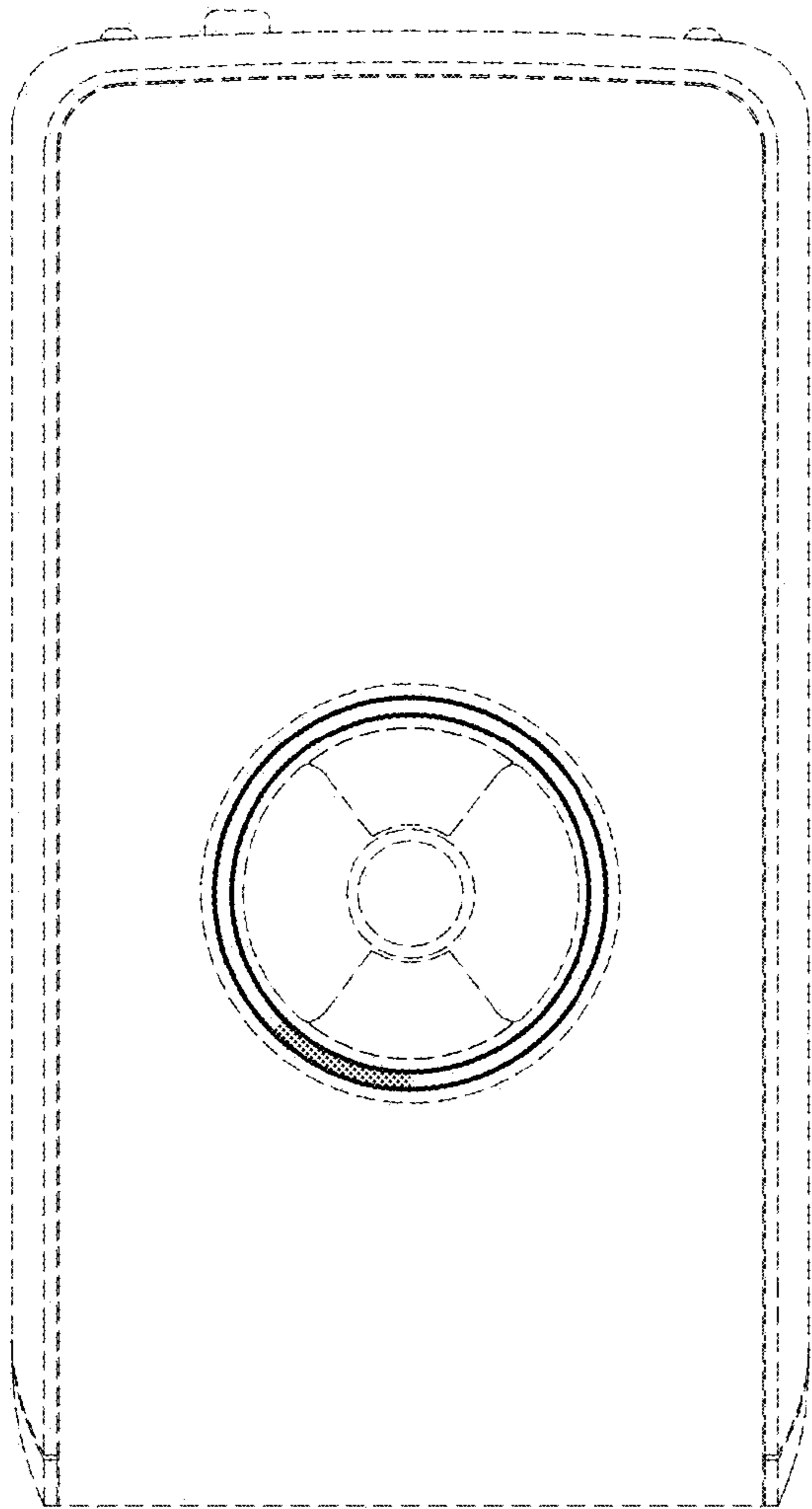


FIG. 33

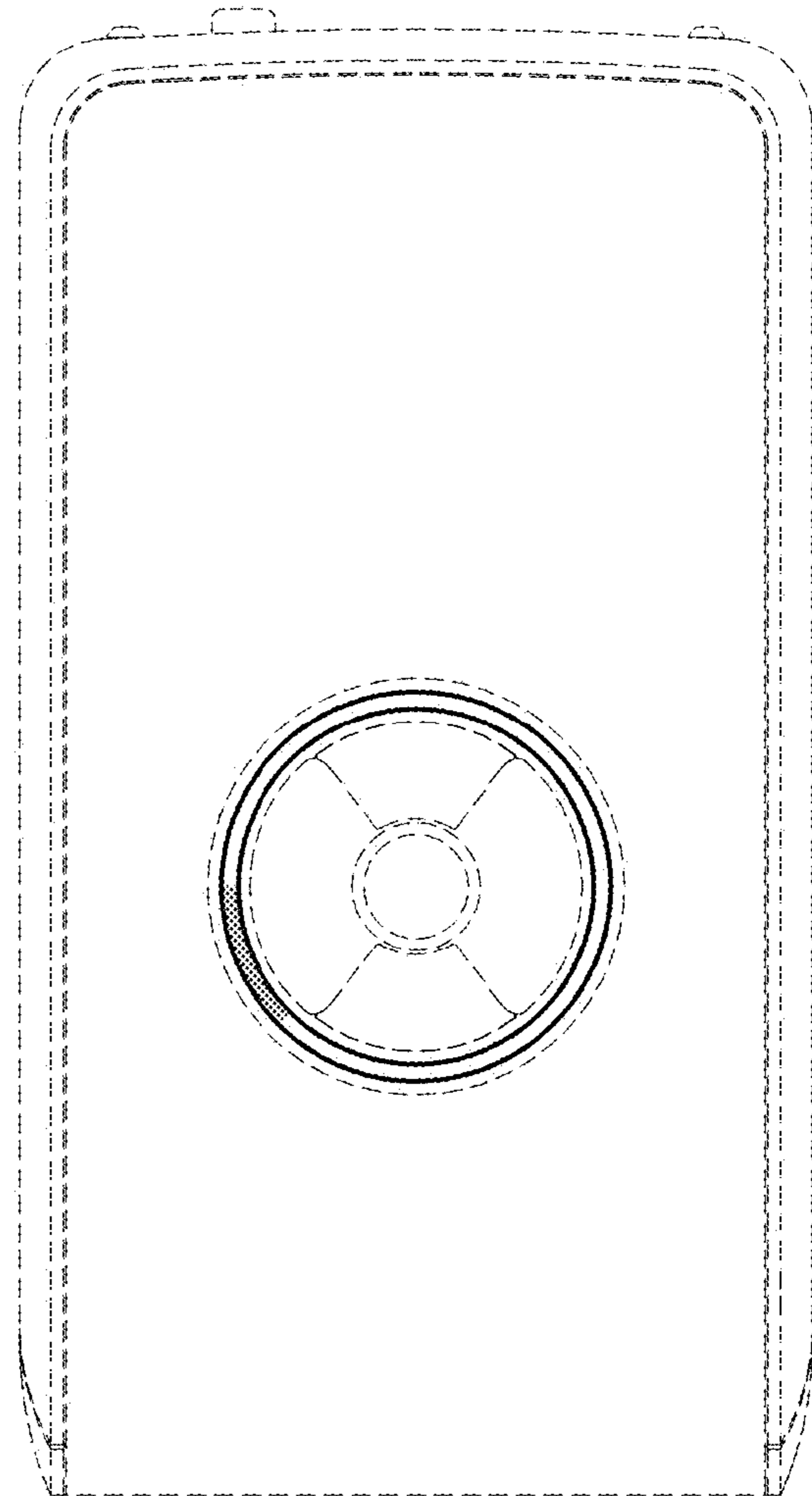


FIG. 34

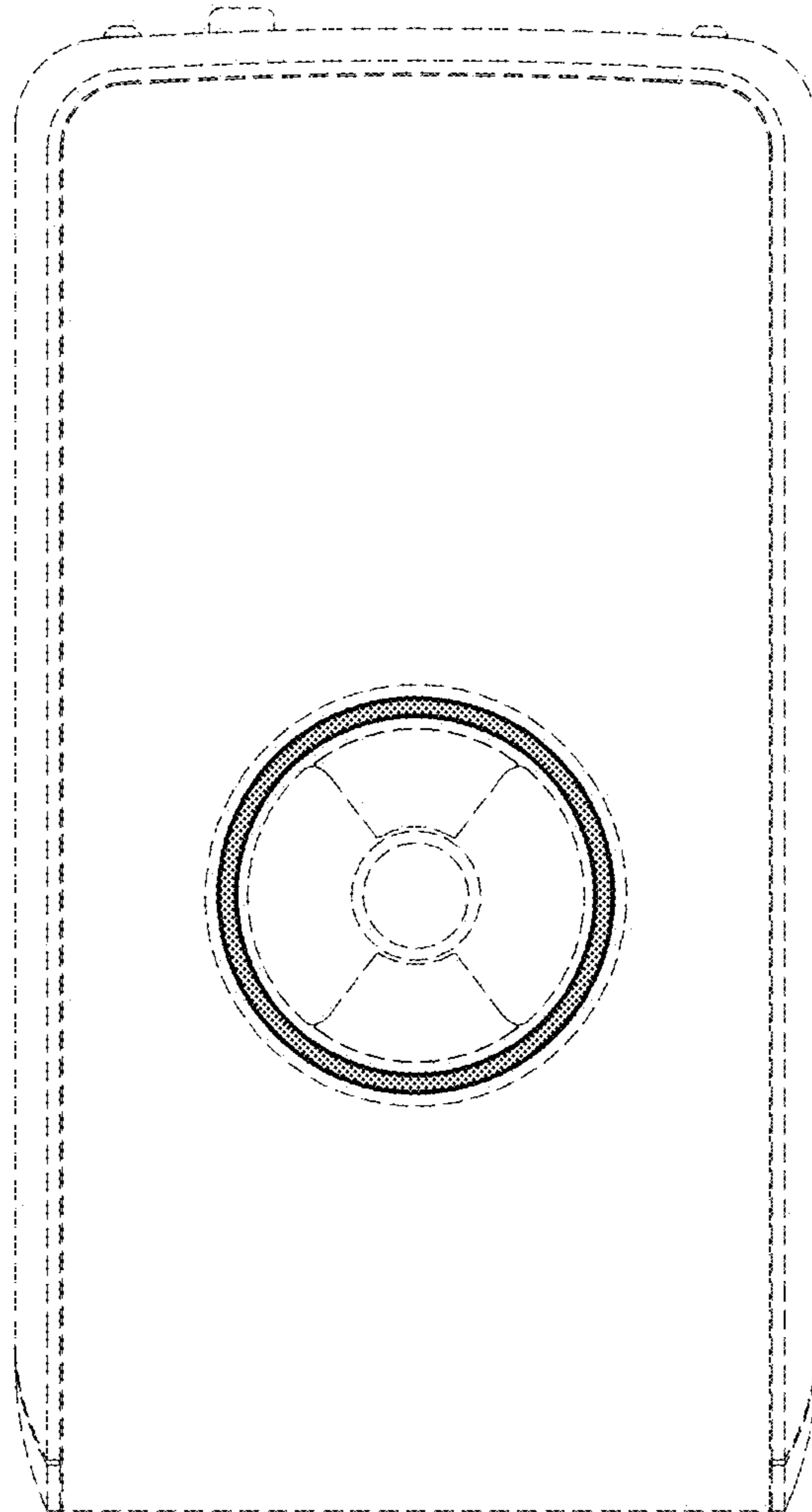


FIG. 35