



US00D913317S

(12) **United States Design Patent**  
**Lider**

(10) **Patent No.:** **US D913,317 S**

(45) **Date of Patent:** **\*\* Mar. 16, 2021**

(54) **DISPLAY SCREEN WITH AN ANIMATED GRAPHICAL USER INTERFACE**

(71) Applicant: **Google LLC**, Mountain View, CA (US)

(72) Inventor: **Brett Lider**, San Francisco, CA (US)

(73) Assignee: **Google LLC**, Mountain View, CA (US)

(\*\*) Term: **15 Years**

(21) Appl. No.: **29/644,694**

(22) Filed: **Apr. 19, 2018**

**Related U.S. Application Data**

(62) Division of application No. 29/609,156, filed on Jun. 28, 2017, now Pat. No. Des. 818,489, which is a division of application No. 29/568,439, filed on Jun. 17, 2016, now Pat. No. Des. 794,065.

(51) **LOC (13) Cl.** ..... **14-04**

(52) **U.S. Cl.**  
USPC ..... **D14/488**

(58) **Field of Classification Search**

USPC ..... D14/485–495  
CPC ..... B61C 11/04; B64C 29/00; G06F 3/04817;  
G06F 3/0482; G06F 2203/04807; G06T  
15/02; G06T 13/80; H04M 1/2477; H04N  
1/00424

See application file for complete search history.

(56) **References Cited**

**U.S. PATENT DOCUMENTS**

D35,641 S 1/1902 Friedman  
5,701,424 A 12/1997 Atkinson  
D392,632 S \* 3/1998 Spiegel ..... D10/125  
D462,122 S 8/2002 Hutcheson et al.  
7,580,719 B2 8/2009 Karmarkar

(Continued)

**OTHER PUBLICATIONS**

Dribbble Concept Idea: Radial Menu UI (animated) by Howard Moen, posted on Nov. 5, 2012, © 2009-2016 Dribbble, LLC [online], [site visited Mar. 16, 2017]. Available from Internet, <URL: <https://dribbble.com/shots/801609-Concept-Idea-Radial-Menu-UI-animated>>.

(Continued)

*Primary Examiner* — Cary M Robinson

(74) *Attorney, Agent, or Firm* — Shumaker & Sieffert, P.A.

(57) **CLAIM**

The ornamental design for a display screen with an animated graphical user interface, as shown and described.

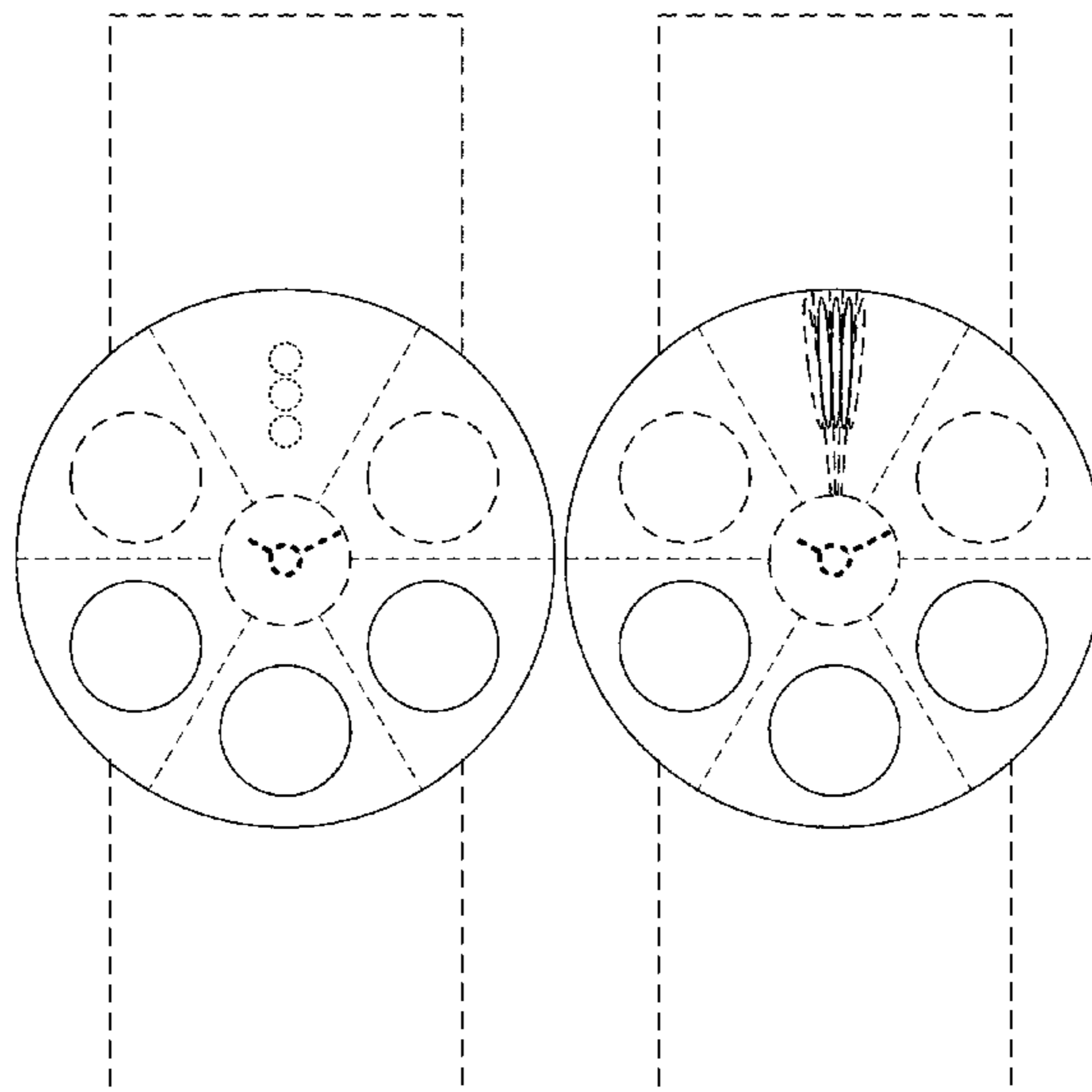
**DESCRIPTION**

FIG. 1 is a front view of a first image in a sequence of a display screen with an animated graphical user interface, showing an embodiment of our new design; FIG. 2 is a second image of the embodiment; FIG. 3 is a third image of the embodiment; FIG. 4 is a fourth image of the embodiment; FIG. 5 is a fifth image of the embodiment; FIG. 6 is a sixth image of the embodiment; FIG. 7 is a seventh image of the embodiment; FIG. 8 is an eighth image of the embodiment; FIG. 9 is a ninth image of the embodiment; FIG. 10 is a tenth image of the embodiment; and, FIG. 11 is an eleventh image of the embodiment.

The appearance of the animated user interface sequentially transitions between the images shown in FIGS. 1-11. The process or period in which one image transitions to another image forms no part of the claimed design.

The outermost broken line rectangles show the display device and display screen and all other broken lines show portions of the graphical user interface. All broken lines form no part of the claimed design.

**1 Claim, 11 Drawing Sheets**



(56)

References Cited

U.S. PATENT DOCUMENTS

D602,033 S 10/2009 Vu et al.  
 7,650,570 B2 1/2010 Torrens et al.  
 7,664,743 B2 2/2010 Okawa  
 D624,557 S 9/2010 Allen et al.  
 D656,954 S 4/2012 Arnold et al.  
 8,306,511 B2 11/2012 Ling et al.  
 8,385,975 B2 2/2013 Forutanpour et al.  
 8,423,577 B1 4/2013 Lee et al.  
 D693,836 S 11/2013 Bouchier  
 D697,076 S 1/2014 Oda  
 D699,250 S 2/2014 Fujii et al.  
 8,707,211 B2 4/2014 Yasui et al.  
 8,910,078 B2 12/2014 Sweeney et al.  
 8,996,639 B1 3/2015 Faaborg et al.  
 9,021,398 B2 4/2015 Kotler et al.  
 D729,260 S 5/2015 Ahn et al.  
 9,026,944 B2 5/2015 Kotler et al.  
 D736,780 S 8/2015 Wang  
 D737,855 S 9/2015 Hastings et al.  
 D745,015 S 12/2015 Wang  
 D745,566 S 12/2015 Hellman  
 D749,606 S \* 2/2016 Wang ..... D14/486  
 9,261,989 B2 2/2016 Kuscher et al.  
 D755,820 S 5/2016 Wang  
 D757,113 S 5/2016 Hellman  
 D757,746 S 5/2016 Lee  
 D761,301 S 7/2016 Kim et al.  
 D761,846 S 7/2016 Moon et al.  
 D762,709 S 8/2016 Hsieh  
 D763,269 S 8/2016 Lee et al.  
 D763,311 S 8/2016 Lee et al.  
 D764,493 S 8/2016 Sanderson  
 D764,500 S 8/2016 Wang  
 D764,521 S 8/2016 Murillo et al.  
 D766,951 S \* 9/2016 Wang ..... D14/486  
 D775,148 S 12/2016 Anzures et al.  
 D775,172 S \* 12/2016 Conze ..... D14/486  
 D775,657 S \* 1/2017 Thomas ..... D14/488  
 D780,804 S 3/2017 Cho et al.  
 D794,065 S 8/2017 Lider  
 D797,792 S 9/2017 Patterson et al.  
 D806,747 S 1/2018 Kalanick et al.  
 D818,489 S \* 5/2018 Lider ..... D14/488  
 D826,961 S \* 8/2018 Lider ..... D14/486  
 D832,866 S \* 11/2018 Gomez-Rosado ..... D14/485  
 D841,672 S \* 2/2019 Loi ..... D14/486  
 D842,336 S \* 3/2019 No ..... D14/492  
 D850,484 S \* 6/2019 Zhu ..... D14/488  
 D851,672 S \* 6/2019 Mateus ..... D14/488  
 D872,120 S \* 1/2020 Hicks ..... D14/488  
 D872,764 S \* 1/2020 Pazmino ..... D14/488  
 D873,294 S \* 1/2020 Anzures ..... D14/488  
 D890,205 S \* 7/2020 Tsai ..... D14/488  
 D895,672 S \* 9/2020 Page ..... D14/489  
 D896,245 S \* 9/2020 Chesworth ..... D14/485  
 2005/0280521 A1 12/2005 Mizumaki  
 2007/0271528 A1 11/2007 Park et al.  
 2010/0037139 A1 2/2010 Loebig et al.  
 2010/0299637 A1 11/2010 Chmielewski et al.  
 2013/0019182 A1 1/2013 Gil et al.  
 2013/0104071 A1 4/2013 Boutousov et al.

2015/0227269 A1\* 8/2015 Kulas ..... G06F 3/0488  
 715/841  
 2016/0253083 A1\* 9/2016 Lee ..... H04M 1/27475  
 715/771  
 2017/0220237 A1 8/2017 Jow et al.

OTHER PUBLICATIONS

Dribbble Rotary Dialer by Niklas Rekola, posted on Mar. 20, 2014, © 2009-2016 Dribbble, LLC [online], [site visited Mar. 16, 2017]. Available from Internet, <URL: <https://dribbble.com/shots/1471832-Rotary-Dialer>>.  
 NinoDezign 1 45+ Creative Menu With jQuery and CSS3, last updated on Nov. 5, 2014, © 2017 ninodezign.com [online], [site visited Mar. 16, 2017]. Available from Internet, <URL: <http://ninodezign.com/45-creative-menu-with-jquery-and-css3/>>NinoDezign 1 45+ Creative Menu With jQuery and CSS3, last updated on Nov. 5, 2014, © 2017 ninodezign.com [online].  
 Pinterest, last updated on Jul. 15, 2012, no copyright date posted [online], [site visited Mar. 16, 2017]. Available from Internet, <URL: <https://www.pinterest.com/pin/2053360642312352741/>>.  
 YouTube 1 iOS Open Source: Circular Menu, published on Jan. 24, 2013, © 2017 YouTube, LLC, [online], [site visited Mar. 16, 2017]. Available from Internet, [frames 0:02-0:19] <URL: <https://www.youtube.com/watch?v=rY7U08sklew/>>.  
 YouTube 1 Unity CircularMenu Part 1 : Basics, published on May 13, 2013, © 2017 YouTube, LLC, [online], [site visited Mar. 16, 2017]. Available from Internet, [frames 8:44-9:09] <URL: <https://www.youtube.com/watch?v=r06ynUBOPBM/>>.  
 Adams, “How Watch Complications Can Get Smarter,” Intention Deficit, A Medium Corporation, Mar. 2, 2016, Retrieved from <<https://medium.com/intention-deficit/how-watch-complications-can-get-smarter-c3d02e3527ed#.nl6o0yt7u>> 7 pgs.  
 Ustwo, “Bits Watch Face,” GooglePlay, May 12, 2016, Retrieved from <<https://play.google.com/store/apps/details?id=com.ustwo.watchfaces.bits&hl=en>> 3 pgs.  
 Skateboardem, “Idea for watchOS 3: live complications.,” Reddit, Feb. 12, 2016, Retrieved from <[https://www.reddit.com/r/AppleWatch/comments/45h7j6/idea\\_for\\_watchos\\_3\\_live\\_complications/](https://www.reddit.com/r/AppleWatch/comments/45h7j6/idea_for_watchos_3_live_complications/)> 4 pgs.  
 Ieff, “Appeal Watch Smart Complications,” Open Radar—Community bug reports, Jun. 22, 2015, Retrieved from <<http://www.openradar.me/21487411>> 1 pg.  
 Stinson, “Google just made its smartwatch faces actually useful,” Wired, Aug. 20, 2015, Retrieved from <<http://www.wired.com/2015/08/google-just-made-smartwatch-faces-actually-useful/>> 10 pgs.  
 Prosecution History from U.S. Appl. No. 29/568,439, dated Jun. 30, 2016 through Mar. 28, 2017, 18 pp.  
 Notice of Allowance from U.S. Appl. No. 29/609,156, dated Jan. 23, 2018, 7 pp.  
 Moen, “Concept Idea: Radial Menu UI (animated),” retrieved from: <https://dribbble.com/shots/801609-Concept-Idea-Radial-Menu-UI-Animated>, Nov. 5, 2012, 1 pp.  
 Reokla, “Rotary Dialer,” retrieved from: <https://dribbble.com/shots/1471832-Rotary-Dialer>, Mar. 16, 2017, 1 pp.  
 Wacom 1 How to use the Radial Menu on Cintiq Companion, last updated on Oct. 22, 2013, © 2016 Wacom Company, Limited [online], [site visited Jan. 4, 2018]. Available from Internet, <URL: <http://eu.shop.wacom.eu/detail/index/sArticle/623#/>>.

\* cited by examiner

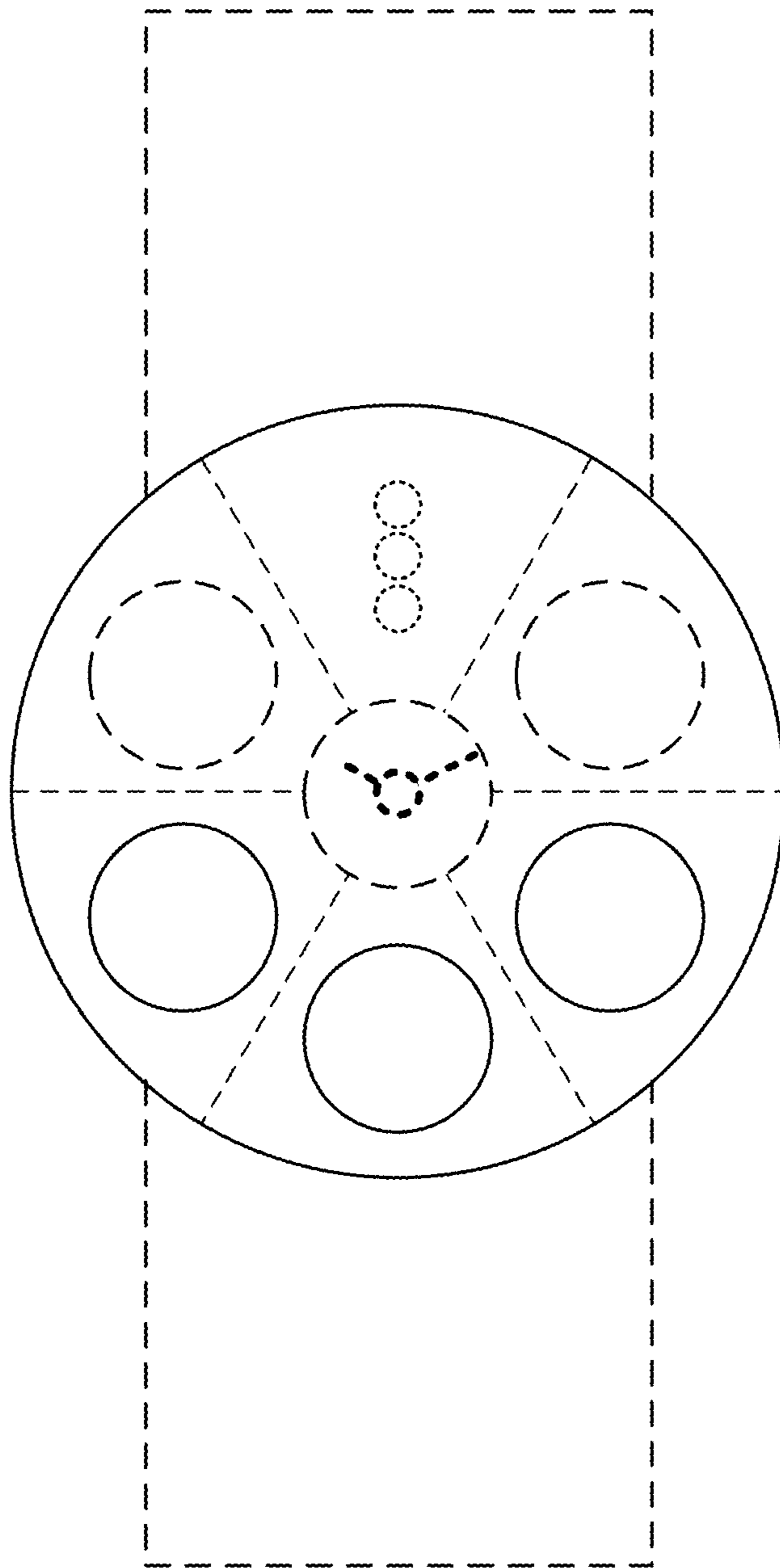


FIG. 1

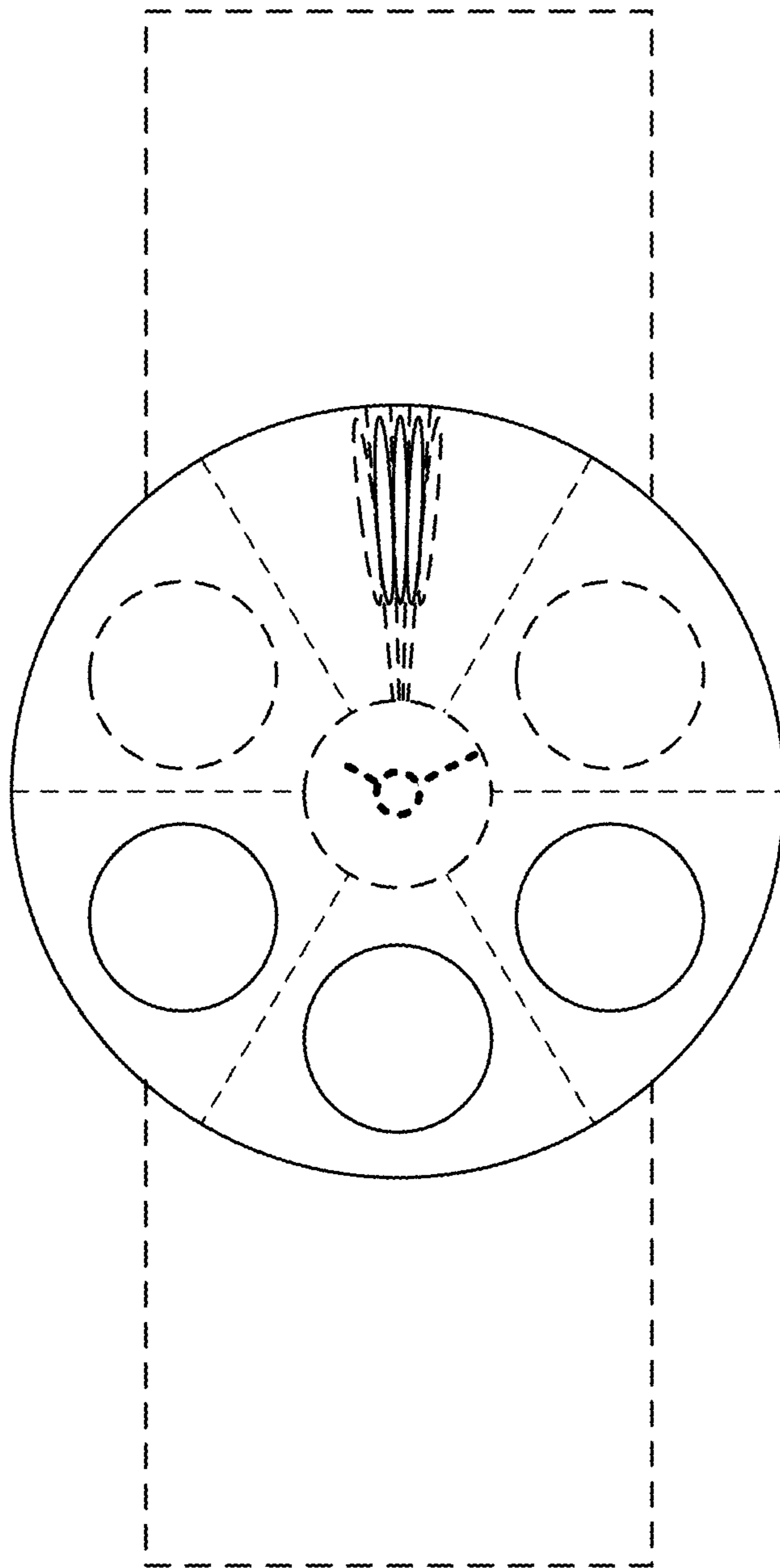


FIG. 2

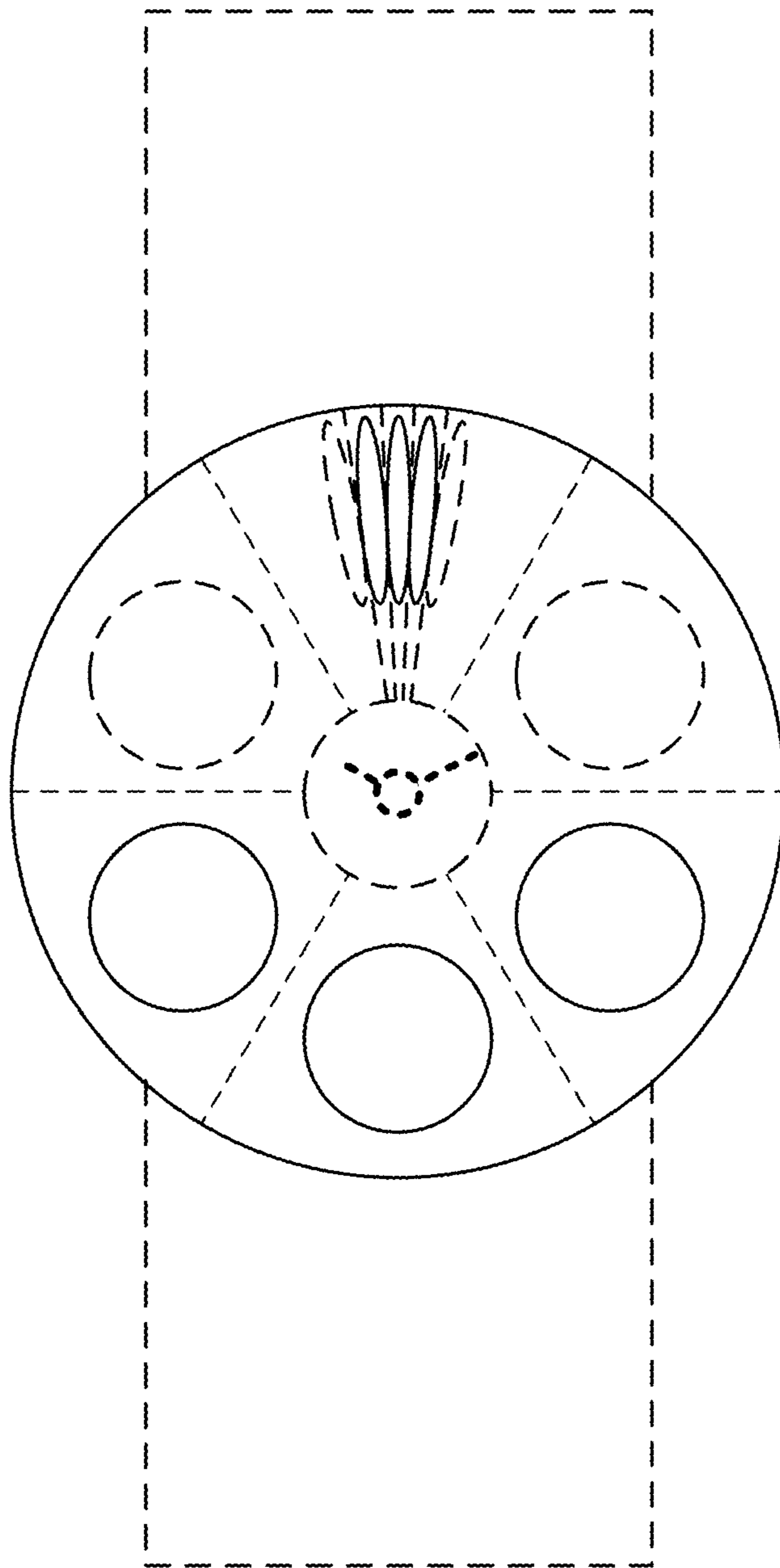


FIG. 3

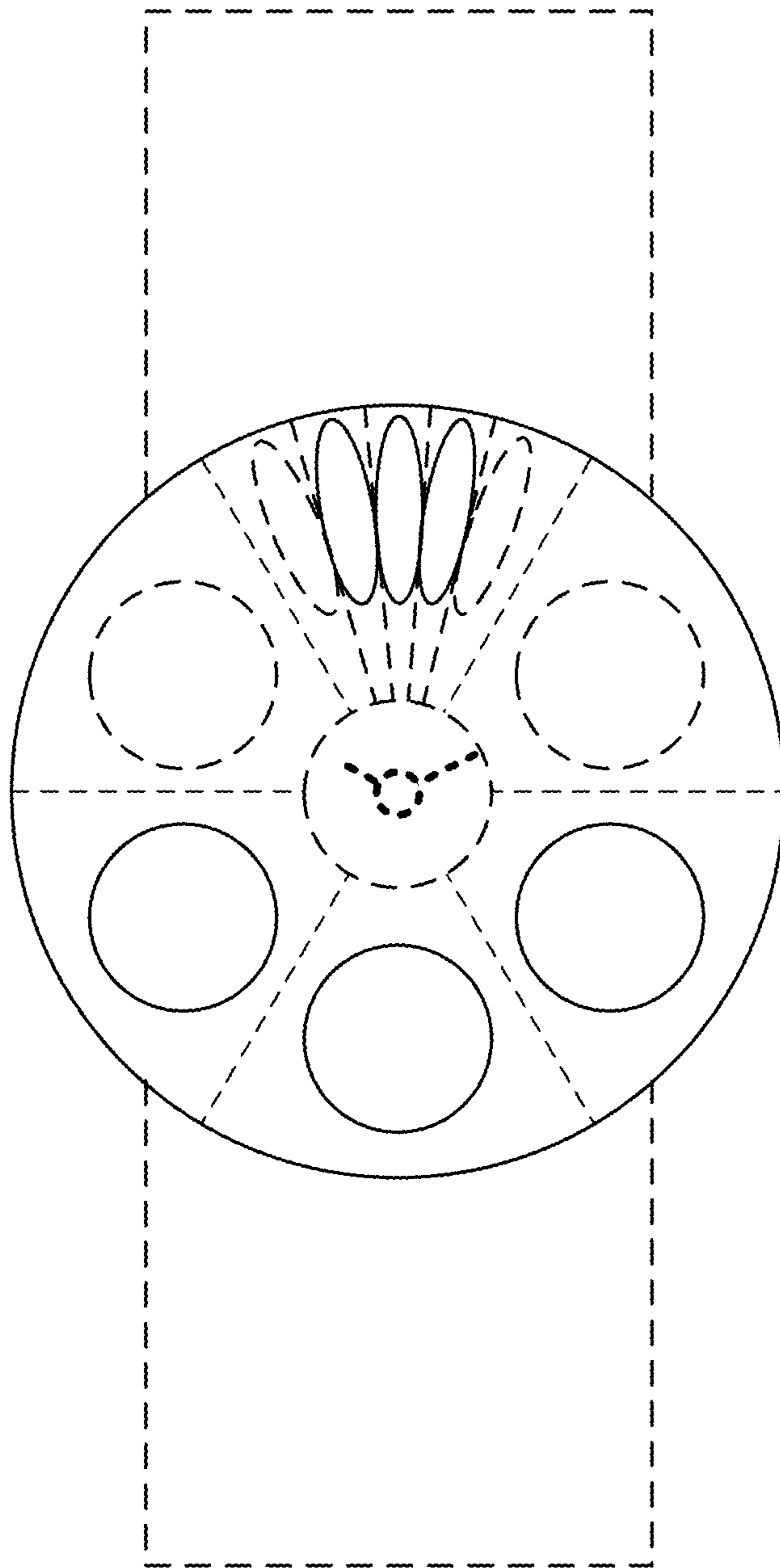


FIG. 4

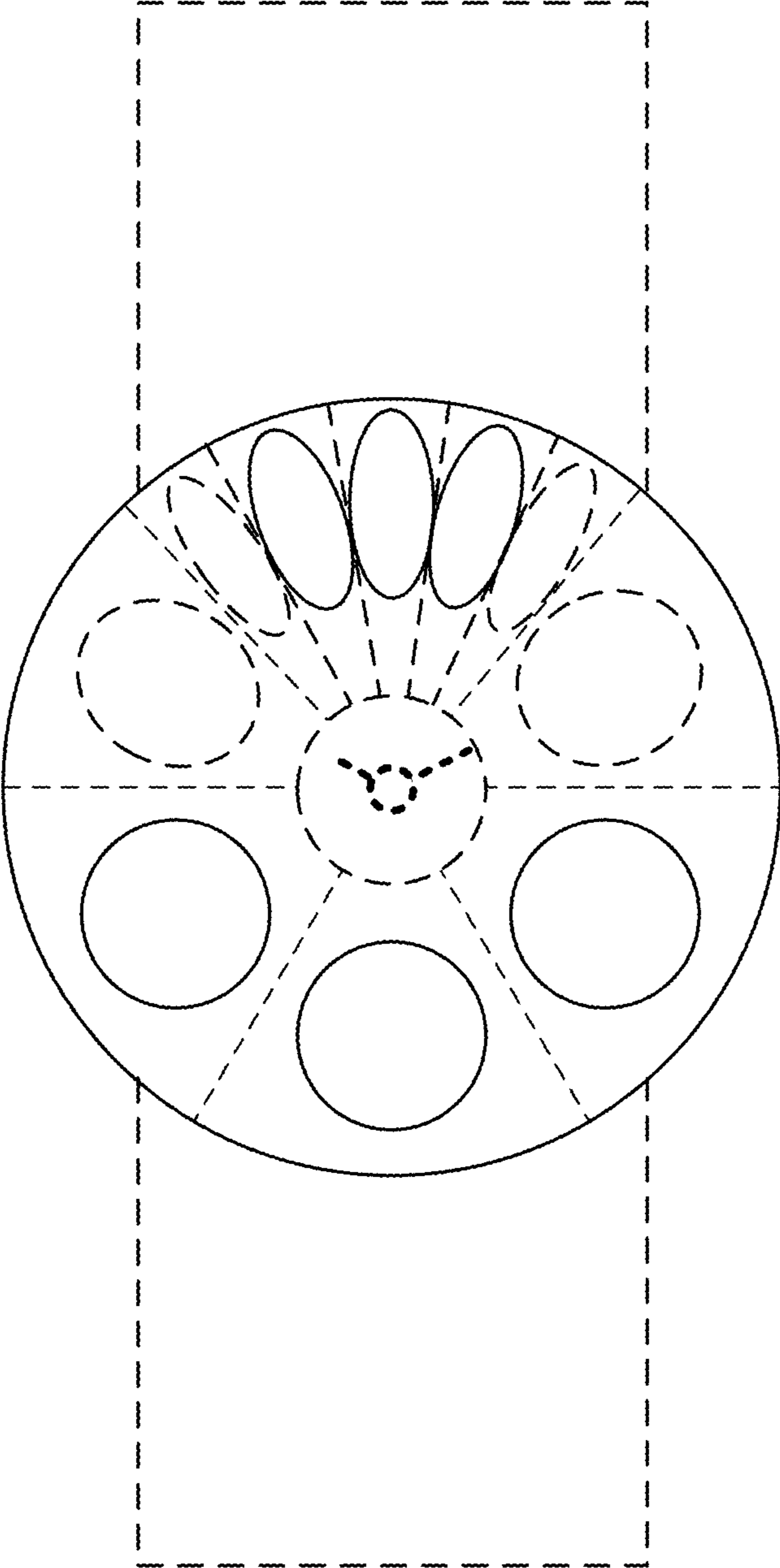


FIG. 5

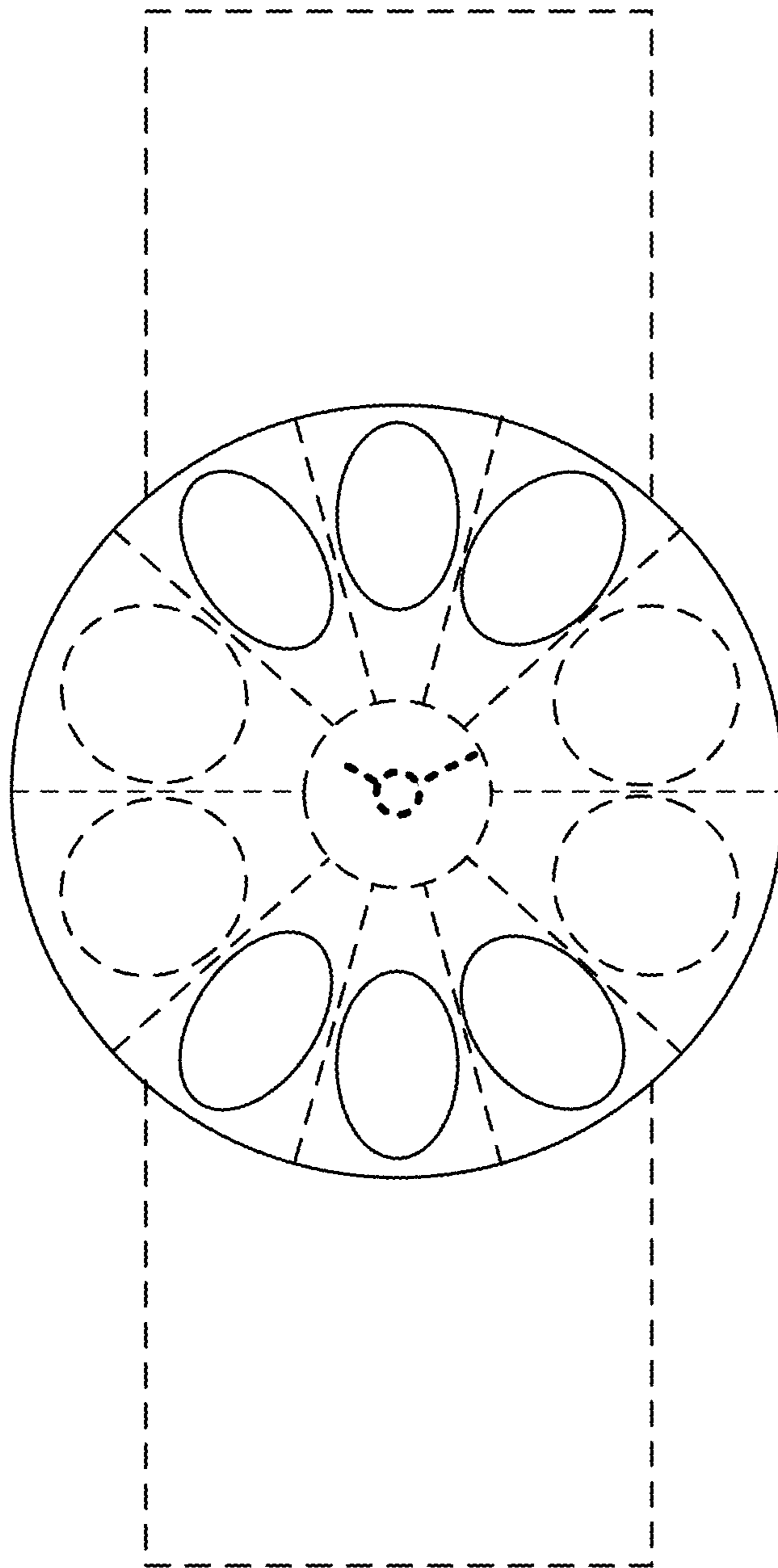


FIG. 6



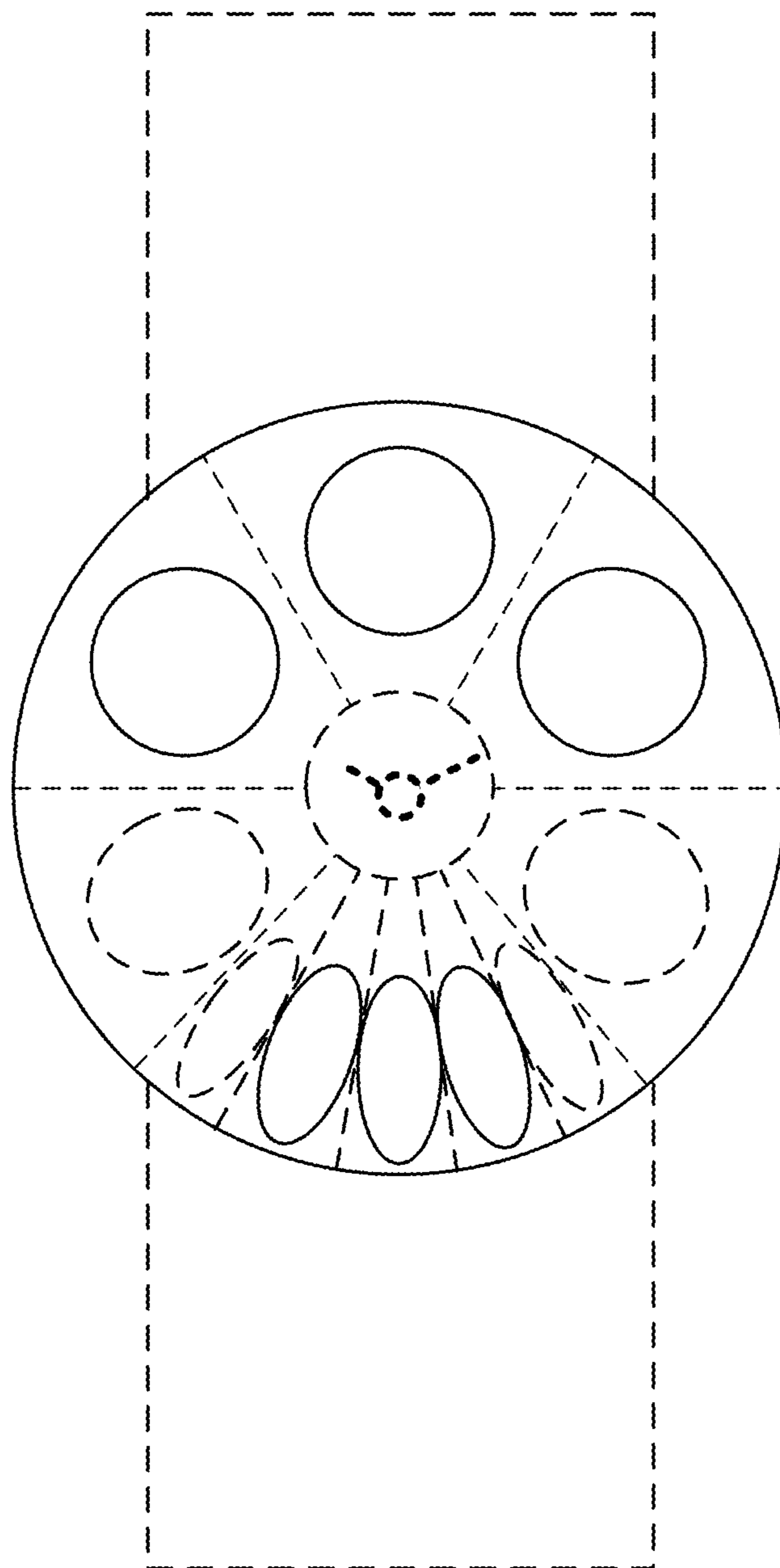


FIG. 7

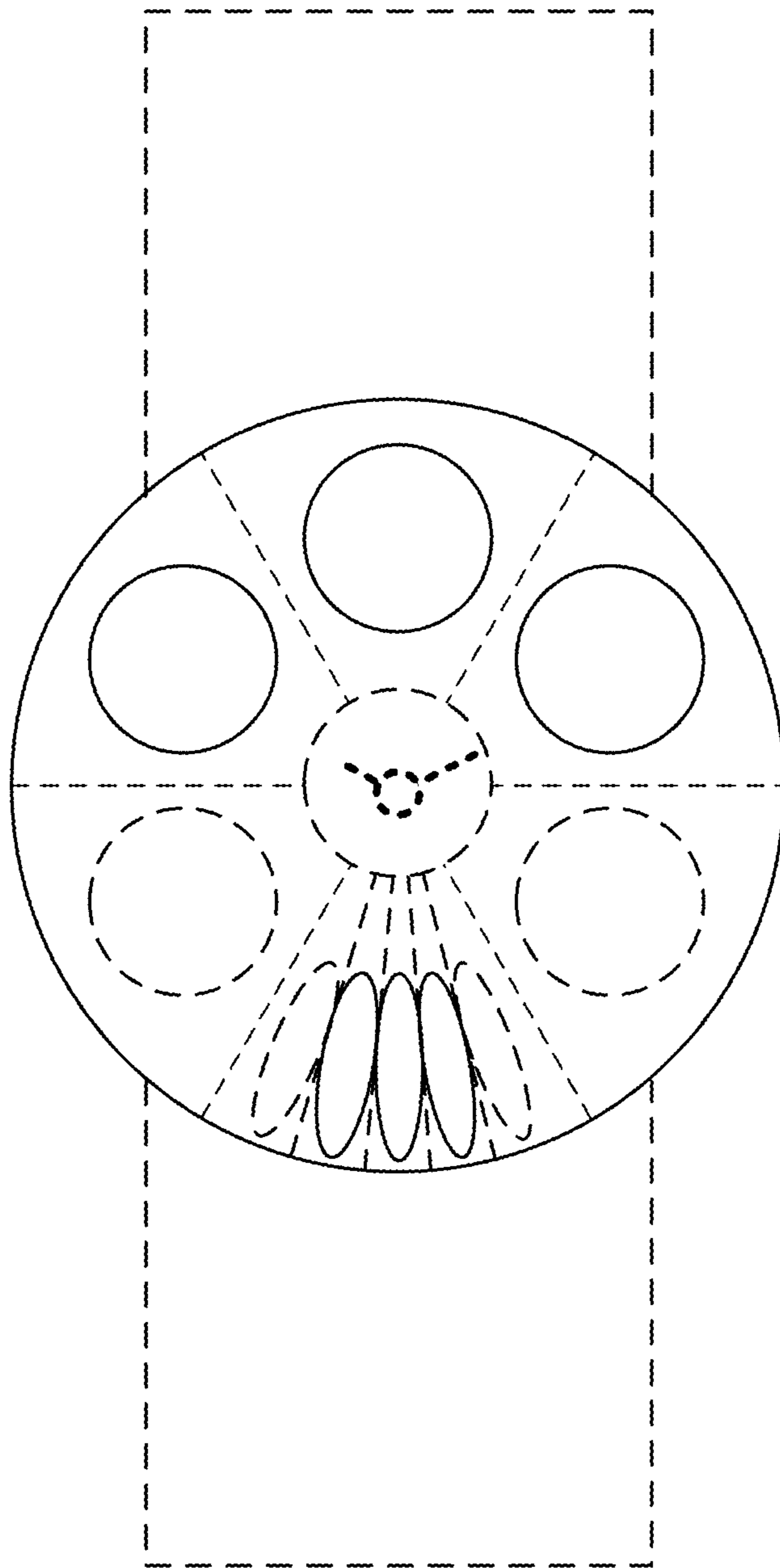


FIG. 8

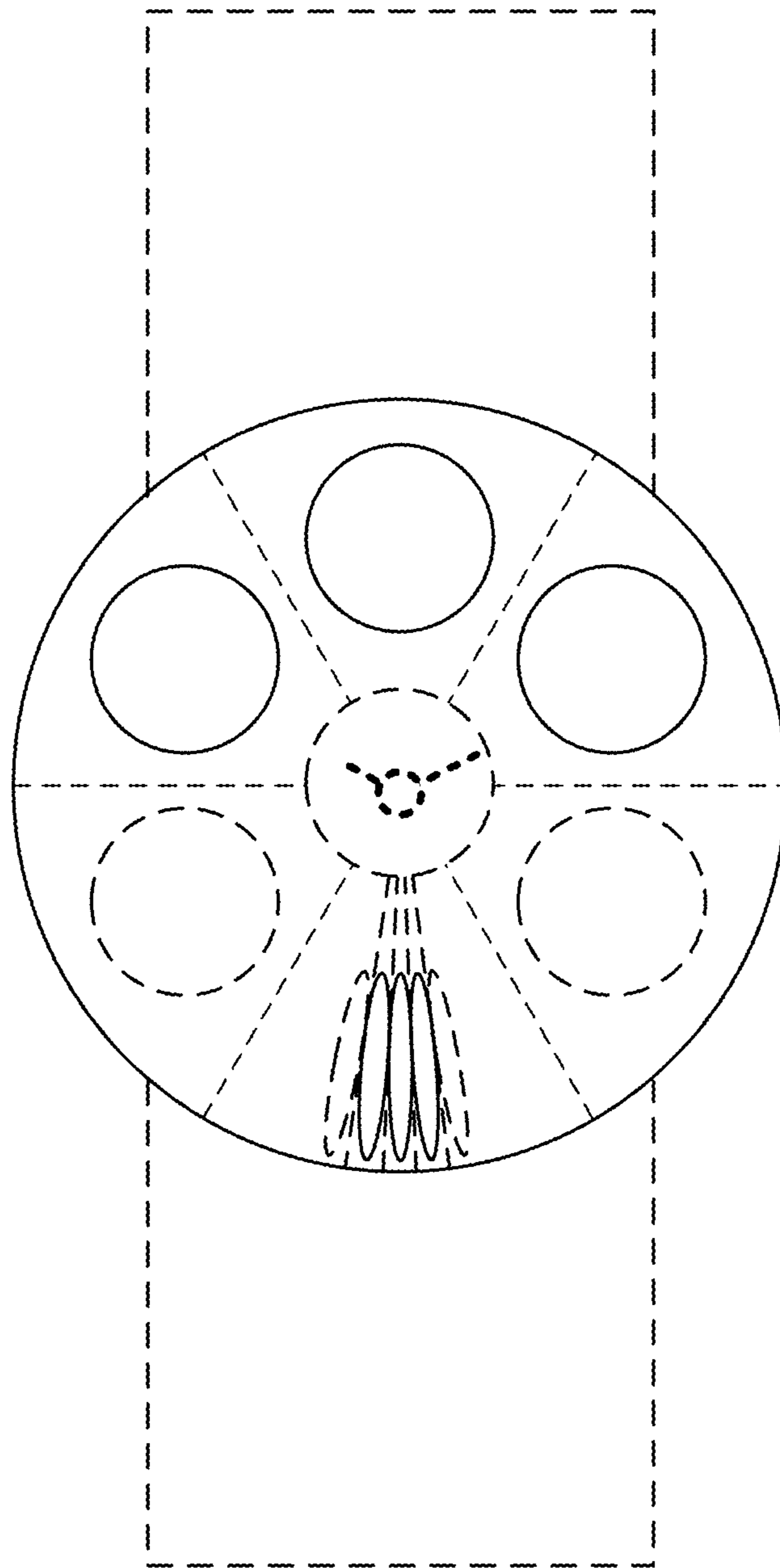


FIG. 9

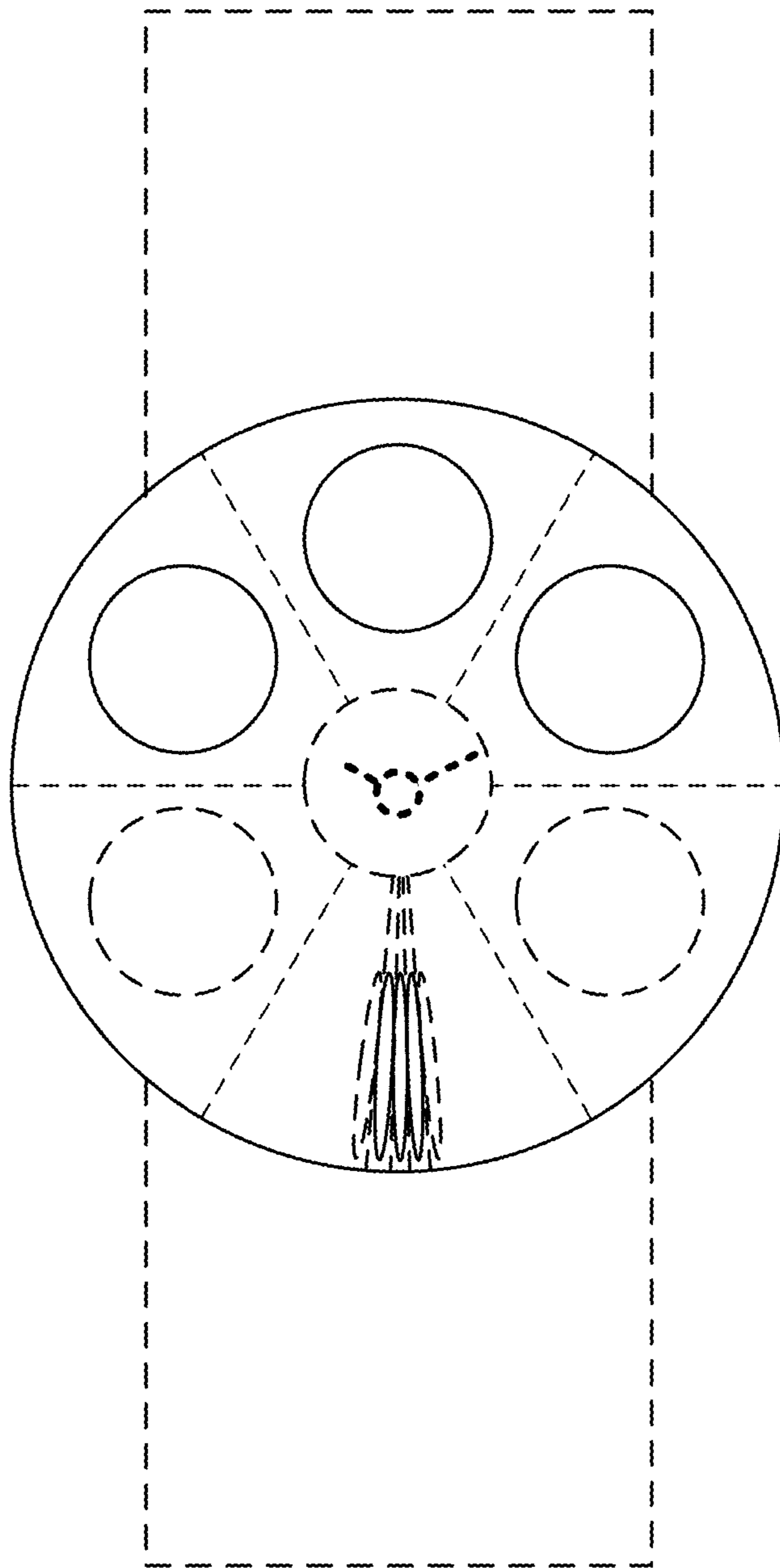


FIG. 10

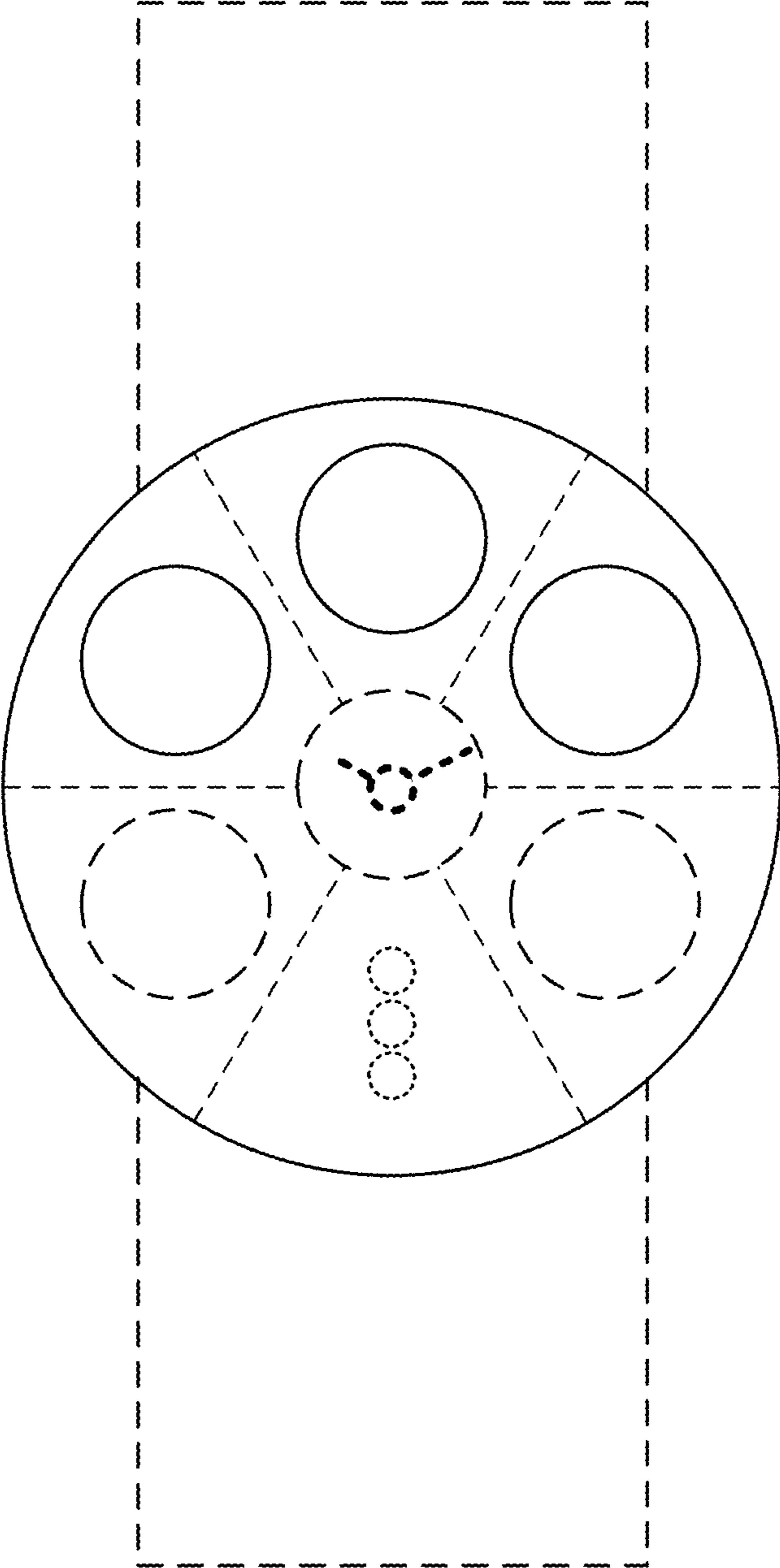


FIG. 11