



US00D913314S

(12) **United States Design Patent** (10) **Patent No.:** **US D913,314 S**
Paul (45) **Date of Patent:** **** Mar. 16, 2021**

(54) **DISPLAY SCREEN WITH AN ANIMATED GRAPHICAL USER INTERFACE**

(71) Applicant: **Facebook, Inc.**, Menlo Park, CA (US)

(72) Inventor: **Debashish Paul**, Sunnyvale, CA (US)

(73) Assignee: **Facebook, Inc.**, Menlo Park, CA (US)

(**) Term: **15 Years**

(21) Appl. No.: **29/688,452**

(22) Filed: **Apr. 22, 2019**

(51) **LOC (13) Cl.** **14-04**

(52) **U.S. Cl.**
USPC **D14/487**

(58) **Field of Classification Search**
USPC D14/485-495; 345/1.1, 1.2, 2.1-2.3, 3.1, 345/902; 715/763, 810, 836, 837, 846, 715/847, 977

CPC B60K 37/00; G04B 37/1486; G04B 45/00; G04B 45/0069; G06F 3/0481; G06F 3/04845; G06F 3/04817; G06F 17/212; G06F 19/3406; G06F 3/048-04897; G06F 3/013; G06F 3/017; G06F 3/165; G06F 3/197; G06T 13/80; G06T 15/02; G06Q 10/10; H04M 1/6075; H04M 3/567; H04M 1/2477; H04M 1/26; H04M 1/274582; H04L 12/581; H04L 12/813; H04L 12/1813; H04N 7/16

See application file for complete search history.

(56) **References Cited**

U.S. PATENT DOCUMENTS

D341,848 S 11/1993 Bigelow et al.
D491,955 S * 6/2004 Ording D14/487
D556,768 S * 12/2007 Morris D14/487
D568,333 S 5/2008 Okaro et al.
D575,792 S 8/2008 Benson
D596,192 S 7/2009 Shotel

D596,646 S * 7/2009 Wani D14/487
7,636,889 B2 12/2009 Weber et al.
D608,366 S 1/2010 Matas
D620,949 S 8/2010 Loken
D631,888 S 2/2011 Vance et al.
D637,604 S 5/2011 Brinda
D637,606 S 5/2011 Luke et al.

(Continued)

OTHER PUBLICATIONS

Notice of Allowance received for U.S. Appl. No. 16/425,908 dated Jan. 15, 2020, 22 pages.

(Continued)

Primary Examiner — Cary M Robinson

(74) *Attorney, Agent, or Firm* — FisherBroyles, LLP

(57) **CLAIM**

The ornamental design for a display screen with an animated graphical user interface, as shown and described.

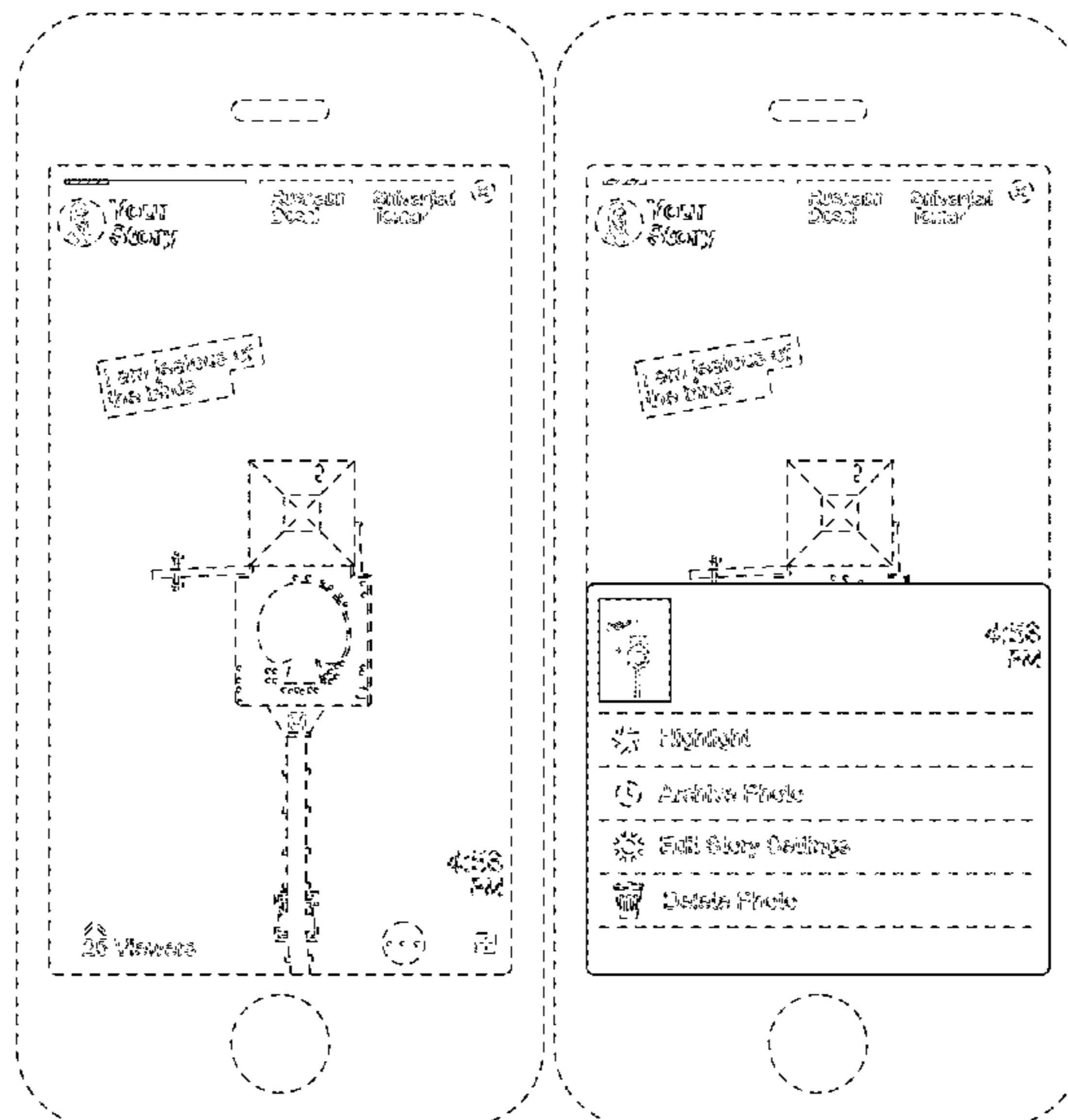
DESCRIPTION

FIG. 1 is a front view of a first image in a sequence for a display screen with an animated graphical user interface showing the claimed design; and, FIG. 2 is a front view of a second image thereof.

The appearance of the transitional image sequentially transitions between the images shown in FIGS. 1 and 2. The process or period in which one image transitions to another forms no part of the claimed design.

The outermost broken lines, including the outer broken line showing of rounded shapes, illustrate an electronic device and forms no part of the claimed design. The broken line at the perimeter of the figures illustrates a display screen and forms no part of the claimed design. The remaining broken lines, including the closely spaced broken lines showing text and icons, illustrate portions of the animated graphical user interface that form no part of the claimed design.

1 Claim, 2 Drawing Sheets



(56)

References Cited

U.S. PATENT DOCUMENTS

8,136,039 B2	3/2012	Ebrom et al.	10,348,658 B2	7/2019	Rodriguez et al.
8,147,251 B1	4/2012	Anson	D859,446 S	9/2019	Westerhold et al.
8,230,343 B2	7/2012	Logan et al.	D861,715 S	10/2019	Haile et al.
D671,127 S	11/2012	Woo et al.	D863,333 S	10/2019	Westerhold et al.
D671,552 S	11/2012	Mori et al.	D864,994 S	10/2019	Cornell
D673,166 S	12/2012	Mori et al.	D865,794 S	11/2019	Lee et al.
D682,307 S	5/2013	Donahue et al.	D865,795 S	11/2019	Koo
D687,062 S	7/2013	Gardner et al.	D866,582 S *	11/2019	Chang D14/486
D692,450 S	10/2013	Convay et al.	D871,438 S	12/2019	Nakahara et al.
D696,263 S	12/2013	Ray et al.	D872,731 S	1/2020	Wang et al.
D698,686 S	2/2014	Saikawa et al.	D873,843 S	1/2020	Jang et al.
D698,813 S	2/2014	Brown	D873,849 S	1/2020	Yamazaki et al.
D707,706 S	6/2014	Cranfill et al.	D874,491 S	2/2020	Kuo et al.
8,823,654 B2	9/2014	Jeong et al.	D874,504 S	2/2020	Clediere
D717,816 S	11/2014	Zuckerberg et al.	D875,112 S	2/2020	Clediere
D723,584 S	3/2015	Van Slembrouck	D875,114 S	2/2020	Clediere
D726,197 S	4/2015	Kim et al.	D875,126 S	2/2020	Greco et al.
D727,941 S	4/2015	Angelides	10,559,224 B2	2/2020	Ternoey
D729,271 S	5/2015	Zhang et al.	D878,411 S	3/2020	Lee et al.
D739,413 S	9/2015	Shin et al.	D879,131 S	3/2020	Friedland et al.
D739,866 S	9/2015	Urdan et al.	D879,807 S	3/2020	Clediere
D740,849 S *	10/2015	Zou D14/487	D880,493 S	4/2020	Huang et al.
D741,355 S *	10/2015	Zou D14/487	D880,500 S	4/2020	Clediere
D750,661 S *	3/2016	Funnell, II D14/487	D881,925 S	4/2020	Hansen et al.
D753,699 S *	4/2016	Tsukamoto D14/487	10,623,831 B1	4/2020	Paul
D756,396 S	5/2016	Anzures et al.	D884,013 S	5/2020	Clediere
D760,243 S	6/2016	Ostrowski et al.	D884,733 S	5/2020	Cornell
9,361,322 B1	6/2016	Dutta et al.	D885,415 S	5/2020	Deng
D760,782 S	7/2016	Kendler et al.	D886,127 S	6/2020	Conover et al.
D761,845 S	7/2016	Haitani et al.	D887,438 S	6/2020	Kang et al.
D763,881 S	8/2016	Smith et al.	D887,439 S	6/2020	Elgena
9,424,881 B2	8/2016	Casagrande	D888,070 S	6/2020	Yusupov et al.
D766,308 S	9/2016	Park et al.	D888,089 S	6/2020	Chaudhri et al.
D769,295 S	10/2016	Han et al.	D888,733 S	6/2020	Fong et al.
D771,111 S	11/2016	Roberts et al.	D889,487 S	7/2020	Clediere
D772,930 S	11/2016	Vazquez et al.	D890,198 S	7/2020	Paul
D774,051 S	12/2016	Hart et al.	D890,201 S	7/2020	Li et al.
9,529,492 B2	12/2016	Cho et al.	D890,805 S	7/2020	Echeverri et al.
D777,768 S *	1/2017	Persson D14/487	D892,140 S	8/2020	Clediere et al.
D778,310 S	2/2017	Roberts et al.	D892,156 S	8/2020	Boettner
D778,311 S *	2/2017	Denis D14/487	D892,816 S *	8/2020	Lakas D14/485
D783,658 S	4/2017	Hurst et al.	D892,838 S	8/2020	Hansen et al.
9,641,898 B2	5/2017	Bloch et al.	D892,848 S *	8/2020	McCollum D14/487
D791,164 S	7/2017	Rice et al.	D892,862 S	8/2020	Hsu et al.
D794,651 S *	8/2017	Cavander D14/485	D894,921 S	9/2020	Paul
9,727,927 B2	8/2017	Juan et al.	D894,949 S	9/2020	Shuttleworth et al.
D800,762 S *	10/2017	Aoshima D14/487	D896,259 S	9/2020	Doti et al.
D801,992 S	11/2017	Fischbach	D897,353 S *	9/2020	Hall D14/485
D804,509 S	12/2017	Hurst et al.	D898,066 S	10/2020	Kim et al.
D804,510 S	12/2017	Federighi et al.	D898,074 S	10/2020	Spors et al.
D805,097 S	12/2017	Chaudhri et al.	D899,435 S	10/2020	Pazmino et al.
D805,543 S	12/2017	Baker	D899,438 S	10/2020	Crafts et al.
D809,001 S	1/2018	Funnell, II et al.	D899,443 S	10/2020	Sharp et al.
D812,641 S	3/2018	Walkin	D899,448 S	10/2020	VanDuyn et al.
D814,504 S	4/2018	Lee et al.	D900,146 S	10/2020	Lewis et al.
9,936,184 B2	4/2018	Kaiser et al.	D900,148 S	10/2020	Bao
D820,857 S	6/2018	Sutton et al.	10,817,142 B1	10/2020	Paul
D822,702 S	7/2018	Gandhi et al.	D900,834 S	11/2020	Yamazaki et al.
D823,333 S	7/2018	Hiratsuka et al.	D900,859 S *	11/2020	Satterlie D14/487
D824,944 S	8/2018	Sagrillo et al.	D900,863 S	11/2020	Clingerman
D824,945 S	8/2018	Sagrillo et al.	D902,241 S	11/2020	Clediere
D830,406 S	10/2018	Baldi et al.	D902,248 S	11/2020	Vazquez et al.
D831,065 S	10/2018	Walkin et al.	D902,250 S	11/2020	Chen et al.
D832,299 S	10/2018	Lamperti et al.	D903,699 S	12/2020	Paul
D833,465 S	11/2018	Vairamohan	D903,707 S	12/2020	Sowden et al.
10,140,650 B2	11/2018	Roberts et al.	D903,708 S	12/2020	Poueriet
D836,121 S	12/2018	Leong et al.	D904,421 S	12/2020	Hansen et al.
10,226,200 B2	3/2019	Vassallo et al.	D904,423 S	12/2020	Hansen et al.
D845,991 S *	4/2019	Kessler D14/488	D904,425 S	12/2020	Paul
D846,587 S	4/2019	Behzadi et al.	D905,074 S	12/2020	Lin et al.
D847,850 S *	5/2019	Kim D14/487	D905,108 S	12/2020	Kang et al.
D849,769 S	5/2019	Matas	2003/0093790 A1	5/2003	Logan et al.
D852,216 S	6/2019	Westerhold et al.	2007/0067738 A1	3/2007	Flynt et al.
D852,832 S	7/2019	Westerhold et al.	2008/0092168 A1	4/2008	Logan et al.
D854,042 S	7/2019	Sagrillo et al.	2008/0235247 A1	9/2008	Krantz et al.
			2009/0046057 A1	2/2009	Umezawa
			2009/0265628 A1	10/2009	Bamford et al.
			2010/0241961 A1	9/2010	Peterson et al.
			2010/0241962 A1	9/2010	Peterson et al.

(56)

References Cited

U.S. PATENT DOCUMENTS

2011/0145751 A1 6/2011 Landman et al.
 2012/0087637 A1 4/2012 Logan et al.
 2012/0159318 A1 6/2012 Shaw et al.
 2012/0209815 A1 8/2012 Carson et al.
 2012/0299933 A1 11/2012 Lau et al.
 2013/0227414 A1 8/2013 Hwang et al.
 2013/0321340 A1 12/2013 Seo et al.
 2014/0082497 A1 3/2014 Chalouhi et al.
 2014/0189607 A1 7/2014 Shuttleworth et al.
 2014/0215367 A1 7/2014 Kim et al.
 2014/0222512 A1 8/2014 Pace
 2014/0298233 A1 10/2014 Pettey et al.
 2014/0359443 A1 12/2014 Hwang
 2015/0089369 A1 3/2015 Ahm
 2015/0121252 A1 4/2015 Yerli
 2015/0220774 A1 8/2015 Ebersman et al.
 2015/0223308 A1 8/2015 Yen
 2015/0326912 A1 11/2015 Casagrande
 2016/0034133 A1 2/2016 Wilson et al.
 2016/0072841 A1 3/2016 Caporal et al.
 2016/0149956 A1 5/2016 Birnbaum et al.
 2016/0155063 A1 6/2016 Rich
 2016/0309321 A1 10/2016 Song et al.
 2016/0314120 A1 10/2016 Dauderman et al.
 2016/0328100 A1 11/2016 Rajaraman et al.
 2016/0357413 A1 12/2016 Block et al.
 2016/0357420 A1 12/2016 Wilson et al.
 2017/0185581 A1 6/2017 Bojja et al.
 2017/0250931 A1 8/2017 Ioannou et al.
 2017/0277691 A1 9/2017 Agarwal
 2017/0308290 A1 10/2017 Patel
 2017/0329465 A1 11/2017 Hong
 2017/0336928 A1 11/2017 Chaudhri et al.
 2018/0039406 A1 2/2018 Kong et al.
 2018/0082313 A1 3/2018 Duggin et al.
 2018/0173692 A1 6/2018 Greenberg et al.
 2018/0210874 A1 7/2018 Fuxman et al.
 2018/0218458 A1 8/2018 Benfield et al.
 2019/0049394 A1 2/2019 Iwao
 2019/0075340 A1 3/2019 Hochart
 2020/0026755 A1 1/2020 Hewitt et al.
 2020/0111173 A1 4/2020 Benfield et al.
 2020/0233911 A1 7/2020 Siroker et al.
 2020/0257859 A1 8/2020 Hewitt et al.

OTHER PUBLICATIONS

Paul, Debashish, "Macro-Navigation within a Digital Story Framework", U.S. Appl. No. 16/416,312 dated May 20, 2019, 51 pages.
 Paul, Debashish, "Interactive Digital Time Display", U.S. Appl. No. 16/416,313 dated May 20, 2019, 46 pages.
 Paul, Debashish, "Archive Full-Story Mode", U.S. Appl. No. 29/693,993 dated Jun. 6, 2019, 11 pages.
 Paul, Debashish, "Archive Calendar Interface", U.S. Appl. No. 29/693,991 dated Jun. 6, 2019, 11 pages.
 Paul, Debashish, "Archive Montage Interface", U.S. Appl. No. 29/693,989 dated Jun. 6, 2019, 11 pages.
 Paul, Debashish, "Automated Social Media Replies", U.S. Appl. No. 16/425,909 dated May 29, 2019, 46 pages.
 Paul, Debashish, "Systems and Methods for Digital Privacy Controls", U.S. Appl. No. 16/425,907 dated May 29, 2019, 45 pages.
 Non-Final Office Action received for U.S. Appl. No. 16/425,909 dated May 11, 2020, 28 pages.
 Notice of Allowance received for U.S. Appl. No. 16/425,907 dated Apr. 9, 2020, 29 pages.
 Paul, Debashish, "Systems and Methods for Digital Privacy Controls", U.S. Appl. No. 15/931,145, filed May 13, 2020, 49 pages.
 Notice of Allowance received for U.S. Appl. No. 16/416,312 dated Jul. 31, 2020, 53 pages.
 Non-Final Office Action received for U.S. Appl. No. 29/693,993 dated Sep. 18, 2020, 24 pages.

Non-Final Office Action received for U.S. Appl. No. 29/693,991 dated Oct. 1, 2020, 24 pages.
 Non-Final Office Action received for U.S. Appl. No. 29/693,989 dated Sep. 18, 2020, 24 pages.
 Final Office Action received for U.S. Appl. No. 16/425,909 dated Sep. 23, 2020, 26 pages.
 Preinterview First Office Action received for U.S. Appl. No. 15/931,145 dated Sep. 22, 2020, 23 pages.
 Non-Final Office Action received for U.S. Appl. No. 29/688,460 dated Aug. 7, 2020, 14 pages.
 Non-Final Office Action received for U.S. Appl. No. 29/688,458 dated Aug. 7, 2020, 14 pages.
 Non-Final Office Action received for U.S. Appl. No. 29/688,457 dated Aug. 7, 2020, 13 pages.
 Non-Final Office Action received for U.S. Appl. No. 29/688,456 dated Aug. 7, 2020, 17 pages.
 Non-Final Office Action received for U.S. Appl. No. 29/693,879 dated Sep. 18, 2020, 9 pages.
 Non-Final Office Action received for U.S. Appl. No. 29/688,451 dated Aug. 7, 2020, 17 pages.
 Non-Final Office Action received for U.S. Appl. No. 29/693,878 dated Sep. 17, 2020, 10 pages.
 Non-Final Office Action received for U.S. Appl. No. 29/688,446 dated Aug. 7, 2020, 18 pages.
 Non-Final Office Action received for U.S. Appl. No. 29/688,445 dated Aug. 7, 2020, 18 pages.
 Non-Final Office Action received for U.S. Appl. No. 29/693,992 dated Sep. 18, 2020, 11 pages.
 Non-Final Office Action received for U.S. Appl. No. 29/693,881 dated Sep. 18, 2020, 10 pages.
 Non-Final Office Action received for U.S. Appl. No. 29/693,880 dated Sep. 18, 2020, 9 pages.
 Paul, Debashish, "Macro-Navigation Within a Digital Story Framework", U.S. Appl. No. 17/023,091 dated Sep. 16, 2020, 53 pages.
 Notice of Allowance received for U.S. Appl. No. 29/688,460 dated Dec. 1, 2020, 40 pages.
 Buckell, FabioMake, "How to Create and Personalize Facebook Stories", URL: <https://www.maketecheasier.com/create-personalize-facebook-stories/>, Make Tech Easier, Nov. 17, 2018, 2 pages.
 Notice of Allowance received for U.S. Appl. No. 29/688,458 dated Dec. 1, 2020, 40 pages.
 Kishore, Aseem, "How to Delete Messages on Facebook for Good", URL: <https://www.online-tech-tips.com/computer-tips/how-to-delete-messages-on-facebook-for-good/>, Online Tech Tips, Jun. 22, 2012, 1 page.
 Notice of Allowance received for U.S. Appl. No. 29/688,457 dated Dec. 1, 2020, 39 pages.
 Notice of Allowance received for U.S. Appl. No. 29/688,456 dated Nov. 25, 2020, 40 pages.
 Notice of Allowance received for U.S. Appl. No. 29/688,451 dated Nov. 25, 2020, 39 pages.
 Notice of Allowance received for U.S. Appl. No. 29/693,878 dated Nov. 27, 2020, 39 pages.
 Notice of Allowance received for U.S. Appl. No. 29/688,446 dated Dec. 1, 2020, 39 pages.
 Notice of Allowance received for U.S. Appl. No. 29/693,993 dated Dec. 24, 2020, 41 pages.
 Notice of Allowance received for U.S. Appl. No. 29/693,989 dated Dec. 28, 2020, 42 pages.
 Notice of Allowance received for U.S. Appl. No. 29/688,460 dated Dec. 23, 2020, 8 pages.
 Notice of Allowance received for U.S. Appl. No. 29/688,457 dated Dec. 24, 2020, 8 pages.
 Notice of Allowance received for U.S. Appl. No. 29/688,456 dated Dec. 23, 2020, 8 pages.
 Notice of Allowance received for U.S. Appl. No. 29/693,879 dated Dec. 23, 2020, 53 pages.
 Notice of Allowance received for U.S. Appl. No. 29/688,451 dated Dec. 23, 2020, 8 pages.
 Notice of Allowance received for U.S. Appl. No. 29/693,878 dated Dec. 23, 2020, 8 pages.
 Notice of Allowance received for U.S. Appl. No. 29/688,446 dated Dec. 23, 2020, 8 pages.

(56)

References Cited

OTHER PUBLICATIONS

Notice of Allowance received for U.S. Appl. No. 29/693,992 dated
Dec. 23, 2020, 45 pages.

Notice of Allowance received for U.S. Appl. No. 29/693,880 dated
Dec. 23, 2020, 47 pages.

* cited by examiner

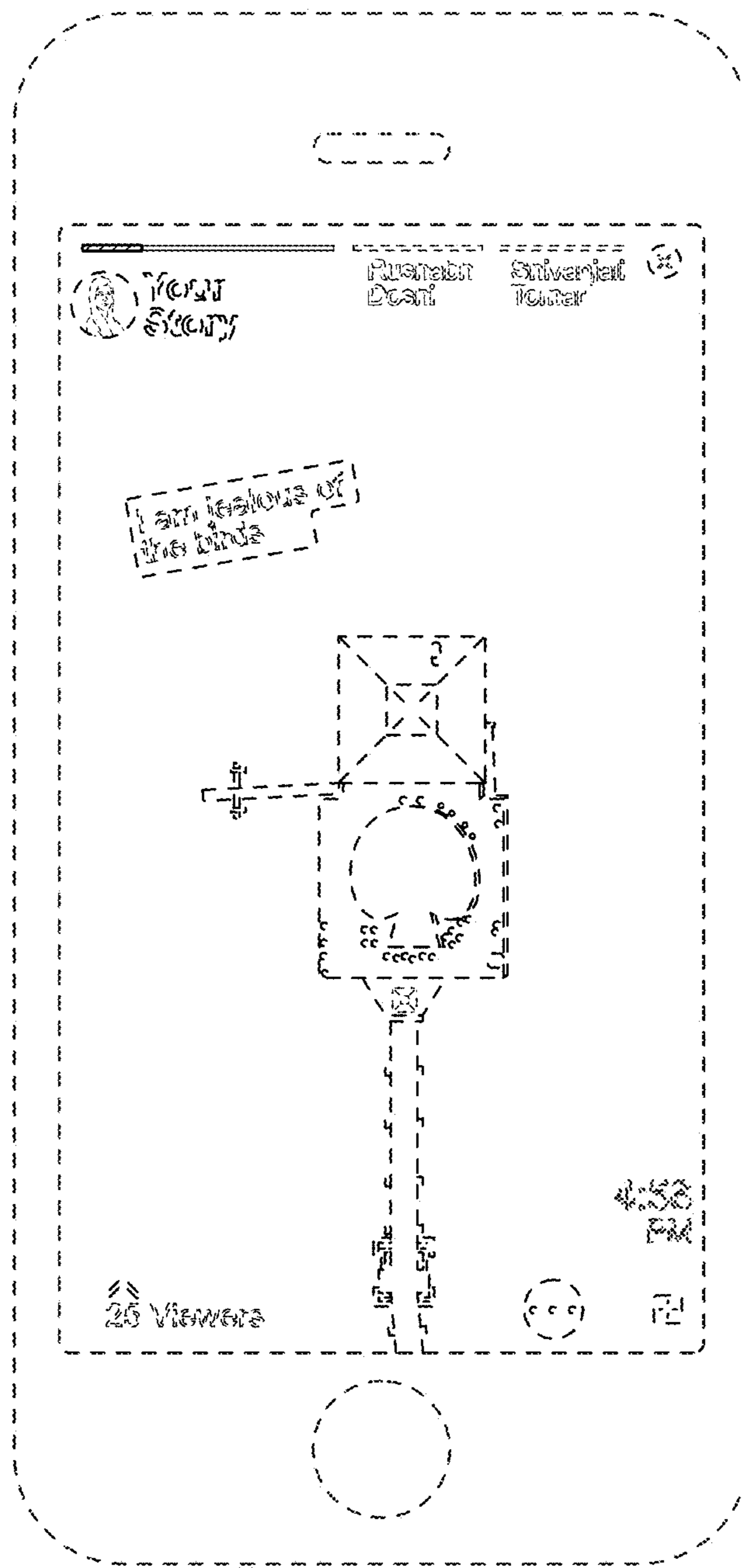


FIG. 1

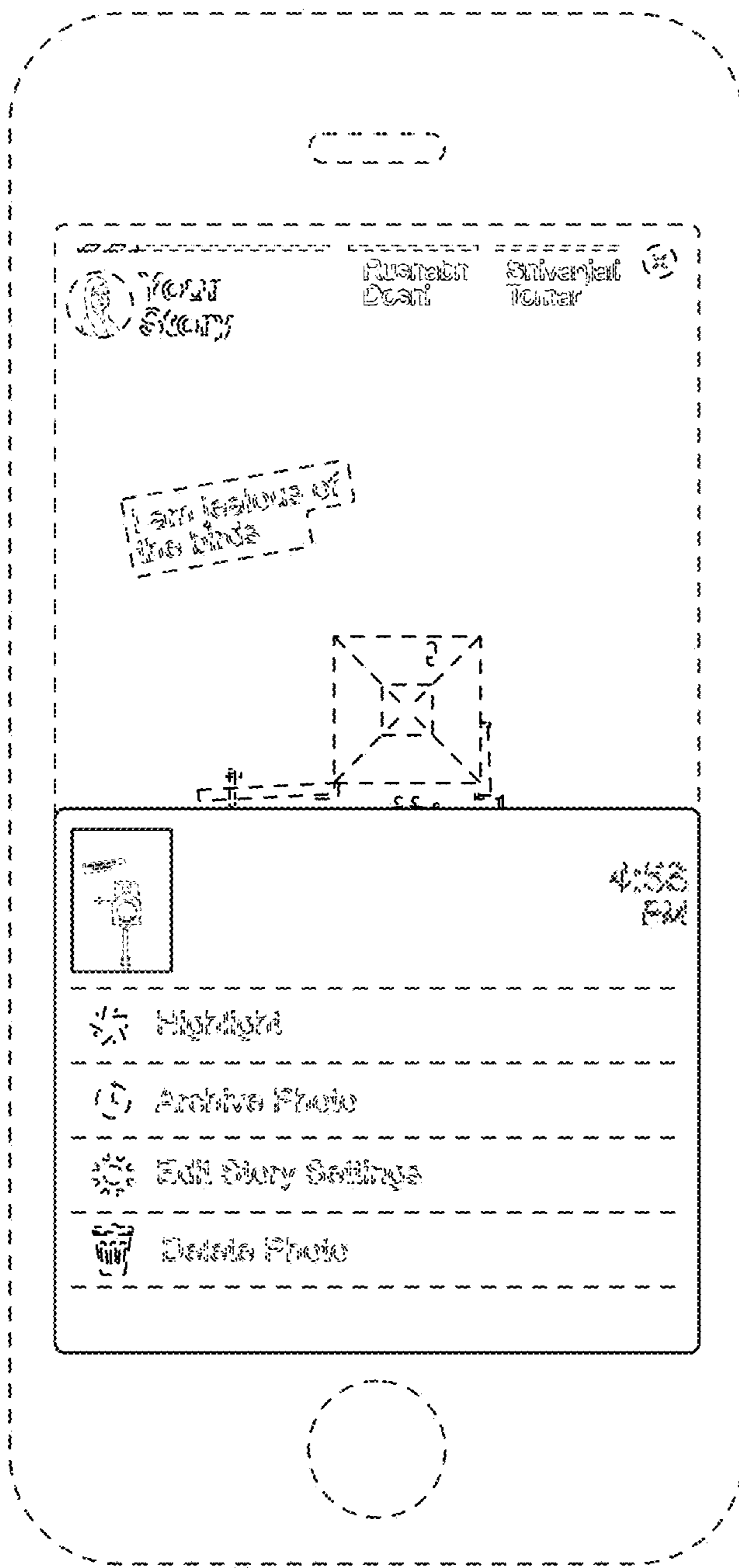


FIG. 2