



US00D913300S

(12) **United States Design Patent** (10) **Patent No.:** **US D913,300 S**
Matsuda et al. (45) **Date of Patent:** **** Mar. 16, 2021**

(54) **DISPLAY SCREEN WITH GRAPHICAL USER INTERFACE**

(71) Applicant: **Yahoo Japan Corporation**, Tokyo (JP)

(72) Inventors: **Yugo Matsuda**, Tokyo (JP); **Shintaro Nakajima**, Tokyo (JP); **Takashi Okuni**, Tokyo (JP)

(73) Assignee: **YAHOO JAPAN CORPORATION**, Tokyo (JP)

(**) Term: **15 Years**

(21) Appl. No.: **29/673,715**

(22) Filed: **Dec. 17, 2018**

(30) **Foreign Application Priority Data**

Sep. 13, 2018 (JP) 2018-020017

(51) **LOC (13) Cl.** **14-04**

(52) **U.S. Cl.**
USPC **D14/485**; D14/492

(58) **Field of Classification Search**
USPC D14/485-495
CPC G06F 3/048; G06F 3/0481; G06F 3/04812; G06F 3/04817; G06F 3/0482; G06F 3/0483; G06F 3/0484; G06F 3/04847; G06F 3/0485; G06F 3/04855; G06F 3/04886; G06Q 30/00; H03J 1/00; H03J 1/0008; H03J 1/0016; H03J 1/0025; H04N 5/00; H04N 5/08; H04N 5/14; H04N 5/222; H04N 5/225; H04N 5/232; H04N 5/445; H04N 5/44543; H04N 5/45; H04N 2005/44517; H04N 2005/44521; H04N 2005/44526; H04N 2005/4453; H04N 2005/44534; H04N 2005/44539; H04N 2005/44547; H04N 2005/44556; H04N 2005/4456; H04N 2005/44565; H04N 2005/44569; H04N 2005/44573; H04N 21/00; H04N 21/234; H04N 21/431; H04N 21/4312; H04N 21/4314; H04N 21/4316

See application file for complete search history.

(56) **References Cited**

U.S. PATENT DOCUMENTS

D624,935	S	*	10/2010	Umezawa	D14/493
D633,917	S	*	3/2011	Poling	D14/485
D633,918	S	*	3/2011	Vance	D14/486
D633,920	S	*	3/2011	Luke	D14/486
D648,347	S	*	11/2011	Chaudhri	D14/488
D669,906	S	*	10/2012	Cranfill	G06F 3/04883
						D14/485
D689,510	S	*	9/2013	Rodrigues	D14/486
D718,781	S	*	12/2014	Arnold	D14/486
D721,721	S	*	1/2015	Seung-Hyuck	D14/486
D738,395	S	*	9/2015	Barcheck	D14/486
D746,304	S	*	12/2015	Gray	D14/485
D748,133	S	*	1/2016	Ku	D14/488

(Continued)

OTHER PUBLICATIONS

“Web and mobile 2.” iconfinder.com. Added Oct. 1, 2017. Accessed May 9, 2020. Available online at URL: <https://www.iconfinder.com/iconsets/web-and-mobile-2-1> (Year: 2017).*

(Continued)

Primary Examiner — Christian P. McLean
(74) *Attorney, Agent, or Firm* — Weaver Austin Villeneuve & Sampson LLP

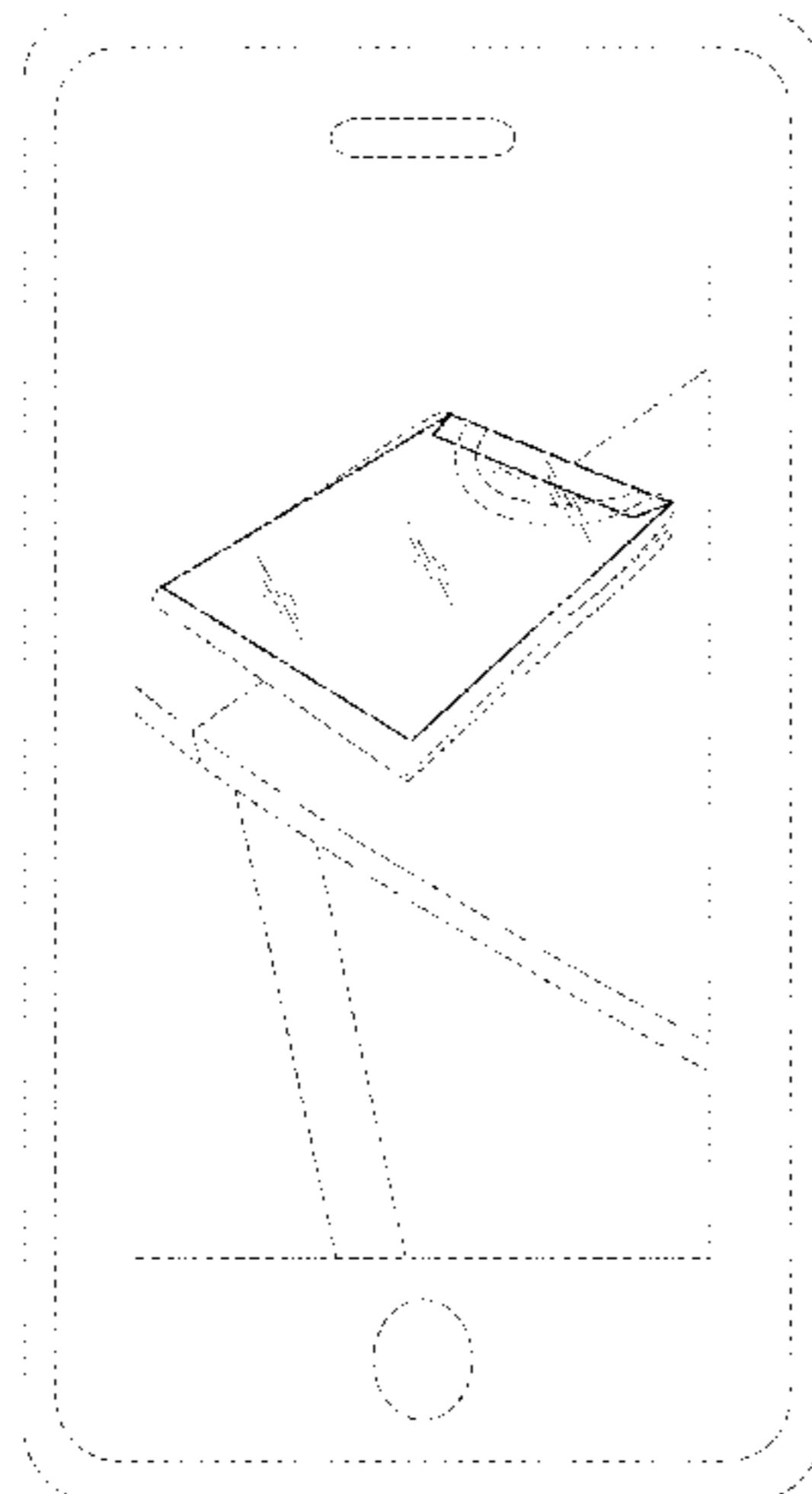
(57) **CLAIM**

The ornamental design for a display screen with graphical user interface, as shown and described.

DESCRIPTION

The FIGURE is a front view of a display screen with graphical user interface showing our new design. The broken lines illustrate portions of the graphical user interface and the environment of the graphical user interface, including a mobile device, that form no part of the claimed design.

1 Claim, 1 Drawing Sheet



(56)

References Cited

U.S. PATENT DOCUMENTS

D748,650	S	*	2/2016	Moon	D14/486
D751,093	S	*	3/2016	Moon	D14/486
D751,600	S	*	3/2016	Yoon	D14/488
D757,785	S	*	5/2016	Yang	D14/488
D759,088	S	*	6/2016	Shih	D14/488
D765,711	S	*	9/2016	Henderson	D14/486
D771,656	S	*	11/2016	Cranfill	D14/486
D772,908	S	*	11/2016	Ekstrand	D14/486
D775,146	S	*	12/2016	Edman	D14/485
D786,294	S	*	5/2017	Foss	D14/486
D806,111	S	*	12/2017	Wu	D14/486
D806,731	S	*	1/2018	Miller	D14/486
D814,507	S	*	4/2018	Lee	D14/488
D821,412	S	*	6/2018	Diament	D14/485
D835,649	S	*	12/2018	Balcom	D14/486
D842,886	S	*	3/2019	Krainer	D14/486
D844,016	S	*	3/2019	Christie	D14/486
D848,452	S	*	5/2019	Kanter	D14/485
D864,236	S	*	10/2019	Henderson	D14/486
D865,775	S	*	11/2019	Jones	D14/485
D865,811	S	*	11/2019	Dagley	D14/492
D870,740	S	*	12/2019	Nanavati	D14/485
D871,420	S	*	12/2019	Jones	D14/485
D890,778	S	*	7/2020	Kanter	D14/485
D896,833	S	*	9/2020	Christie	D14/486
2012/0249541	A1	*	10/2012	Sato	G06T 15/00 345/419

OTHER PUBLICATIONS

Panasovskyi, Oleksandr. "Envelope." iconscout.com. Updated Apr. 26, 2017. Accessed May 9, 2020. Available online at URL: <https://iconscout.com/icon/envelope-74> (Year: 2017).*

Brotkorb, Linda. "Post—Image ID: CXJ76T." alamy.com. Date taken Dec. 2010. Accessed May 9, 2020. Available online at URL: <https://www.alamy.com/stock-photo-post-50802608.html> (Year: 2010).*

"Doodle—General / Office." iconfinder.com. Added May 21, 2017. Accessed May 9, 2020. Available online at URL: <https://www.iconfinder.com/iconsets/doodle-general-office> (Year: 2017).*

"Svg Envelope . . ." icons-for-free.com. Published Jun. 9, 2018. Accessed May 9, 2020. Available online at URL: <https://icons-for-free.com/svg+envelope+envelope+general+large+envelope+mail+mailing+envelope+office+icon-1320185159733347958/> (Year: 2018).*

U.S. Trademark Serial No. 87259988 to Lucky Envelope Brewing LLC. Filed Dec. 7, 2016. Accessed May 9, 2020. Available online via Trademark Electronic Search System (TESS). (Year: 2016).*

U.S. Trademark Serial No. 85044693 to Lena Rivers LLC. Filed May 21, 2010. Accessed May 9, 2020. Available online via Trademark Electronic Search System (TESS). (Year: 2010).*

U.S. Trademark Serial No. 78746710 to IQ Secure Solutions Inc. Filed Nov. 3, 2005. Accessed May 9, 2020. Available online via Trademark Electronic Search System (TESS). (Year: 2005).*

"White closed envelope—Stock Illustration." depositphotos.com. Jun. 5, 2015. Retrieved Nov. 20, 2020 online at URL: <https://depositphotos.com/74556801/stock-illustration-white-closed-envelope.html> (Year: 2015).*

"Orange closed envelope—Stock Image." depositphotos.com. Oct. 29, 2015. Retrieved Nov. 20, 2020 online at URL: <https://depositphotos.com/88325088/stock-photo-orange-closed-envelope.html> (Year: 2015).*

"Large A4 white envelope [sic] mockup template." depositphotos.com. Apr. 6, 2018. Retrieved Nov. 20, 2020 online at URL: <https://depositphotos.com/190920124/stock-photo-large-a4-white-envelope-mockup.html> (Year: 2018).*

* cited by examiner

