



US00D913297S

(12) **United States Design Patent** (10) **Patent No.:** **US D913,297 S**
Coman (45) **Date of Patent:** **** Mar. 16, 2021**

(54) **DISPLAY STAND**

A47B 88/044; A47B 2021/0335; H02G 3/126; F16B 47/00; F16B 47/006; A47G 1/17; A47K 2201/00

(71) Applicant: **InDesign Technologies Pty Ltd,**
Queensland (AU)

See application file for complete search history.

(72) Inventor: **Peter Coman,** Queensland (AU)

(56) **References Cited**

(73) Assignee: **INDESIGN TECHNOLOGIES PTY LTD,** Queensland (AU)

U.S. PATENT DOCUMENTS

(**) Term: **15 Years**

(21) Appl. No.: **29/604,876**

(22) Filed: **May 22, 2017**

(30) **Foreign Application Priority Data**

Nov. 25, 2016 (AU) 201616616

(51) **LOC (13) Cl.** **14-02**

(52) **U.S. Cl.**
USPC **D14/451**

(58) **Field of Classification Search**
USPC D14/371-382, 125-129, 336, 337,
D14/447-452, 492, 335, 239, 457,
D14/439-441, 432, 251-253; D8/349,
D8/354, 363, 373, 376, 380; D21/333;
D12/415; D3/218; 348/180, 184, 325,
348/739, 825

CPC G06F 3/0412; G06F 3/016; G06F 3/0488;
G06F 3/011; G06F 3/038; G06F 3/03543;
G06F 3/0338; G06F 3/0202; G06F
3/0219; G06F 3/0213; G06F 1/1616;
G06F 3/023; G06F 3/04883; G02F
1/13338; G02F 1/1313; G02F 1/1333;
G02F 1/135; G02F 1/132; G02F
1/133308; G02F 1/134309; G02F
1/13718; G09G 3/3648; G06K 15/1252;
B41J 2/465; G03F 7/70291; G02B
27/0172; G02B 5/30; G02B 2027/0118;
G02B 27/0101; F16M 13/02; F16M
13/00; F16M 11/10; F16M 11/04; F16M
2200/08; F16M 11/2021; A47B 21/0314;

D260,390 S *	8/1981	Bertagni	D14/211
D603,412 S *	11/2009	Wills	D14/451
D615,072 S *	5/2010	Saitou	D14/239
D615,963 S *	5/2010	Cho	D14/214
D712,691 S *	9/2014	Xiang	D6/678.1
D715,938 S *	10/2014	Li	D24/158
D742,863 S *	11/2015	Aoyagi	D14/239
D744,566 S *	12/2015	Matuschek	D16/131
D789,886 S *	6/2017	Socha-Leialoha	D13/108
D811,460 S *	2/2018	Apotheloz	D16/131
D852,175 S *	6/2019	Morita	D14/239
D852,789 S *	7/2019	Pei	D14/239
D853,403 S *	7/2019	Lyu	D14/451

* cited by examiner

Primary Examiner — Katie Jane Stofko

(74) *Attorney, Agent, or Firm* — Wegman Hessler

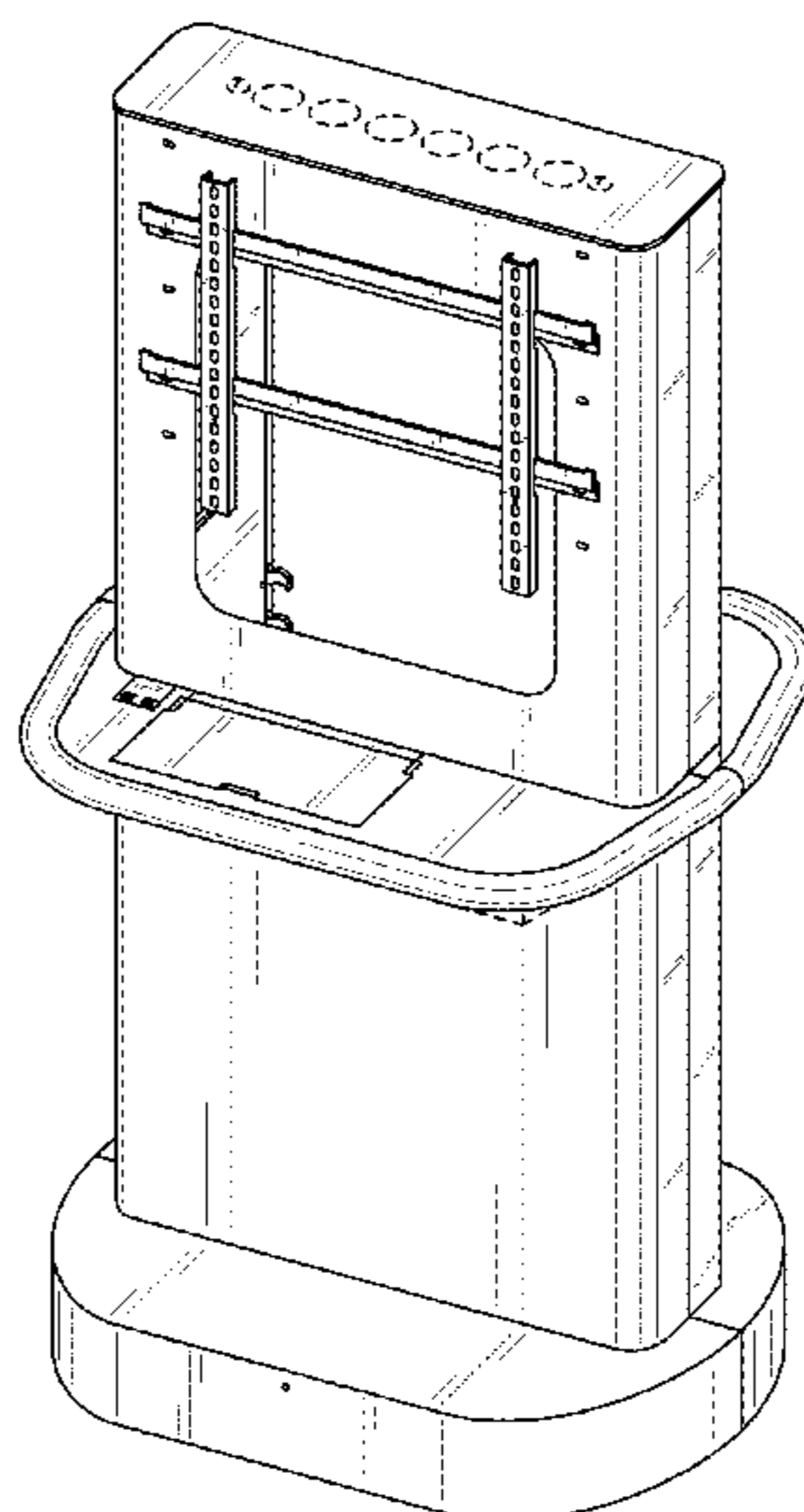
(57) **CLAIM**

I claim the ornamental design for a display stand, as shown and described.

DESCRIPTION

FIG. 1 is a front perspective view of a display stand showing my new design;
FIG. 2 is a front elevation view thereof; and
FIG. 3 is a left side elevation view thereof;
FIG. 4 is a right side elevation view thereof;
FIG. 5 is a rear elevation view thereof;
FIG. 6 is a top plan view thereof; and,
FIG. 7 is a bottom plan view thereof.
Any broken lines in the drawings illustrate portions of the display stand and form no part of the claimed design.

1 Claim, 7 Drawing Sheets



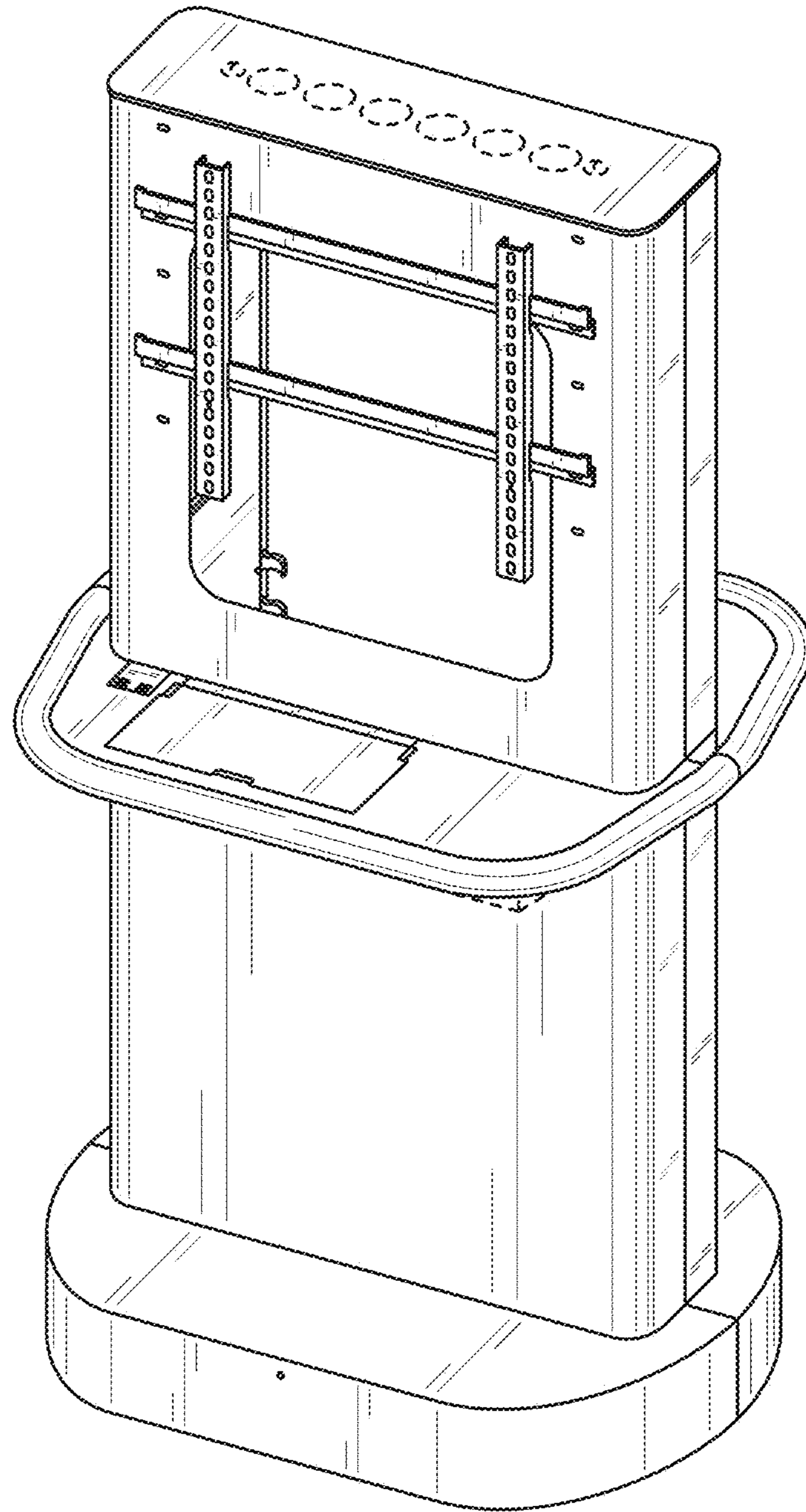


FIG. 1

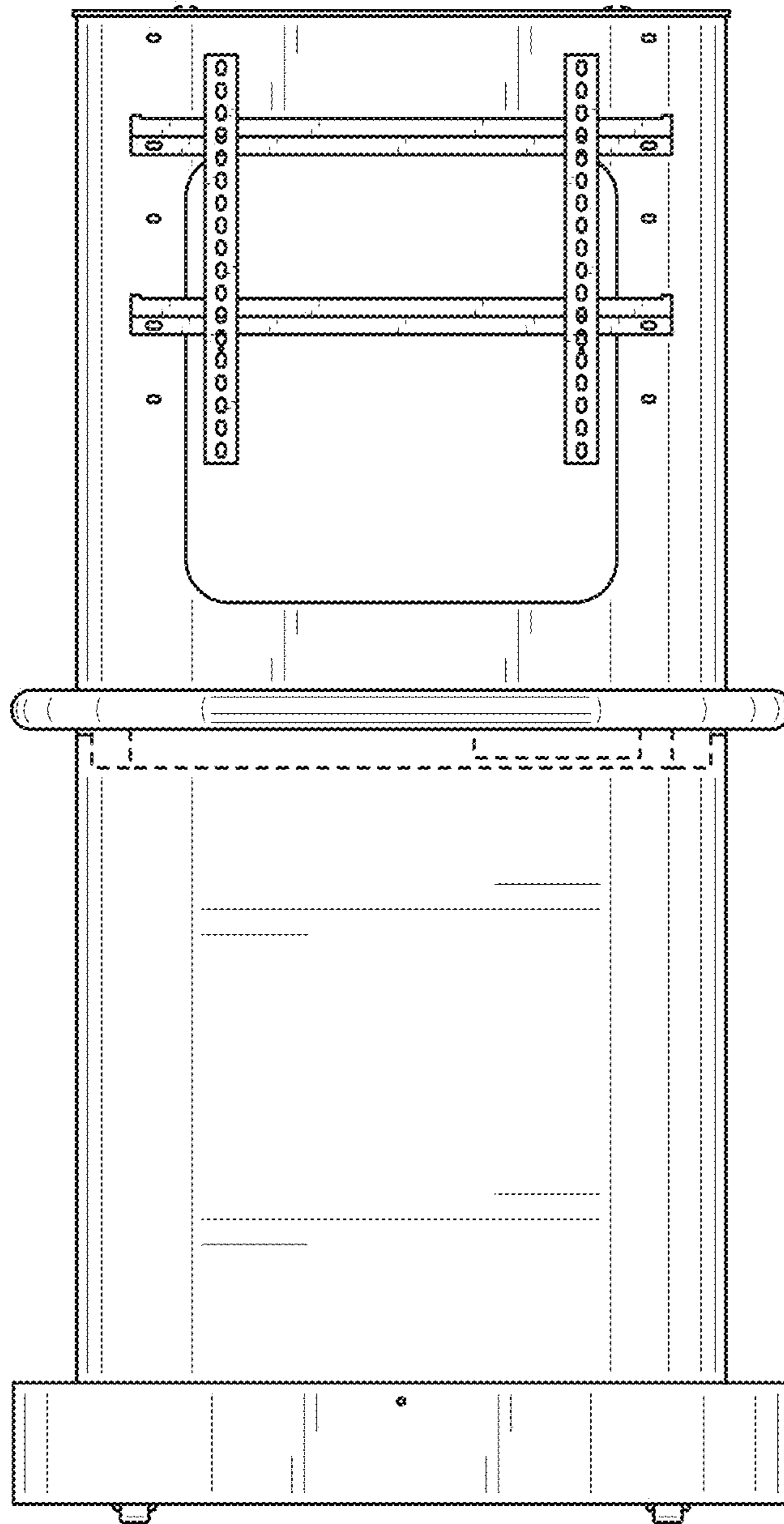


FIG. 2

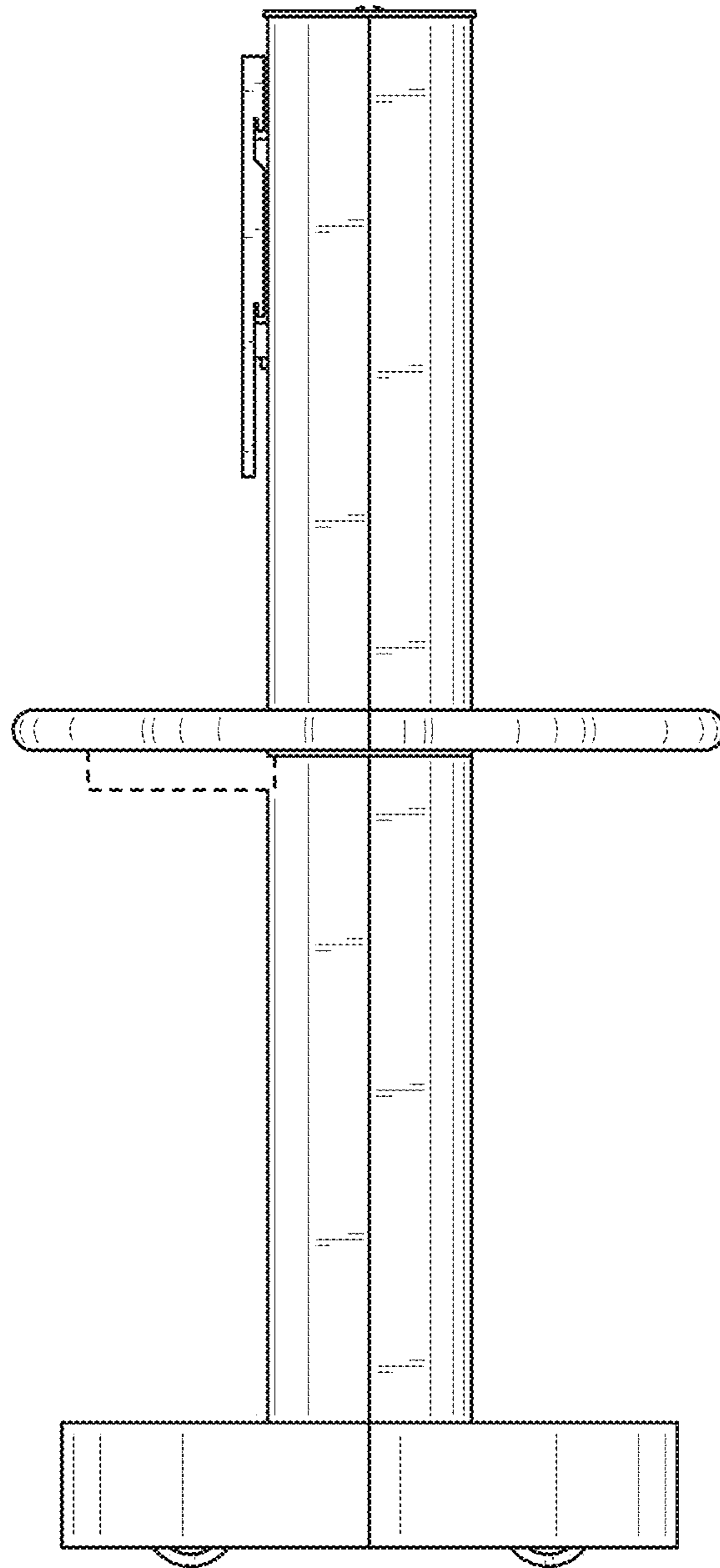


FIG. 3

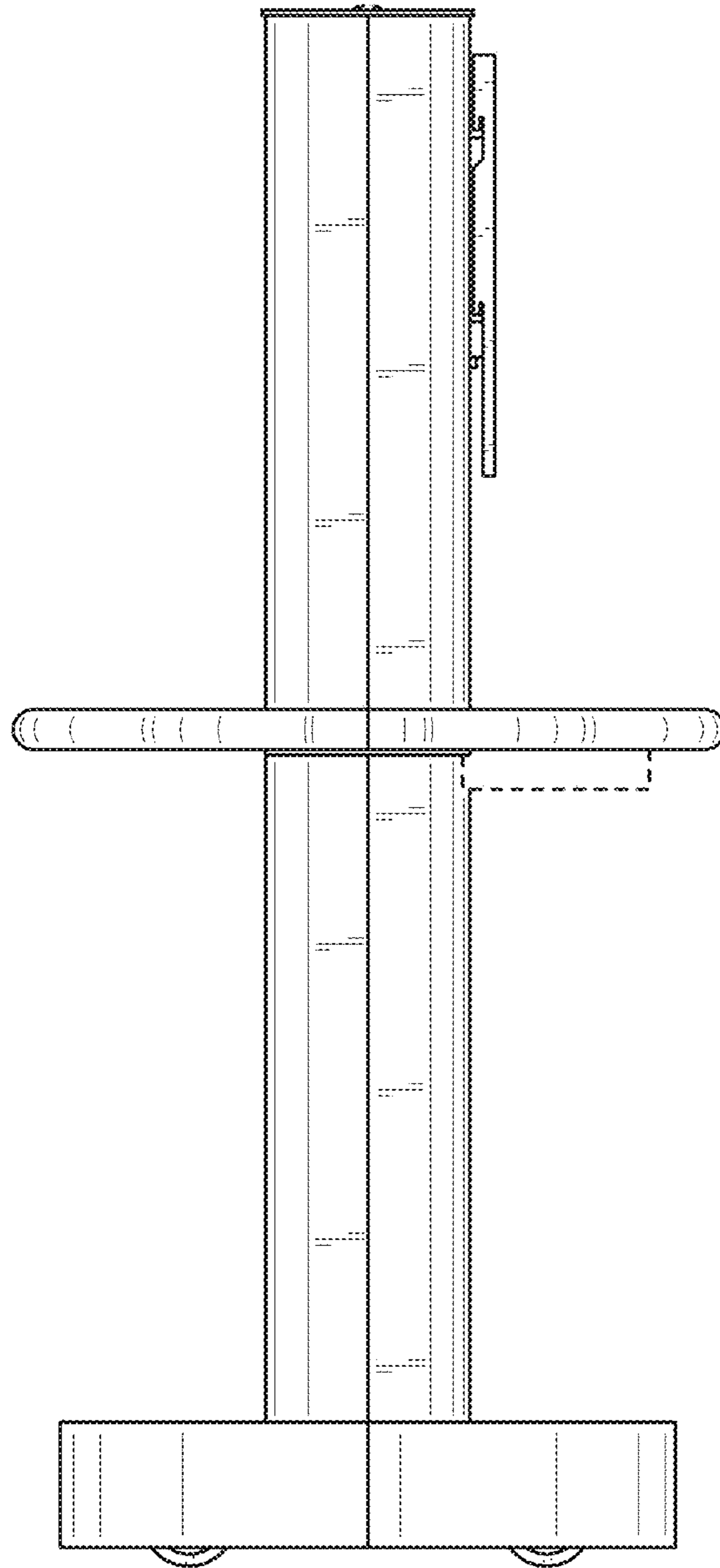


FIG. 4

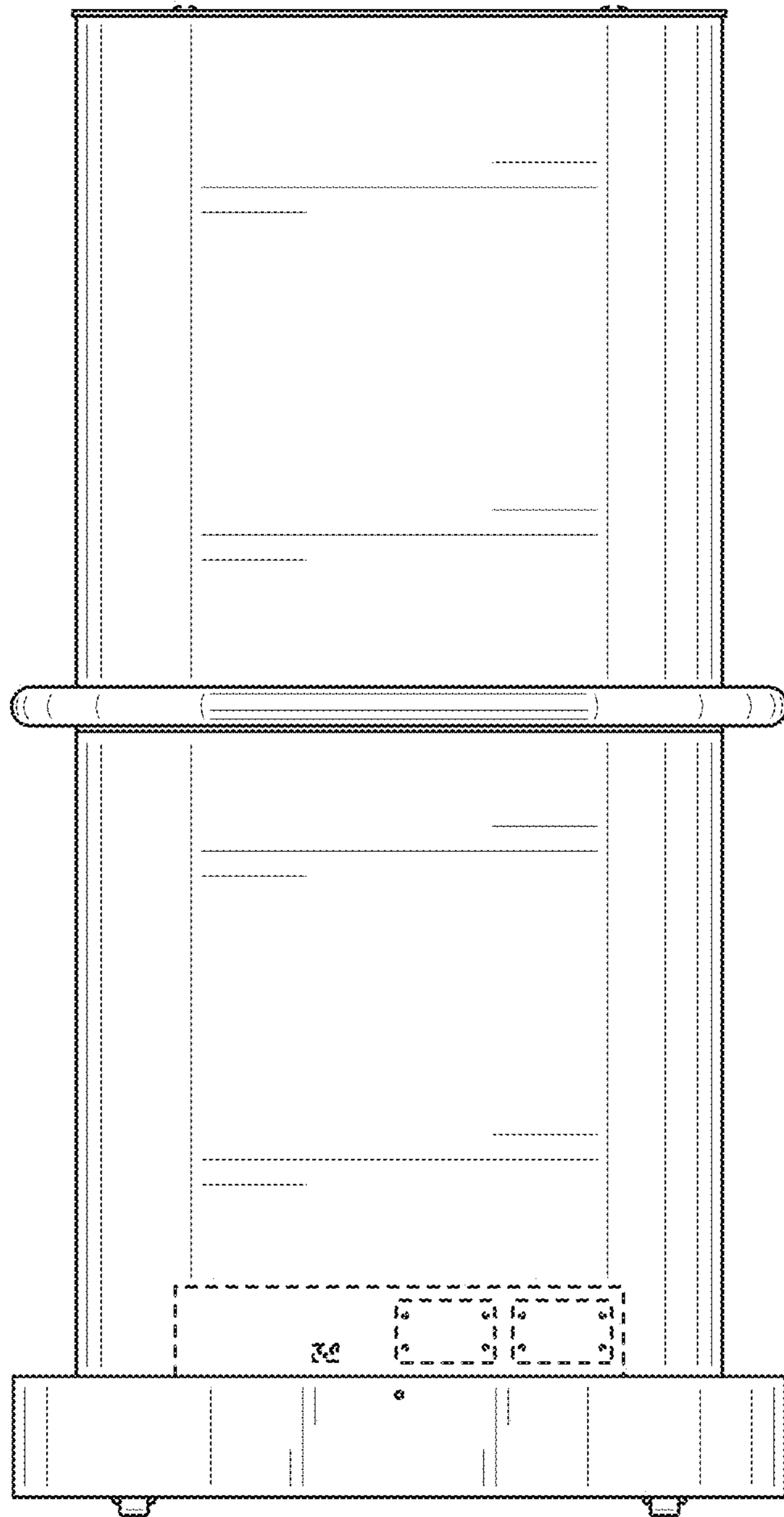


FIG. 5

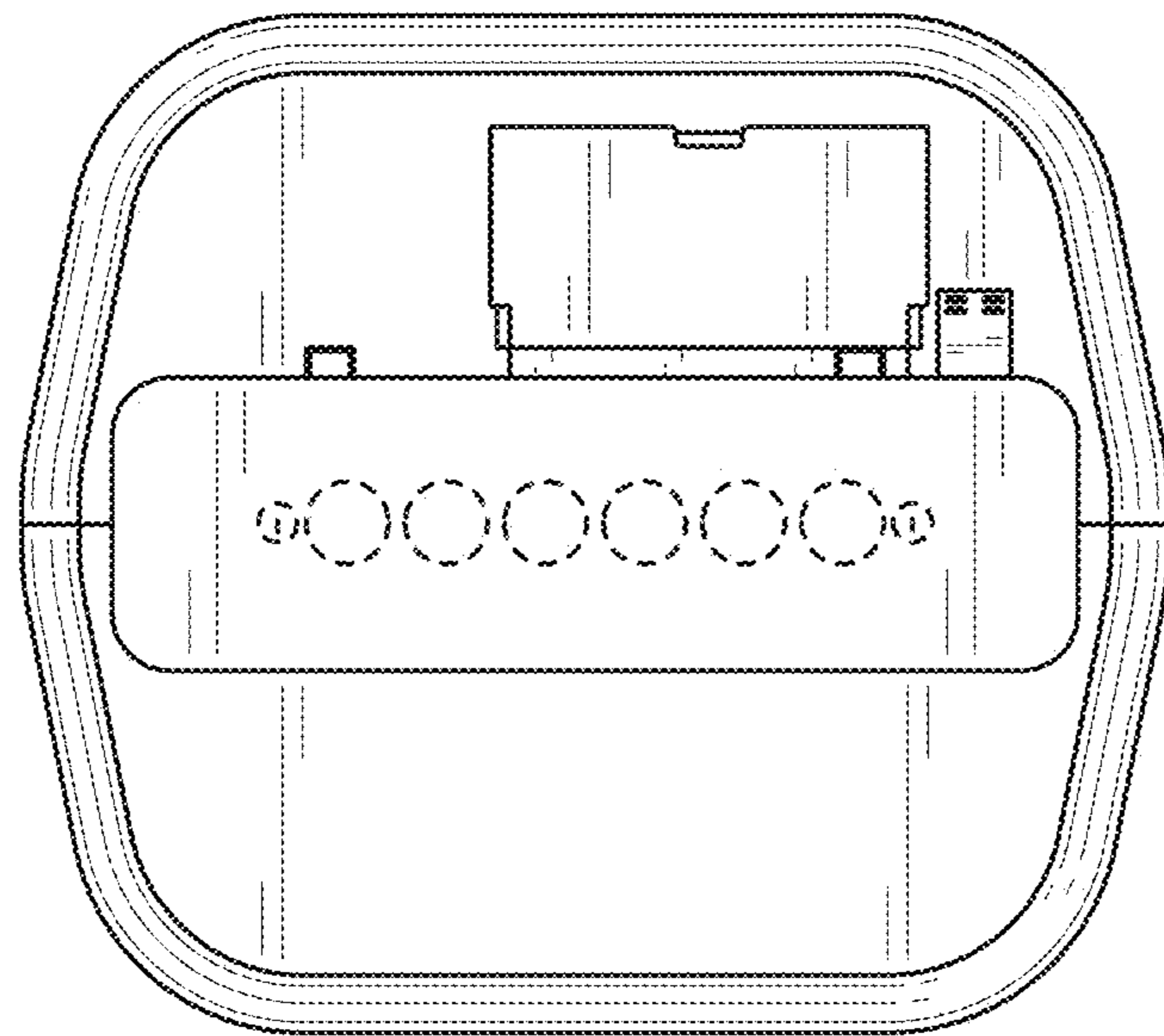


FIG. 6

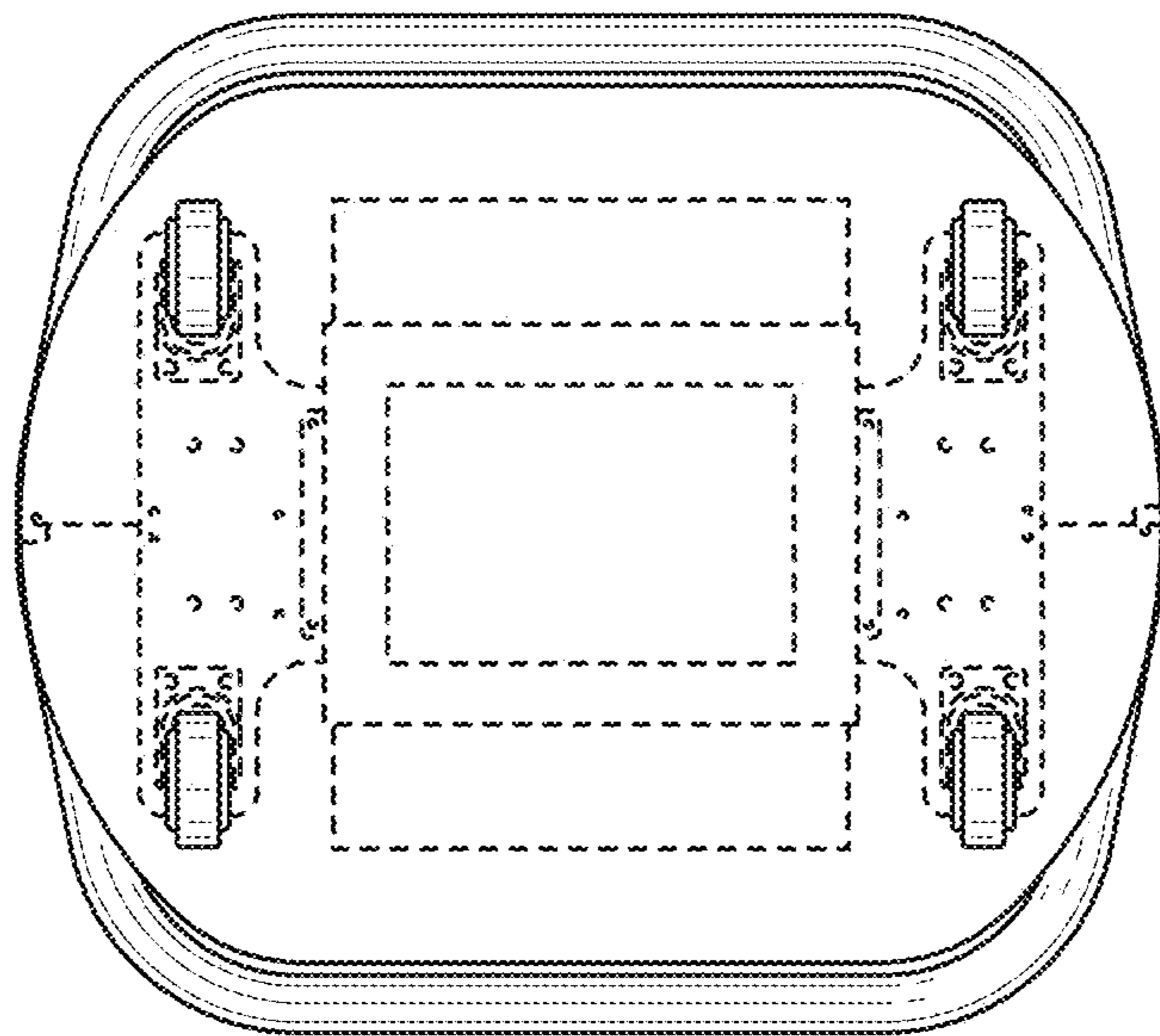


FIG. 7