



US00D913294S

(12) **United States Design Patent**  
**Li**

(10) **Patent No.:** **US D913,294 S**  
(45) **Date of Patent:** **\*\* Mar. 16, 2021**

(54) **PROTECTIVE COVER FOR TABLETS**

(71) Applicant: **Shenzhen Honggaoda Industry Co., Ltd.**, Guangdong (CN)

(72) Inventor: **Jianhui Li**, Shenzhen (CN)

(\*\*) Term: **15 Years**

(21) Appl. No.: **29/710,224**

(22) Filed: **Oct. 22, 2019**

(30) **Foreign Application Priority Data**

Sep. 10, 2019 (EM) ..... 006850335

(51) **LOC (13) Cl.** ..... **14-02**

(52) **U.S. Cl.**  
USPC ..... **D14/440**

(58) **Field of Classification Search**  
USPC ..... D14/440, 447, 250; 206/45.23, 320,  
206/45.2; 361/679.55; 294/25; 224/218  
CPC ... G06F 1/1628; G06F 1/1626; A47B 23/044;  
H04B 1/3888  
See application file for complete search history.

(56) **References Cited**

**U.S. PATENT DOCUMENTS**

D689,056 S *	9/2013	Li	.....	D14/440
D690,704 S *	10/2013	Padilla	.....	D14/440
D691,144 S *	10/2013	Peters	.....	D14/440
D691,146 S *	10/2013	Perez	.....	D14/440
D727,917 S *	4/2015	Yeo	.....	D14/440
D733,154 S *	6/2015	Armstrong	.....	D14/440
D752,052 S *	3/2016	Park	.....	D14/440
D763,853 S *	8/2016	Pearce	.....	D14/440
D766,249 S *	9/2016	Veltz	.....	D14/440
D784,350 S *	4/2017	Li	.....	D14/440
D784,542 S *	4/2017	Zwierstra	.....	D24/186
D790,550 S *	6/2017	Chen	.....	D14/440
D803,221 S *	11/2017	Guo	.....	D14/440

D806,080 S *	12/2017	Chen	.....	D14/440
D807,366 S *	1/2018	Chen	.....	D14/440
D807,369 S *	1/2018	Chen	.....	D14/440
D807,513 S *	1/2018	Eslava	.....	D24/186
D808,973 S *	1/2018	Chen	.....	D14/440
D811,412 S *	2/2018	McCurdy	.....	D14/440
D812,620 S *	3/2018	Cheng	.....	D14/440
D821,405 S *	6/2018	Chen	.....	D14/440
D852,200 S *	6/2019	Chan	.....	D14/440
D854,022 S *	7/2019	Chen	.....	D14/440
D860,212 S *	9/2019	Ahn	.....	D14/440
D862,442 S *	10/2019	Wei	.....	D14/250
D862,478 S *	10/2019	Ahn	.....	D14/440
D862,479 S *	10/2019	Ahn	.....	D14/440

(Continued)

*Primary Examiner* — Cynthia R Underwood

(74) *Attorney, Agent, or Firm* — ZANIP

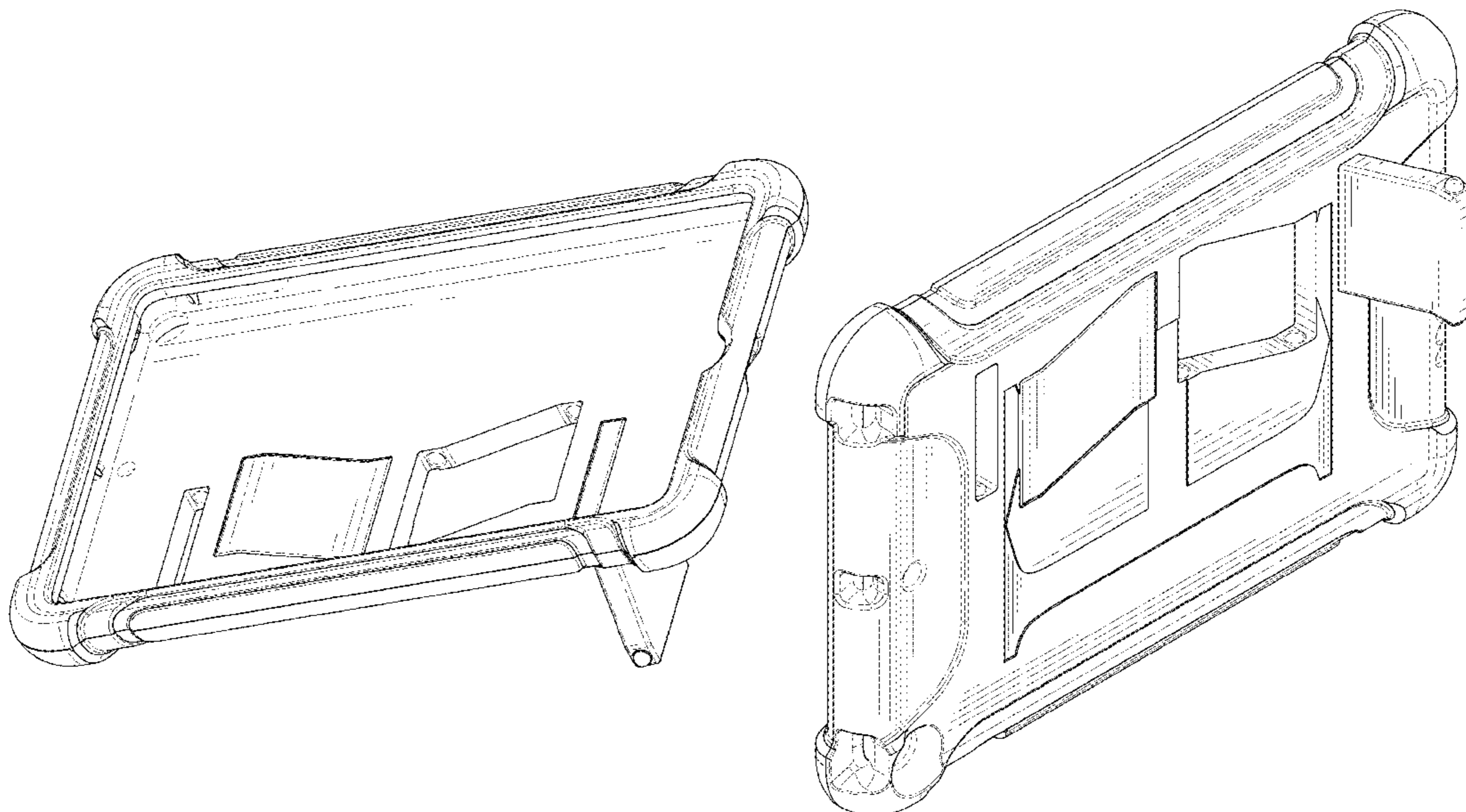
(57) **CLAIM**

The ornamental design for a protective cover for tablets, as shown and described.

**DESCRIPTION**

FIG. 1 is a front perspective view of a protective cover for tablets, showing my new design;  
 FIG. 2 is a rear perspective view thereof;  
 FIG. 3 is a front elevational view thereof;  
 FIG. 4 is a rear elevational view thereof;  
 FIG. 5 is a left side elevational view thereof;  
 FIG. 6 is a right side elevational view thereof;  
 FIG. 7 is a top plan view thereof;  
 FIG. 8 is a bottom plan view thereof; and,  
 FIG. 9 is a perspective view showing the protective cover for tablets in a use status.  
 The broken lines in the figures illustrate portions of the protective cover for tablets that form no part of the claimed design.  
 The broken lines shown in the drawings depict environmental structure that form, no part of the claimed design.

**1 Claim, 9 Drawing Sheets**



(56)

**References Cited**

U.S. PATENT DOCUMENTS

D862,480 S \* 10/2019 Chan ..... D14/440  
D879,104 S \* 3/2020 Li ..... D14/440  
D879,789 S \* 3/2020 Li ..... D14/440  
D881,197 S \* 4/2020 Chen ..... D14/440  
D881,893 S \* 4/2020 Zaxiang ..... D14/440  
D881,894 S \* 4/2020 Zhang ..... D14/440  
D884,709 S \* 5/2020 Cheng ..... D14/440  
D886,109 S \* 6/2020 Li ..... D14/440  
D893,497 S \* 8/2020 Li ..... D14/440  
D897,349 S \* 9/2020 Li ..... D14/440  
2007/0113458 A1\* 5/2007 Wang ..... F16M 11/10  
40/753  
2012/0075799 A1\* 3/2012 Pollex ..... F16M 11/041  
361/679.56  
2012/0145843 A1\* 6/2012 Ho ..... F16M 13/00  
248/176.3  
2017/0045920 A1\* 2/2017 Armstrong ..... G06F 1/1669

\* cited by examiner

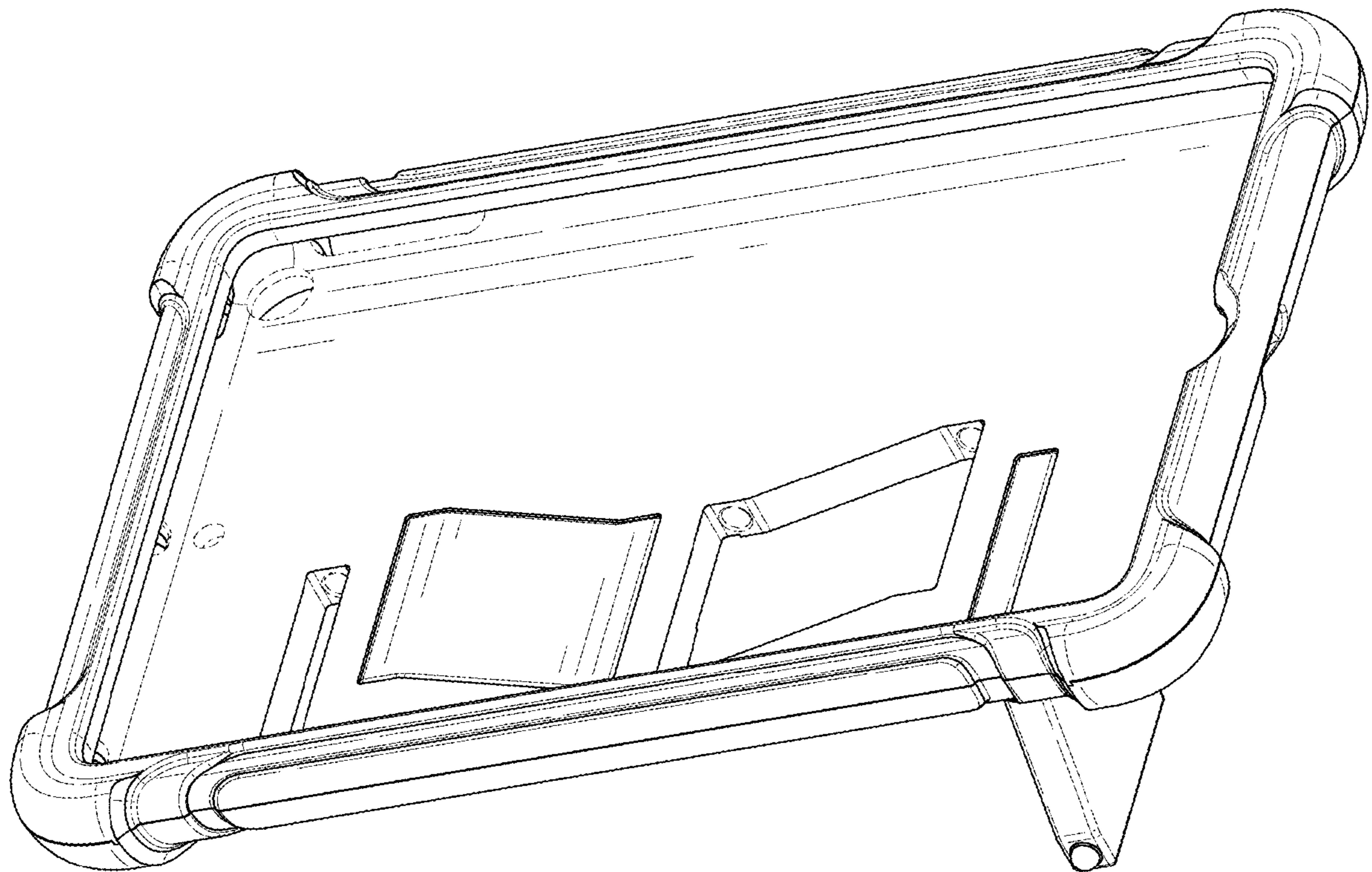


FIG. 1

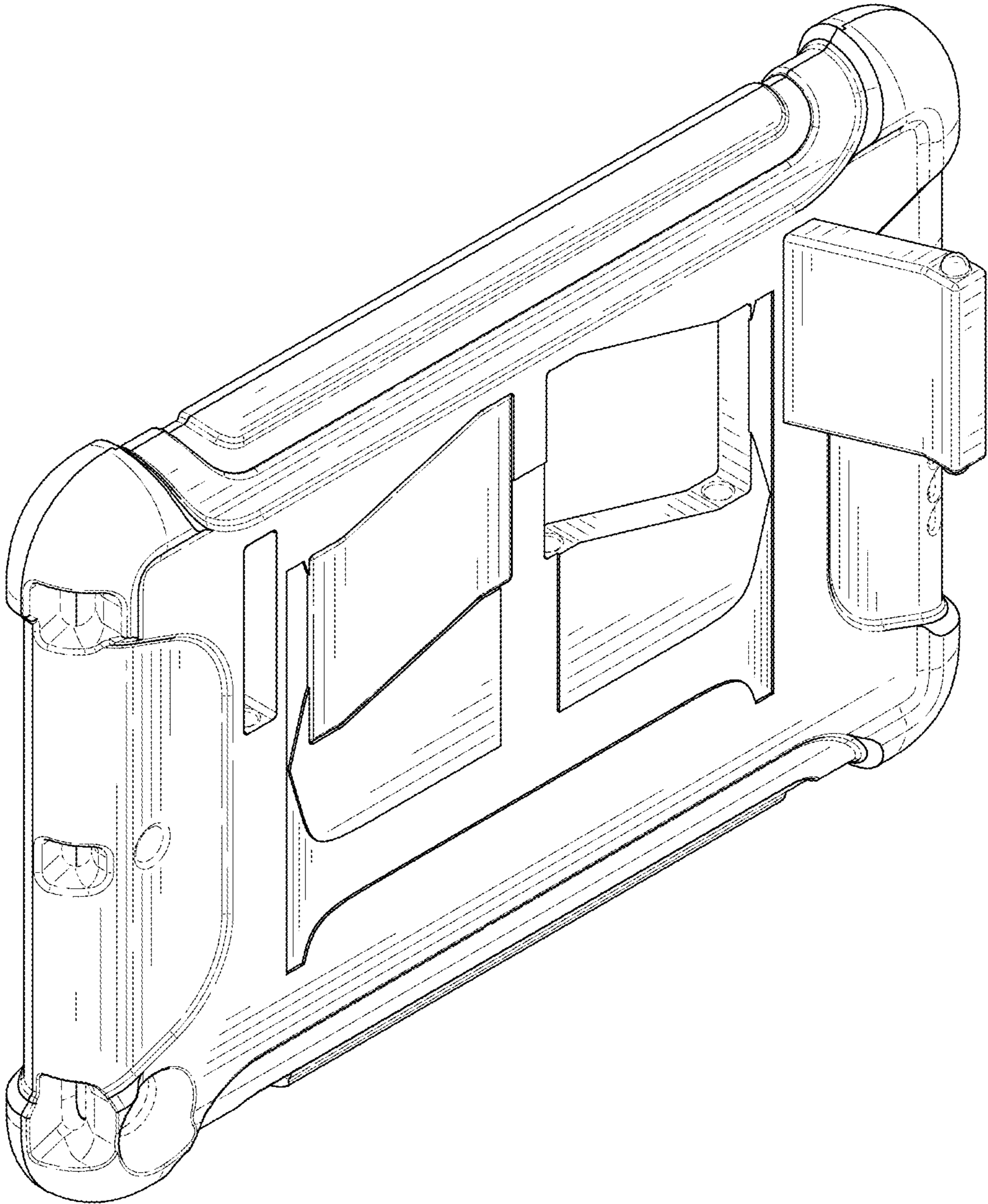


FIG. 2

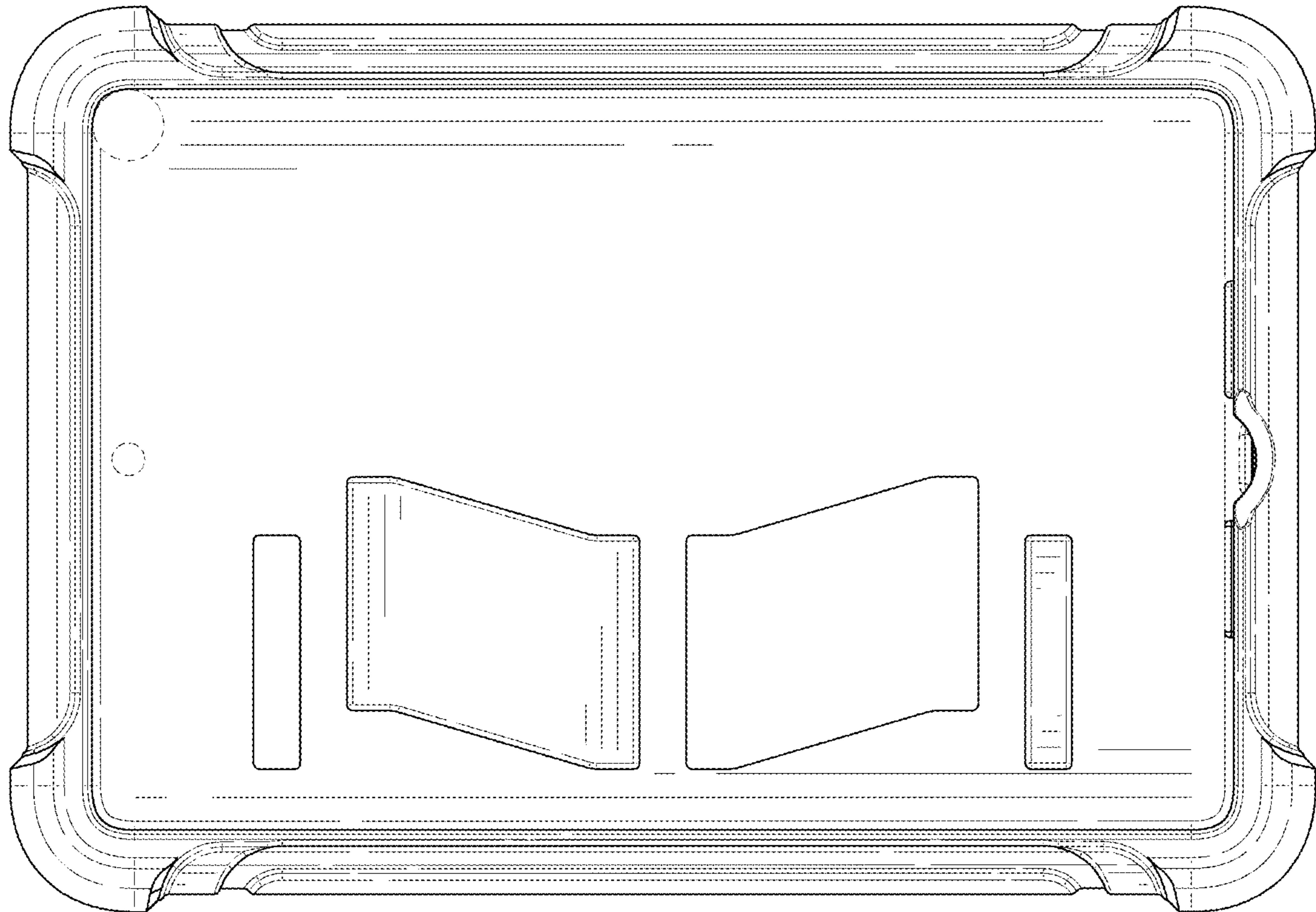


FIG. 3

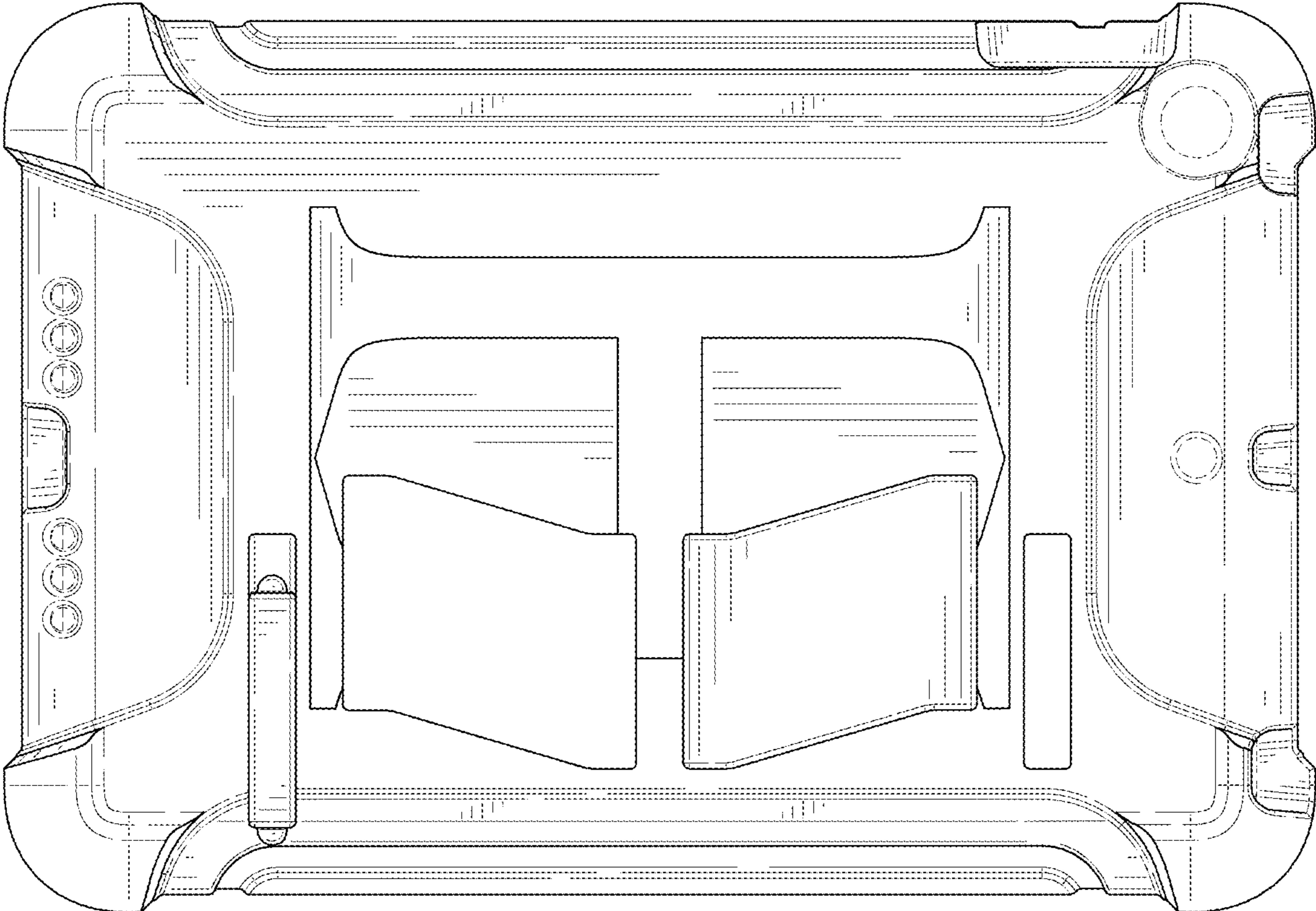


FIG. 4

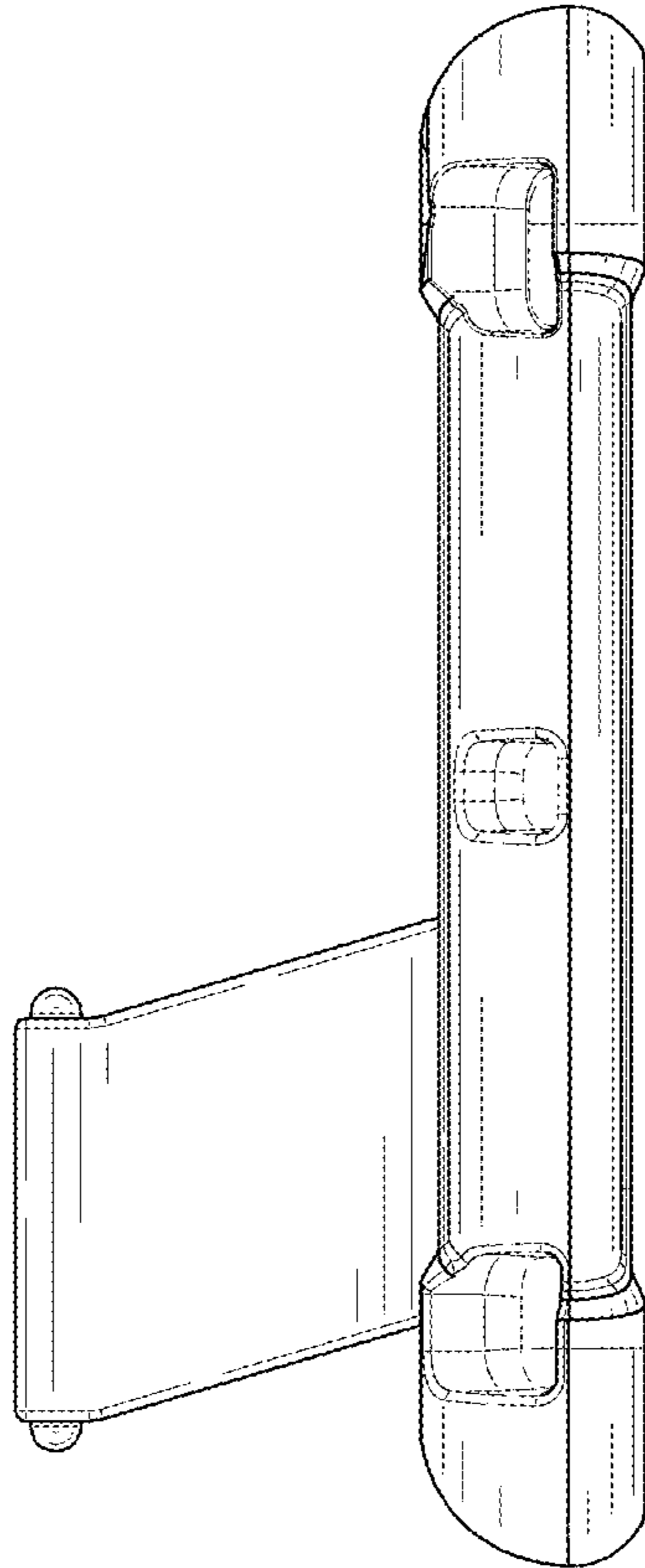


FIG. 5

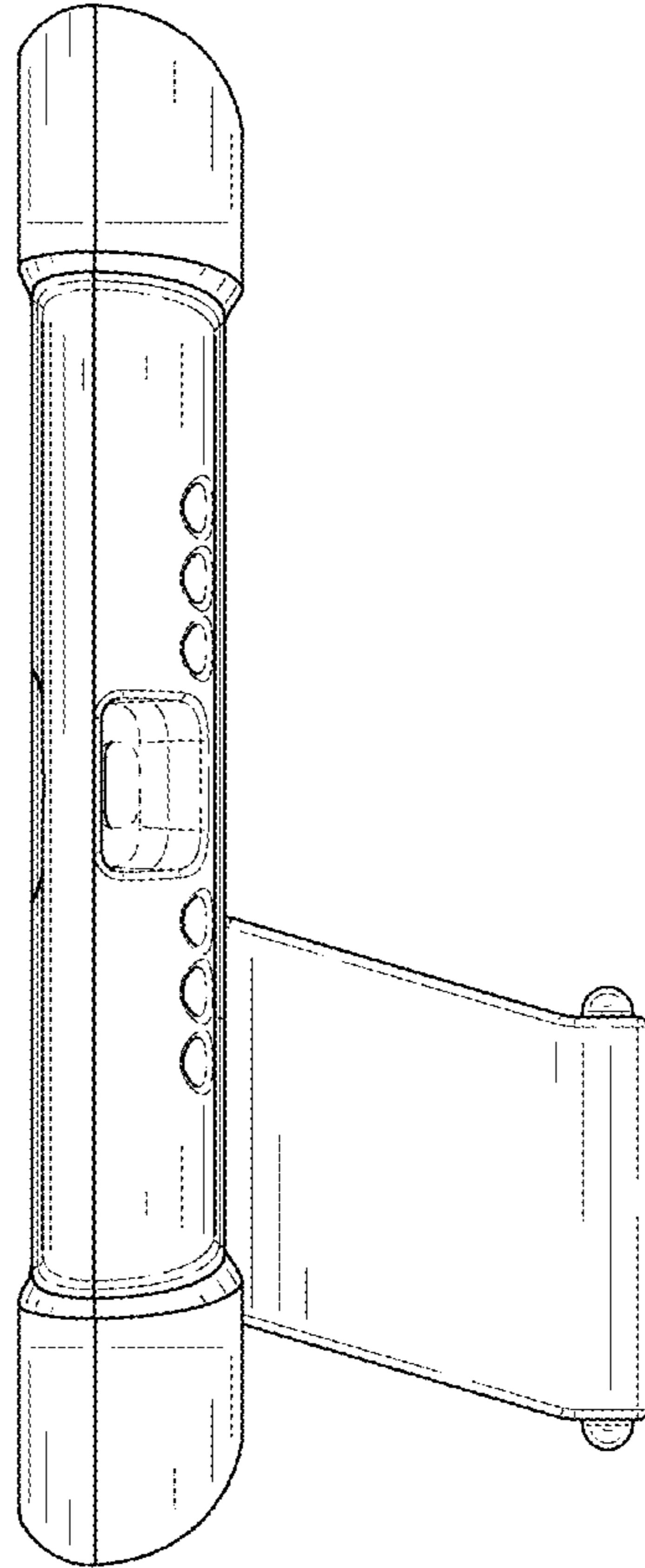


FIG. 6



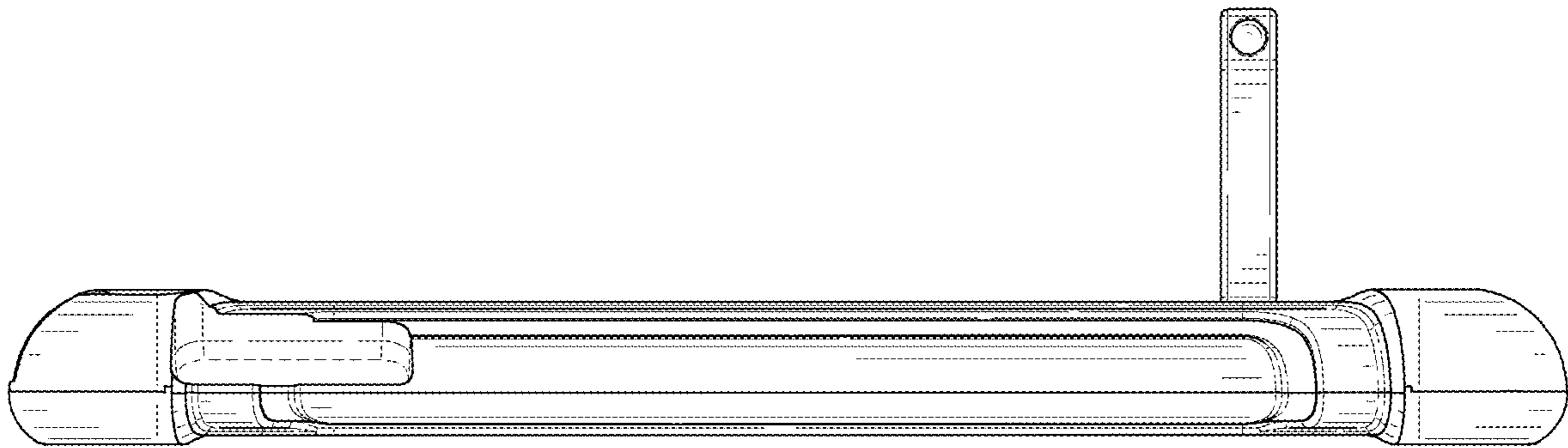


FIG. 7



FIG. 8

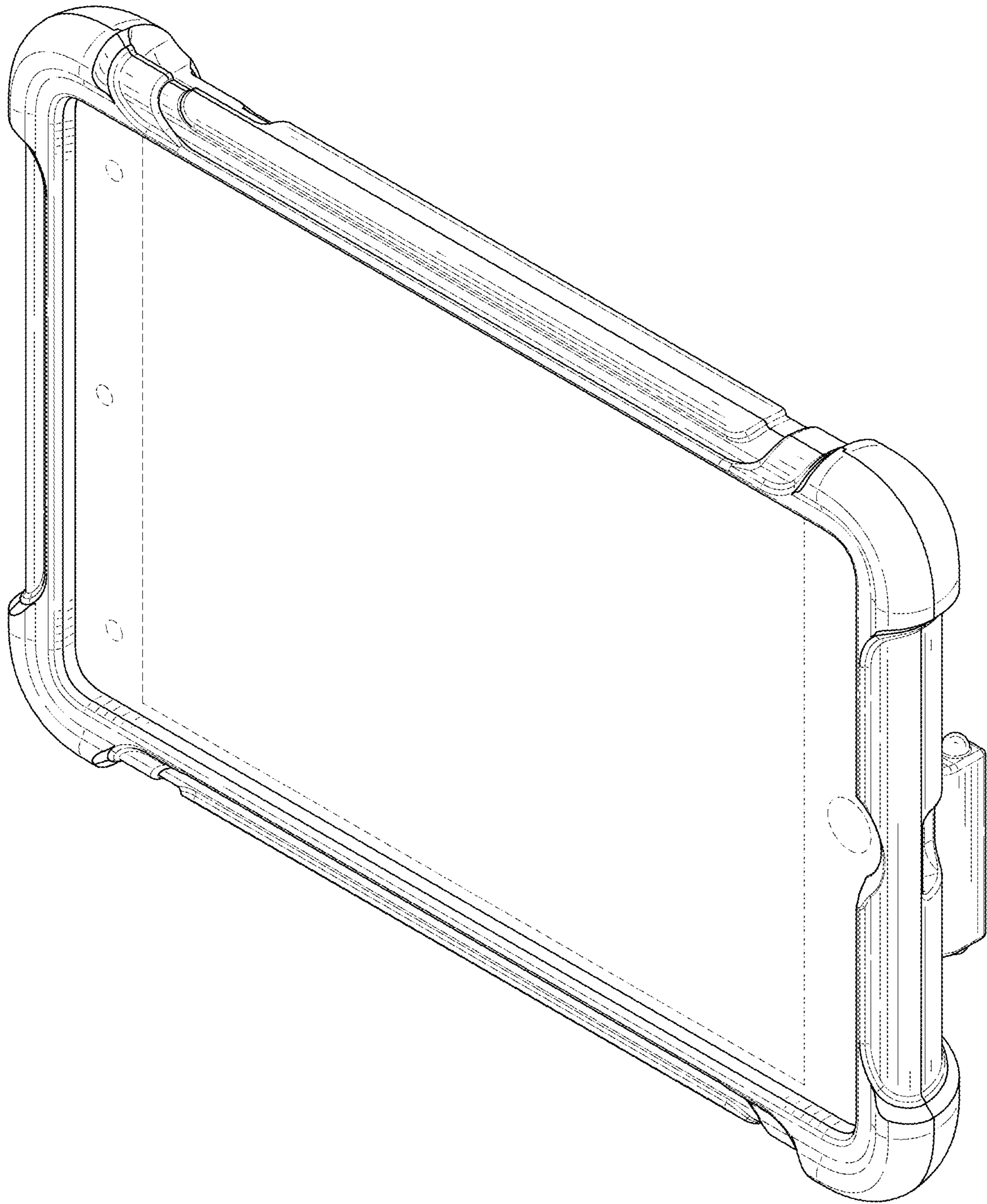


FIG. 9