



US00D913292S

(12) **United States Design Patent** (10) **Patent No.:** **US D913,292 S**
Brown (45) **Date of Patent:** **** Mar. 16, 2021**

(54) **EARBUDS CASE**
(71) Applicant: **Quincy Brown**, New York, NY (US)
(72) Inventor: **Quincy Brown**, New York, NY (US)
(**) Term: **15 Years**
(21) Appl. No.: **29/703,113**
(22) Filed: **Aug. 23, 2019**
(51) **LOC (13) Cl.** **14-02**
(52) **U.S. Cl.**
USPC **D14/440**; D3/294
(58) **Field of Classification Search**
USPC D14/440, 447, 250; 206/45.23, 320,
206/45.2; 361/679.55; 294/25; 224/218;
D3/294
CPC ... G06F 1/1628; G06F 1/1626; A47B 23/044;
H04B 1/3888
See application file for complete search history.

D864,971 S * 10/2019 Lee D14/440
D868,453 S * 12/2019 Lee D3/201
D868,465 S * 12/2019 Lee D3/269
D872,094 S * 1/2020 Wright D14/440
D872,468 S * 1/2020 Lee D3/269
D872,469 S * 1/2020 Lee D3/269
D873,217 S * 1/2020 Zhang D13/108
D876,821 S * 3/2020 Lee D3/203.3
D878,754 S * 3/2020 Lee D3/270
D882,259 S * 4/2020 Liu D3/269
D883,296 S * 5/2020 Lee D14/440
D886,453 S * 6/2020 Wright D3/294
D891,434 S * 7/2020 Lee D14/440
D893,166 S * 8/2020 Lu D3/201
D894,123 S * 8/2020 Xiong D13/108
D904,025 S * 12/2020 Ma D3/295
D904,763 S * 12/2020 Koneru D3/274
2007/0256946 A1 * 11/2007 Godshaw B65D 25/10
206/320

* cited by examiner

Primary Examiner — Cynthia R Underwood
(74) *Attorney, Agent, or Firm* — Pryor Cashman LLP

(57) **CLAIM**

The ornamental design for an earbuds case, as shown and described.

DESCRIPTION

FIG. 1 is a top-front perspective view of an earbuds case; FIG. 2 is a back-bottom perspective view of the earbuds case; FIG. 3 is a front view of the earbuds case; FIG. 4 is a back view of the earbuds case; FIG. 5 is a left side view of the earbuds case; FIG. 6 is a right side view of the earbuds case; FIG. 7 is a top view of the earbuds case; and, FIG. 8 is a bottom view of the earbuds case. The broken lines in the drawings are for illustrative purposes only and form no part of the claimed design.

1 Claim, 8 Drawing Sheets

(56) **References Cited**
U.S. PATENT DOCUMENTS

D323,929 S * 2/1992 Hodson D14/440
D377,788 S * 2/1997 Carlson D14/440
D467,799 S * 12/2002 Persson D9/420
D558,973 S * 1/2008 Hussaini D3/201
D714,296 S * 9/2014 Fujioka D14/440
8,831,538 B2 * 9/2014 Yuen A61B 5/222
455/90.1
D720,096 S * 12/2014 McDougall D28/66
D740,692 S * 10/2015 Christie D9/748
D764,476 S * 8/2016 Gleason, III D14/440
D810,421 S * 2/2018 Ross D3/203.1
D812,065 S * 3/2018 Shim D14/440
D817,640 S * 5/2018 Dang D3/294
D818,268 S * 5/2018 Akana D3/294
D846,264 S * 4/2019 Wu D3/201
D849,401 S * 5/2019 Akana D3/274
D864,565 S * 10/2019 Lee D3/271.1

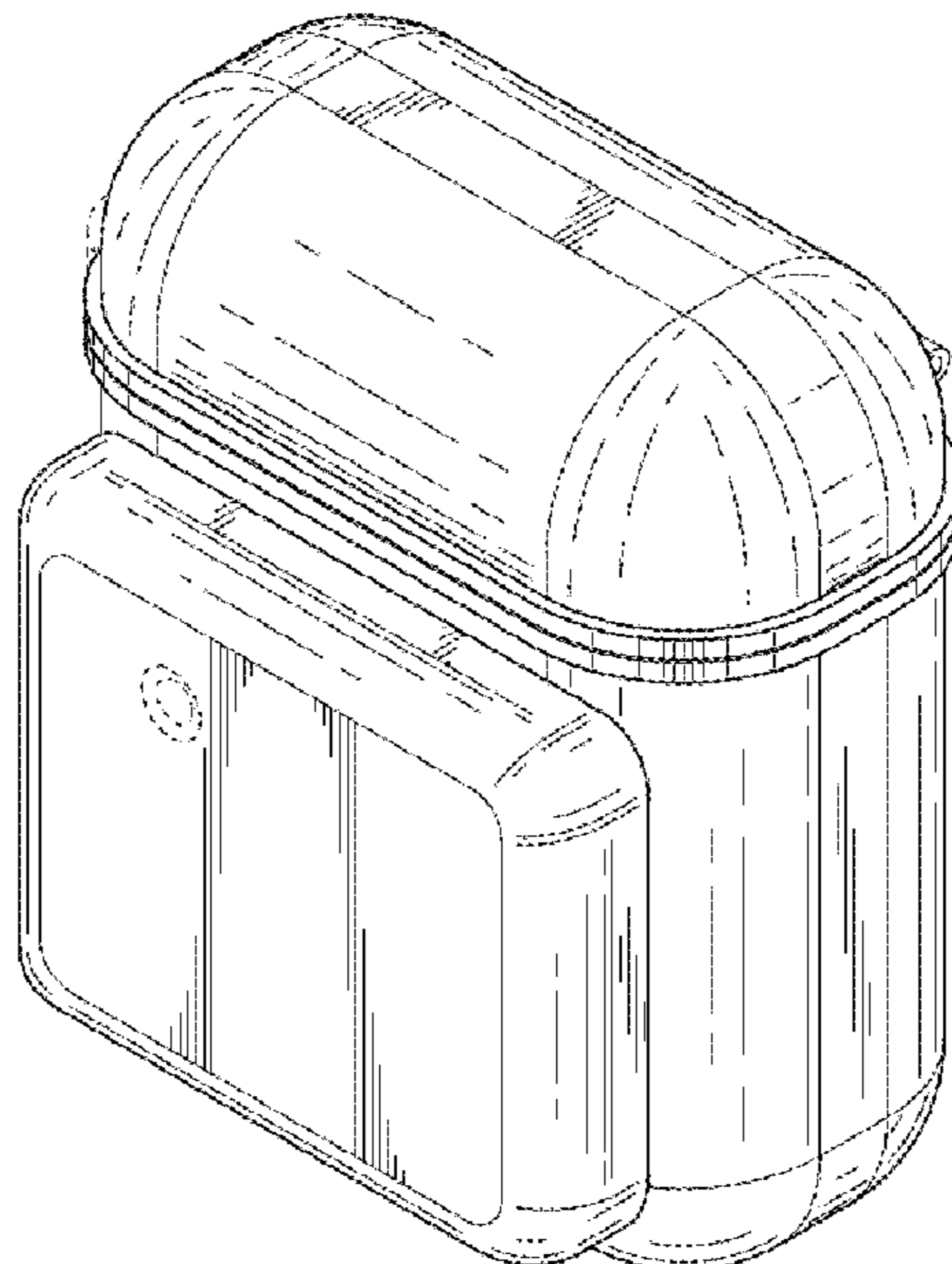


Figure 1

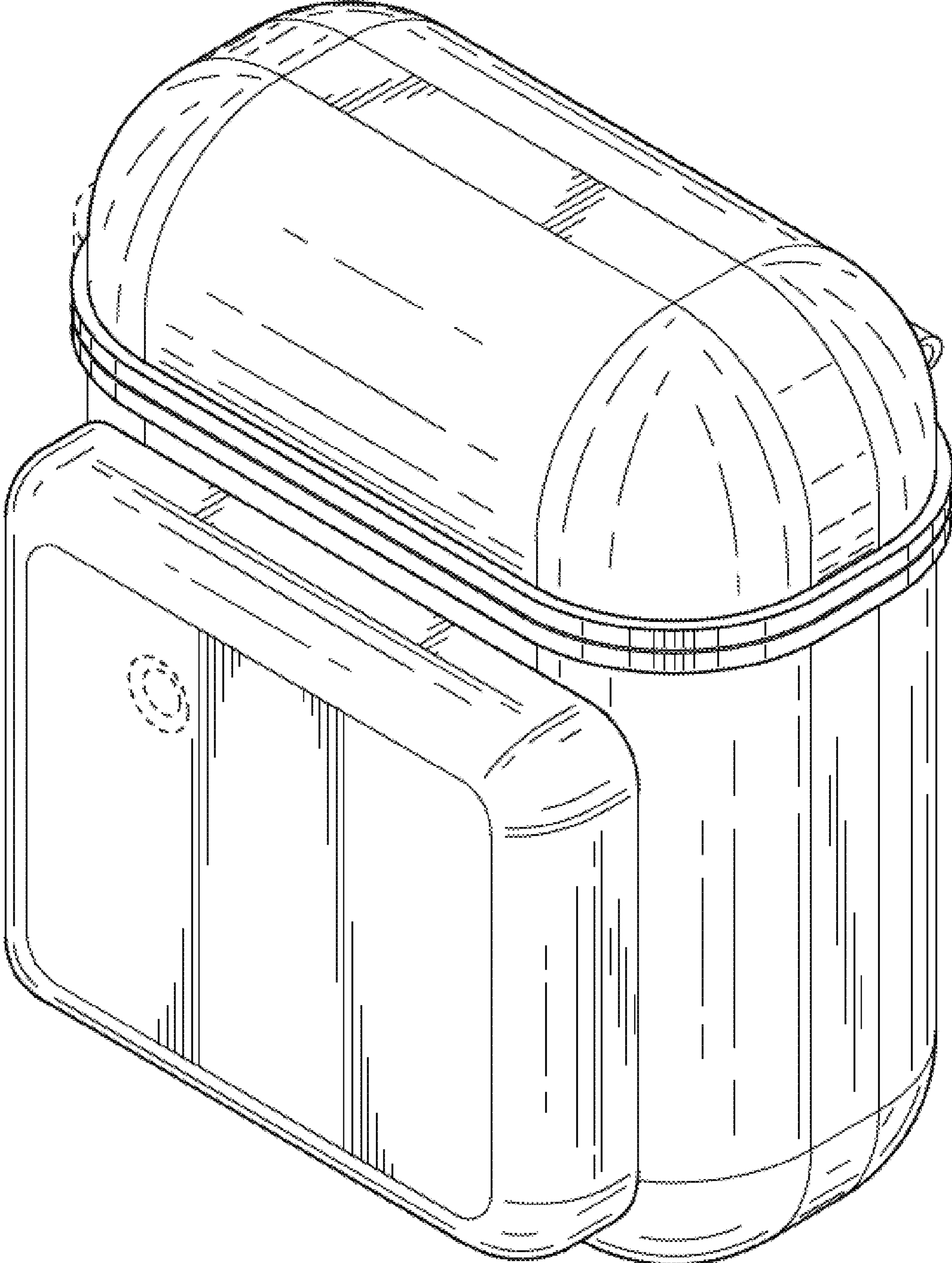


Figure 2

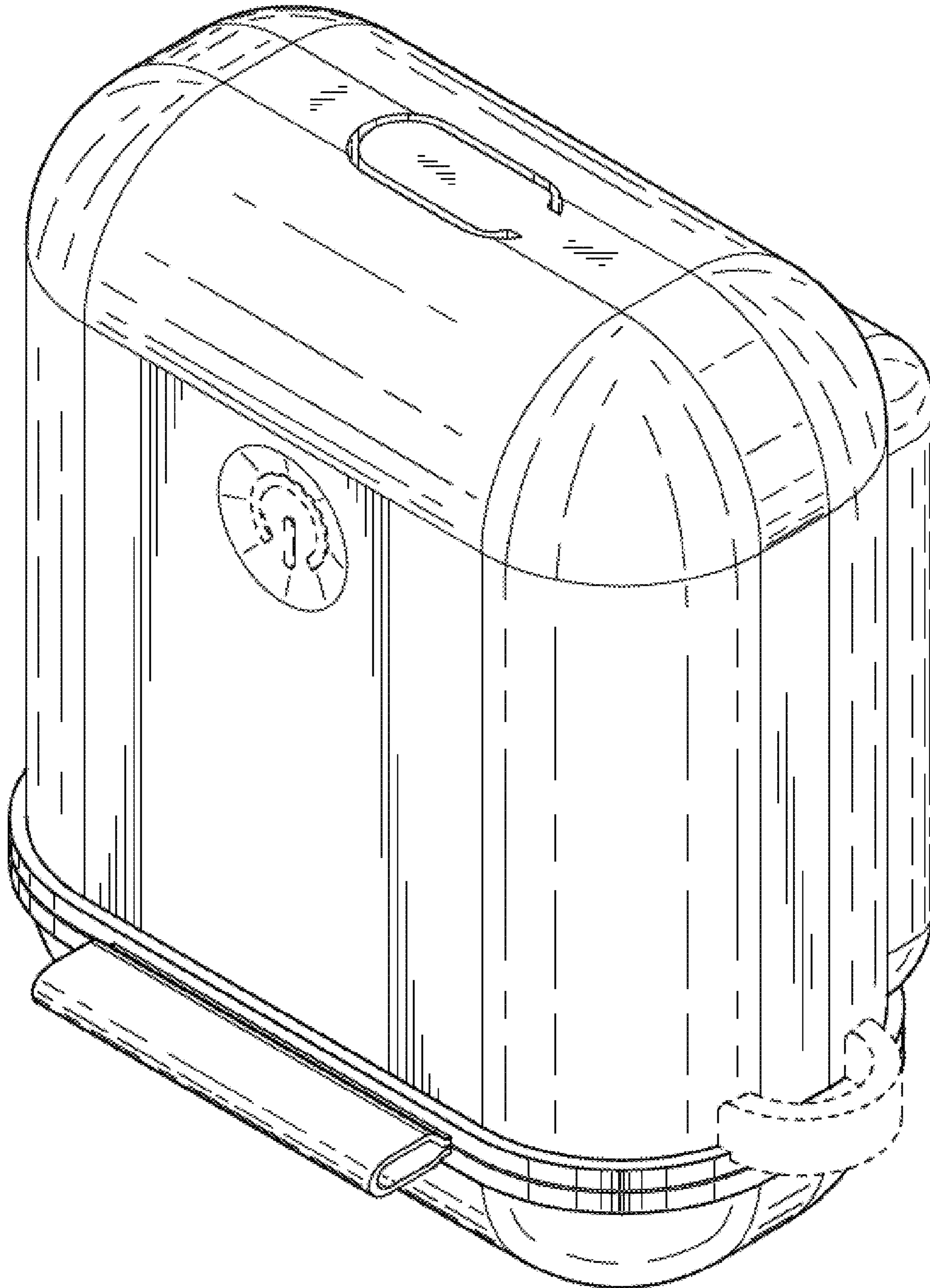


Figure 3

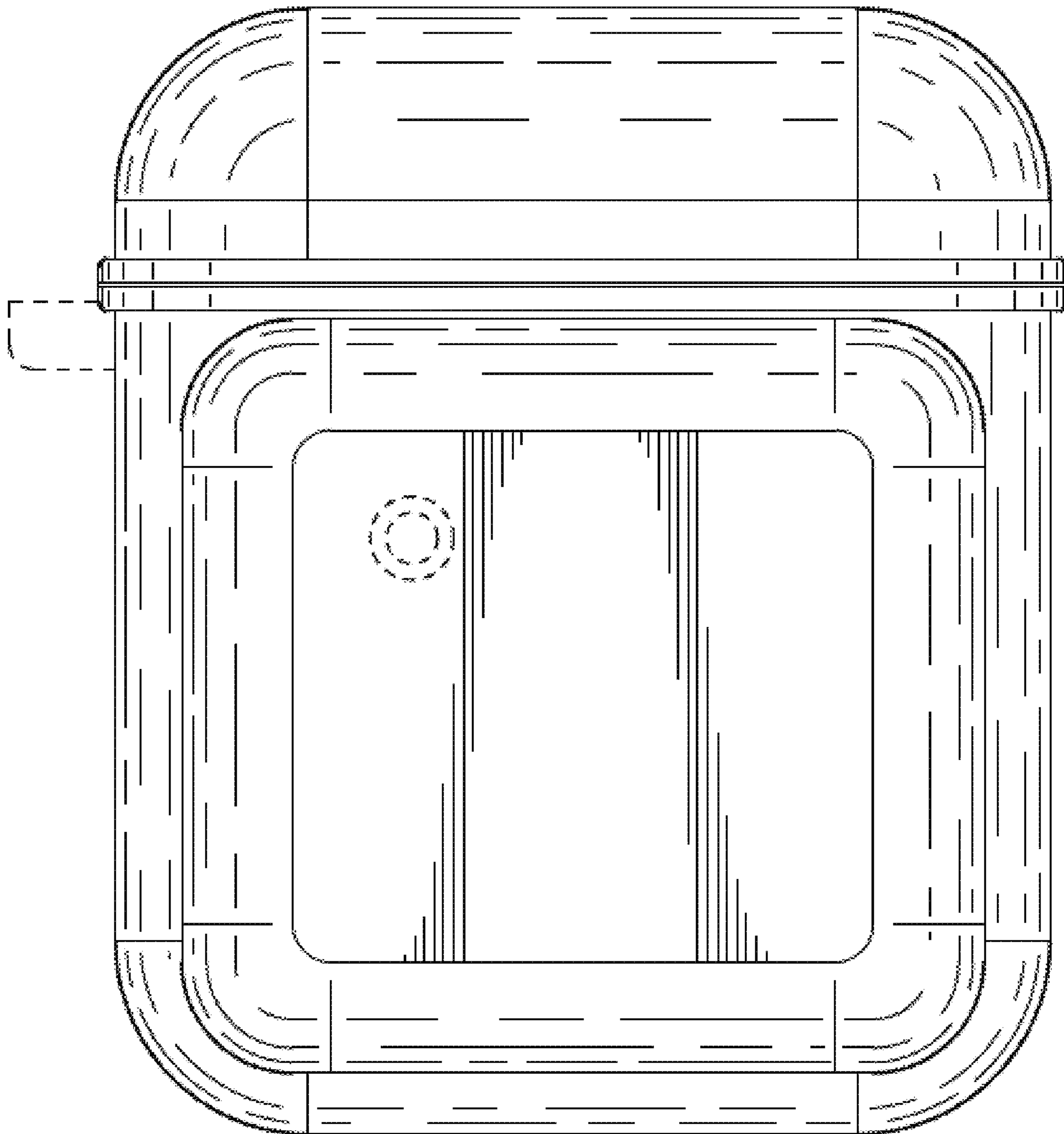


Figure 4

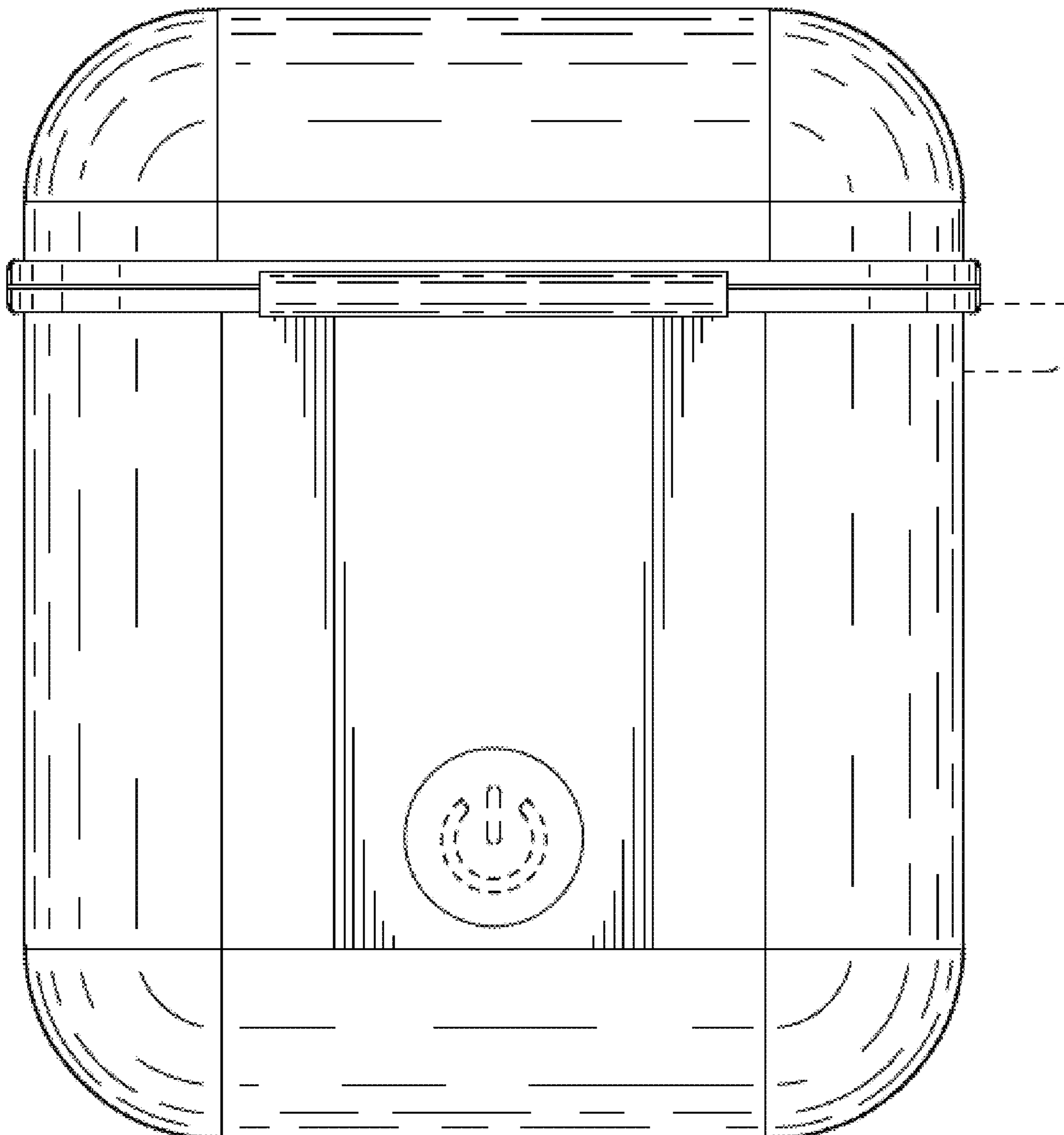


Figure 5

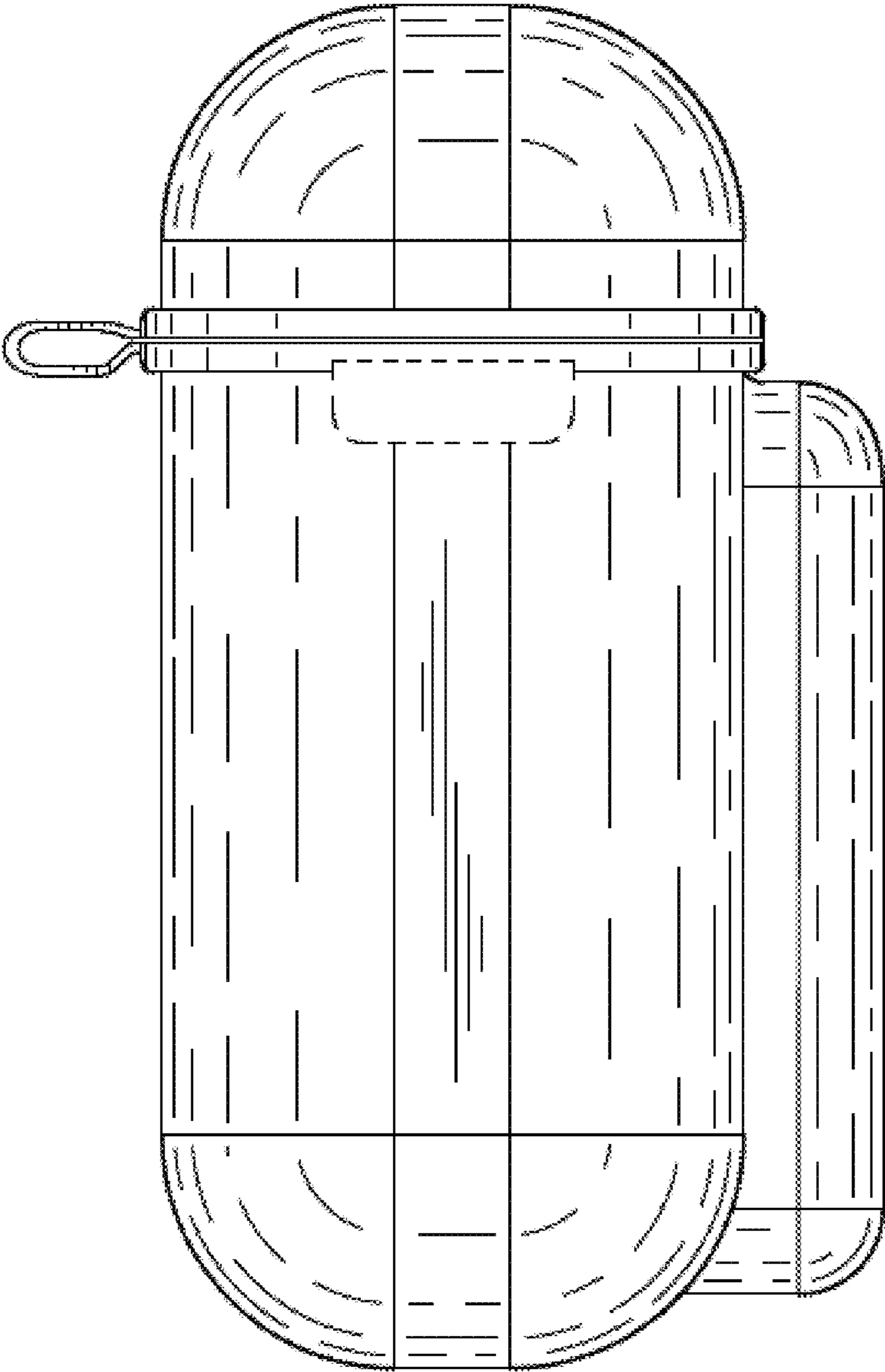


Figure 6

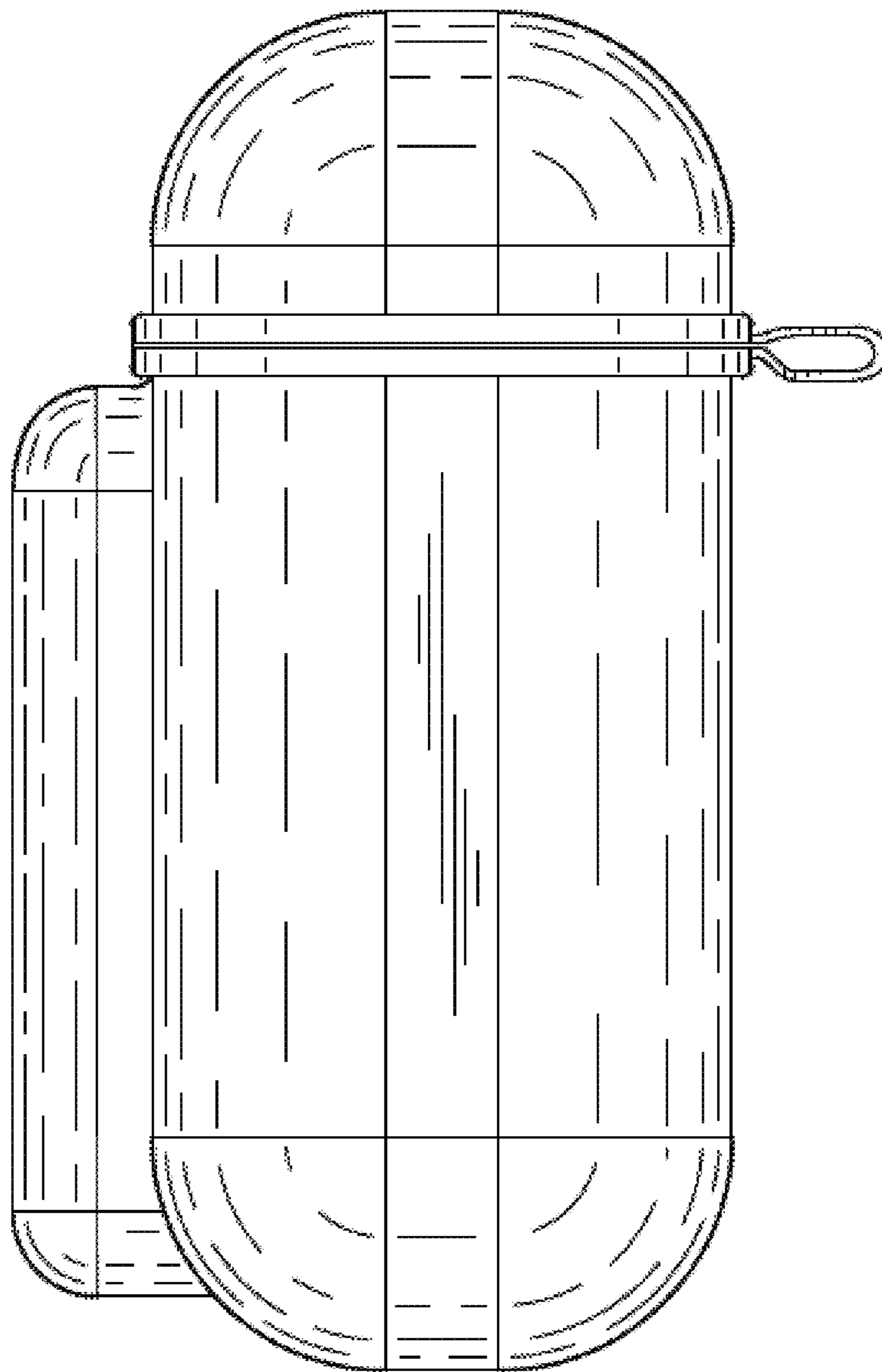


Figure 7

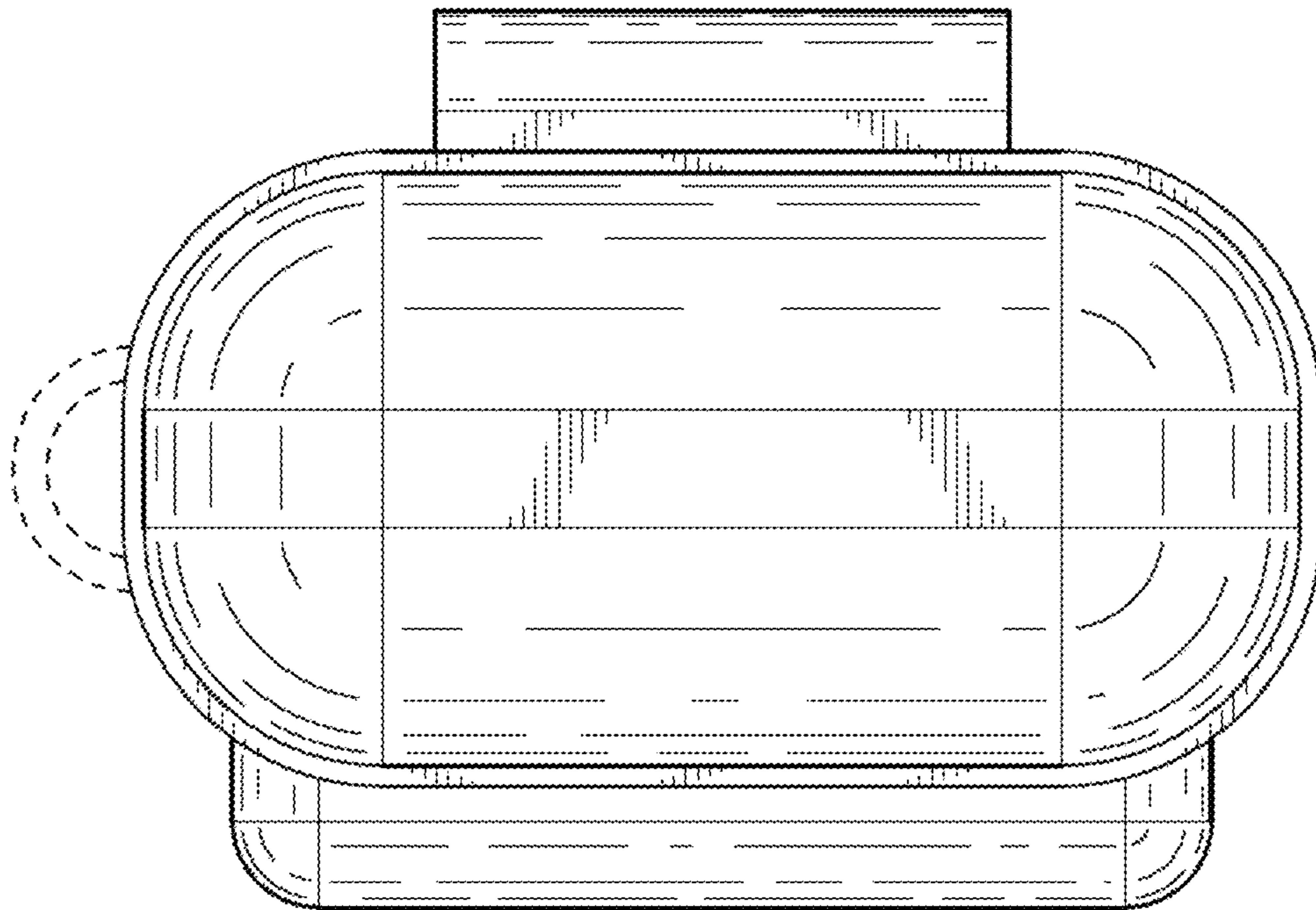


Figure 8

