



US00D913290S

(12) **United States Design Patent**
Mecchella

(10) **Patent No.:** **US D913,290 S**
(45) **Date of Patent:** **** Mar. 16, 2021**

(54) **DEVICE DOCK**

(71) Applicant: **Amazon Technologies, Inc.**, Seattle, WA (US)

(72) Inventor: **Monica Liane Mecchella**, San Francisco, CA (US)

(73) Assignee: **Amazon Technologies, Inc.**, Seattle, WA (US)

(**) Term: **15 Years**

(21) Appl. No.: **29/730,414**

(22) Filed: **Apr. 3, 2020**

Related U.S. Application Data

(62) Division of application No. 29/701,457, filed on Aug. 12, 2019, now Pat. No. Des. 881,892, which is a (Continued)

(51) **LOC (13) Cl.** **14-02**

(52) **U.S. Cl.**
USPC **D14/434; D14/447**

(58) **Field of Classification Search**
USPC D14/434, 432, 433, 440, 447, 251-253, D14/451, 452, 454, 140, 142, 149, 217, D14/240, 299, 496, 356, 357, 358, 209.1, D14/171; D13/103, 107, 108, 118, 119, D13/110, 123, 184; D21/333; D6/512, D6/672, 682

CPC G06F 1/1616; G06F 1/1626; G06F 1/1632; G06F 1/1688; G06F 13/00; H01M 10/44; F16M 11/10; F16M 11/20; H02J 7/0042; H02J 7/00; H02J 7/0027; H02J 7/0044; H02J 7/0045; H02J 7/355; H02J 7/025; H01R 31/065; H04R 1/025; H04R 5/04

See application file for complete search history.

(56) **References Cited**

U.S. PATENT DOCUMENTS

D400,851 S 11/1998 Culver
D512,066 S 11/2005 Solomon et al.

(Continued)

OTHER PUBLICATIONS

The Canadian Office Action dated Jun. 17, 2019 for Canadian Patent Application No. 183438, a counter part of U.S. Appl. No. 29/641,724, 1 pages.

(Continued)

Primary Examiner — Marie D. Fast Horse

(74) *Attorney, Agent, or Firm* — Lee & Hayes, P.C.

(57) **CLAIM**

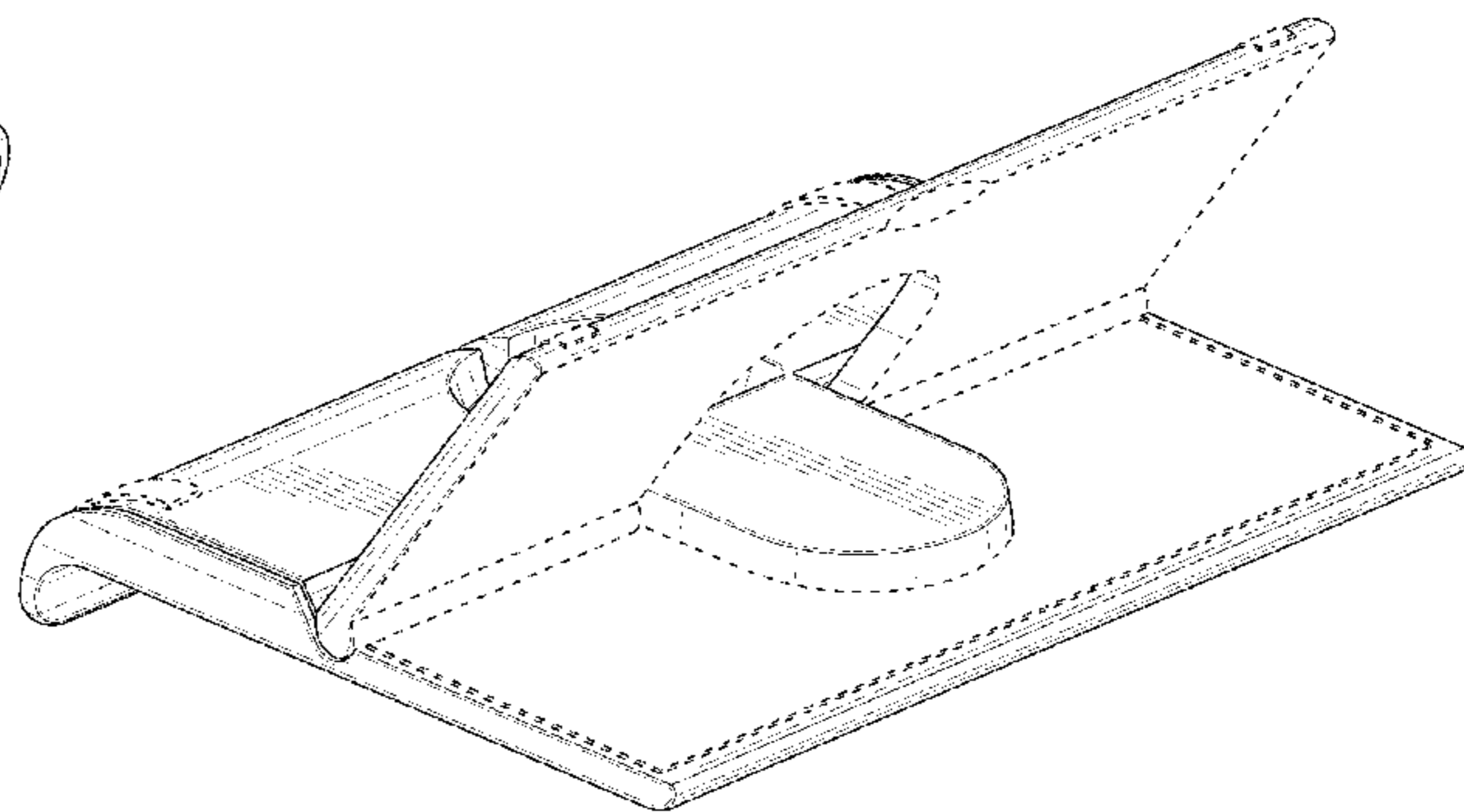
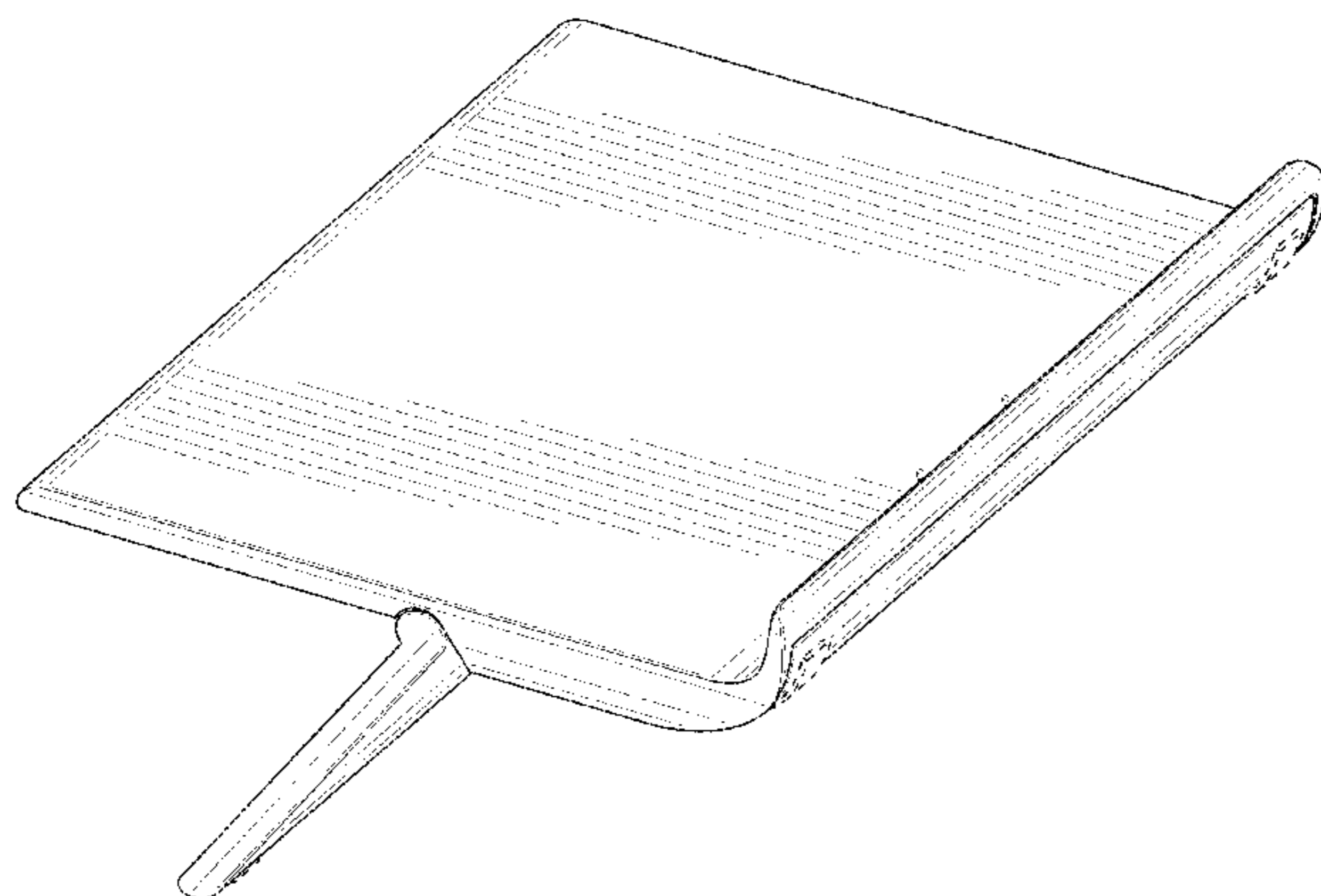
The ornamental design for a device dock, as shown and described.

DESCRIPTION

FIG. 1 is a front perspective view of a first embodiment of a device dock in a partially opened position; FIG. 2 is a back perspective view thereof; FIG. 3 is a front view thereof; FIG. 4 is a back view thereof; FIG. 5 is a right-side view thereof; FIG. 6 is a left-side view thereof; FIG. 7 is a top view thereof; FIG. 8 is a bottom view thereof; FIG. 9 is a front perspective view of a second embodiment of a device dock in a fully opened position; FIG. 10 is a back perspective view thereof; FIG. 11 is a front view thereof; FIG. 12 is a back view thereof; FIG. 13 is a right-side view thereof; FIG. 14 is a left-side view thereof; FIG. 15 is a top view thereof; and, FIG. 16 is a bottom view thereof.

The broken lines depict portions of the device dock that form no part of the claimed design.

1 Claim, 16 Drawing Sheets



Related U.S. Application Data

division of application No. 29/641,724, filed on Mar. 23, 2018, now Pat. No. Des. 857,019.

(56)

References Cited

U.S. PATENT DOCUMENTS

D516,562 S 3/2006 Solomon et al.
 D558,165 S * 12/2007 Leichter D14/130
 D559,229 S 1/2008 Griffin et al.
 7,349,206 B2 3/2008 Lin et al.
 D607,813 S 1/2010 Zhu et al.
 D637,583 S 5/2011 Beal et al.
 D639,286 S 6/2011 Mohoney
 D639,810 S 6/2011 Hwang et al.
 D643,030 S 8/2011 Cheng et al.
 D648,727 S 11/2011 Van Den Nieuwenhuizen et al.
 D652,834 S 1/2012 Jones et al.
 D665,812 S 8/2012 Huang et al.
 D667,012 S 9/2012 Chen et al.
 D673,961 S 1/2013 Matsui et al.
 D674,337 S 1/2013 Au Yeung
 D682,550 S 5/2013 Chun
 D683,348 S * 5/2013 Xiang D14/447
 D690,647 S 10/2013 Huang et al.
 D697,477 S 1/2014 Jonas, III
 D703,133 S 4/2014 Ireland et al.
 D703,213 S 4/2014 Gifford et al.
 D714,793 S 10/2014 Kim et al.
 D715,804 S 10/2014 Frenzel
 D727,915 S 4/2015 Mecchella et al.
 D728,579 S 5/2015 Mecchella et al.
 D741,846 S 10/2015 Jeon et al.
 D742,888 S 11/2015 Mecchella et al.
 D742,890 S 11/2015 Mecchella et al.
 D743,955 S 11/2015 Wu
 D749,508 S 2/2016 Ireland et al.
 D755,292 S 5/2016 Sirotych et al.

D756,365 S 5/2016 Huang et al.
 D769,880 S 10/2016 Moore et al.
 D776,121 S 1/2017 Mecchella et al.
 D783,598 S 4/2017 Bai et al.
 D783,599 S 4/2017 Bai et al.
 D787,441 S 5/2017 Lee et al.
 D797,109 S 9/2017 Pisapia
 D810,088 S 2/2018 Moore et al.
 D810,091 S 2/2018 Cho et al.
 D810,750 S 2/2018 Chang et al.
 D828,360 S 9/2018 Moore et al.
 D828,842 S 9/2018 Mecchella et al.
 D832,268 S 10/2018 Mecchella et al.
 10,114,416 B1 10/2018 D'Penha et al.
 D832,851 S 11/2018 Mecchella et al.
 D833,446 S 11/2018 Elder
 D836,720 S 12/2018 Kang
 D839,275 S 1/2019 Moore et al.
 D847,140 S 4/2019 Chapuis et al.
 D848,438 S 5/2019 Mecchella et al.
 D850,458 S 6/2019 Moore
 D854,546 S 7/2019 Mecchella
 D857,019 S 8/2019 Mecchella
 D863,219 S 10/2019 Chen
 D881,892 S * 4/2020 Mecchella D14/434
 D892,123 S * 8/2020 Campbell D14/434
 2005/0206615 A1 9/2005 Tanimoto et al.
 2006/0250767 A1 11/2006 Brophy et al.
 2018/0252003 A1 9/2018 Klinkman et al.

OTHER PUBLICATIONS

The Indian Office Action dated Oct. 3, 2018, for Indian Patent Application No. 310096, a counterpart foreign patent application of the U.S. Appl. No. 29/641,724, 2 pages.
 The Korean Office Action dated Feb. 14, 2019 for Korean Patent Application No. 30-2018-44227, a counterpart of U.S. Appl. No. 29/641,724, 2 pages.

* cited by examiner

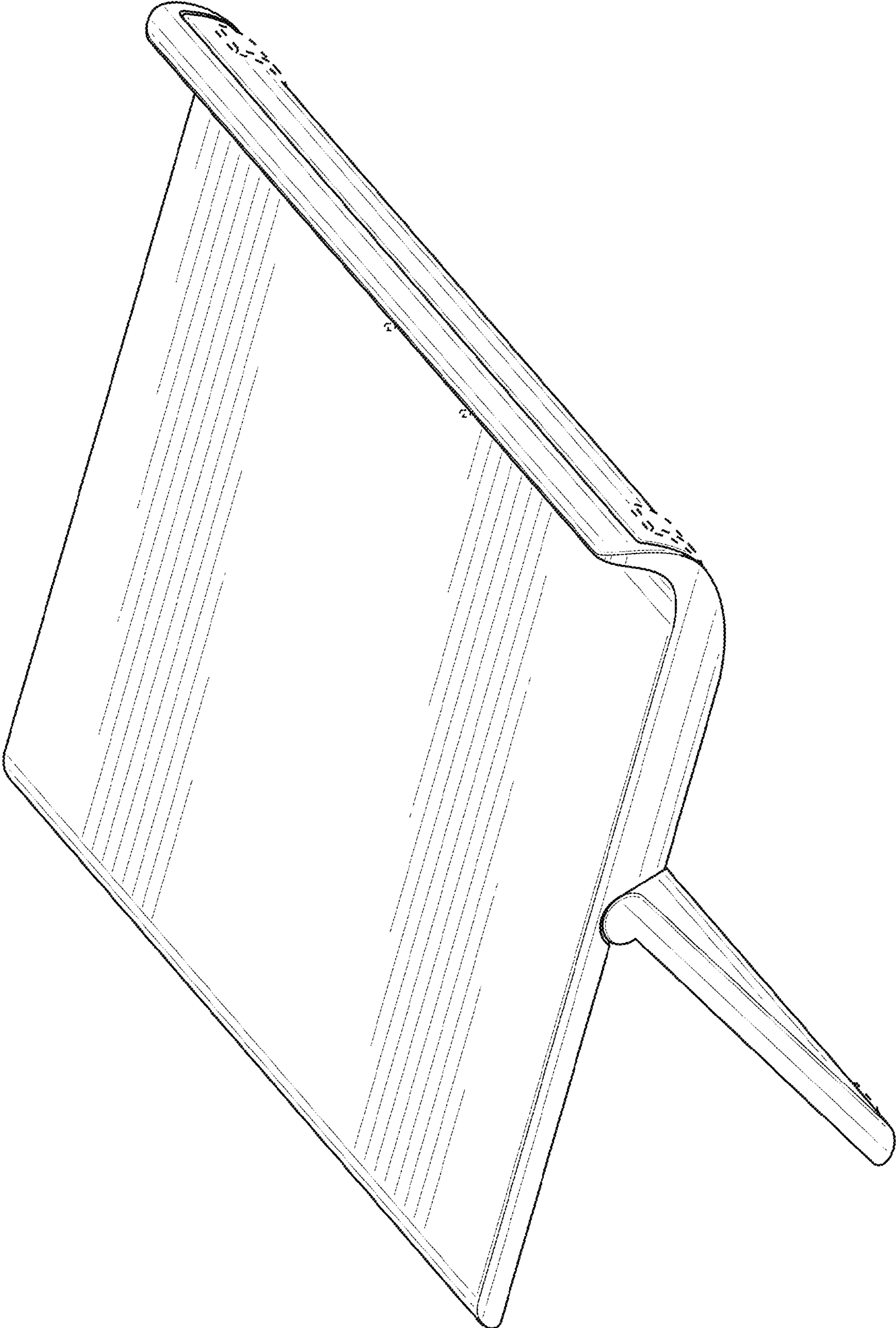


FIG. 1

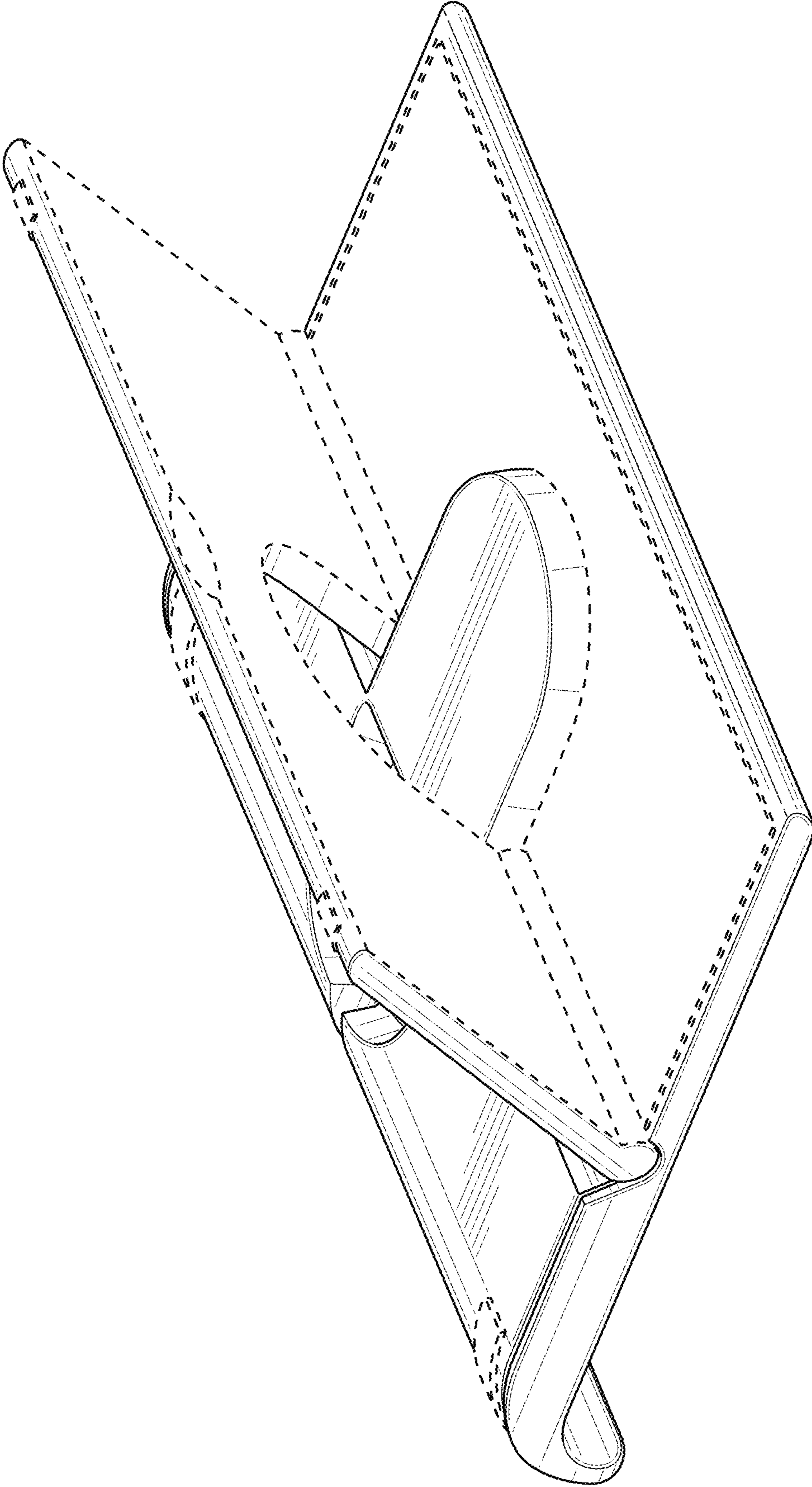


FIG. 2

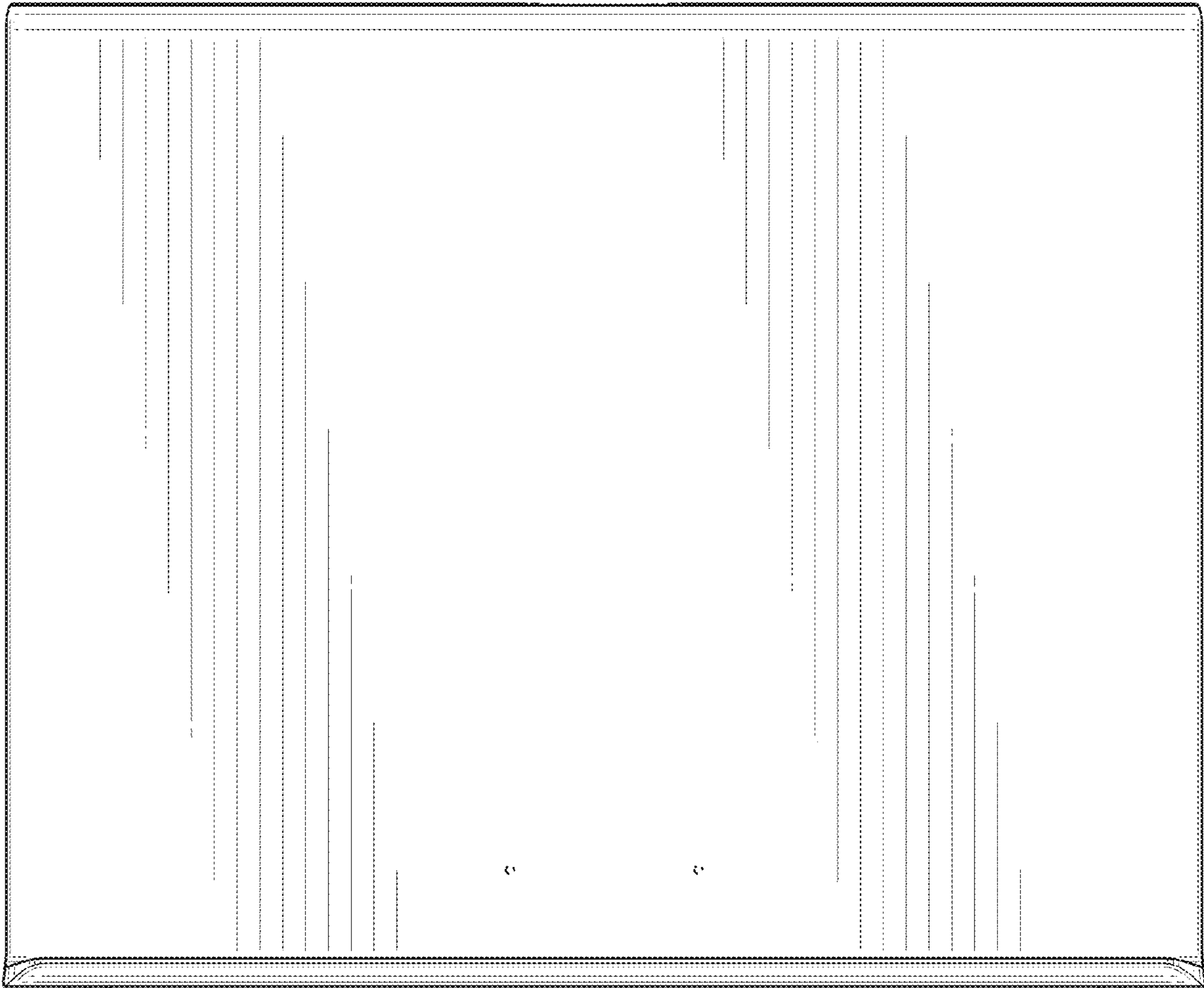


FIG. 3

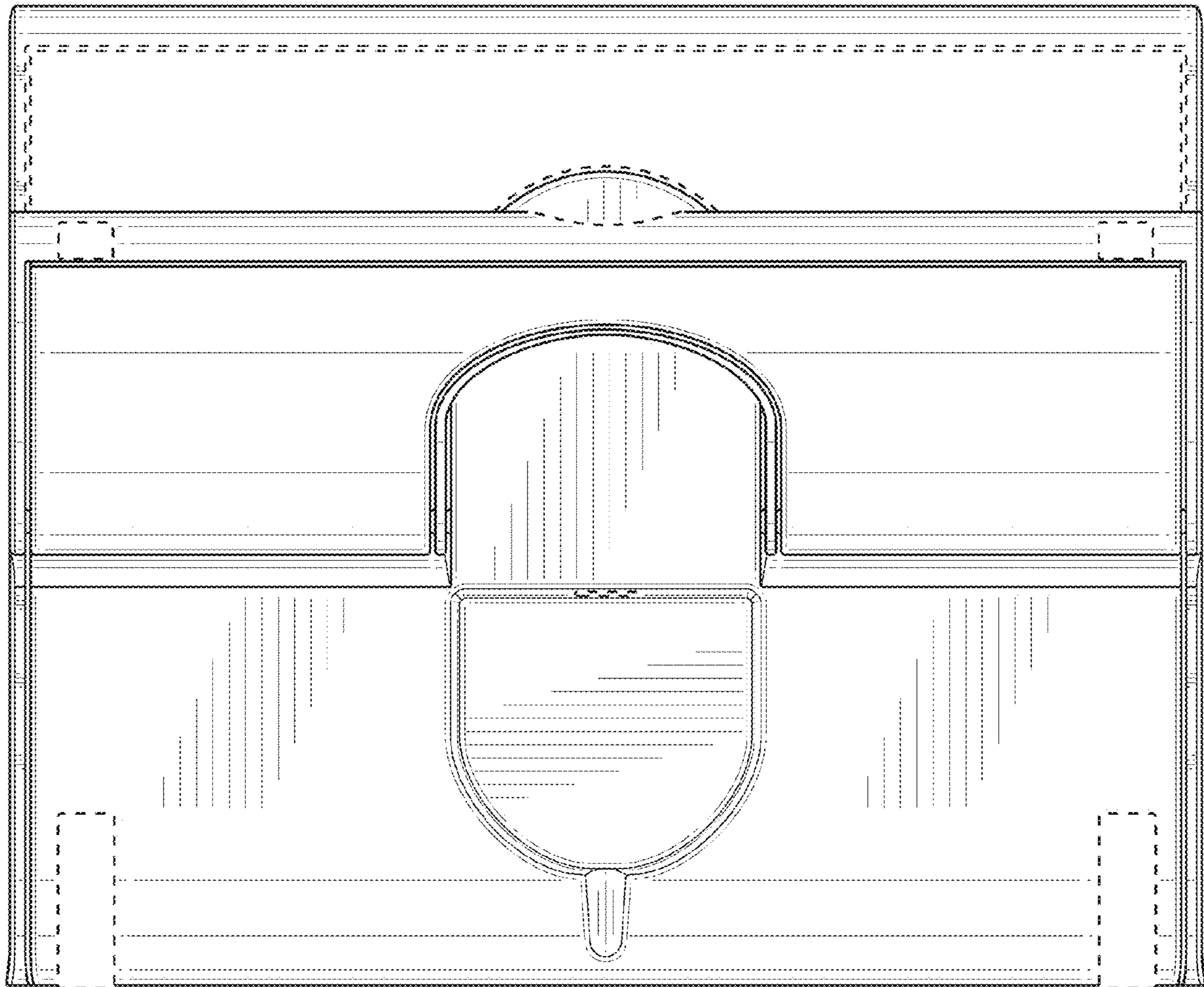


FIG. 4

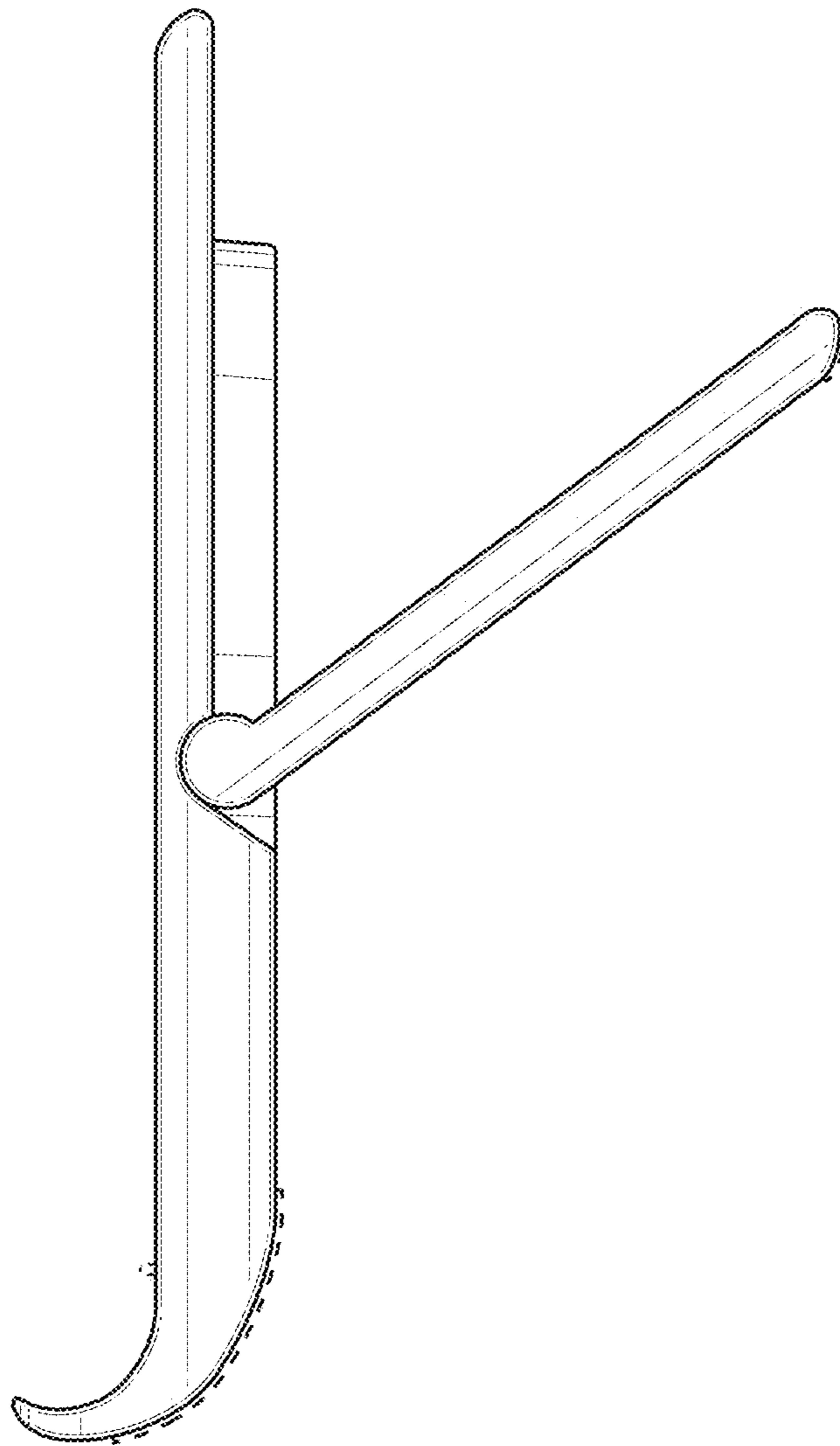


FIG. 5

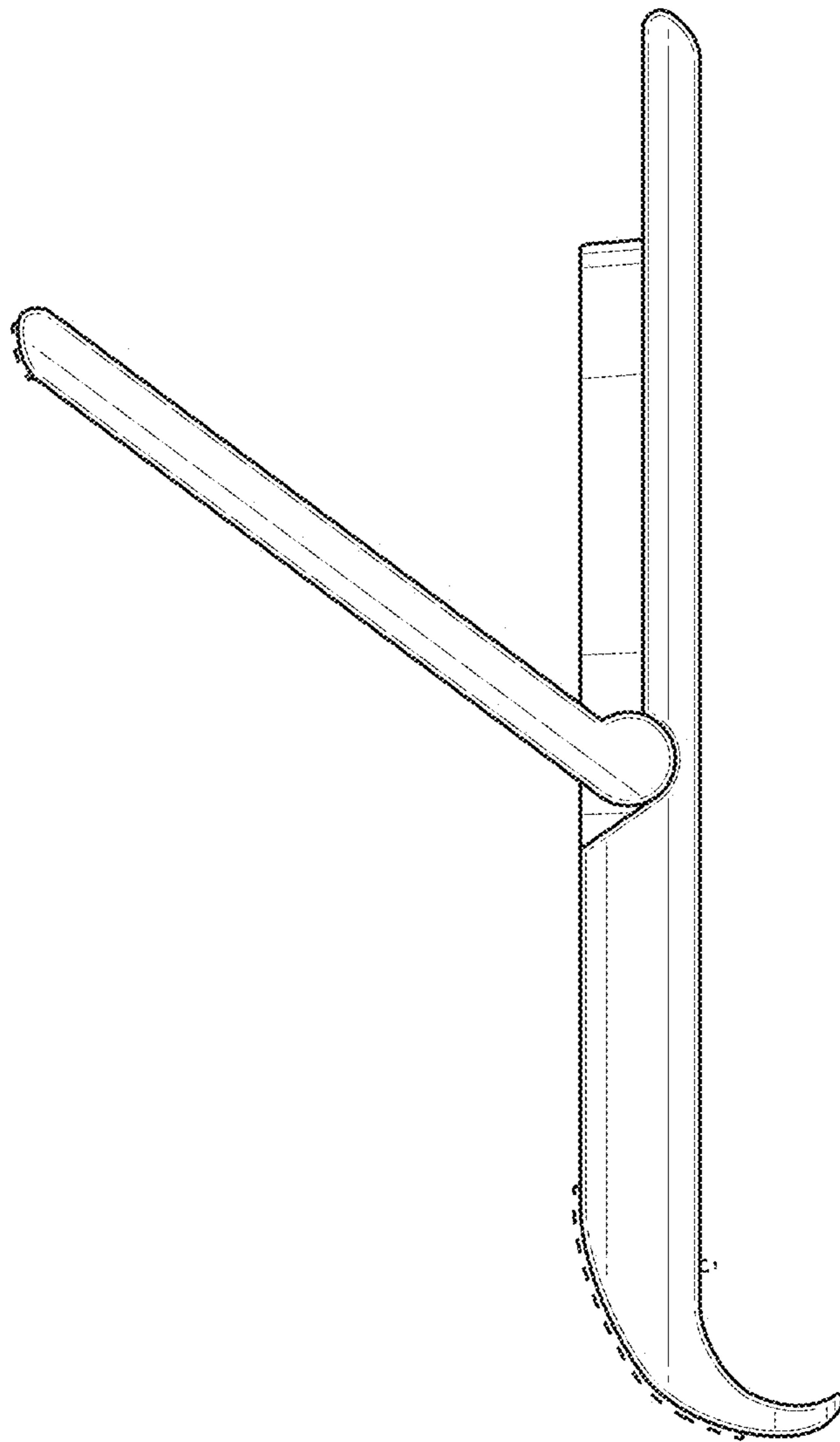


FIG. 6

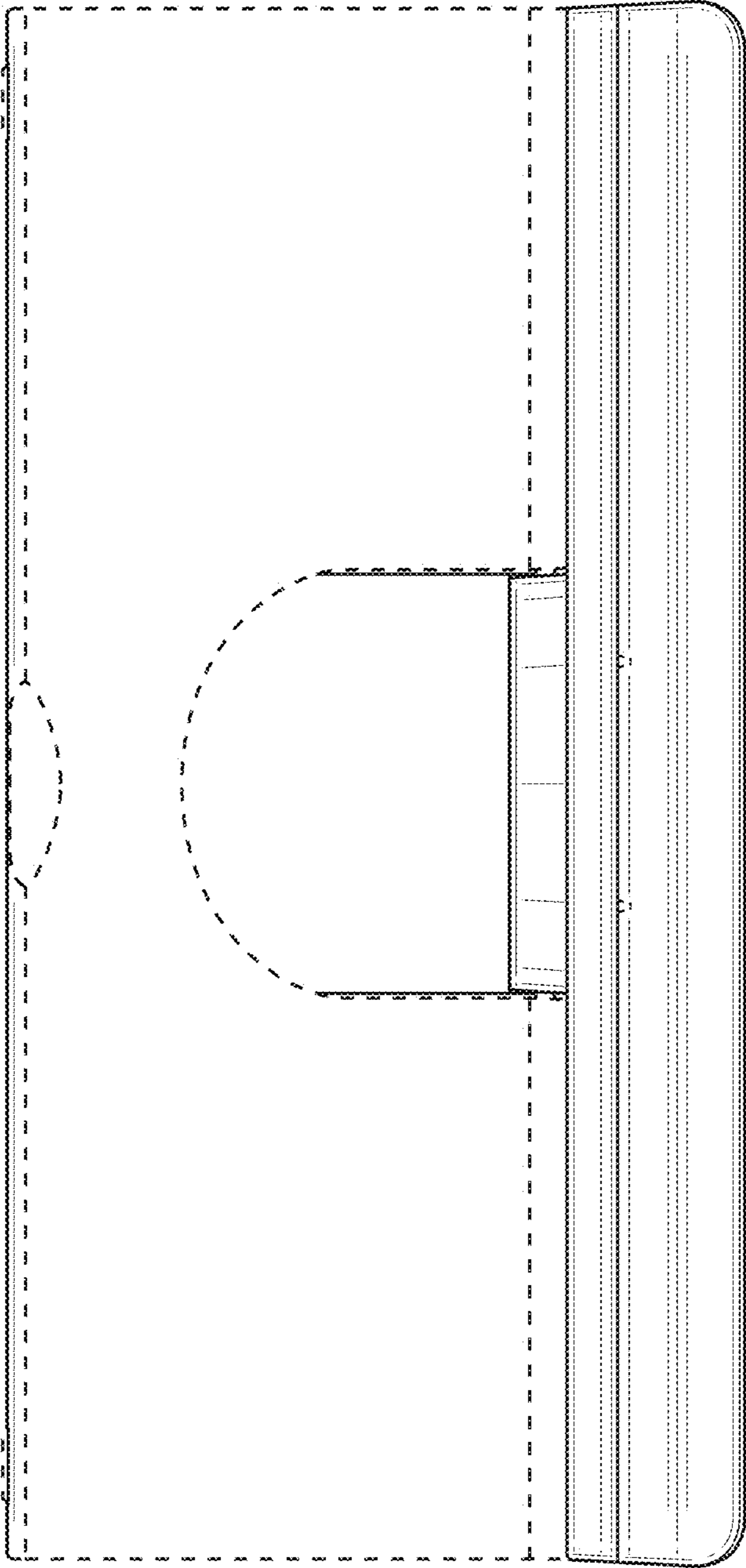


FIG. 7

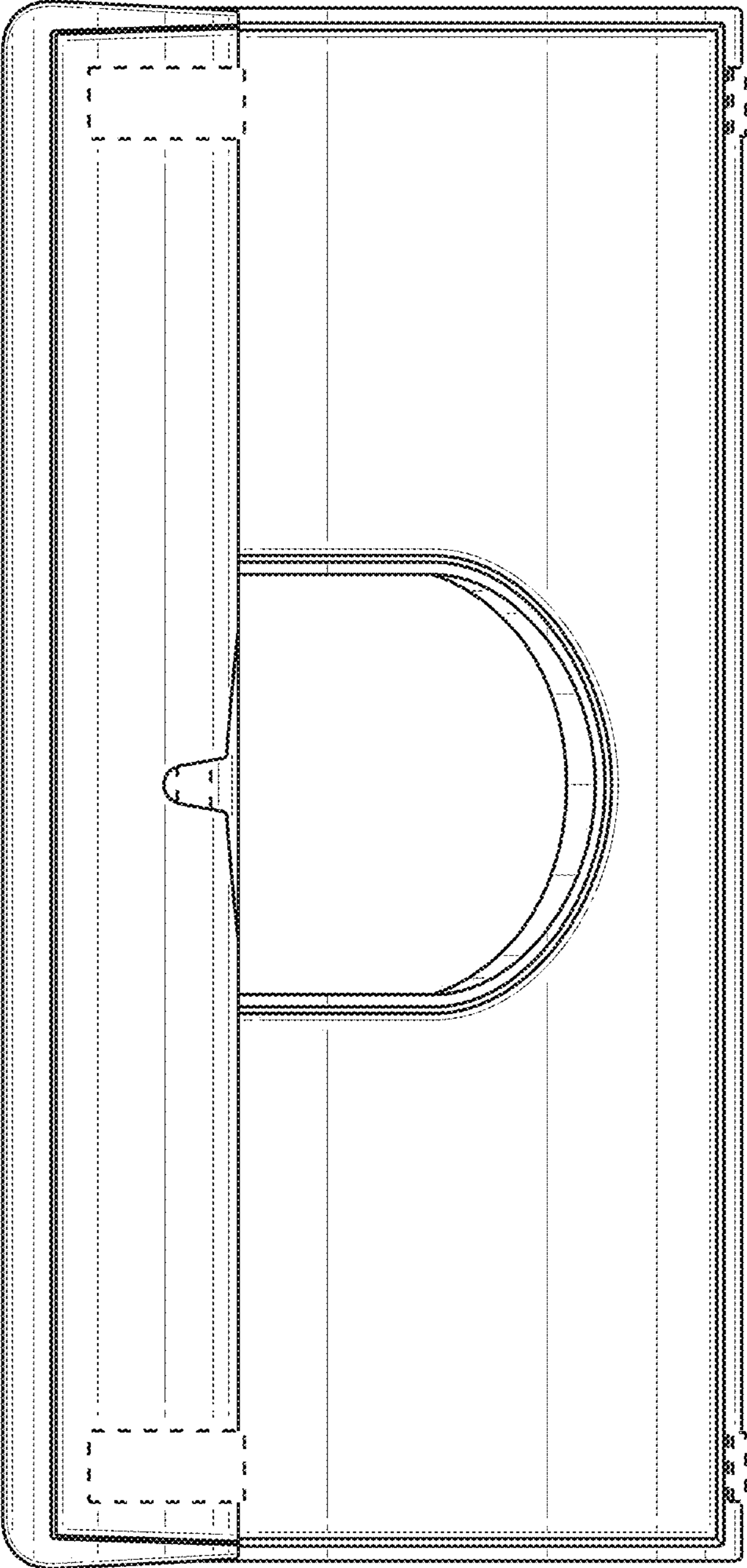


FIG. 8

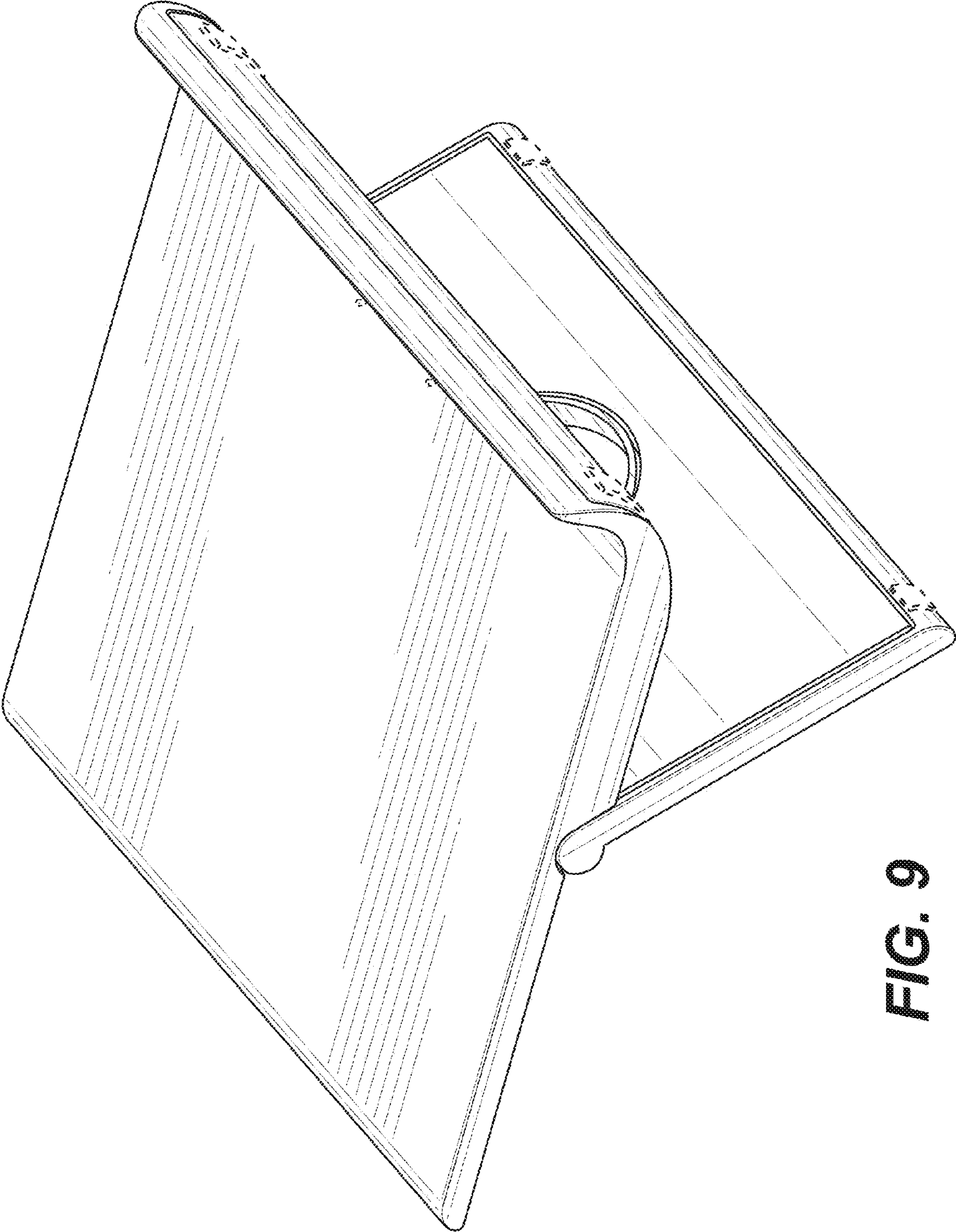


FIG. 9

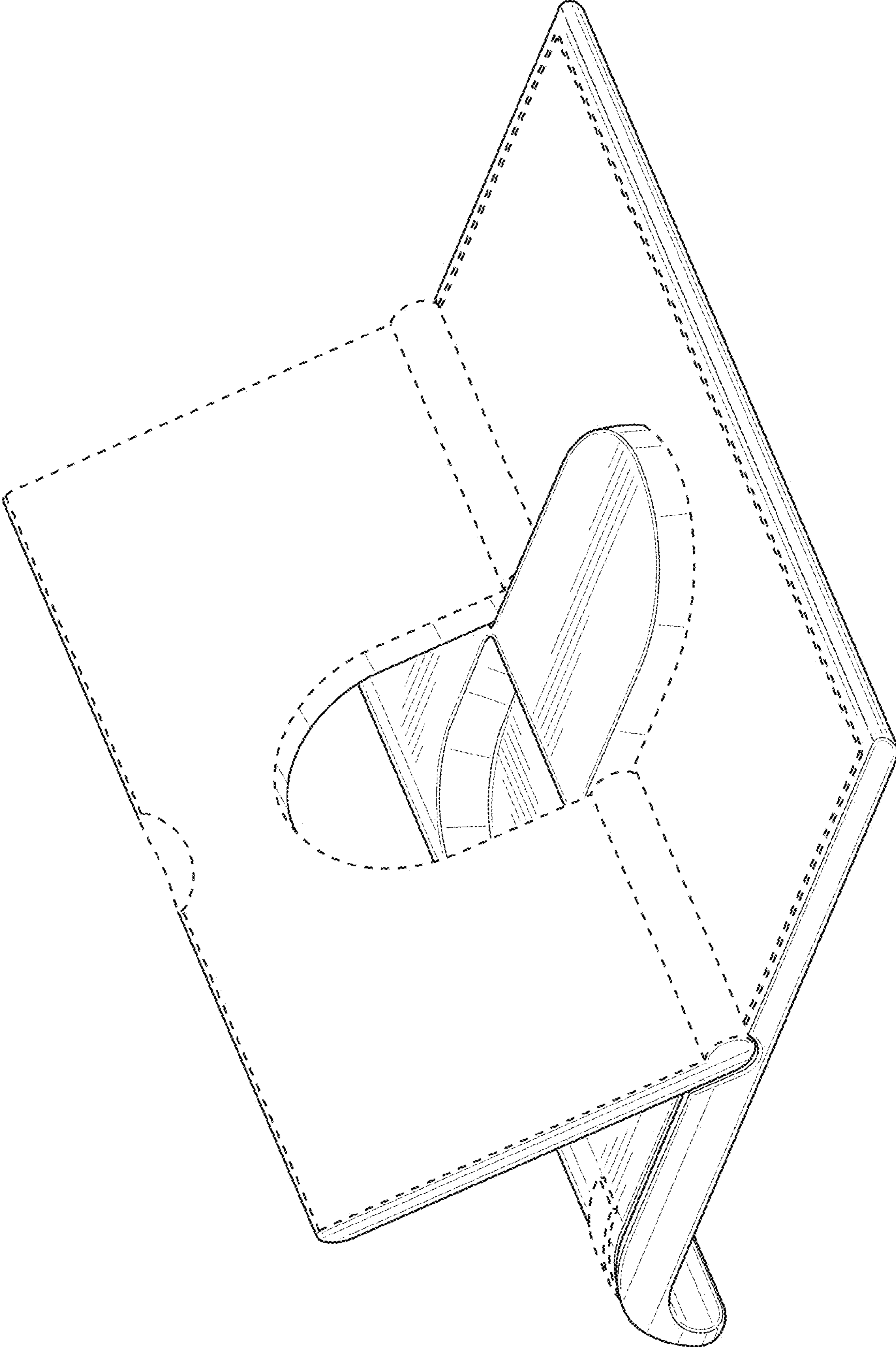


FIG. 10

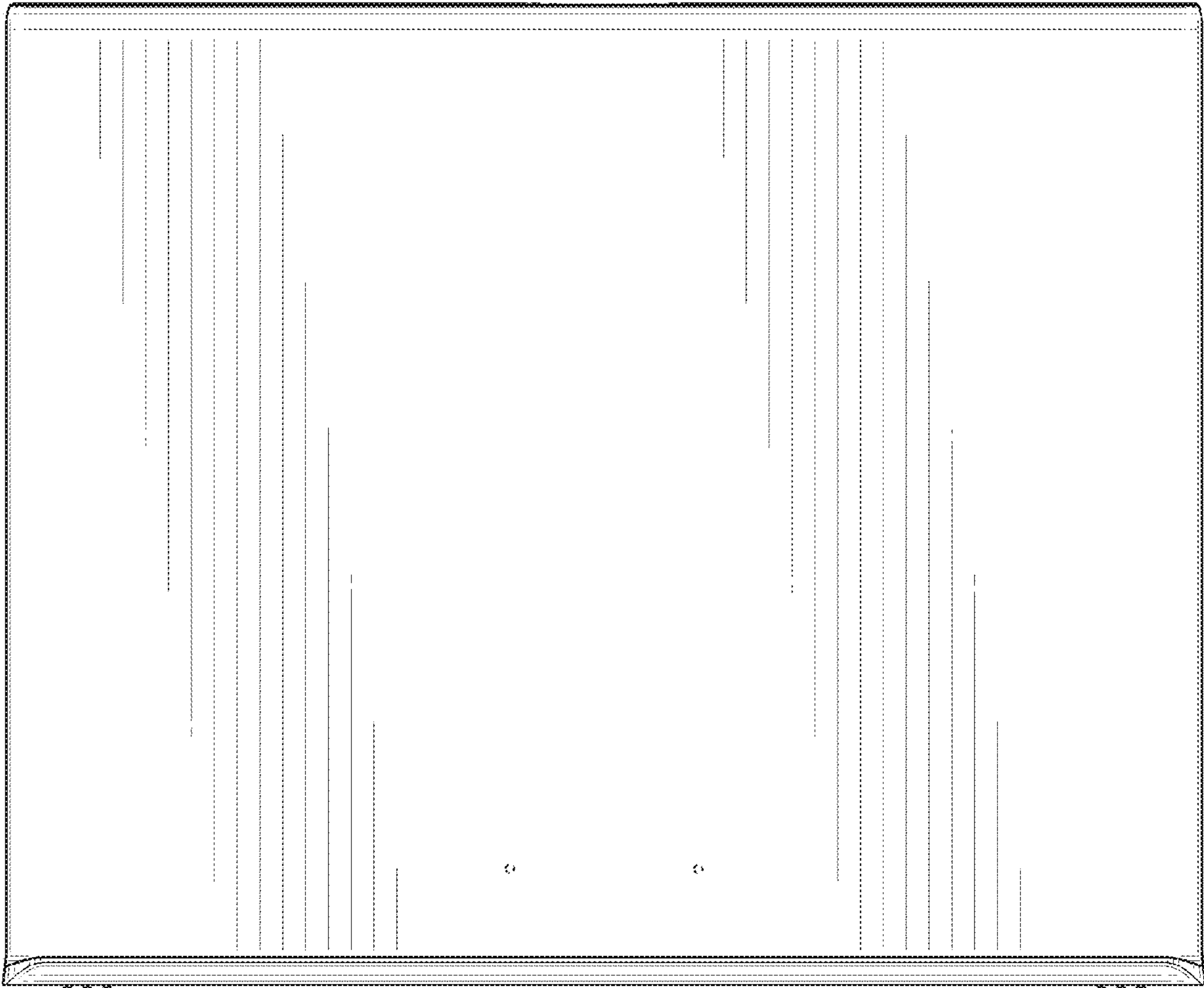


FIG. 11

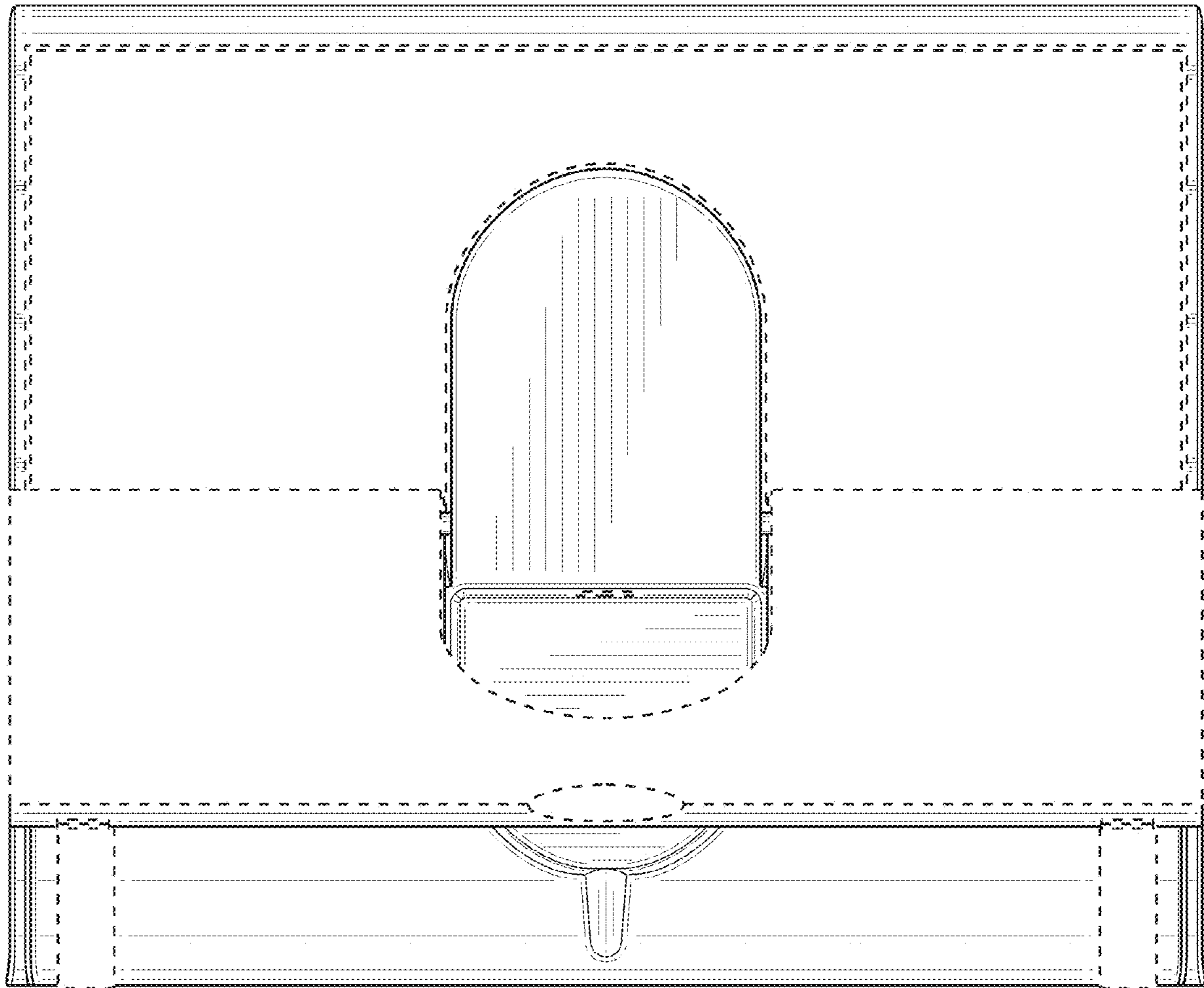


FIG. 12

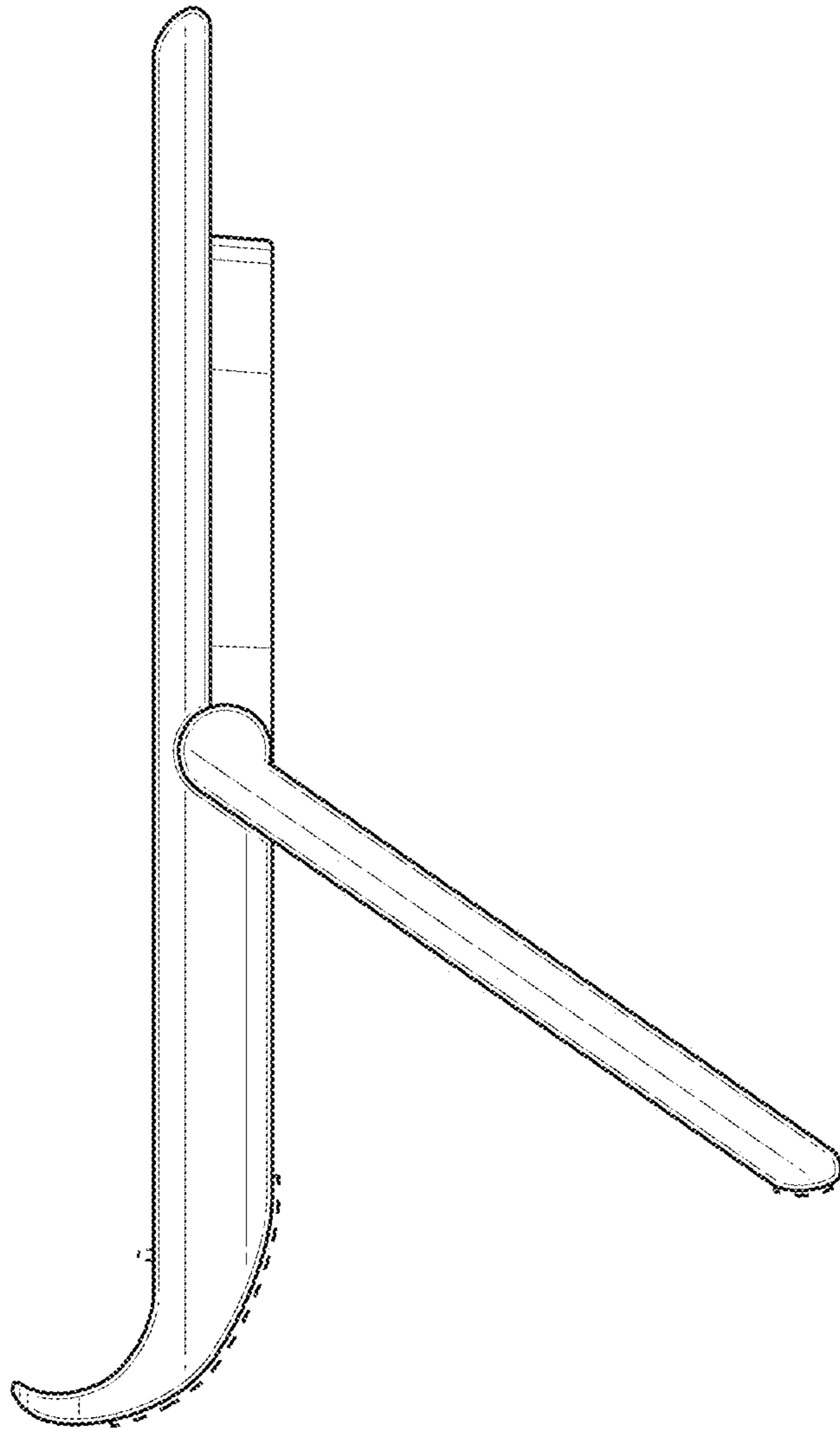


FIG. 13

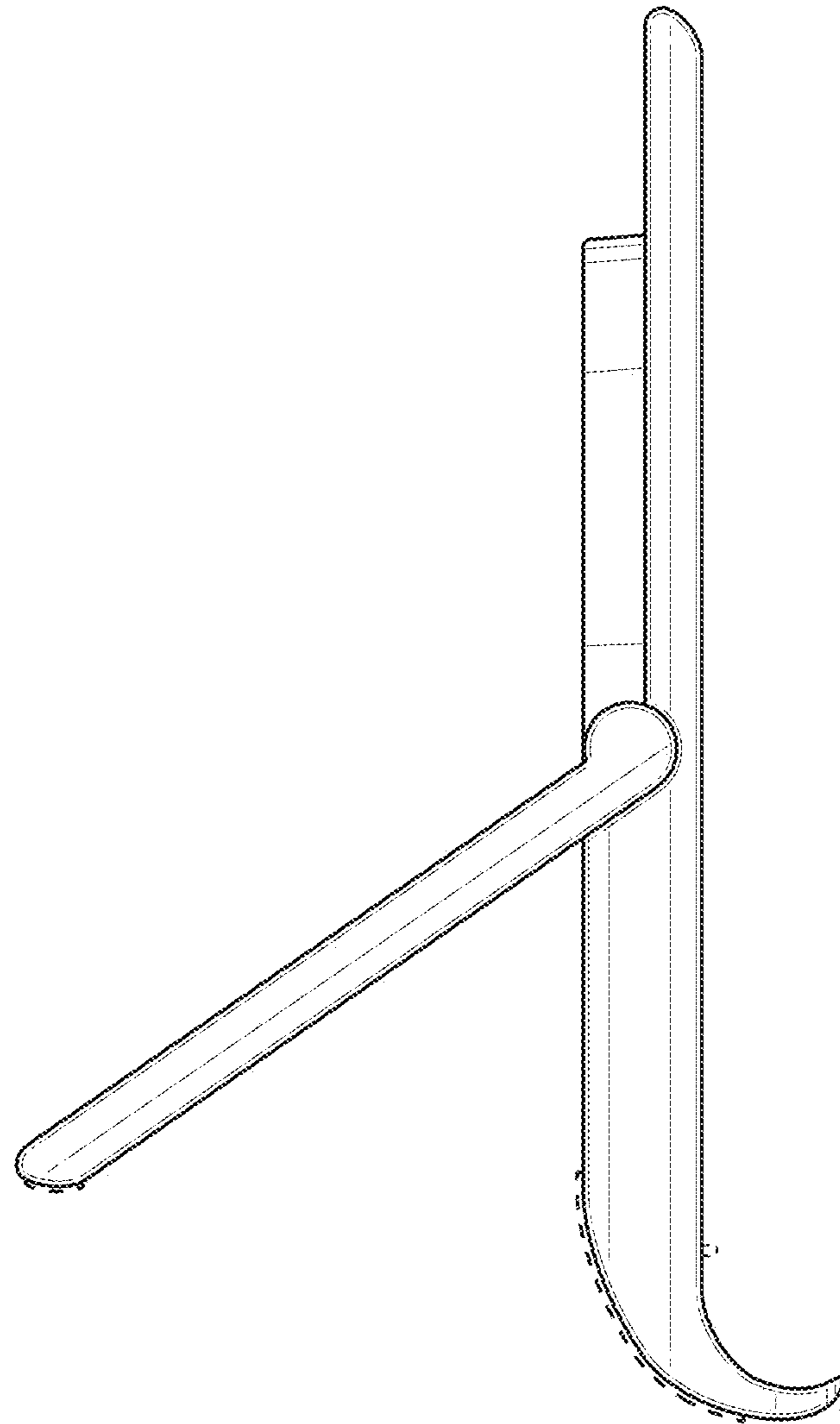


FIG. 14

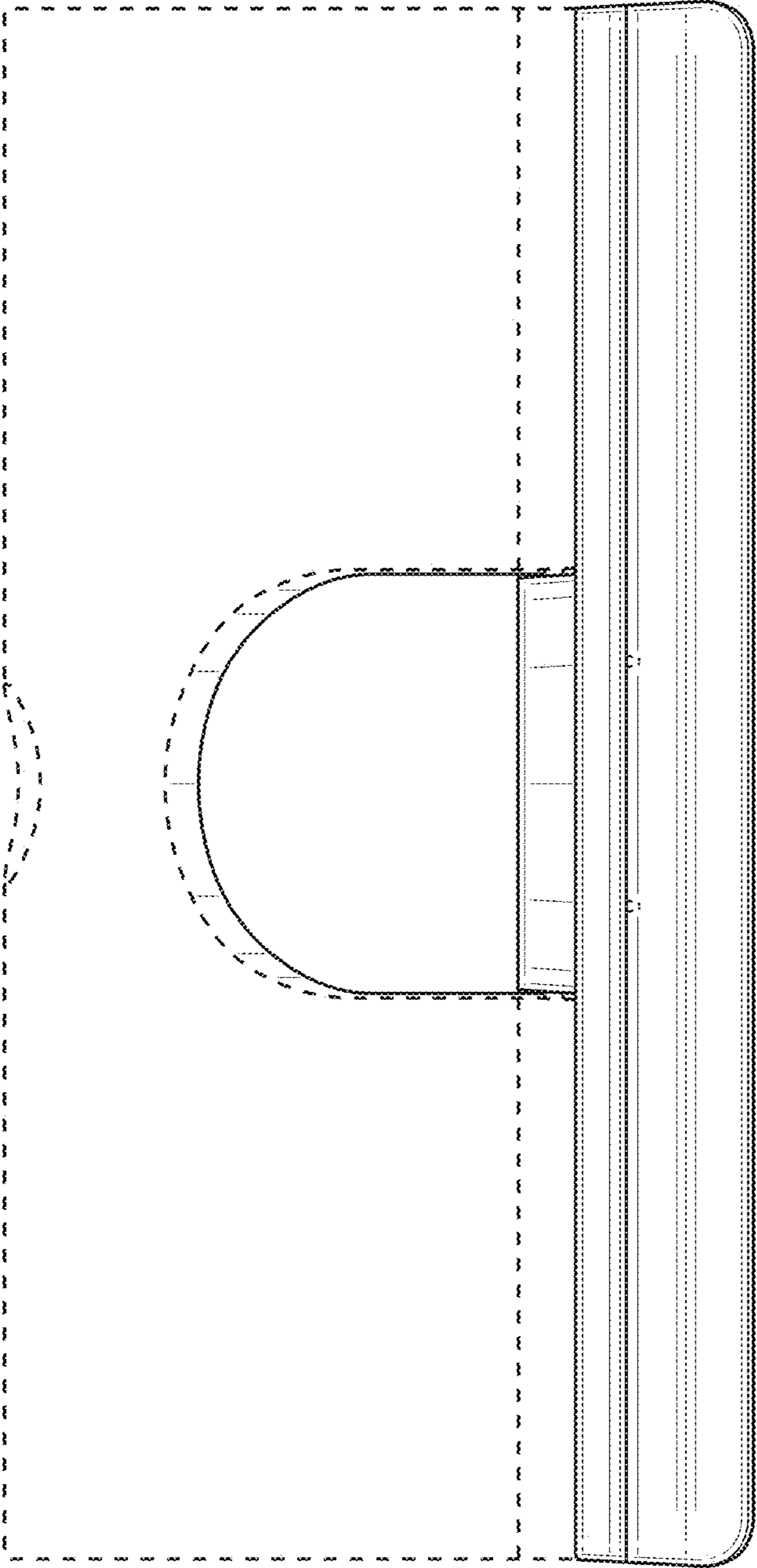


FIG. 15

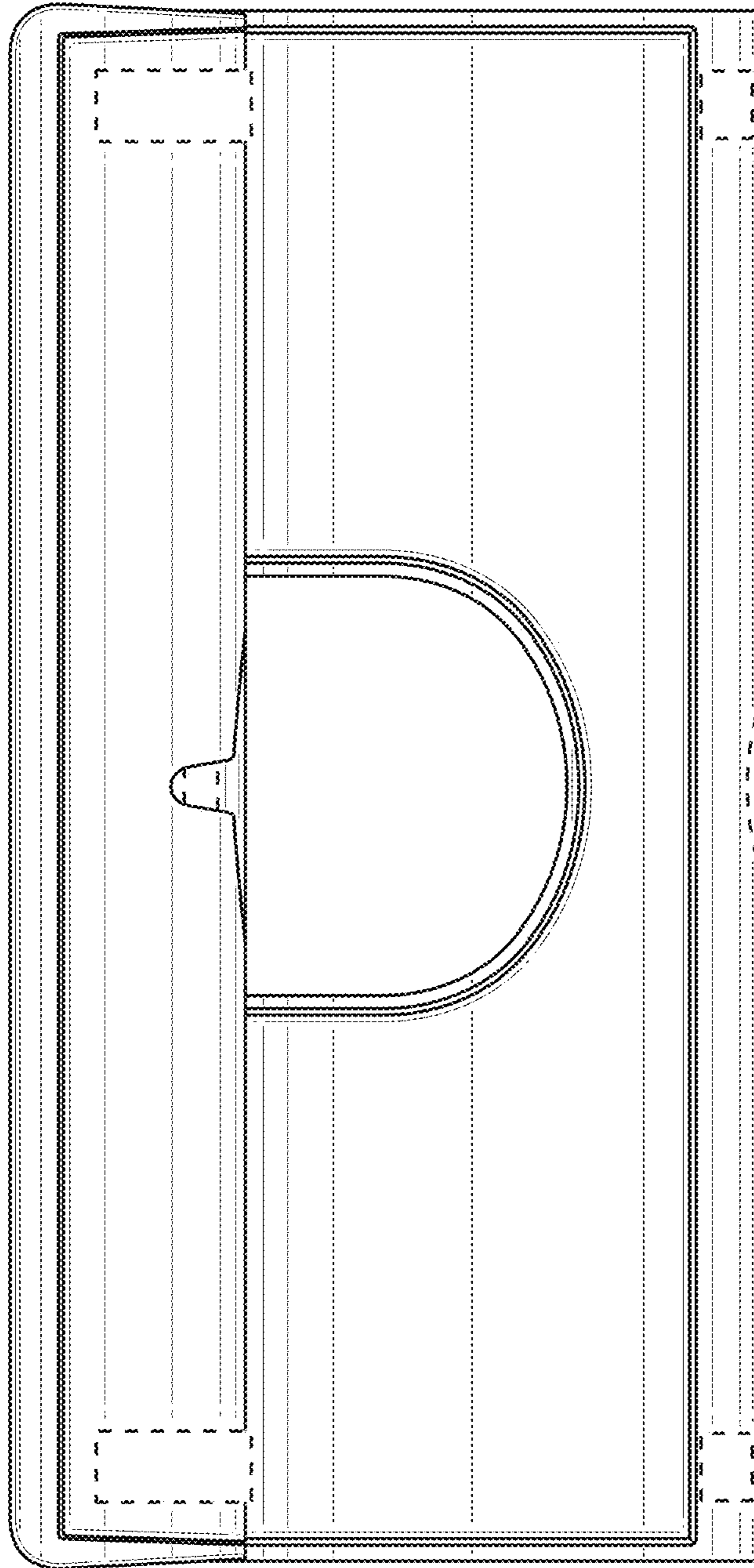


FIG. 16