



US00D913287S

(12) **United States Design Patent**
Tanaka

(10) **Patent No.:** **US D913,287 S**
(45) **Date of Patent:** **** Mar. 16, 2021**

(54) **SCANNER**

(71) Applicant: **BROTHER INDUSTRIES, LTD.**,
Nagoya (JP)

(72) Inventor: **Hikomitsu Tanaka**, Nagoya (JP)

(73) Assignee: **BROTHER INDUSTRIES, LTD.**,
Nagoya (JP)

(**) Term: **15 Years**

(21) Appl. No.: **29/698,751**

(22) Filed: **Jul. 19, 2019**

(30) **Foreign Application Priority Data**

Feb. 28, 2019 (JP) 2019-004115

(51) **LOC (13) Cl.** **14-02**

(52) **U.S. Cl.**
USPC **D14/422**

(58) **Field of Classification Search**
USPC D14/421-425; D18/40, 36-39, 41,
D18/44-56; 235/462, 455, 470, 462.43,
235/482, 483; 358/474, 486, 488, 496,
358/498, 452, 449, 451, 453.1, 1.13, 1.16;
318/685, 696; 355/81, 75; 399/405, 367,
399/379, 380; 382/217; 715/209, 222,
715/226, 274; 400/613, 613.1-613.4,
400/690.1-690.4, 691-694; 271/264,
271/127, 131, 117, 118, 162

CPC H04N 1/00; H04N 1/12; H04N 1/00013;
H04N 1/00015; H04N 1/00018; H04N
1/00026; H04N 1/00557; H04N 1/00564;
H04N 1/00567; H04N 1/0057; H04N
1/00572; H04N 1/00586; H04N 1/00588;
H04N 1/00591; H04N 1/00594; H04N
1/00596; H04N 1/00604; H04N 1/00519;
H04N 1/00559; H04N 1/1013; H04N
1/10; H04N 1/00551; H04N 1/00278;
H04N 2201/0081; H04N 2201/0456;
H04N 2201/0446; H04N 2201/00; H04N
2201/0094; H04N 1/00525; H04N

1/0049; H04N 1/00493; H04N 1/00496;
H04N 1/00527; H04N 1/0053; H04N
1/00533; H04N 1/00535; H04N 1/00538;
H04N 1/00541; H04N 1/00543; H04N
1/00037; H04N 1/00092; H04N 1/00702;
H04N 1/02815; H04N 1/4076; H04N
1/40056; H04N 1/02845; G03G 15/0142;
G03G 15/605; G03G 15/602; B65H 5/26;
B65H 5/30; B65H 7/00; B65H 2402/515;
B65H 2402/31; B65H 2511/20; B65H
2511/414; B65H 2511/00194; B65H
2511/00198;

(Continued)

(56) **References Cited**

U.S. PATENT DOCUMENTS

D186,474 S * 10/1959 Robbins D18/39
D231,539 S * 4/1974 MacConkey D14/462

(Continued)

Primary Examiner — Susan Moon Lee

(74) *Attorney, Agent, or Firm* — Oliff PLC

(57) **CLAIM**

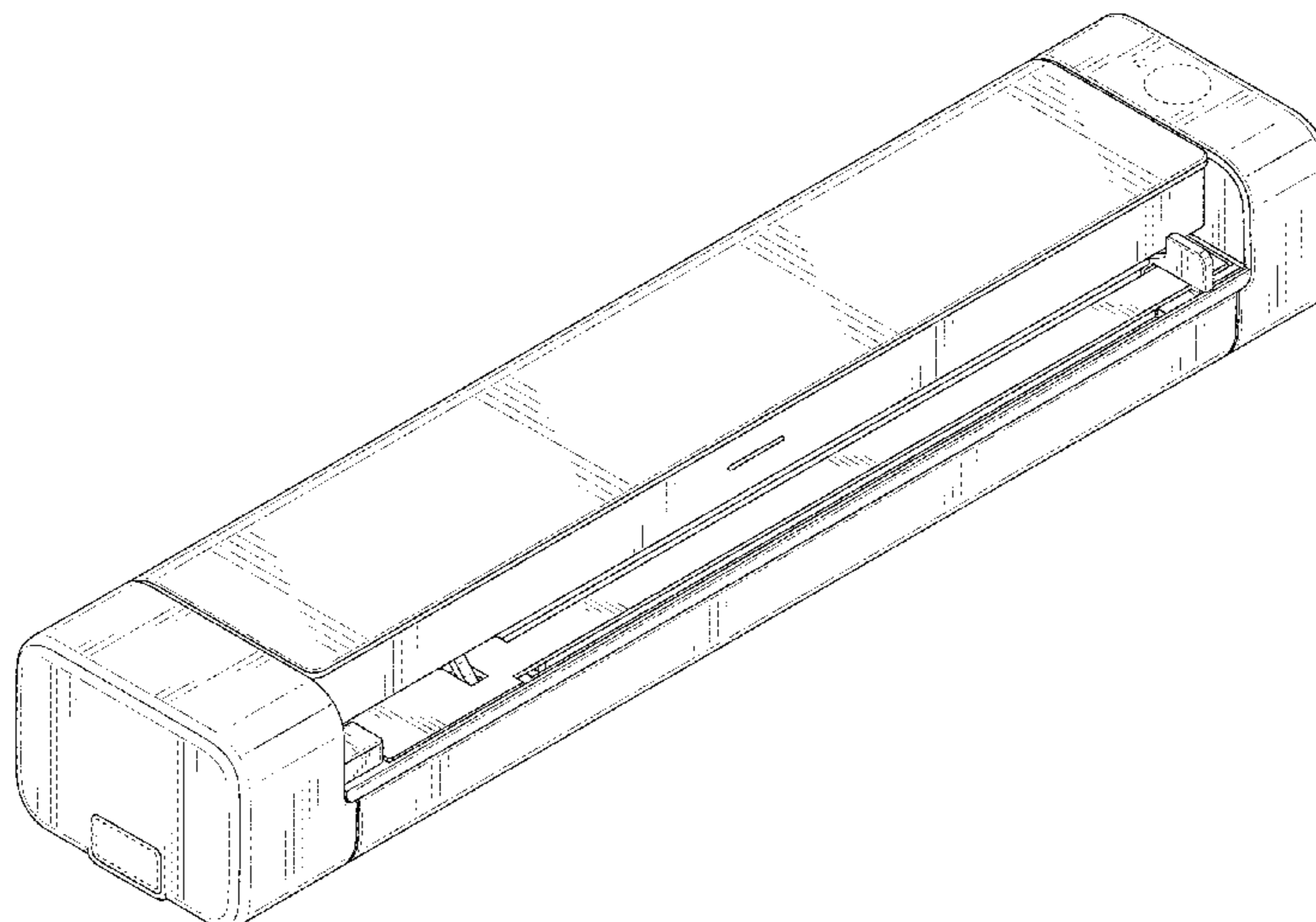
The ornamental design for a scanner, as shown and described.

DESCRIPTION

FIG. 1 is a perspective view of a scanner;
FIG. 2 is a front elevational view thereof;
FIG. 3 is a rear elevational view thereof;
FIG. 4 is a left-side elevational view thereof;
FIG. 5 is a right-side elevational view thereof;
FIG. 6 is a top plan view thereof;
FIG. 7 is a bottom plan view thereof; and,
FIG. 8 is a perspective view thereof in an alternative configuration.

The evenly spaced broken lines depict unclaimed parts of the scanner and form no part of the claimed design.

1 Claim, 7 Drawing Sheets



- (58) **Field of Classification Search**
 CPC B65H 2511/00202; B65H 2511/00206;
 B65H 2301/00; B65H 2220/04; B65H
 3/5261; B65H 2513/42
 See application file for complete search history.

(56) **References Cited**

U.S. PATENT DOCUMENTS

D293,578 S * 1/1988 Matsumoto D18/55
 D295,416 S * 4/1988 Glaberson D14/422
 D302,812 S * 8/1989 Hiroki D14/422
 D304,598 S * 11/1989 Jokl D18/55
 D314,212 S * 1/1991 Komada D18/36
 D321,898 S * 11/1991 Kasee D18/55
 5,236,265 A * 8/1993 Saito B41J 3/36
 312/208.1
 D339,372 S * 9/1993 Kando D18/50
 D340,232 S * 10/1993 Yoshida D14/422
 D345,353 S * 3/1994 Dietrich D14/462
 D352,731 S * 11/1994 Sugimoto D18/50
 D361,084 S * 8/1995 Yamanaka D18/50
 D361,554 S * 8/1995 Mochizuki D14/422
 D362,267 S * 9/1995 Yamanaka D18/50
 D363,733 S * 10/1995 Sugimoto D18/50
 D372,467 S * 8/1996 Lee D14/422
 D401,614 S * 11/1998 Moriyama D18/36
 D415,128 S * 10/1999 Kitera D14/422
 D424,608 S * 5/2000 Yorifuji D18/40
 D428,623 S * 7/2000 Igarashi D18/54
 D435,849 S * 1/2001 Tasi D14/422
 D441,012 S * 4/2001 Kawahara D18/55
 6,382,761 B1 * 5/2002 Asano B41J 29/393
 347/19
 D466,921 S * 12/2002 Senshiki D18/54
 D518,093 S * 3/2006 de Salis D18/55
 7,029,113 B2 * 4/2006 Hwang B41J 29/13
 347/108
 D525,295 S * 7/2006 Suzuki D18/55
 D528,156 S * 9/2006 King D18/55
 D554,582 S * 11/2007 Iseki D13/108
 D563,413 S * 3/2008 Kuroda D14/422
 D579,938 S * 11/2008 Romanoff D14/422
 7,540,127 B2 * 6/2009 Sung B65B 31/046
 53/434
 D597,572 S * 8/2009 Tsai D15/146
 D624,544 S * 9/2010 Kuroda D14/422

D624,545 S * 9/2010 Kuroda D14/422
 D624,547 S * 9/2010 Kuroda D14/422
 D636,775 S * 4/2011 Kuroda D14/422
 D636,776 S * 4/2011 Kuroda D14/422
 D637,191 S * 5/2011 Kuroda D14/422
 D638,018 S * 5/2011 Kuroda D14/422
 D644,265 S * 8/2011 Inada D18/50
 D682,834 S * 5/2013 Ishikawa D14/422
 D686,212 S * 7/2013 Yamano D14/422
 D689,868 S * 9/2013 Ishikawa D14/422
 D706,269 S * 6/2014 Qian D14/422
 D709,071 S * 7/2014 Kato D14/422
 D714,290 S 9/2014 Tanaka et al.
 D714,291 S 9/2014 Tanaka et al.
 D723,035 S * 2/2015 Taniho D14/422
 D777,248 S * 1/2017 Oguchi D18/50
 D780,181 S * 2/2017 Peng D14/422
 D807,887 S * 1/2018 Hama D14/422
 D831,654 S * 10/2018 Chiu D14/422
 D845,952 S * 4/2019 Egami D14/422
 D867,366 S * 11/2019 Yoshioka D14/422
 D896,813 S * 9/2020 Saeki D14/422
 2005/0150400 A1 * 7/2005 Lin B41J 29/13
 101/35
 2010/0211709 A1 * 8/2010 Chen G06F 3/038
 710/73
 2010/0321745 A1 * 12/2010 Van Os H04N 1/00888
 358/498
 2012/0081764 A1 * 4/2012 Ho H04N 1/00525
 358/498
 2014/0103598 A1 * 4/2014 Kuriki B65H 5/26
 271/3.19
 2014/0118803 A1 * 5/2014 Lee H04N 1/193
 358/498
 2014/0293377 A1 * 10/2014 Minoshima H04N 1/193
 358/498
 2015/0062672 A1 * 3/2015 Kuriki B65H 5/068
 358/498
 2015/0097329 A1 * 4/2015 Ukai B65H 1/04
 271/9.07
 2015/0274451 A1 * 10/2015 Ukai B65H 1/02
 271/9.08
 2015/0365549 A1 * 12/2015 Lin H04N 1/00557
 358/498
 2016/0323465 A1 * 11/2016 Lin H04N 1/00557
 2017/0054864 A1 * 2/2017 Nagai H04N 1/00795

* cited by examiner

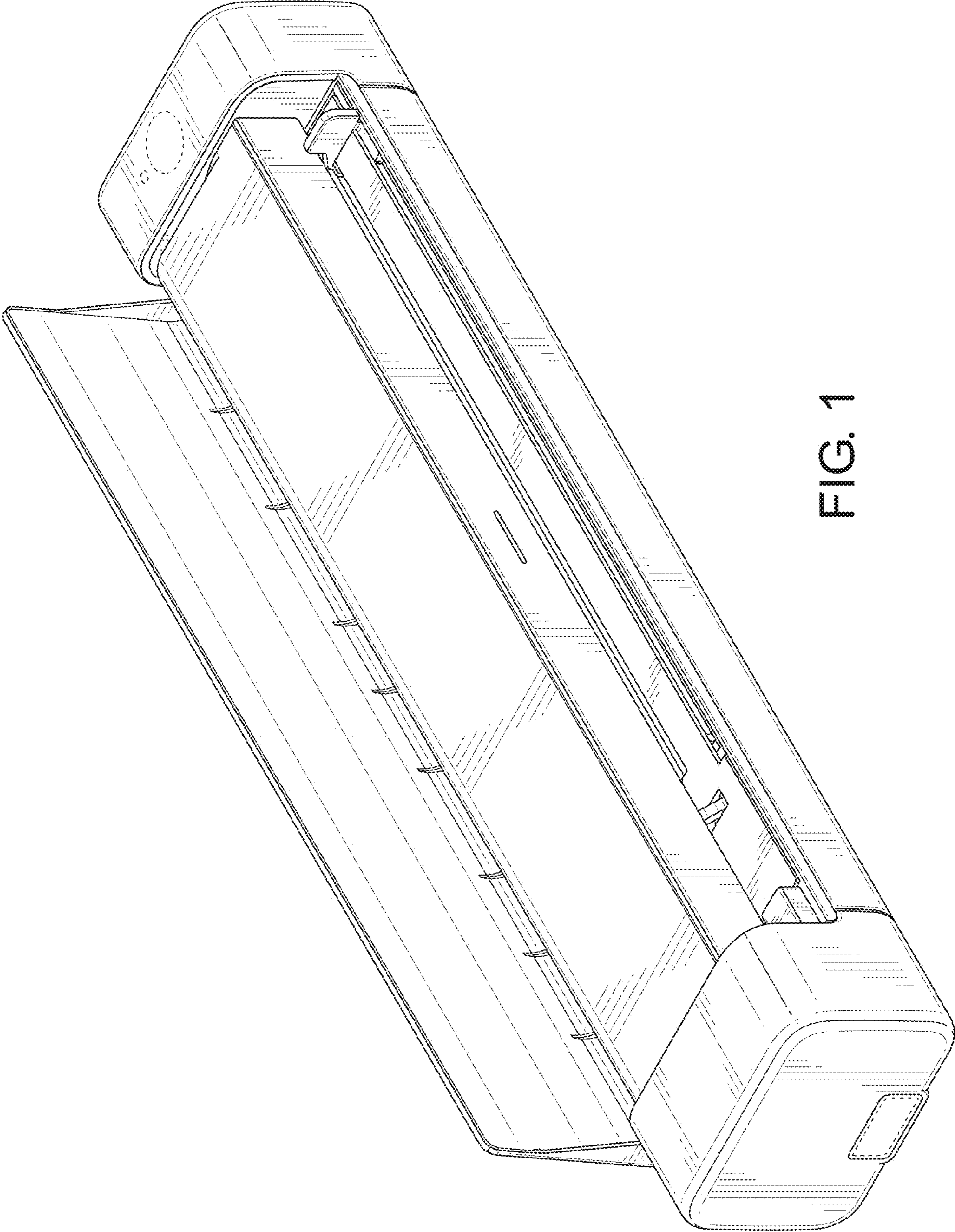


FIG. 1

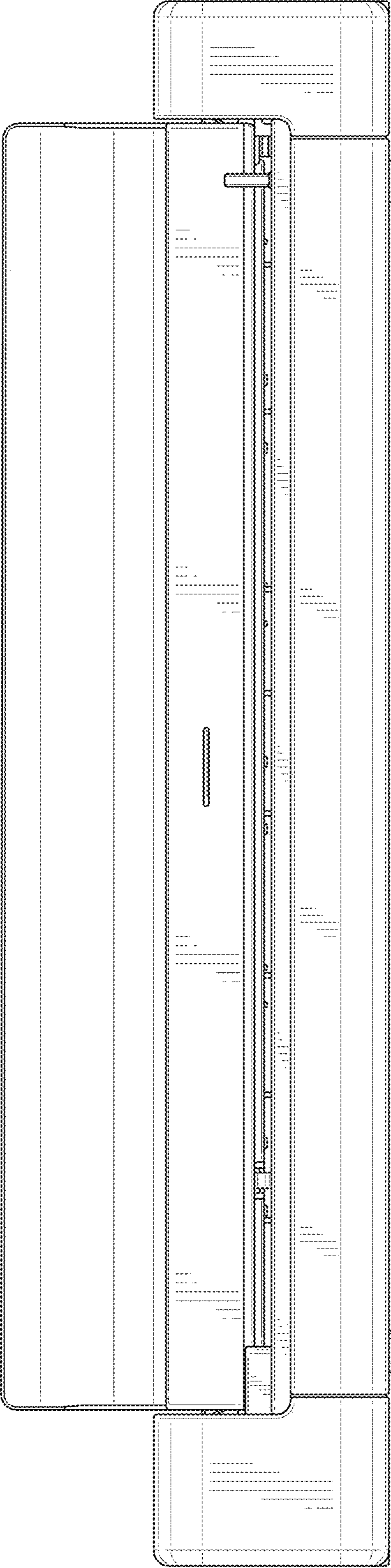


FIG. 2

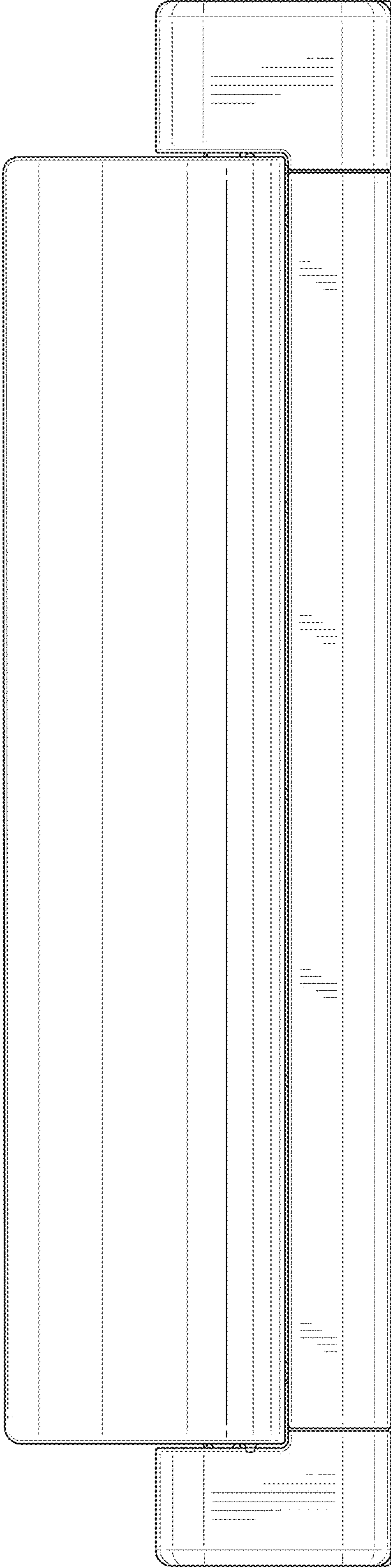


FIG. 3

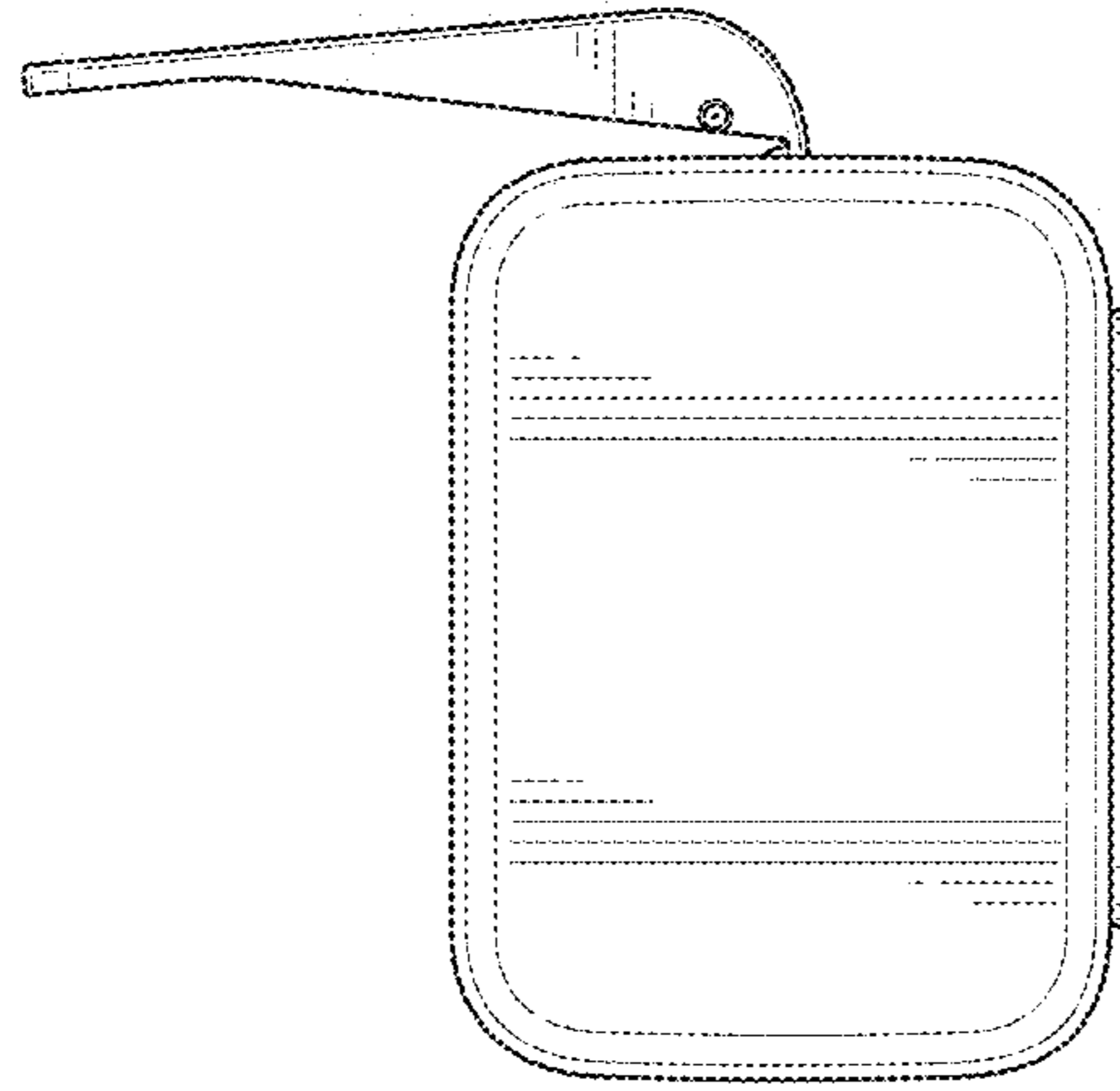


FIG. 5

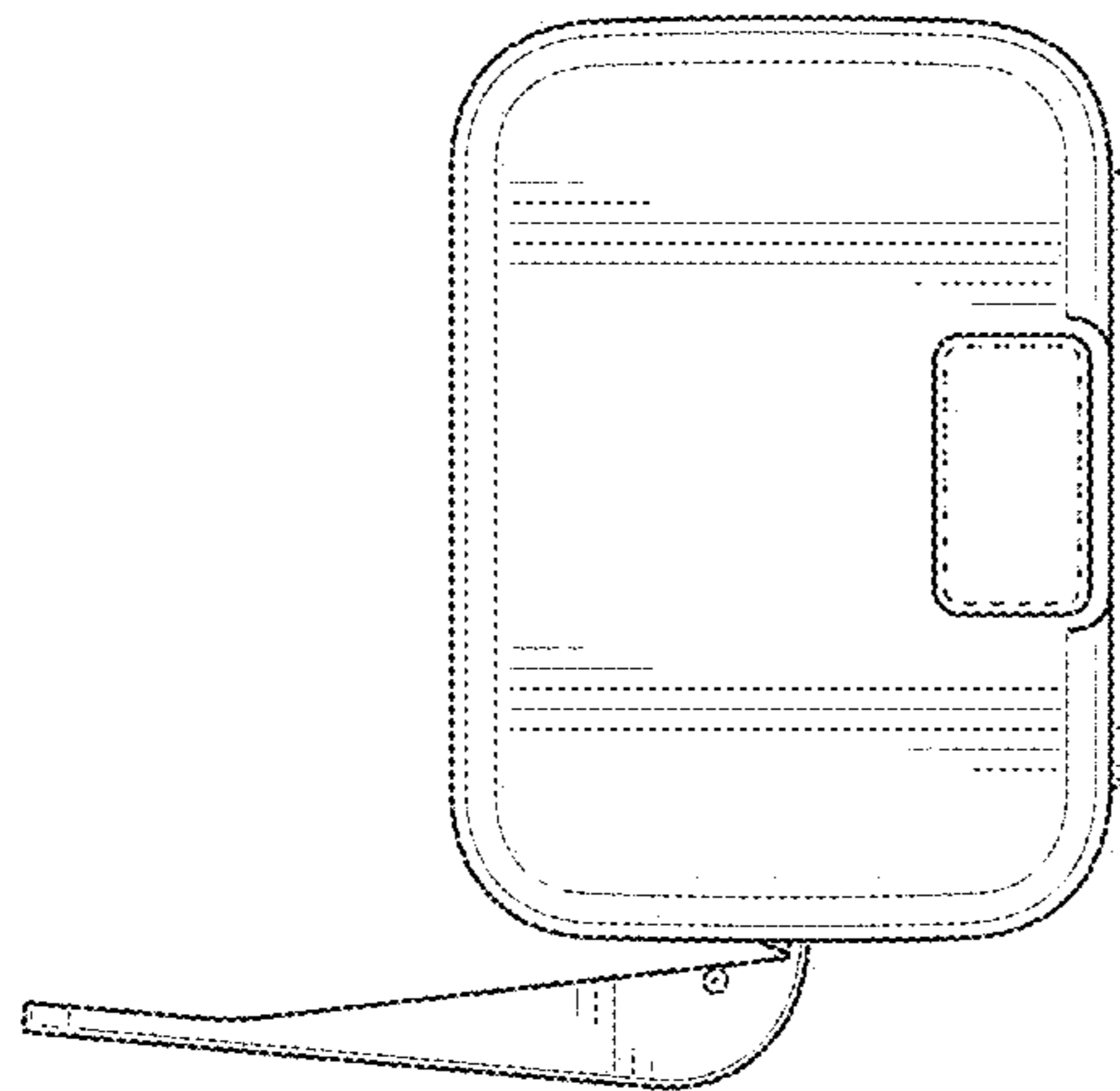


FIG. 4

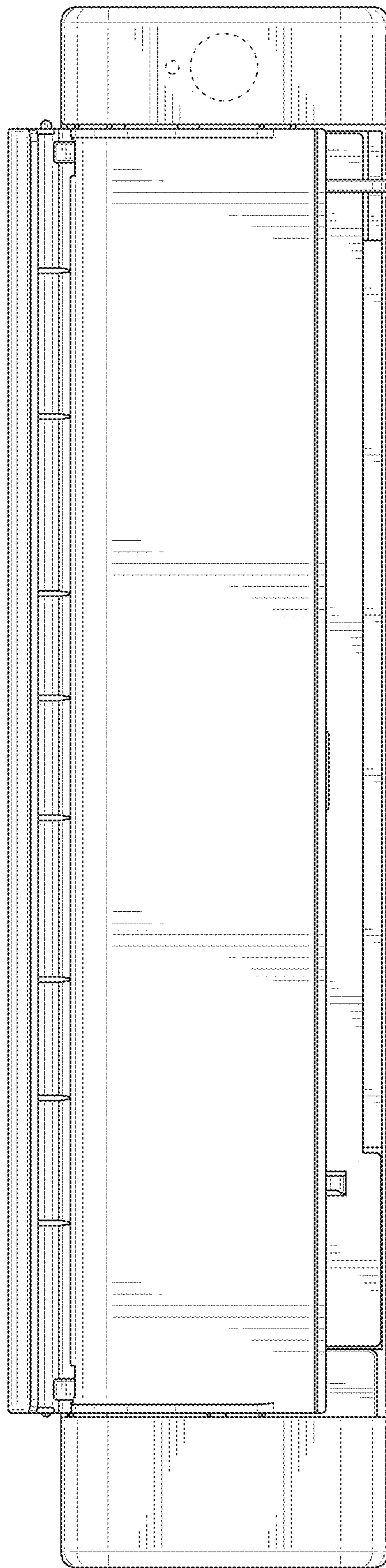


FIG. 6

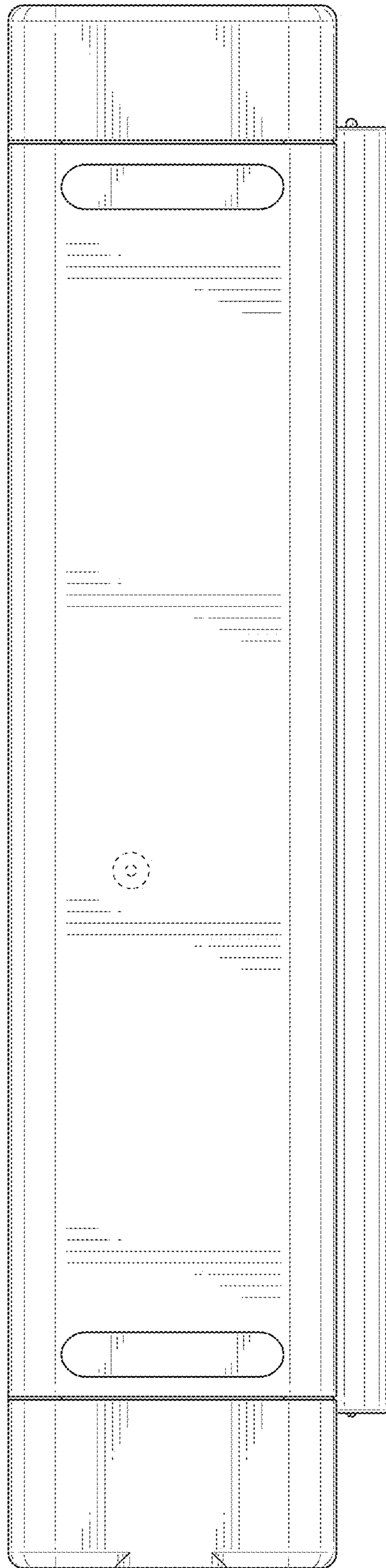


FIG. 7

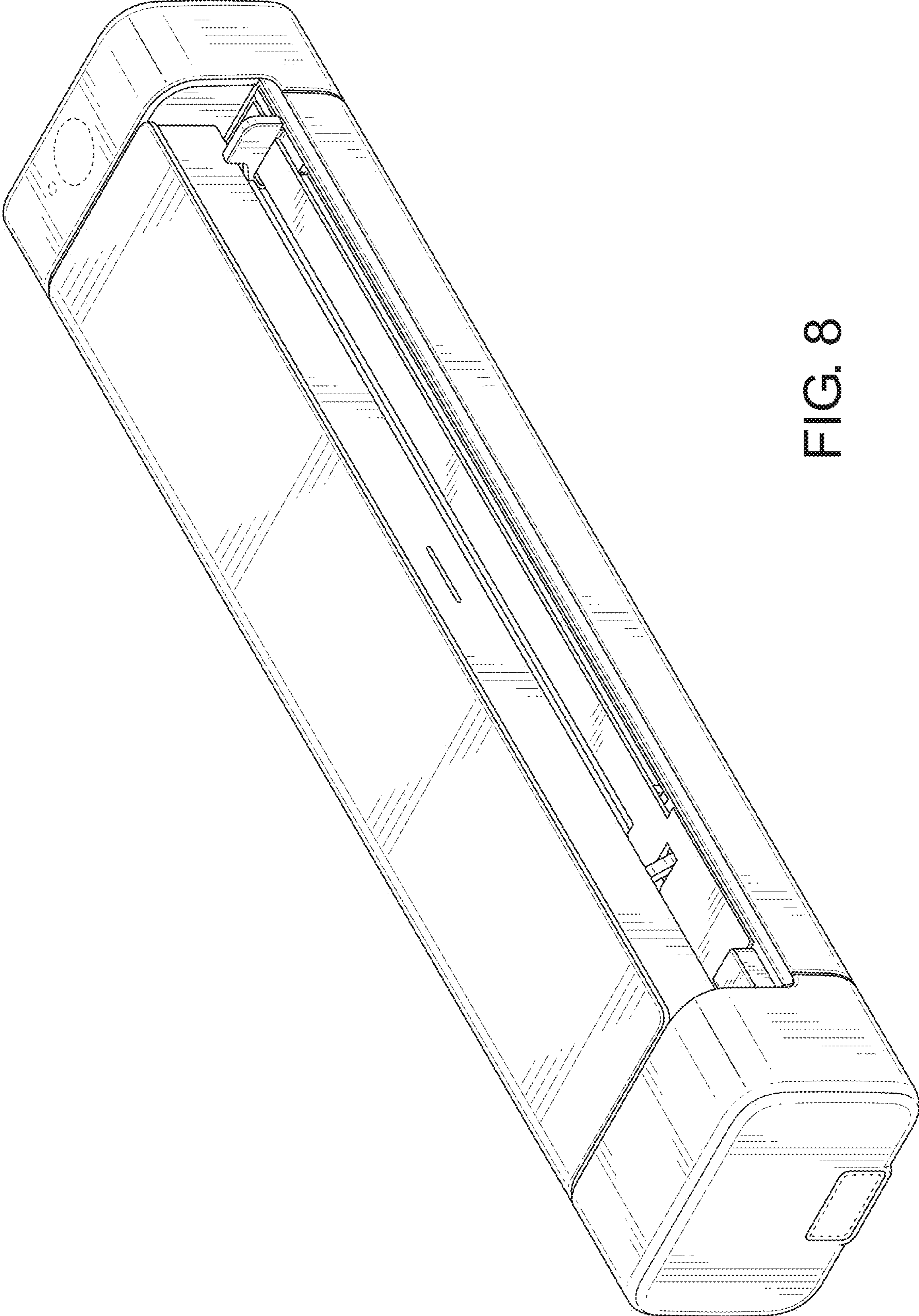


FIG. 8