



US00D913286S

(12) **United States Design Patent** (10) **Patent No.:** **US D913,286 S**
Thompson et al. (45) **Date of Patent:** **** Mar. 16, 2021**

(54) **CODE READER**

G02B 26/10; G02B 26/106; G07F 11/002; G07F 11/02; G06Q 20/343; G06F 2203/0331

(71) Applicant: **Datalogic USA, Inc.**, Eugene, OR (US)

See application file for complete search history.

(72) Inventors: **Ryan Thompson**, Eugene, OR (US);
Jeff Hoskinson, Eugene, OR (US);
Chris Lenart, San Francisco, CA (US)

(56) **References Cited**

U.S. PATENT DOCUMENTS

(73) Assignee: **Datalogic USA, Inc.**, Eugene, OR (US)

D602,913 S * 10/2009 Han D14/217
8,479,992 B2 * 7/2013 Kotlarsky G06K 7/10821
235/462.07
D689,478 S * 9/2013 Wikel D14/253
D721,371 S * 1/2015 Rivera D14/420
D754,233 S * 4/2016 Du D16/211
D755,181 S 5/2016 Mistkawi et al.

(**) Term: **15 Years**

(21) Appl. No.: **29/691,515**

(Continued)

(22) Filed: **May 16, 2019**

(51) **LOC (13) Cl.** **14-02**

(52) **U.S. Cl.**

USPC **D14/420**

(58) **Field of Classification Search**

USPC D14/420, 426-430, 453; 235/462.01,
235/462.11, 462.43, 462.45, 462.49,
235/472.01, 385, 454; 382/313, 321,
382/318; 358/473; 250/215, 216;
D26/37-50, 24; 362/157, 158, 171-174,
362/183-208; 396/427

CPC G06K 7/10584; G06K 7/10613; G06K
7/10881; G06K 7/109; G06K 7/10693;
G06K 7/10871; G06K 7/1098; G06K
7/10; G06K 7/10564; G06K 7/10594;
G06K 7/10603; G06K 7/10663; G06K
7/10673; G06K 7/10702; G06K 7/10792;
G06K 7/10633; G06K 7/10653; G06K
7/10891; G06K 7/14; G06K 7/1443;
G06K 7/10801; G06K 7/10811; G06K
7/10851; G06K 7/10861; G06K
2207/1011; G06K 2207/1012; G06K
2207/1013; G06K 2207/1016; G06K
2207/1017; G06K 2207/1018; G06K
2207/10534; G06K 17/0022; A47F 9/046;
A47F 9/047; G07G 1/0045; G04N
5/23238; G04N 5/2252; G04N 5/2251;
G03B 17/02; B25H 5/00; B66F 7/28;

OTHER PUBLICATIONS

Magellan (TM) 1100i, www.datalogic.com, 2009-2014 Datalogic
ADC, Inc., 2 pages.

(Continued)

Primary Examiner — Susan Moon Lee

(74) *Attorney, Agent, or Firm* — Foley & Lardner LLP

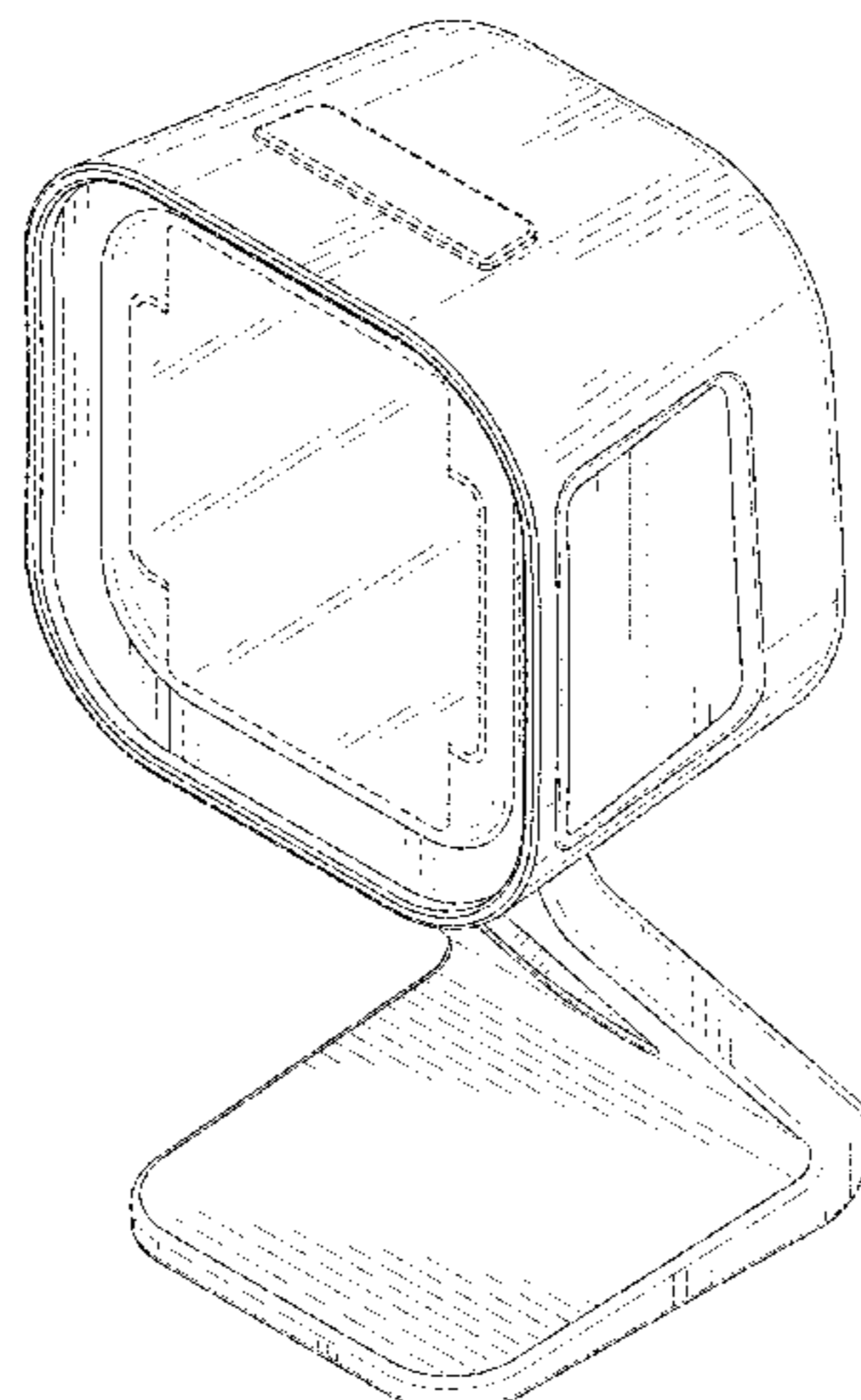
(57) **CLAIM**

An ornamental design for a code reader, as shown and
described.

DESCRIPTION

FIG. 1 is a top perspective view of a code reader showing the
new design;
FIG. 2 is a front side view thereof;
FIG. 3 is a back side view thereof;
FIG. 4 is a right side view thereof;
FIG. 5 is a left view thereof;
FIG. 6 is a top view thereof;
FIG. 7 is a bottom view thereof; and,
FIG. 8 is a bottom perspective view thereof.

(Continued)



The broken lines in the figures are for illustrative purposes only and form no part of the claimed design.

1 Claim, 8 Drawing Sheets

(56)

References Cited

U.S. PATENT DOCUMENTS

D785,693	S	*	5/2017	Kim	D16/214
D809,045	S	*	1/2018	Jou	D16/202
D891,431	S	*	7/2020	Iacovitti	D14/420
D902,973	S	*	11/2020	Homza	D16/203
2014/0263608	A1	*	9/2014	Rivera	G06Q 20/3276 235/375
2015/0198865	A1	*	7/2015	Chang	F16M 11/14 396/428

OTHER PUBLICATIONS

Magellan (TM) 800i, www.datalogic.com, 2011-2014 Datalogic ADC, Inc., 2 pages.

* cited by examiner

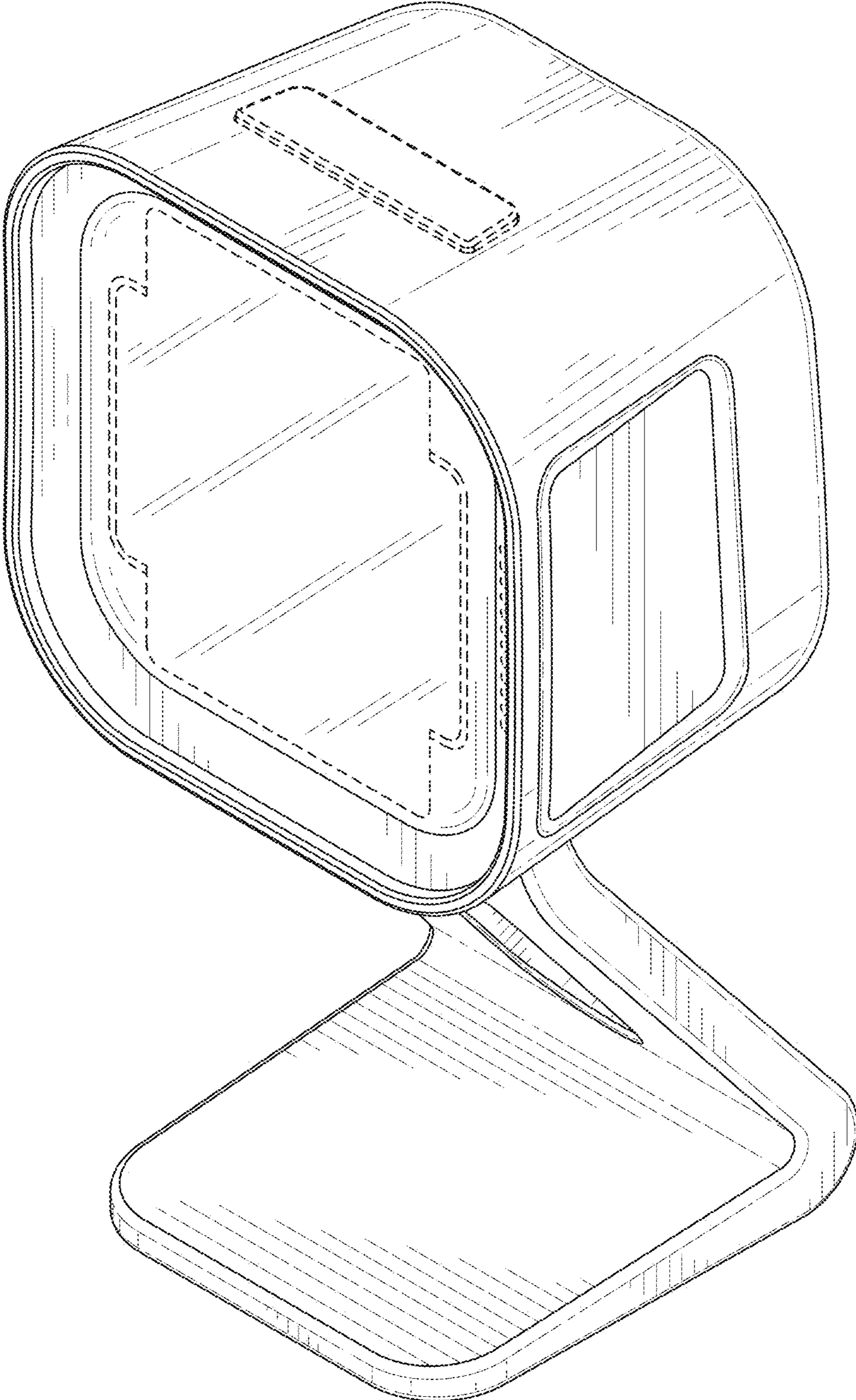


FIG. 1

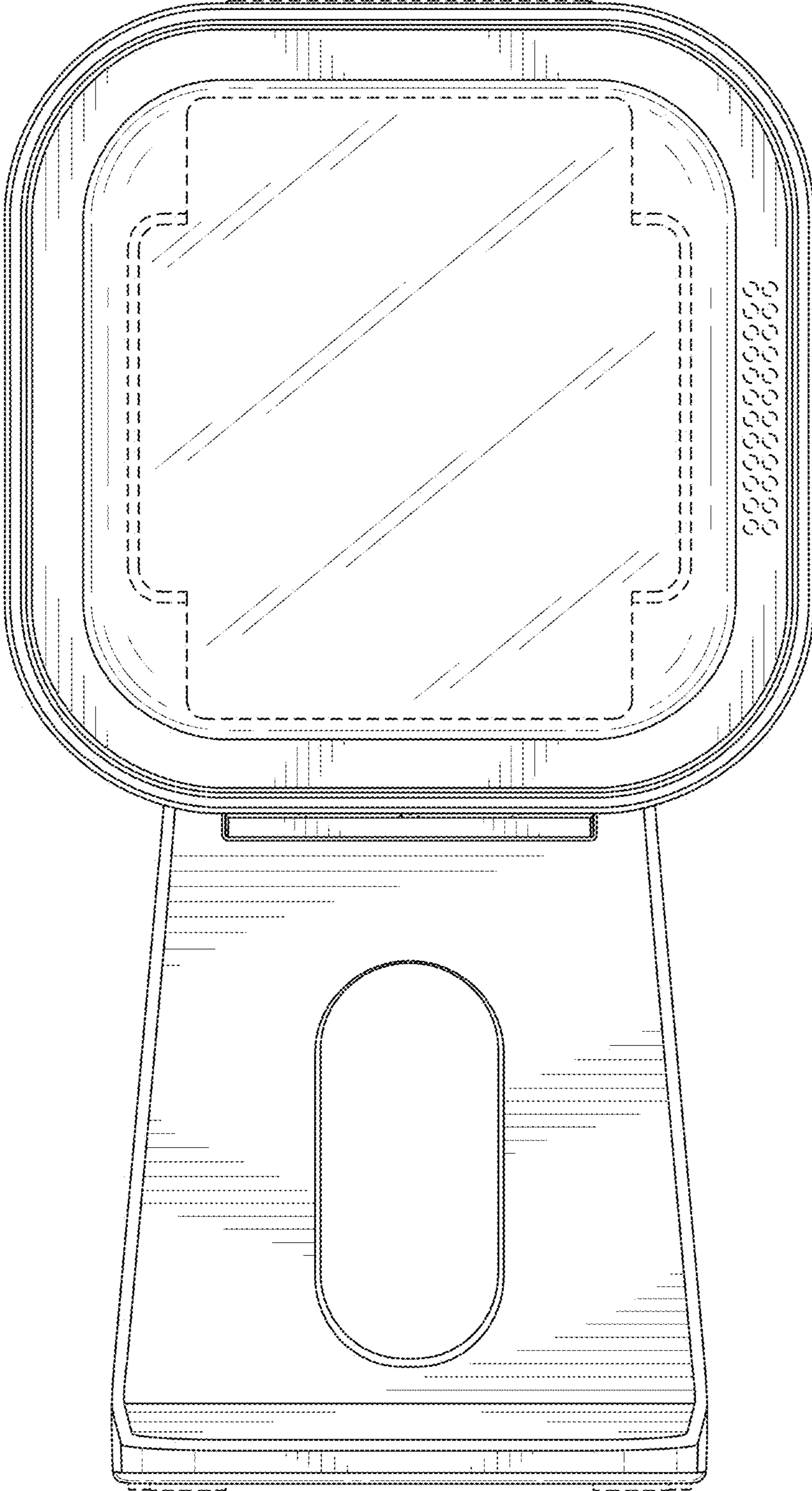


FIG. 2

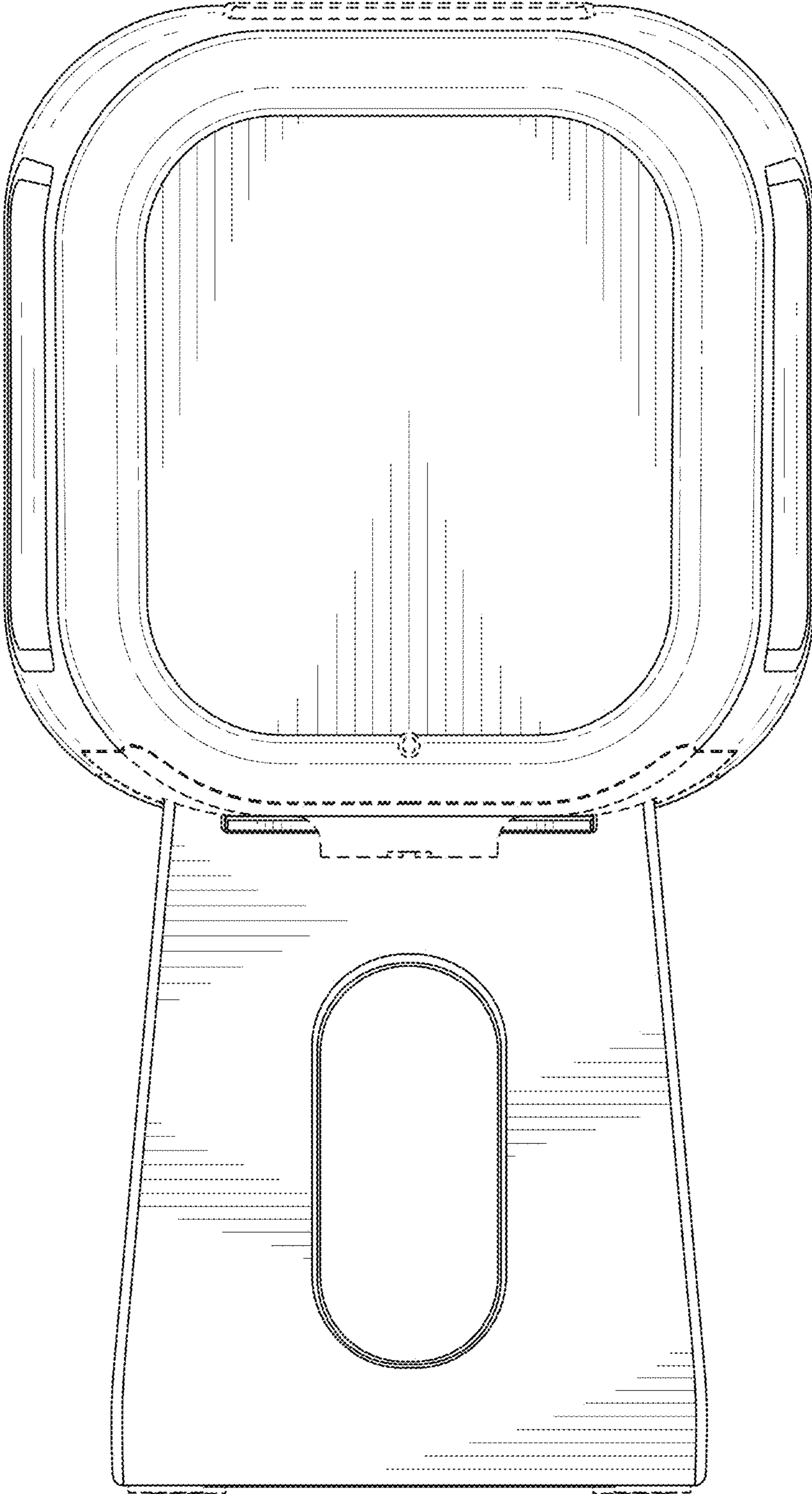


FIG. 3

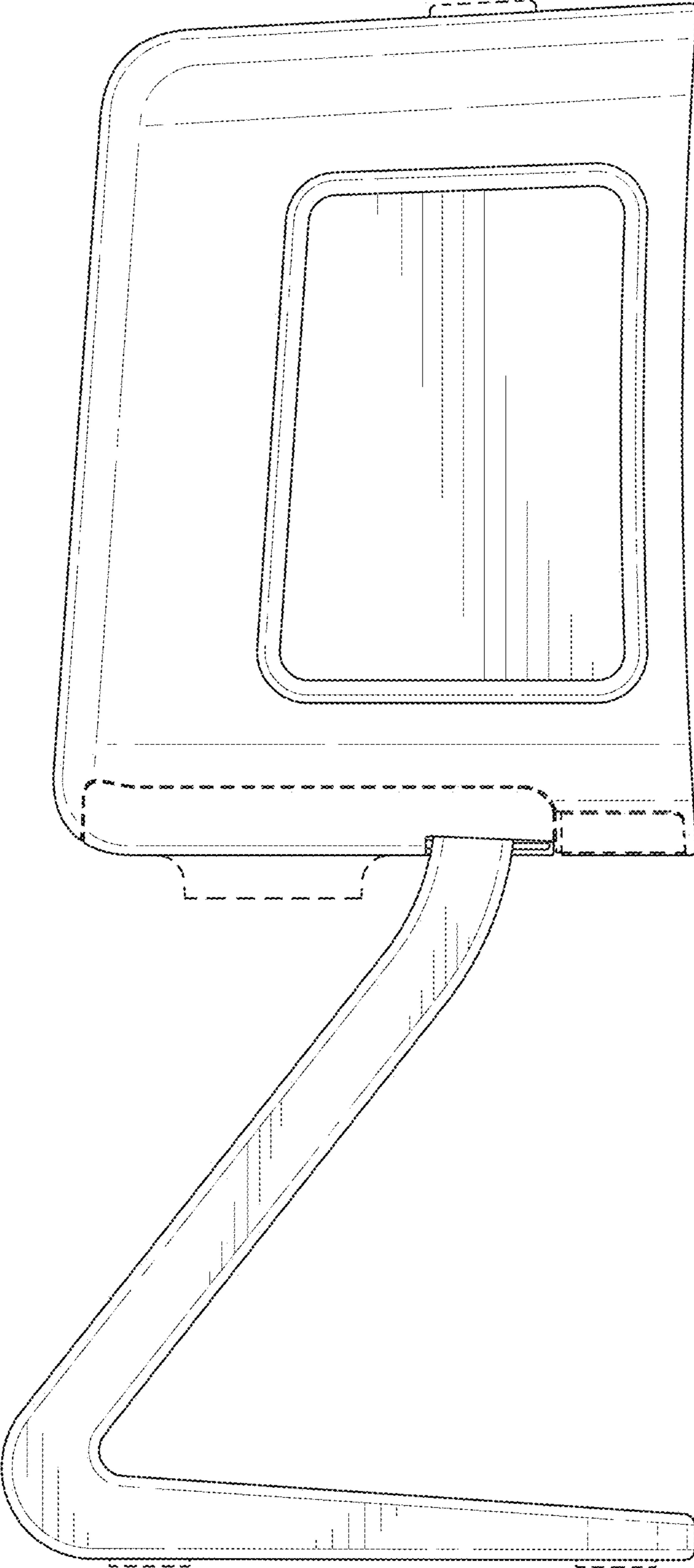


FIG. 4

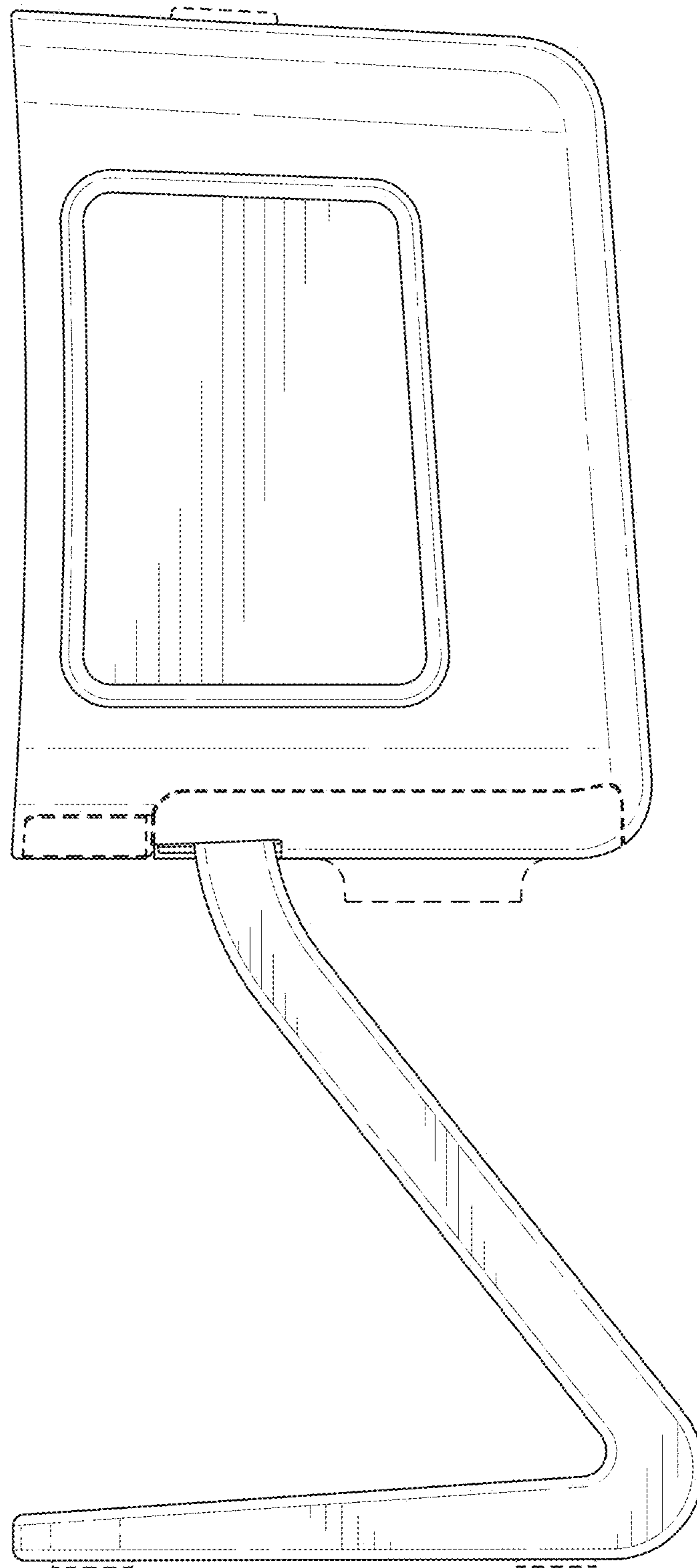


FIG. 5

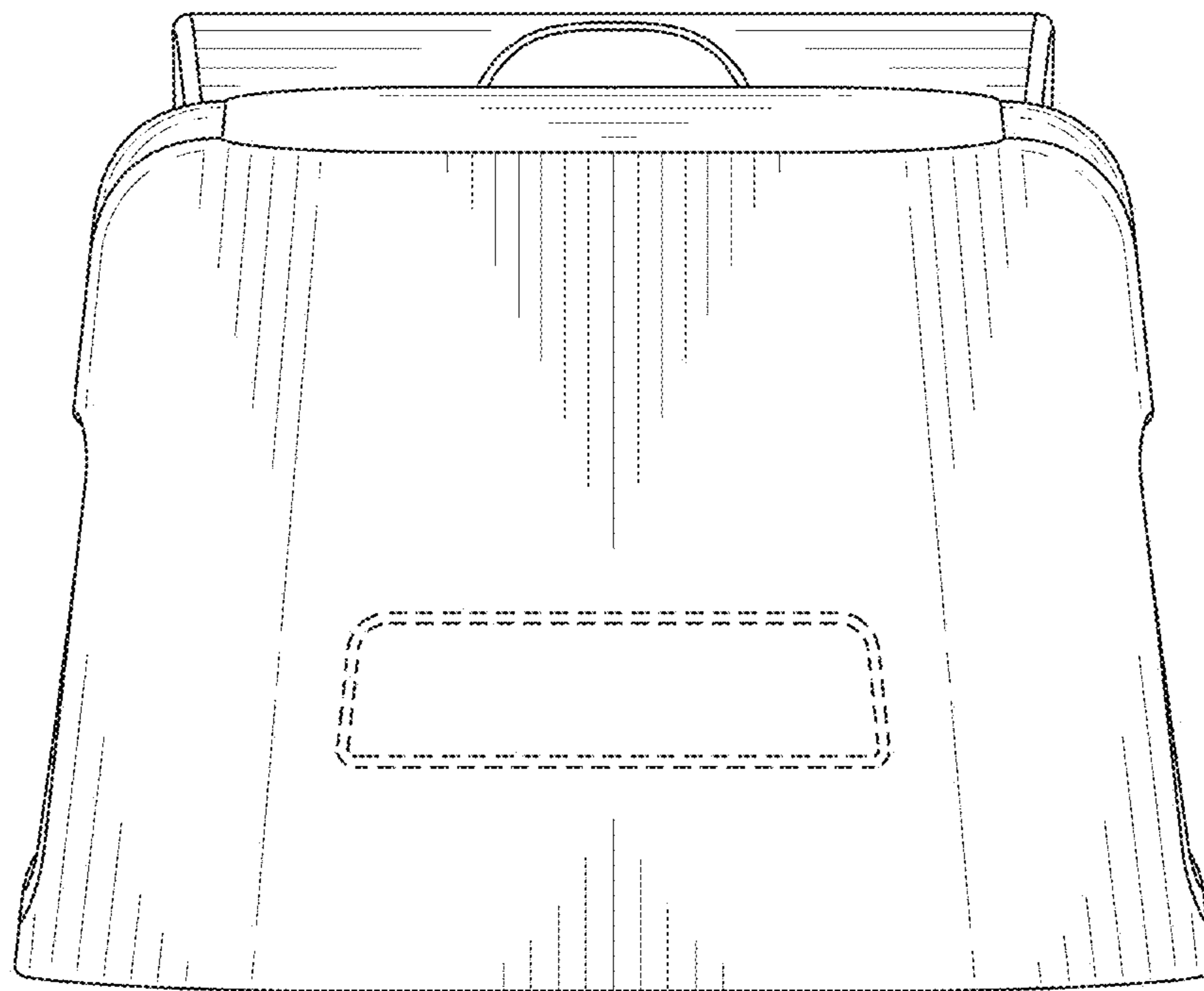


FIG. 6

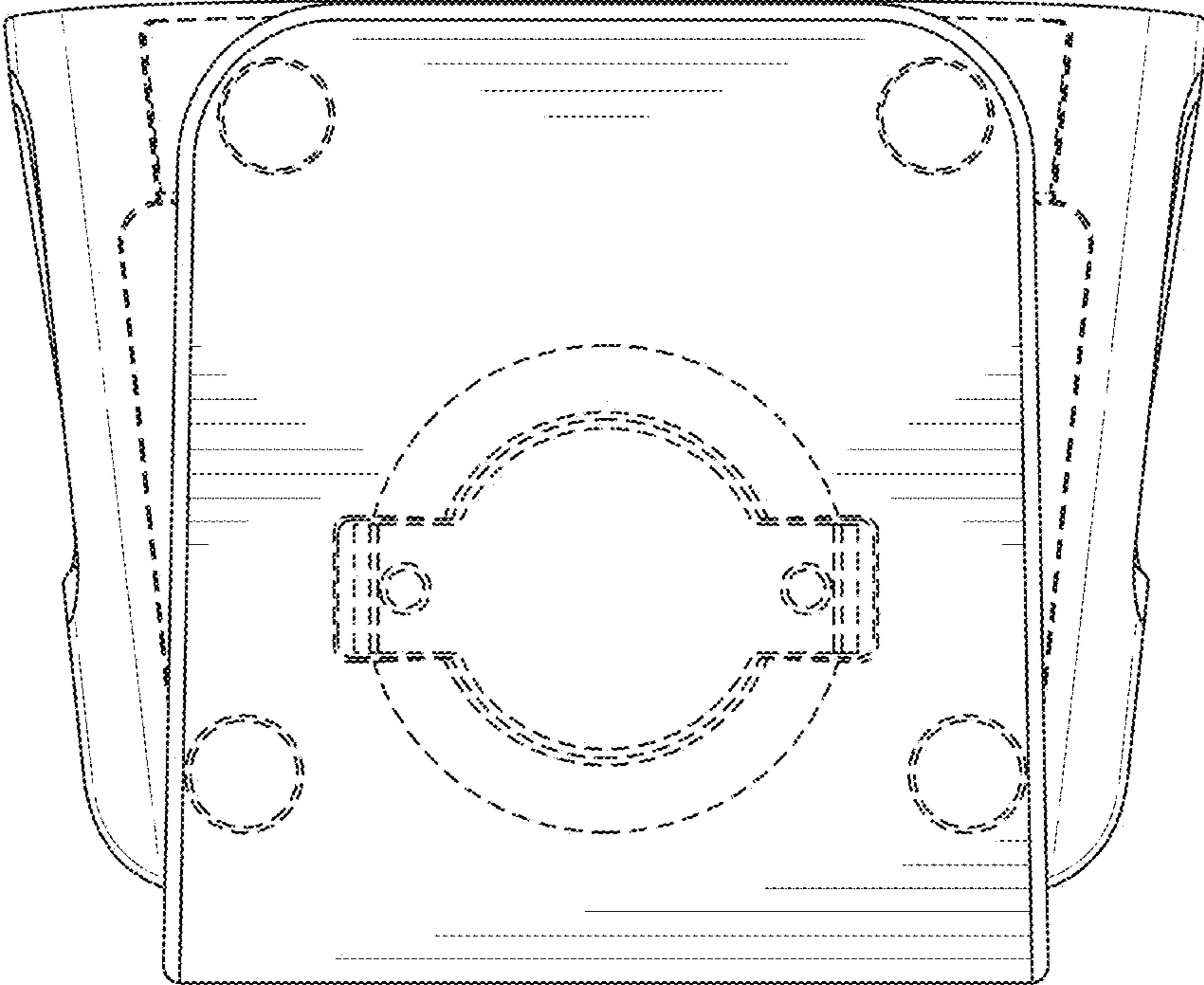


FIG. 7

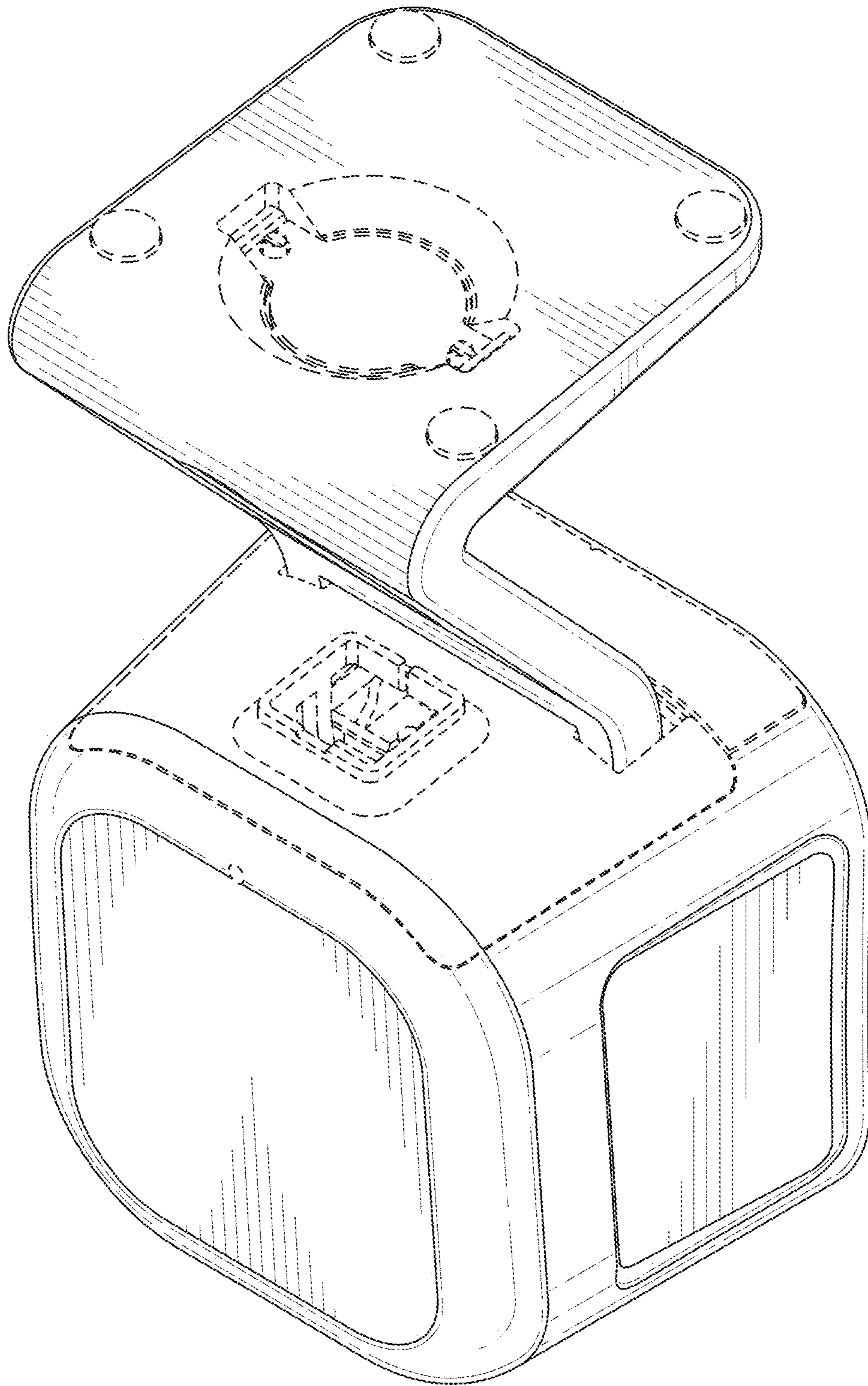


FIG. 8