



US00D913285S

(12) **United States Design Patent**  
**Wang**

(10) **Patent No.:** **US D913,285 S**  
(45) **Date of Patent:** **\*\* Mar. 16, 2021**

(54) **GAMING MOUSE**

(71) Applicant: **Beijing Jingyunmake Technology Co., Ltd, Beijing (CN)**

(72) Inventor: **Min Wang, Beijing (CN)**

(73) Assignee: **Beijing Jingyunmake Technology Co., Ltd., Beijing (CN)**

(\*\*) Term: **15 Years**

(21) Appl. No.: **29/744,710**

(22) Filed: **Jul. 30, 2020**

(51) **LOC (13) Cl.** ..... **14-03**

(52) **U.S. Cl.**  
USPC ..... **D14/402**

(58) **Field of Classification Search**  
USPC ..... D14/402-411, 356, 388, 389, 383-385,  
D14/417, 426; 345/156-167; 463/36-38;  
358/471, 473; 273/148 B  
CPC ..... G06F 3/03543; G06F 2203/0333; G06F  
3/039; G06F 3/038; G06F 2203/0384  
See application file for complete search history.

(56) **References Cited**

**U.S. PATENT DOCUMENTS**

D445,794 S	*	7/2001	Johnston	.....	D14/402
D521,004 S	*	5/2006	Suzuki	.....	D14/402
D552,093 S	*	10/2007	Sheehan	.....	D14/402
D591,300 S	*	4/2009	Hong	.....	D14/402
D827,647 S	*	9/2018	Chong	.....	D14/402
D845,300 S	*	4/2019	Chong	.....	D14/410

D884,699 S	*	5/2020	Mohammad	.....	D14/402
D892,116 S	*	8/2020	Jansson	.....	D14/402
2016/0109964 A1	*	4/2016	Wang	.....	G06F 3/03543 345/166
2019/0179430 A1	*	6/2019	Shayani	.....	G06F 3/03543

**FOREIGN PATENT DOCUMENTS**

CN 305472515 S 6/2019

\* cited by examiner

*Primary Examiner* — Austin Murphy

(74) *Attorney, Agent, or Firm* — Lynch LLP

(57) **CLAIM**

The ornamental design for a gaming mouse, as shown and described.

**DESCRIPTION**

FIG. 1 is a top, front, right-side perspective view of a gaming mouse of the inventive subject matter.

FIG. 2 is a bottom, rear, left-side view of the same.

FIG. 3 is a front view of the same.

FIG. 4 is a rear view of the same.

FIG. 5 is a right-side view of the same.

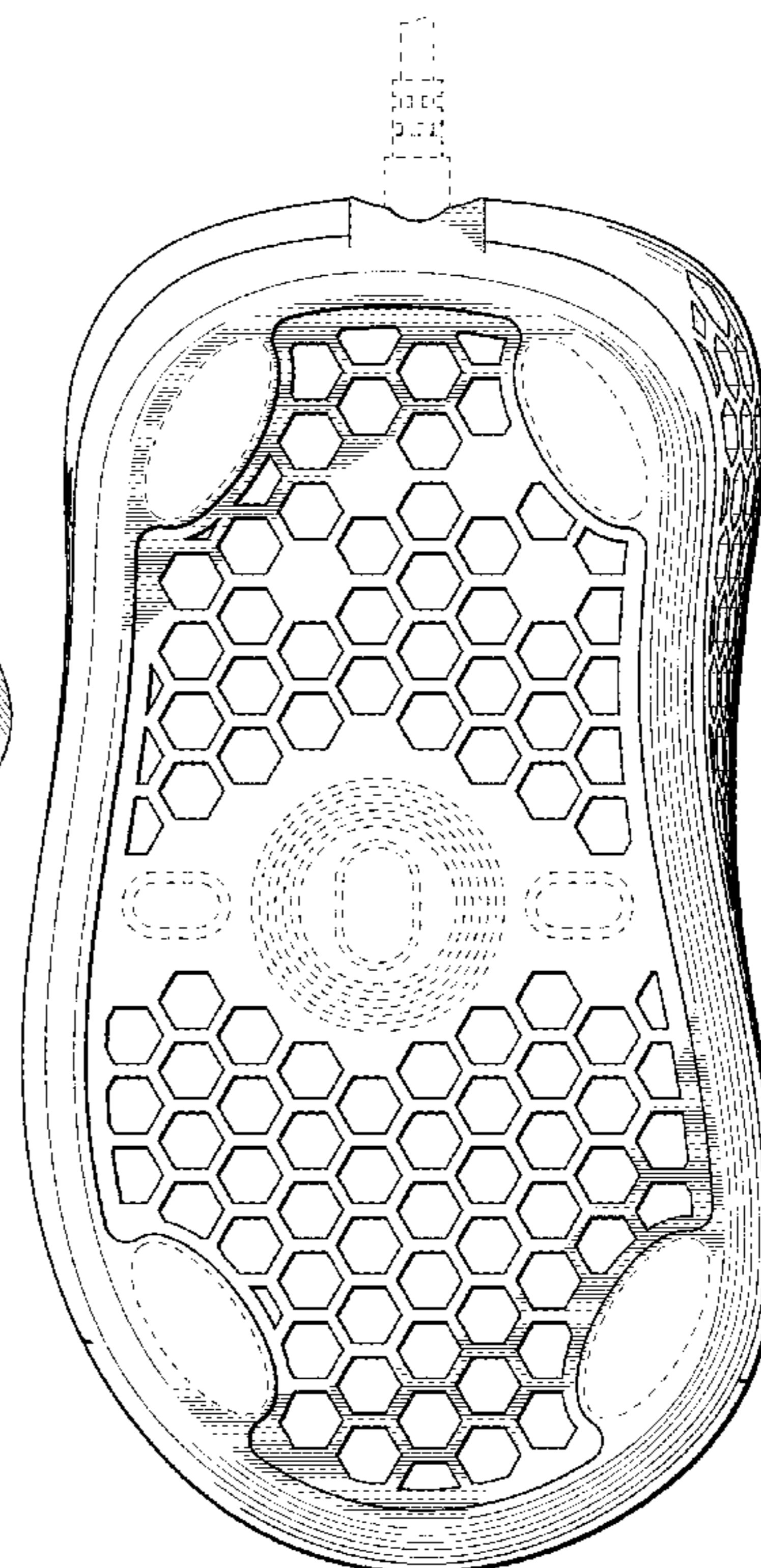
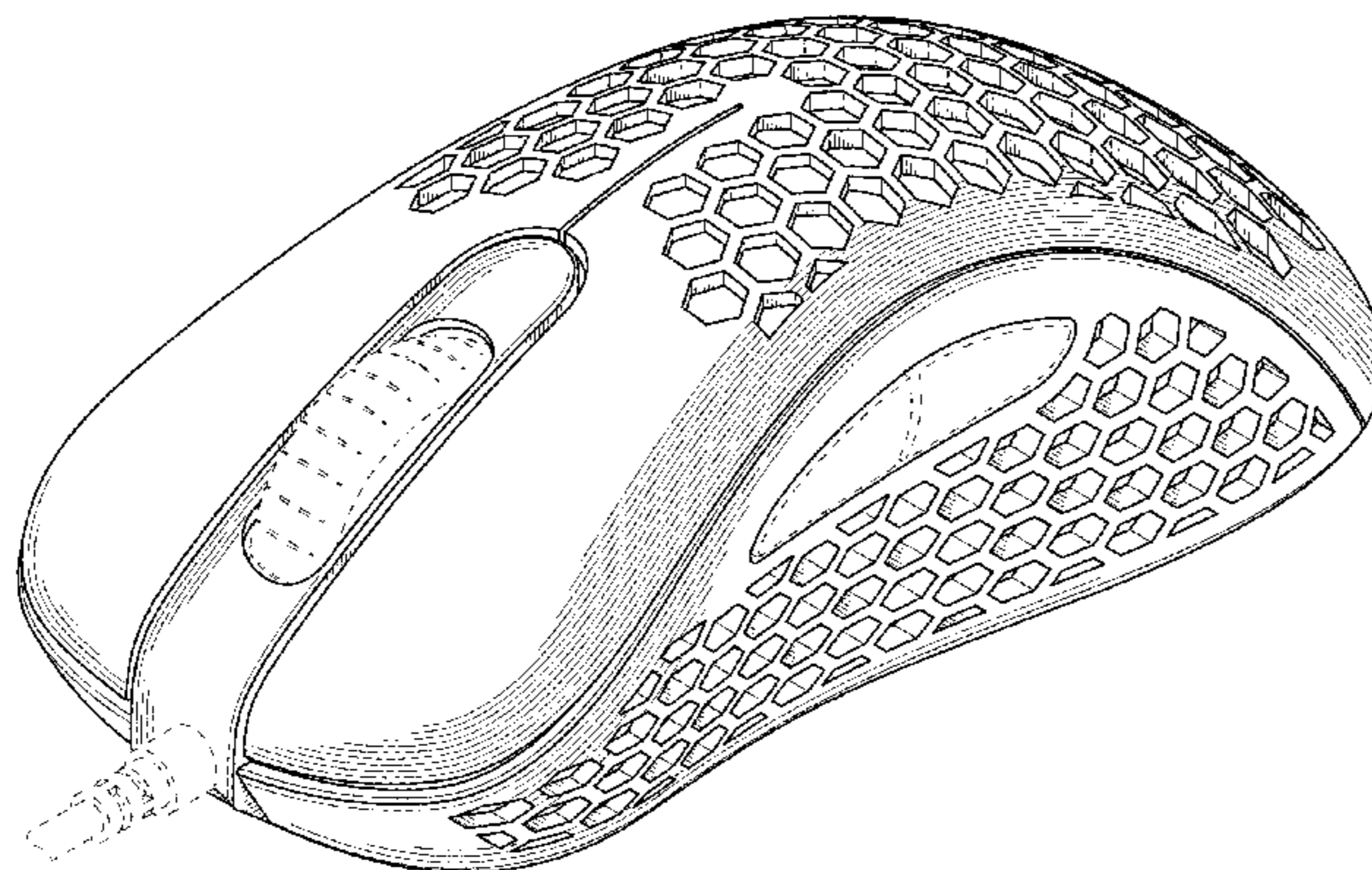
FIG. 6 is a left-side view of the same.

FIG. 7 is a top view of the same; and,

FIG. 8 is a bottom view of the same.

The broken lines on the top, front, and bottom portions of the gaming mouse are directed to a cord, button inputs, and other features including an opening for an optical tracking element and represent unclaimed portions of the gaming mouse.

**1 Claim, 6 Drawing Sheets**





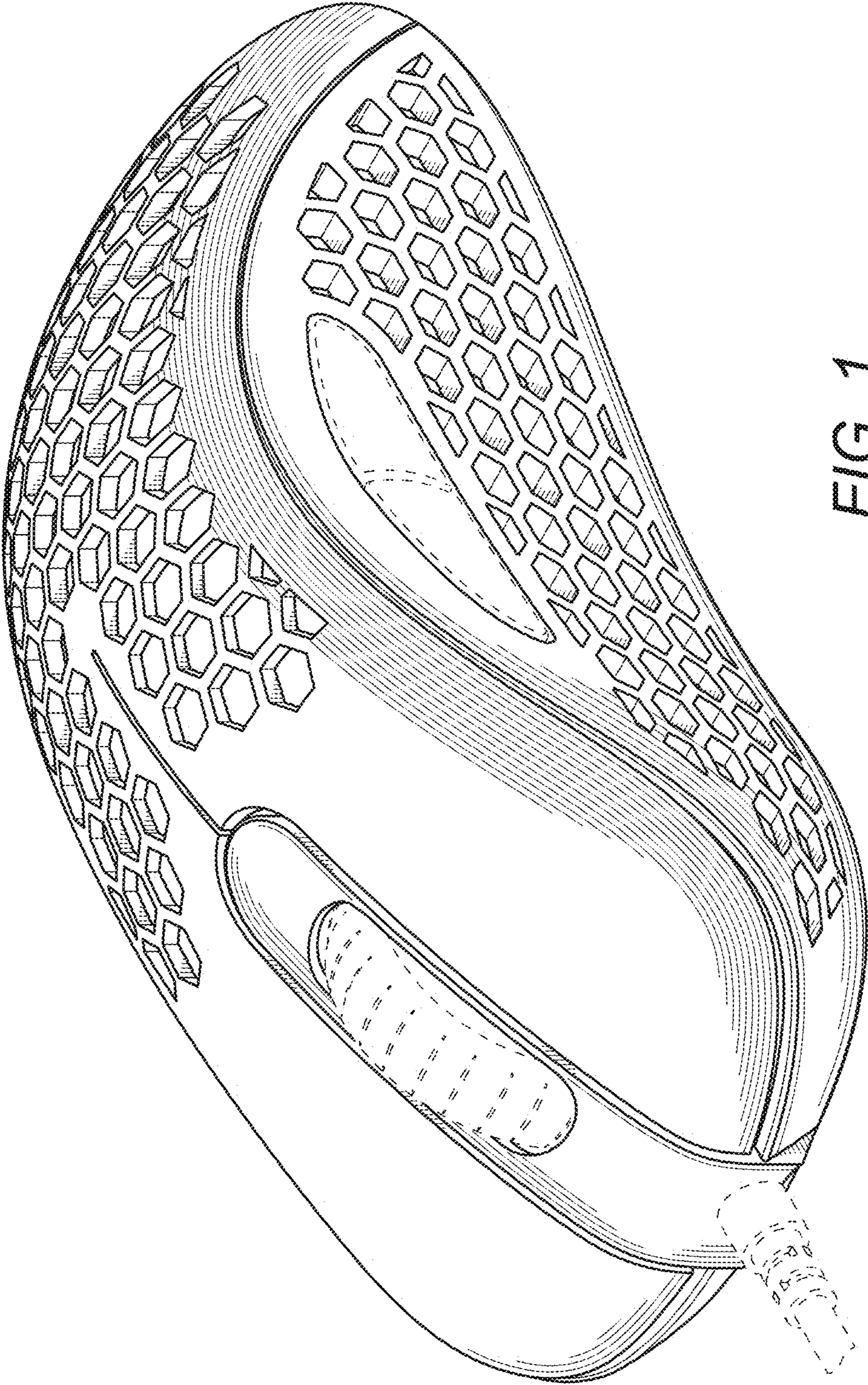


FIG. 1



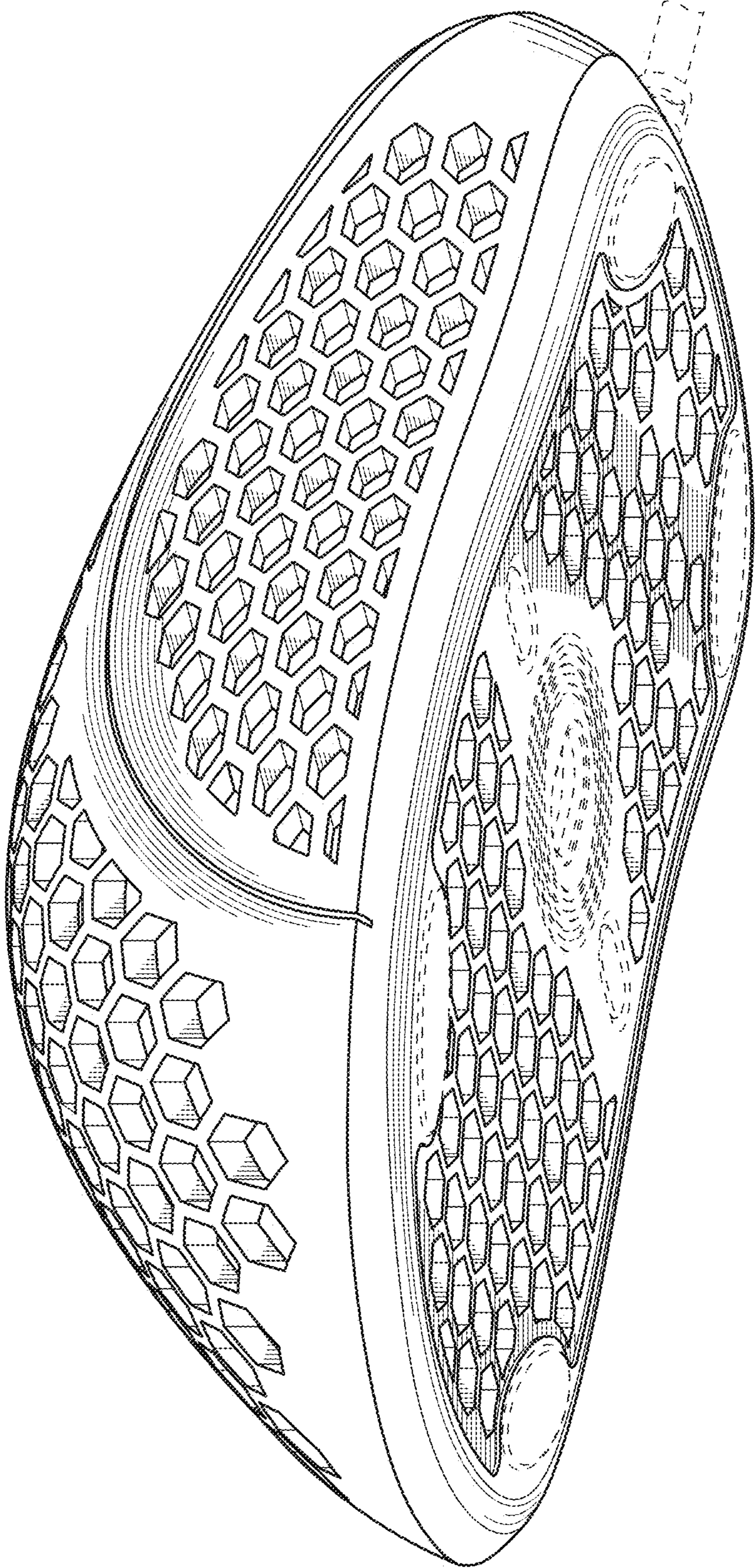


FIG. 2

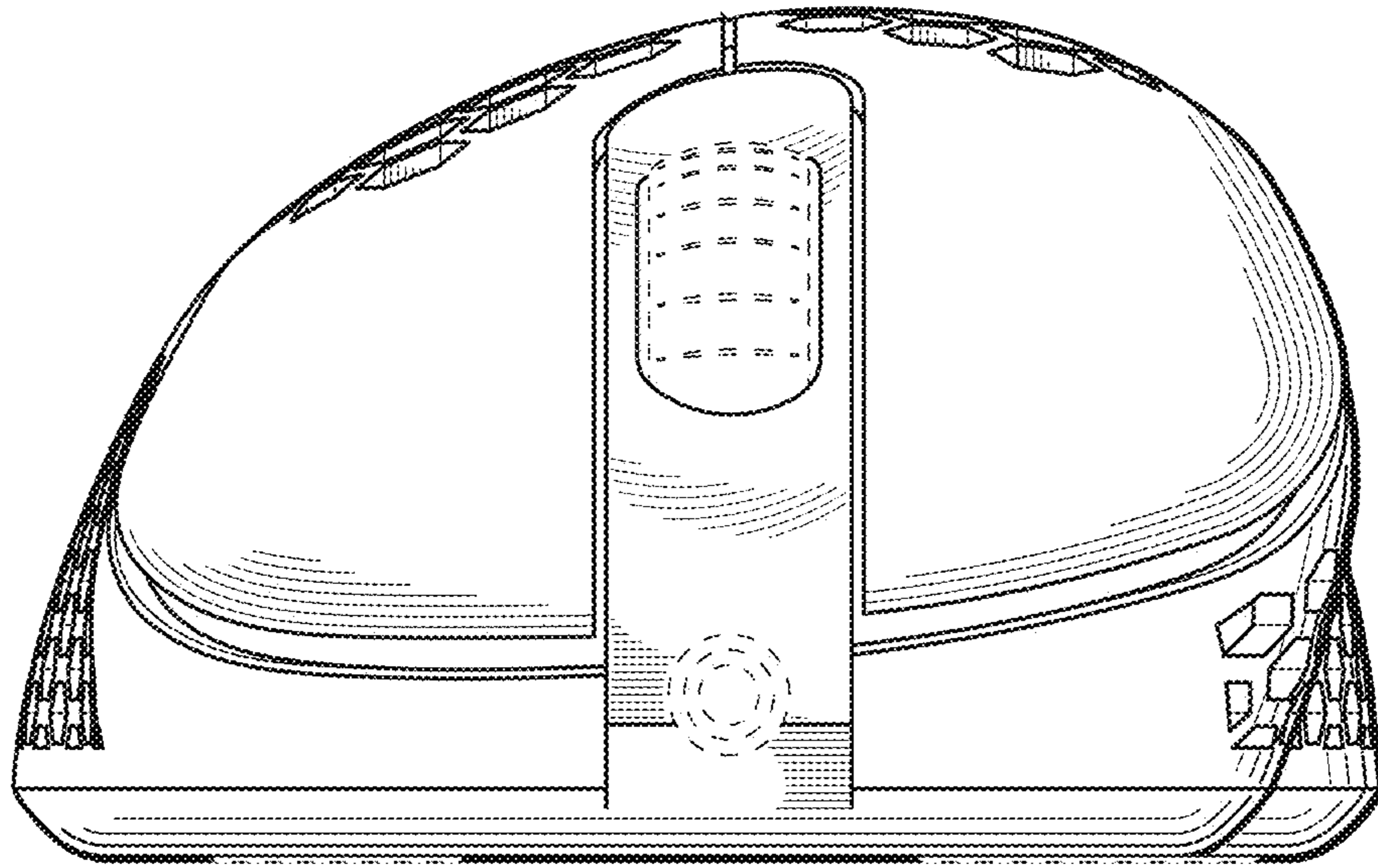


FIG. 3

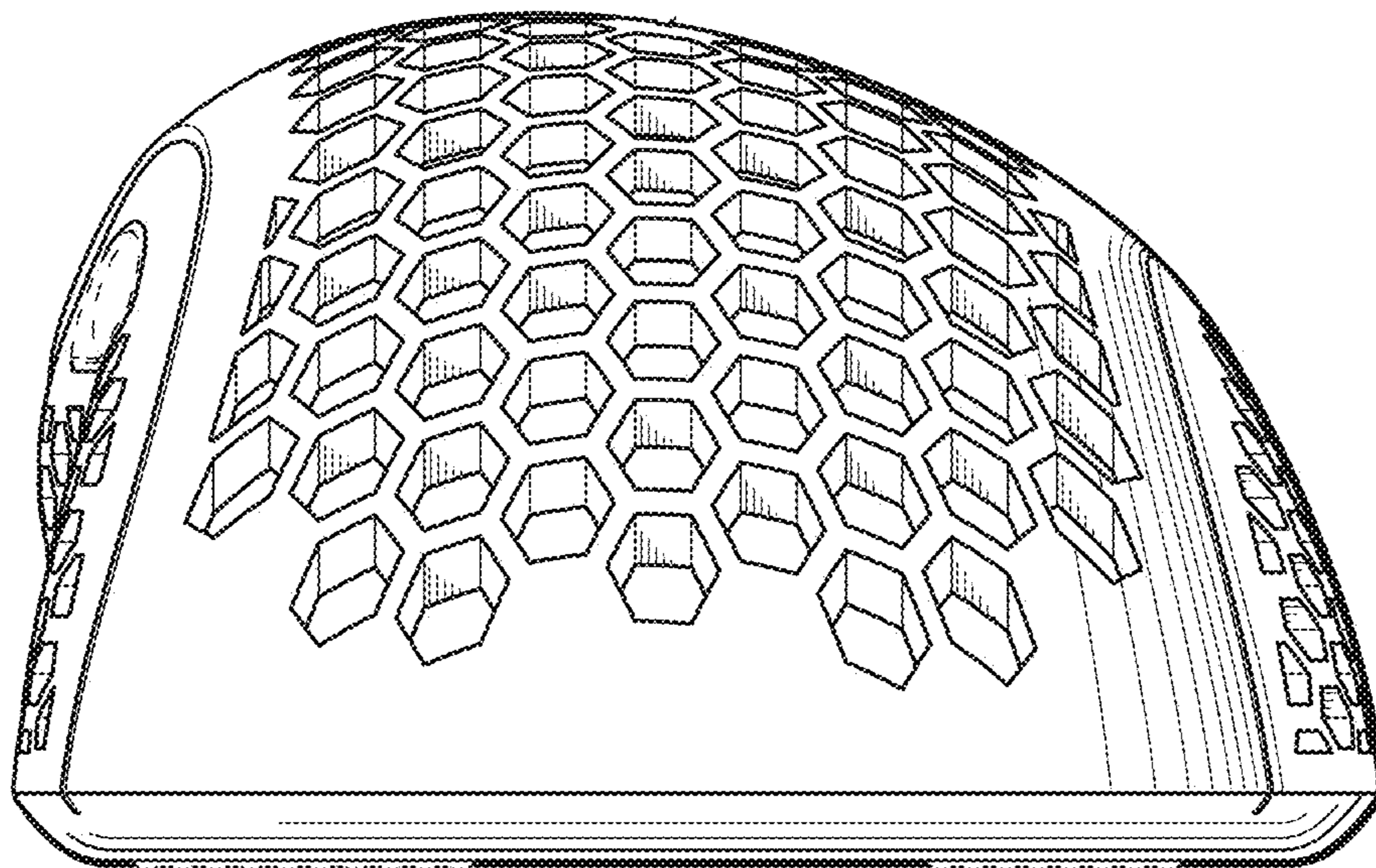
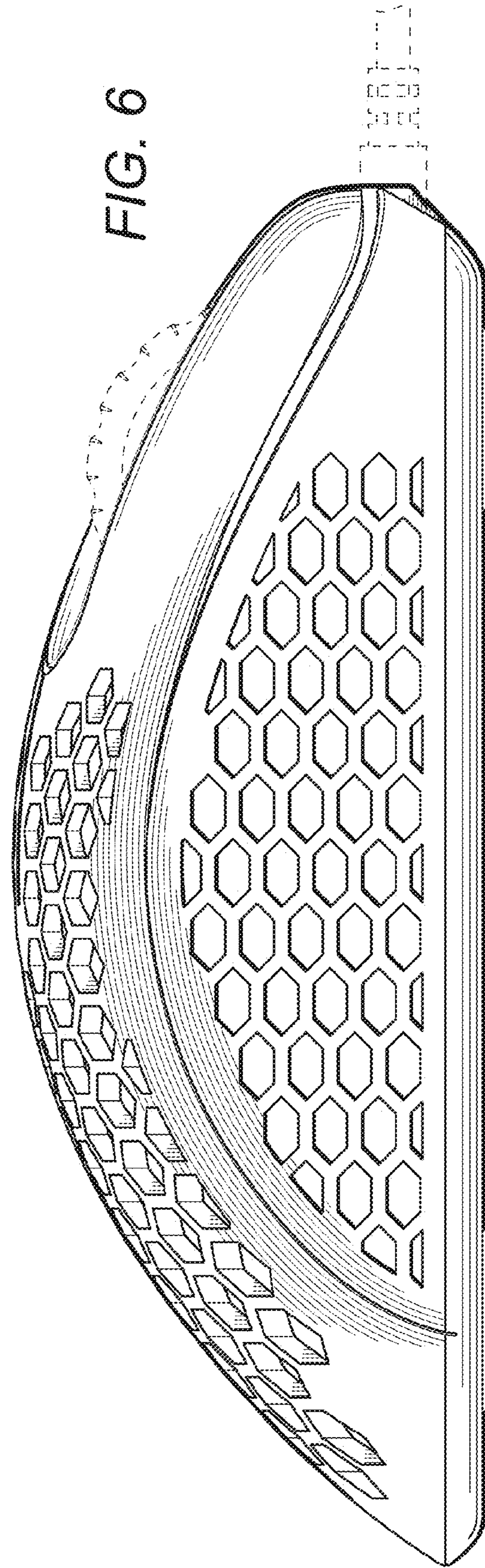
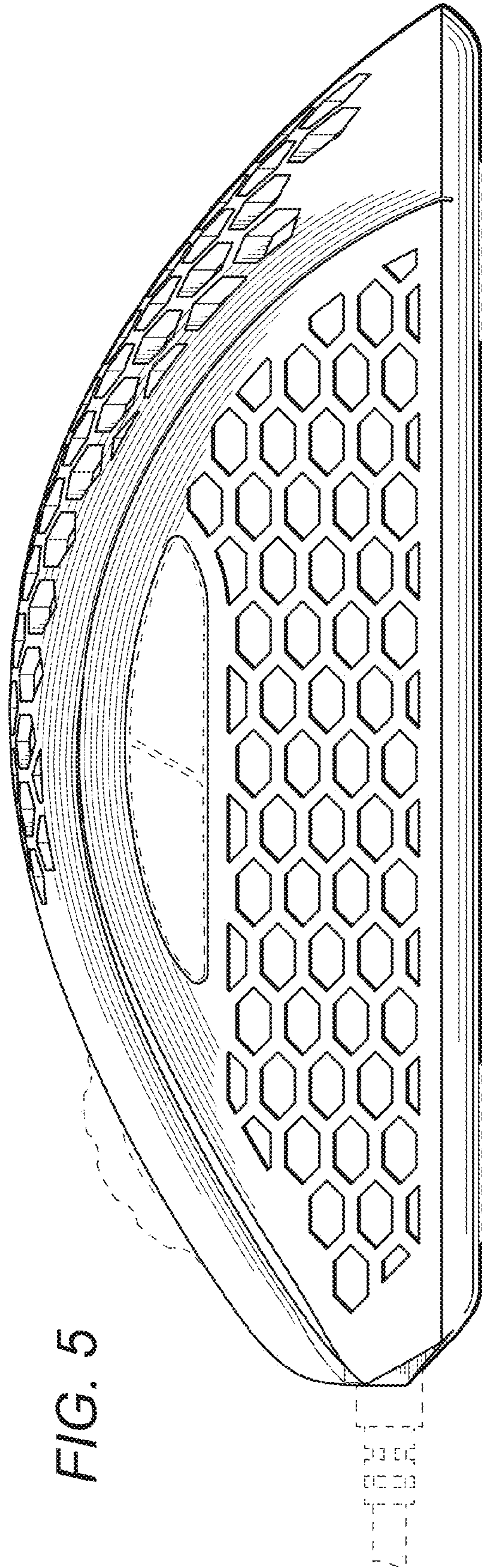


FIG. 4







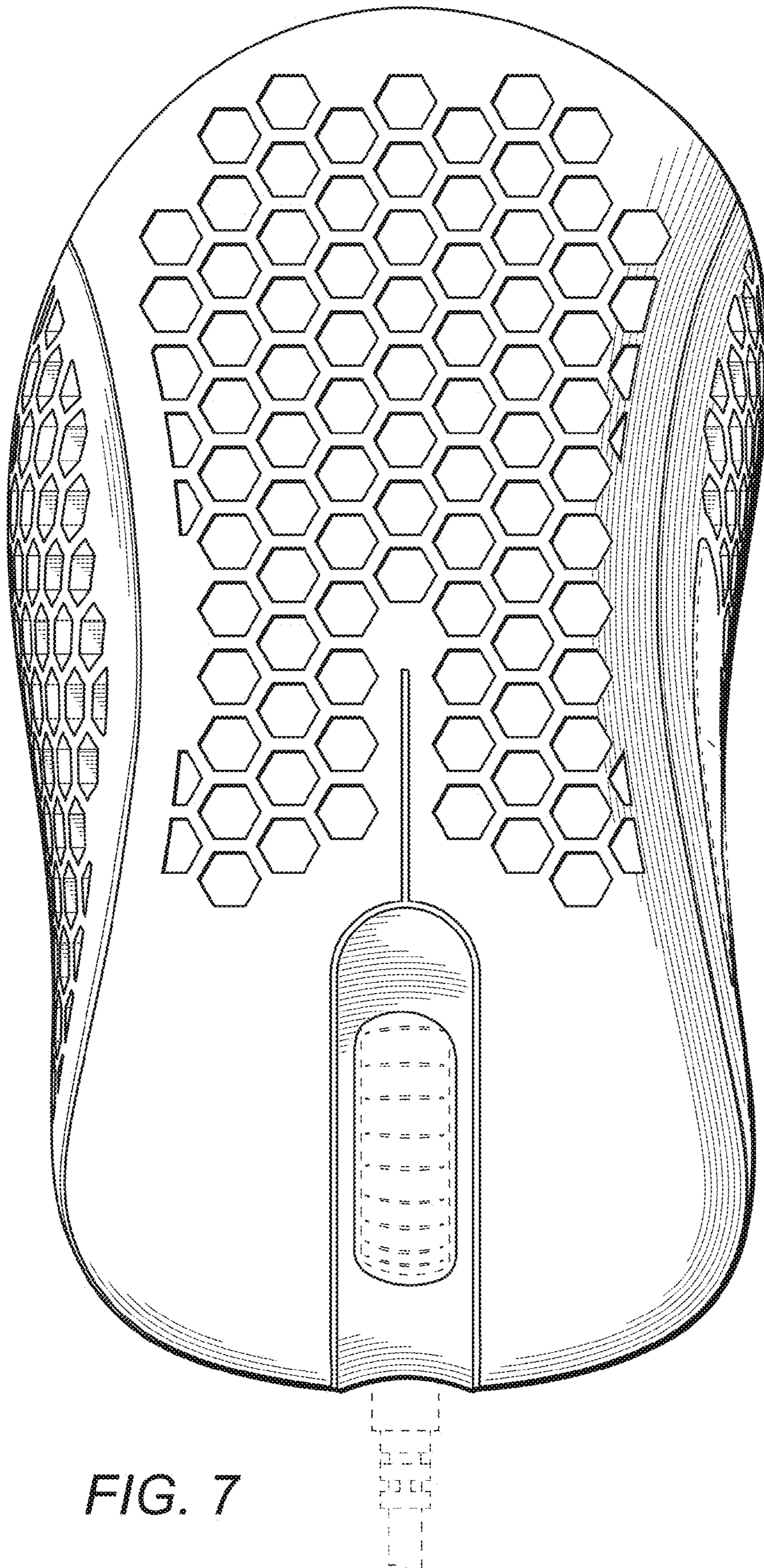


FIG. 7

FIG. 8

