



US00D913283S

(12) **United States Design Patent**  
**Huang et al.**

(10) **Patent No.:** **US D913,283 S**  
(45) **Date of Patent:** **\*\* Mar. 16, 2021**

(54) **DISPLAY SCREEN**

(71) Applicant: **Promethean Limited**, Blackburn (GB)

(72) Inventors: **Paul Huang**, Fuzhou (CN); **Melanie Friar**, Warrington (GB); **Chris Dawson**, Blackburn (GB)

(73) Assignee: **Promethean Limited**, Blackburn (GB)

(\*\*) Term: **15 Years**

(21) Appl. No.: **29/677,478**

(22) Filed: **Jan. 21, 2019**

(51) **LOC (13) Cl.** ..... **14-02**

(52) **U.S. Cl.**

USPC ..... **D14/371**

(58) **Field of Classification Search**

USPC .... D14/315-327, 371, 479, 150, 168, 203.4,  
D14/203.6, 247, 305-307, 331, 345-346,  
D14/374-377, 391-399, 401, 429, 434,  
D14/440, 455-457, 477, 507, 509;  
D21/324, 409, 512, 515; D10/46, 52-53,  
D10/106.1, 106.95, 123, 125; 341/22-23;  
D12/114, 415; D13/162, 164, 173, 177  
CPC ..... B41J 5/00; B41J 5/10; B41J 5/12; F16M  
11/10; G06F 3/0219; G06F 3/02; G06F  
1/16; G06F 1/1616; H01R 35/02  
See application file for complete search history.

(56) **References Cited**

**U.S. PATENT DOCUMENTS**

D316,378 S \* 4/1991 Liantonio ..... D10/106.1  
D327,061 S \* 6/1992 Soren ..... D13/164  
D380,446 S \* 7/1997 Chou ..... D13/162.1  
D440,558 S \* 4/2001 Fishman ..... D14/217

(Continued)

**FOREIGN PATENT DOCUMENTS**

CN 301967612 \* 6/2012  
CN 305372540 \* 10/2019

(Continued)

**OTHER PUBLICATIONS**

Activ Panel Titanium, Promethean, prometheanworld.com, author unlisted, published on Sep. 2, 2019 © 2020 Promethean Limited, online, site visited Jun. 4, 2020. Available at URL: <https://www.prometheanworld.com/products/interactive-displays/activpanel-elements-series/activpanel-titanium/> (Year: 2019).\*

(Continued)

*Primary Examiner* — Marissa J Cash

*Assistant Examiner* — Altaira J Swangin

(74) *Attorney, Agent, or Firm* — Brient IP Law, LLC

(57) **CLAIM**

The ornamental design for a display screen, as shown and described.

**DESCRIPTION**

FIG. 1 is a front perspective view of a display screen, showing the new design.

FIG. 2 is a front elevation view of the display screen shown in FIG. 1.

FIG. 3 is a rear elevation view of the display screen shown in FIG. 1.

FIG. 4 is a left side elevation view of the display screen shown in FIG. 1.

FIG. 5 is a right side elevation view of the display screen shown in FIG. 1.

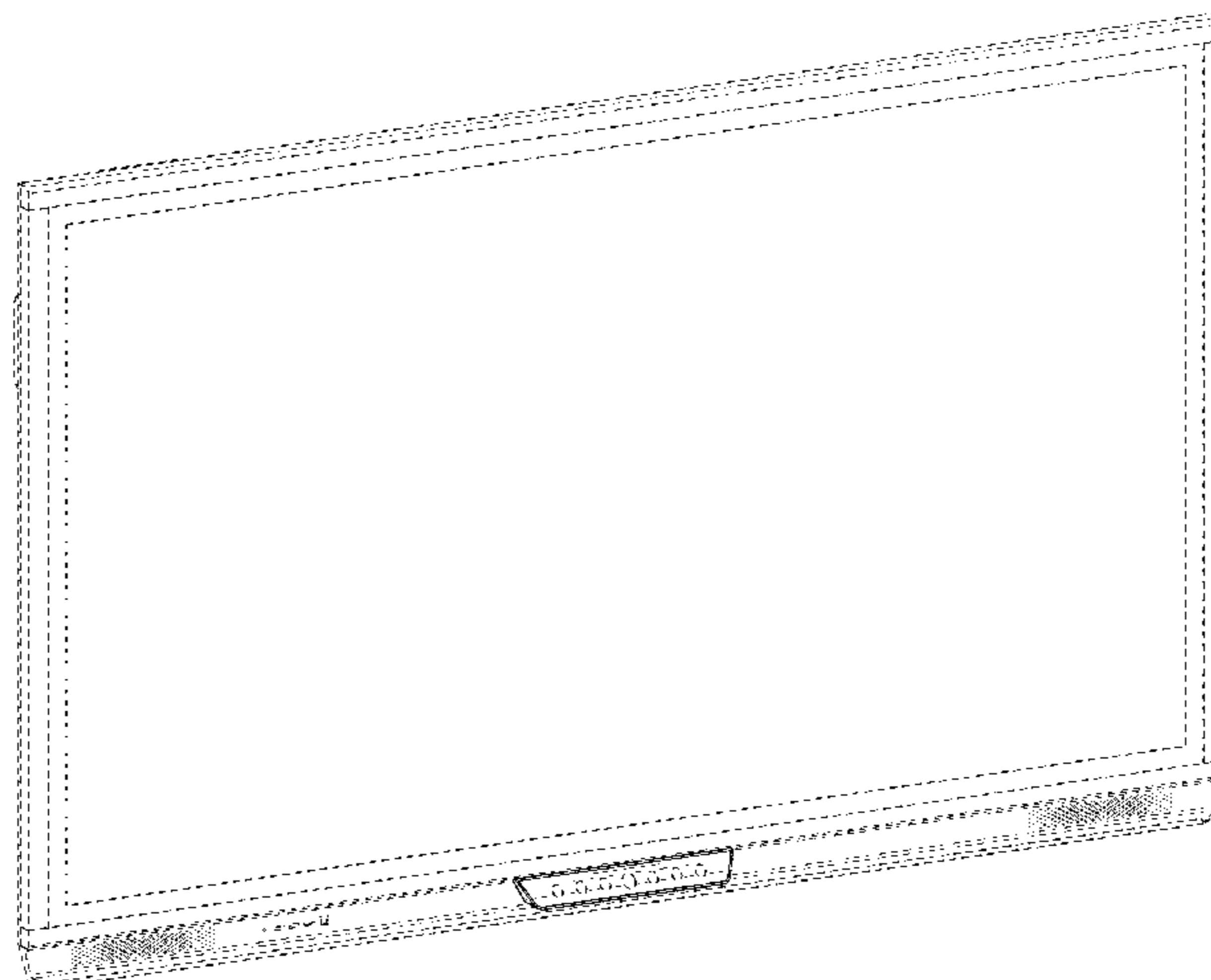
FIG. 6 is a top plan view of the display screen shown in FIG. 1.

FIG. 7 is a bottom plan view of the display screen shown in FIG. 1; and,

FIG. 8 is a detail view of the display screen shown in FIG. 1.

The broken lines shown in the Figures are for the purposes of illustrating environment only and form no part of the claimed design.

**1 Claim, 6 Drawing Sheets**



(56)

References Cited

U.S. PATENT DOCUMENTS

D442,561 S \* 5/2001 Camarota ..... D13/162  
 D508,427 S \* 8/2005 Kaczmarek ..... D10/104.1  
 D628,199 S \* 11/2010 Yukikado ..... D14/371  
 D704,185 S \* 5/2014 Bowers ..... D14/315  
 D705,720 S \* 5/2014 Lee ..... D13/103  
 D705,741 S \* 5/2014 Porter ..... D13/162  
 D740,278 S \* 10/2015 Bowers ..... D14/315  
 D741,780 S \* 10/2015 Lee ..... D12/415  
 D764,357 S \* 8/2016 Hinsey ..... D12/114  
 D820,221 S \* 6/2018 Yang ..... D13/164  
 D823,231 S \* 7/2018 Yancey ..... D12/415  
 D825,493 S \* 8/2018 Chen ..... D13/164  
 D833,981 S \* 11/2018 Seal ..... D13/162  
 D846,503 S \* 4/2019 Yang ..... D13/162  
 D846,504 S \* 4/2019 Yang ..... D13/162  
 D847,100 S \* 4/2019 Yang ..... D13/162  
 D851,603 S \* 6/2019 Shen ..... D13/162  
 D859,073 S \* 9/2019 Funnell, II ..... D7/406  
 D859,329 S \* 9/2019 Yamamoto ..... D13/177

D859,330 S \* 9/2019 Yamamoto ..... D13/177  
 2020/0233548 A1 \* 7/2020 Baker ..... H04L 67/10  
 2020/0233572 A1 \* 7/2020 Healy ..... G06T 7/60

FOREIGN PATENT DOCUMENTS

EM 001429005-0003 \* 4/2015  
 EM 006636676-0001 \* 10/2019

OTHER PUBLICATIONS

LCD19-09 Replacement Side Button Panel Board, Insignia TV, amazon.com, published by Insignia TV on Oct. 13, 2017 © 1996-2020 Amazon.com, Inc., online, site visited Jun. 4, 2020. Available at URL: <https://www.amazon.ca/Insignia-Television-NS-LCD19-09-Replacement-715T2833-1/dp/B075SRTMDC> (Year: 2017).  
 ELEFT502 Power Button Board, Element, amazon.com, published by Element on Apr. 23, 2016 © 1996-2020 Amazon.com, Inc., online, site visited Jun. 4, 2020. Available from Internet, URL: <https://www.amazon.com/ELEMENT-ELEFT502-Power-Button-GKB-820-2694/dp/B076B75GWR> (Year: 2016).\*

\* cited by examiner

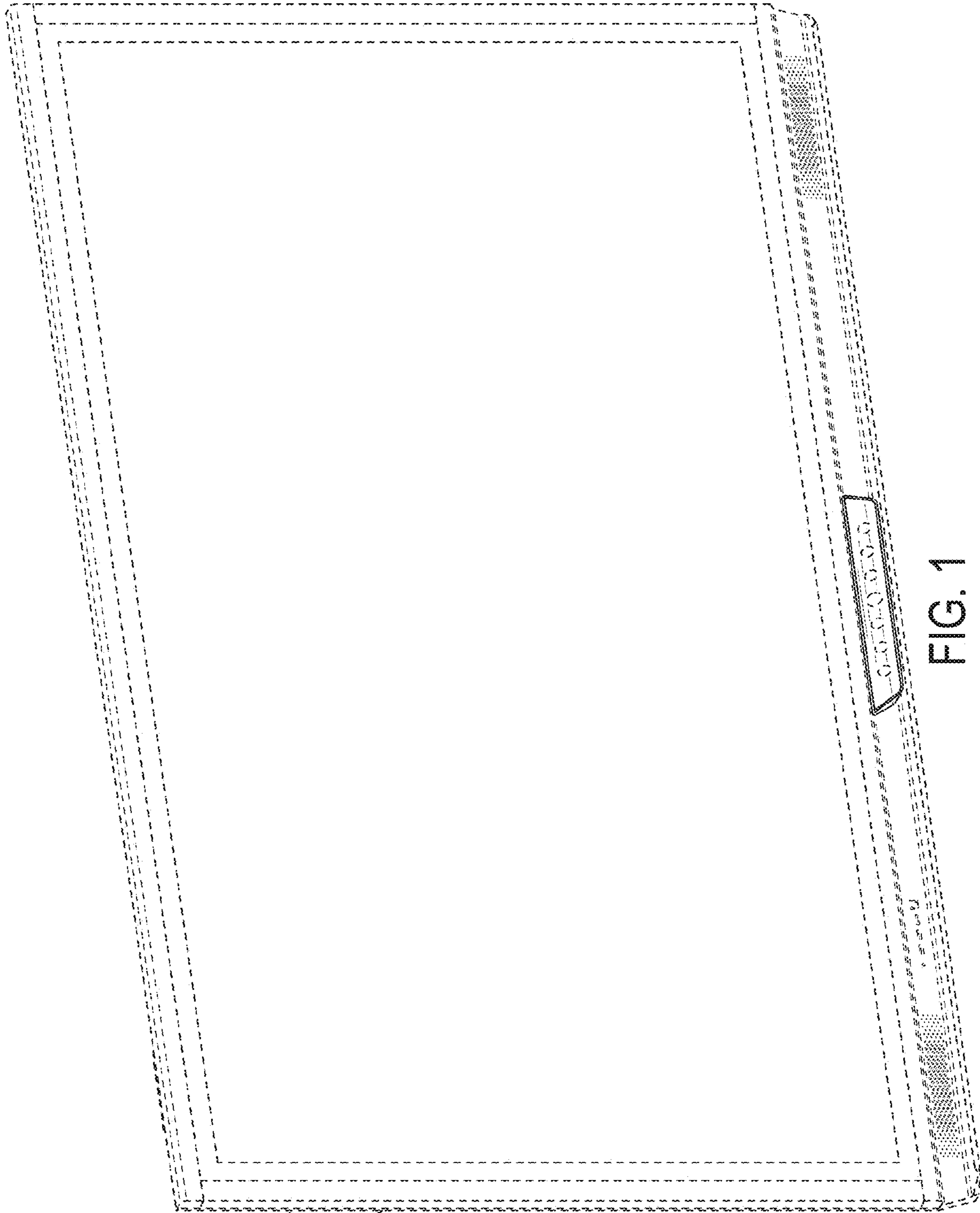


FIG. 1

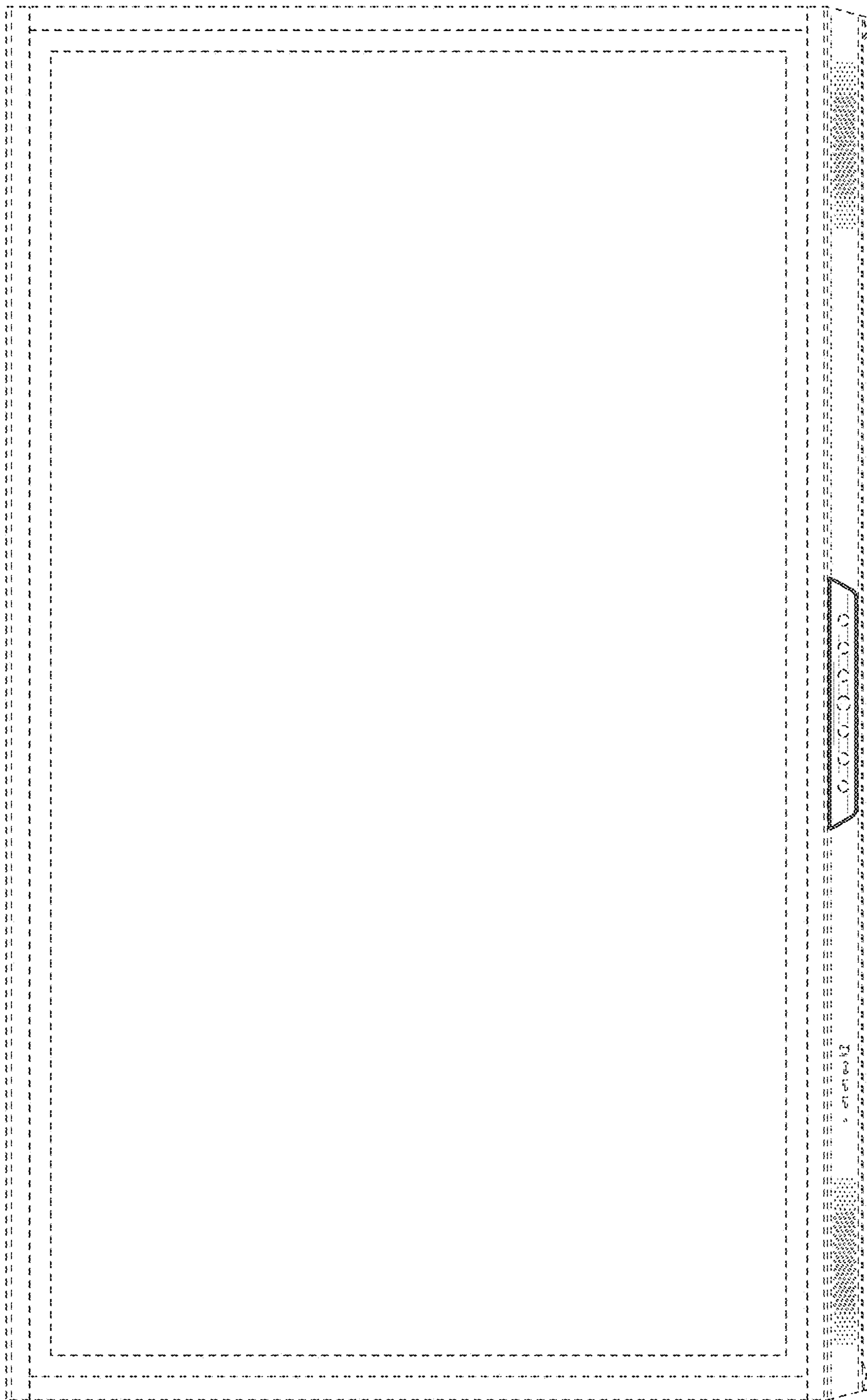


FIG. 2

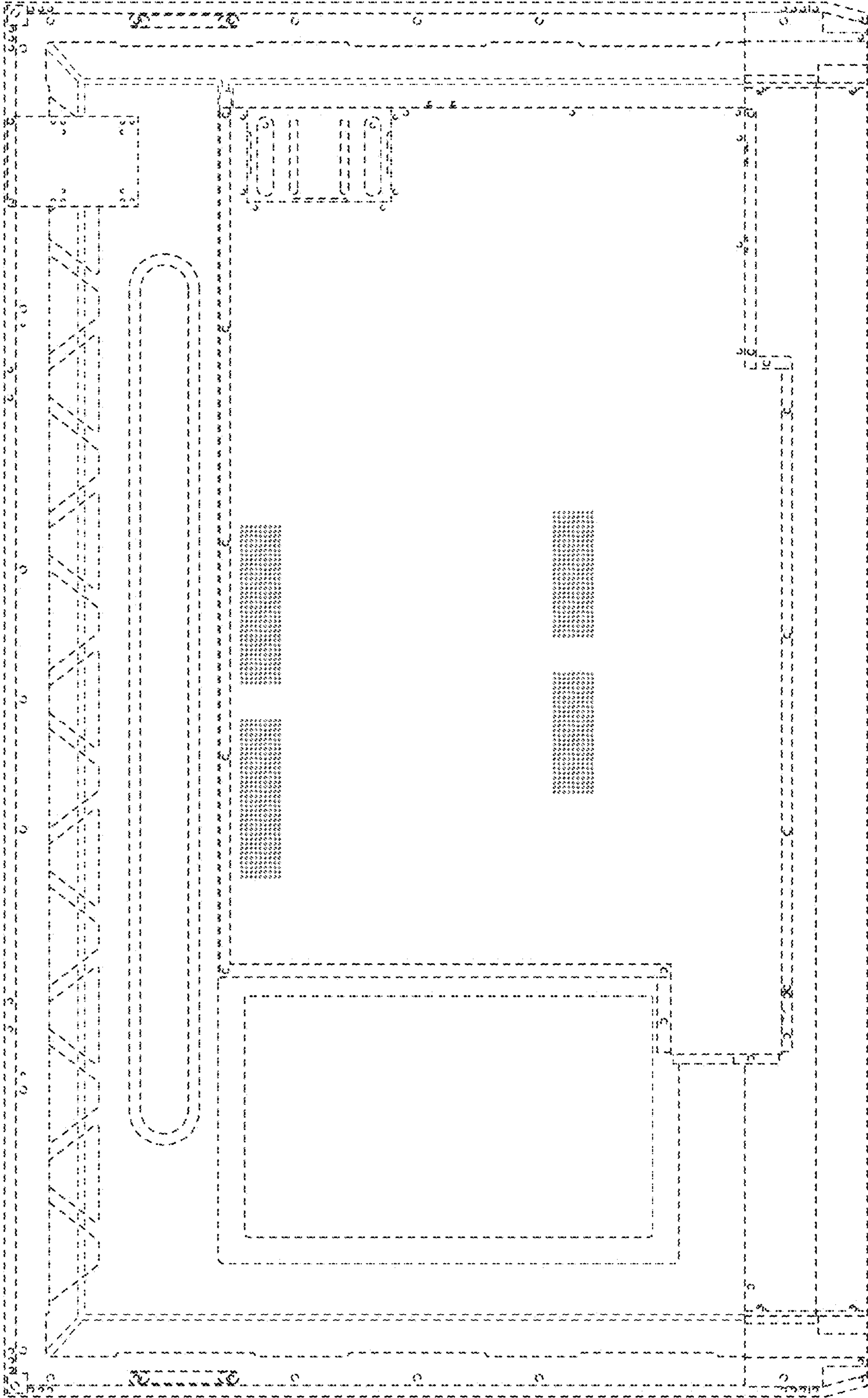


FIG. 3

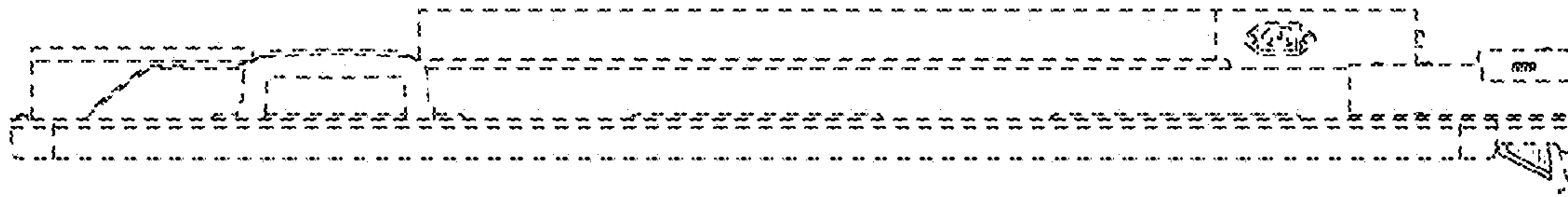


FIG. 5

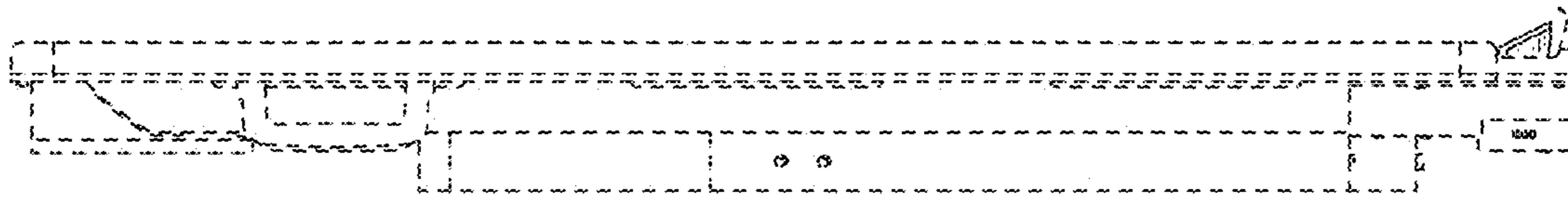


FIG. 4

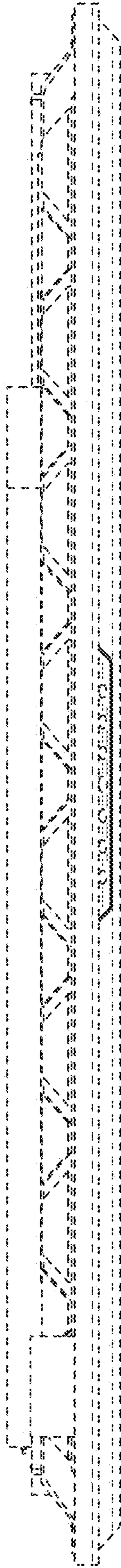


FIG. 6

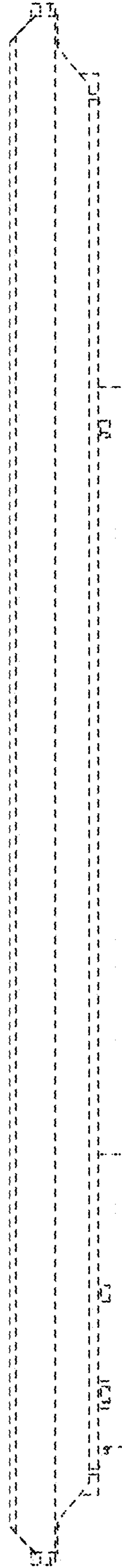


FIG. 7

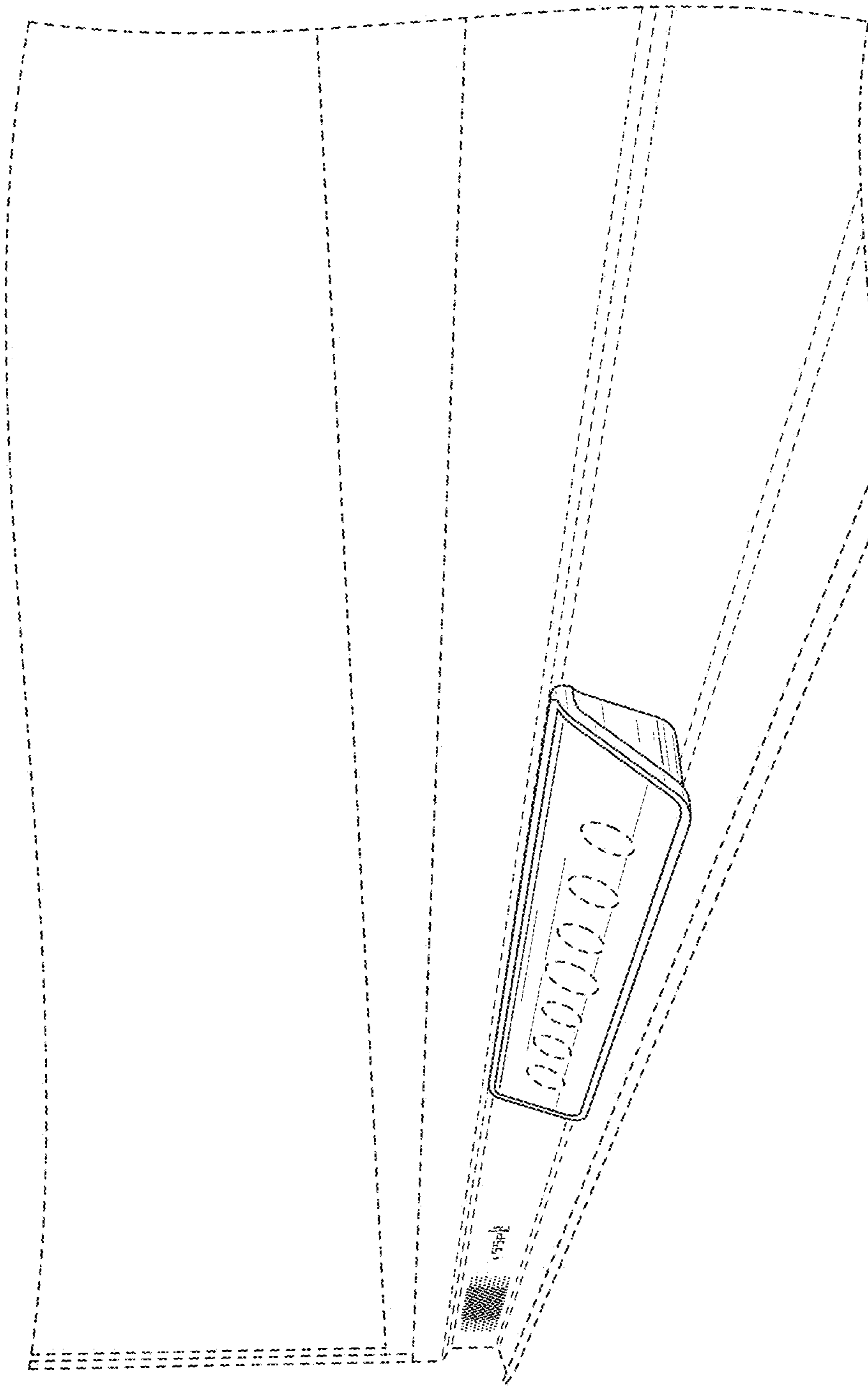


FIG. 8