



US00D913282S

(12) **United States Design Patent**
Song

(10) **Patent No.:** **US D913,282 S**
(45) **Date of Patent:** **** Mar. 16, 2021**

(54) **DISPLAY DEVICE**

(71) Applicant: **Samsung Display Co., Ltd.**, Yongin-si (KR)

(72) Inventor: **Ju Hee Song**, Anyang-si (KR)

(73) Assignee: **Samsung Display Co., Ltd.**, Yongin-si (KR)

(**) Term: **15 Years**

(21) Appl. No.: **29/647,184**

(22) Filed: **May 10, 2018**

(30) **Foreign Application Priority Data**

Nov. 13, 2017 (KR) 30-2017-0052858

(51) **LOC (13) Cl.** **14-02**

(52) **U.S. Cl.**
USPC **D14/345**; D14/331; D14/371

(58) **Field of Classification Search**
USPC D14/132, 138 AB, 315, 317, 318, 331, D14/336, 338-339, 341, 371, 373-374, D14/391-396, 400, 432, 448-449
CPC G06F 1/1641; G06F 1/1647; G06F 1/1692; H04M 1/02; H04M 1/022; H04M 1/0295; H04M 2201/50

See application file for complete search history.

(56) **References Cited**

U.S. PATENT DOCUMENTS

- 7,697,965 B2 * 4/2010 Li H04M 1/0237 379/337
- D650,380 S * 12/2011 Ballout D14/331
- 8,493,730 B2 7/2013 Shim et al.
- 8,587,539 B2 11/2013 Tziortzis et al.
- D713,841 S * 9/2014 Lim D14/341
- 8,896,202 B2 11/2014 Oh
- D719,542 S * 12/2014 Lee D14/138 AB

(Continued)

FOREIGN PATENT DOCUMENTS

- KR 10-2016-0004316 A 1/2016
- KR 10-2016-0025888 A 3/2016

(Continued)

OTHER PUBLICATIONS

The DRAS Phone a Truly Foldable Smartphone | posted at core77.com; phone circa 2015 [online]. © 2020 Core77, Inc. [retrieved Jul. 1, 2020] from Internet: <https://www.core77.com/projects/42065/The-DRAS-Phone-a-Truly-Foldable-Smartphone (Year: 2015).*

(Continued)

Primary Examiner — Katherine Glennon

(74) *Attorney, Agent, or Firm* — Lewis Roca Rothgerber Christie LLP

(57) **CLAIM**

The ornamental design for a display device, as shown and described.

DESCRIPTION

FIG. 1 is a perspective view of a display device in a folded state having a keyboard in a retracted position, according to the present design;

FIG. 2 is a front view thereof;

FIG. 3 is a rear view thereof;

FIG. 4 is a left side view thereof;

FIG. 5 is a right side view thereof;

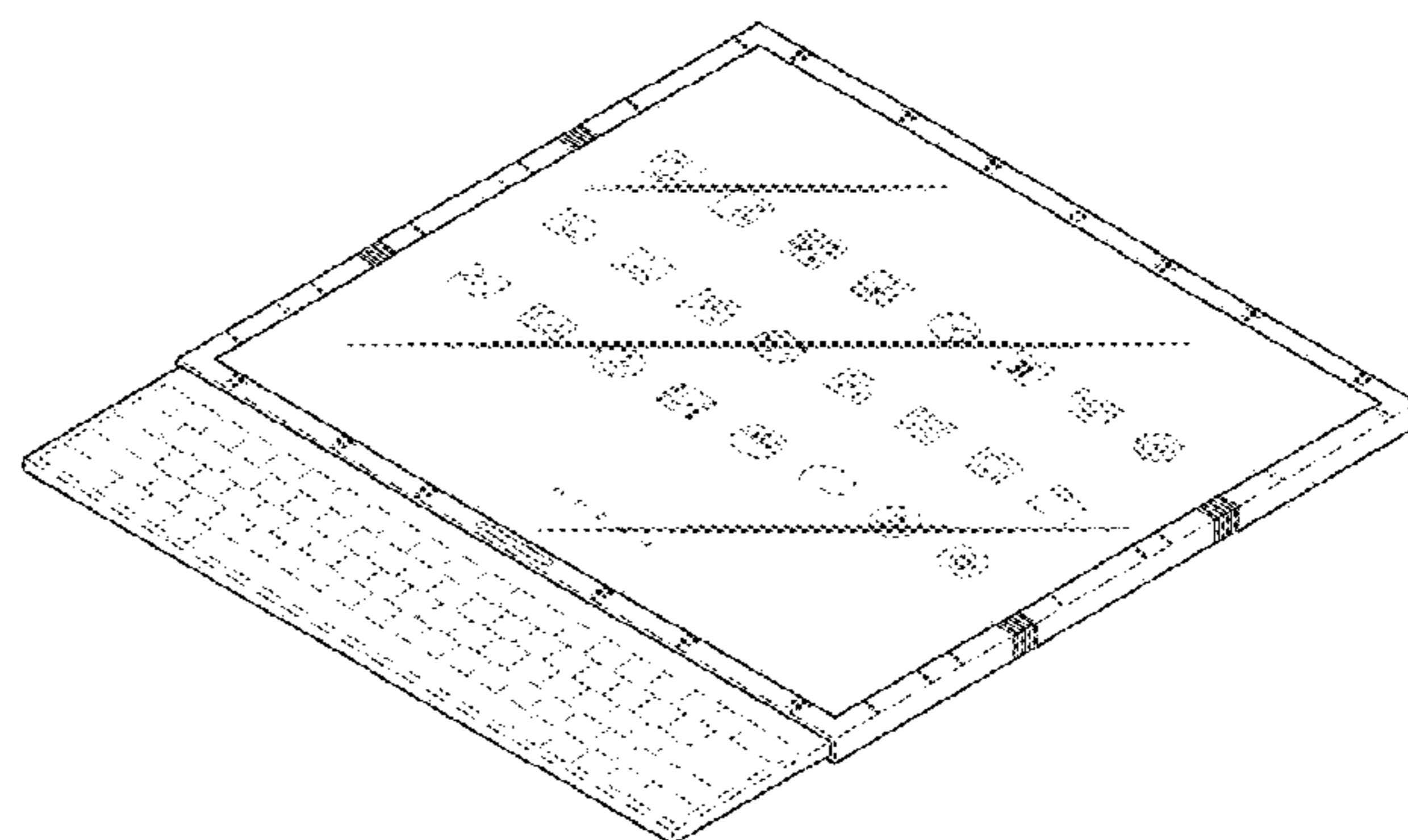
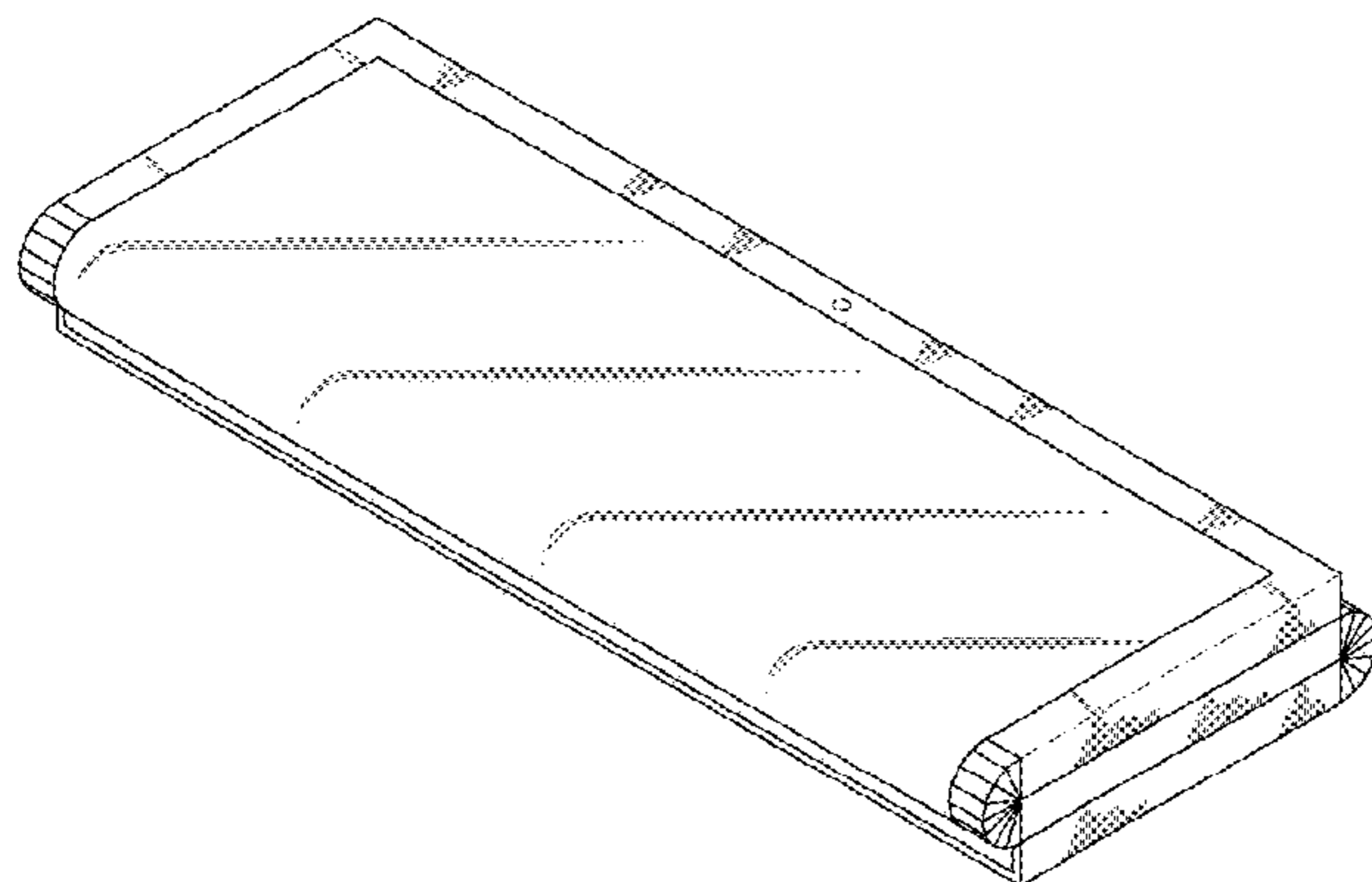
FIG. 6 is a top view thereof;

FIG. 7 is a bottom view thereof; and,

FIG. 8 is a perspective view of the display device when the display device is in an unfolded state having the keyboard protrude from the display device.

The broken lines shown in the drawings represent portions of the display device that form no part of the claimed design.

1 Claim, 8 Drawing Sheets



(56)

References Cited

U.S. PATENT DOCUMENTS

9,052,769 B2 6/2015 Choi et al.
 D741,856 S * 10/2015 Yamazaki D14/341
 9,179,559 B1 * 11/2015 Kim G06F 1/1616
 D745,006 S * 12/2015 Hirakata D14/341
 D745,516 S * 12/2015 Yamazaki D14/341
 D750,036 S 2/2016 Endo et al.
 D750,064 S * 2/2016 Yamazaki D14/341
 D757,723 S 5/2016 Kwak et al.
 D760,218 S 6/2016 Yamazaki
 D760,219 S * 6/2016 Yamazaki D14/341
 D761,251 S 7/2016 Senda
 D761,252 S 7/2016 Senda
 D761,253 S 7/2016 Yamazaki
 D761,254 S 7/2016 Yamazaki et al.
 D761,787 S 7/2016 Yamazaki
 D761,788 S 7/2016 Yamazaki
 D761,789 S 7/2016 Yamazaki
 D761,790 S 7/2016 Yamazaki
 D767,526 S 9/2016 Lee et al.
 D767,530 S 9/2016 Bae et al.
 D768,624 S * 10/2016 Bae D14/331
 D769,209 S * 10/2016 Byun D14/138 AB
 D770,447 S * 11/2016 Endo D14/341
 D780,179 S * 2/2017 Bae D14/374
 D789,922 S * 6/2017 Yamazaki D14/341
 9,733,744 B2 * 8/2017 Lee G06F 3/0412
 D811,393 S * 2/2018 Ahn D14/371
 10,043,421 B2 * 8/2018 Koo G06F 1/1615
 D833,431 S * 11/2018 Bae D14/345
 D839,267 S * 1/2019 Park D14/345
 D883,943 S * 5/2020 Oh D14/138 AB
 2003/0218860 A1 * 11/2003 Shiraiwa G06F 1/1616
 361/679.04
 2005/0213744 A1 * 9/2005 Valli H04M 1/0247
 379/368
 2008/0062625 A1 * 3/2008 Batio G06F 1/1615
 361/679.29

2010/0201604 A1 * 8/2010 Kee G06F 1/1641
 345/1.3
 2012/0140395 A1 * 6/2012 Zhou G06F 1/1605
 361/679.09
 2013/0010405 A1 * 1/2013 Rothkopf H04M 1/0216
 361/679.01
 2013/0033807 A1 * 2/2013 Kim G06F 1/1632
 361/679.01
 2013/0250492 A1 * 9/2013 Wong G06F 1/1641
 361/679.01
 2014/0218321 A1 8/2014 Lee et al.
 2014/0321072 A1 10/2014 Cavallaro et al.
 2015/0109544 A1 4/2015 Yeo et al.
 2015/0146386 A1 5/2015 Namkung et al.
 2015/0146387 A1 5/2015 Lee
 2016/0195901 A1 * 7/2016 Kauhaniemi G06F 1/1681
 361/679.27

FOREIGN PATENT DOCUMENTS

KR 10-2016-0055416 A 5/2016
 KR 10-2016-0074815 A 6/2016
 KR 10-2016-0080034 A 7/2016
 KR 10-2016-0103599 A 9/2016

OTHER PUBLICATIONS

Web Archive—The DRAS Phone | captured by web.archive.org
 Nov. 2015 [online]. [retrieved Jul. 1, 2020] from Internet: <<https://web.archive.org/web/20151102021453/https://www.core77.com/projects/42065/The-DRAS-Phone-a-Truly-Foldable-Smartphone>>
 (Year: 2015).*
 TCL foldable phone | posted by Jessica Dolcourt at cnet.com Oct.
 2019 [online]. © [retrieved Jun. 22, 2020] from Internet: <<https://www.cnet.com/pictures/tcls-prototype-phone-folds-in-thirds/18/>> (Year:
 2019).*

* cited by examiner

FIG. 1

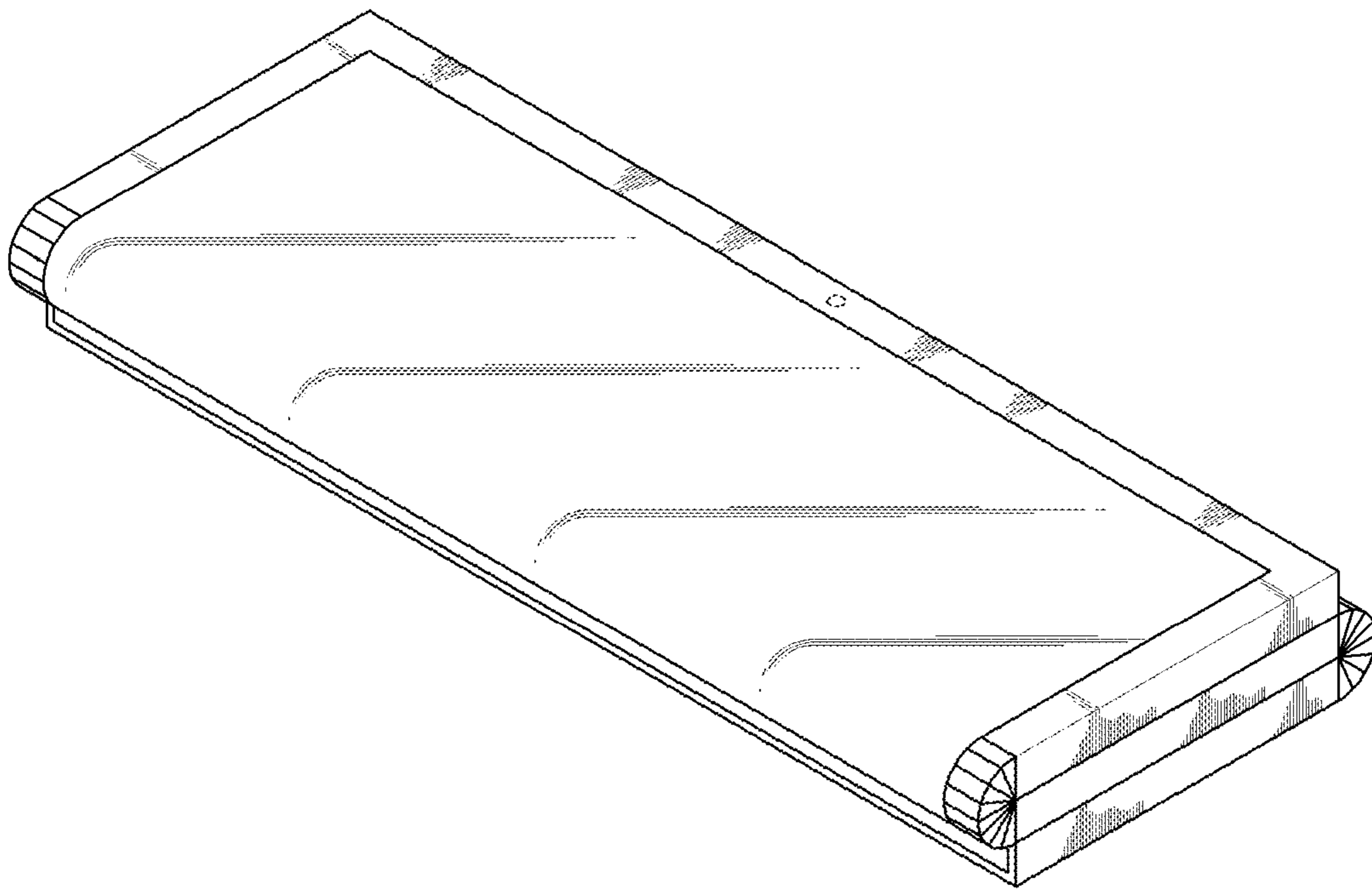


FIG. 2

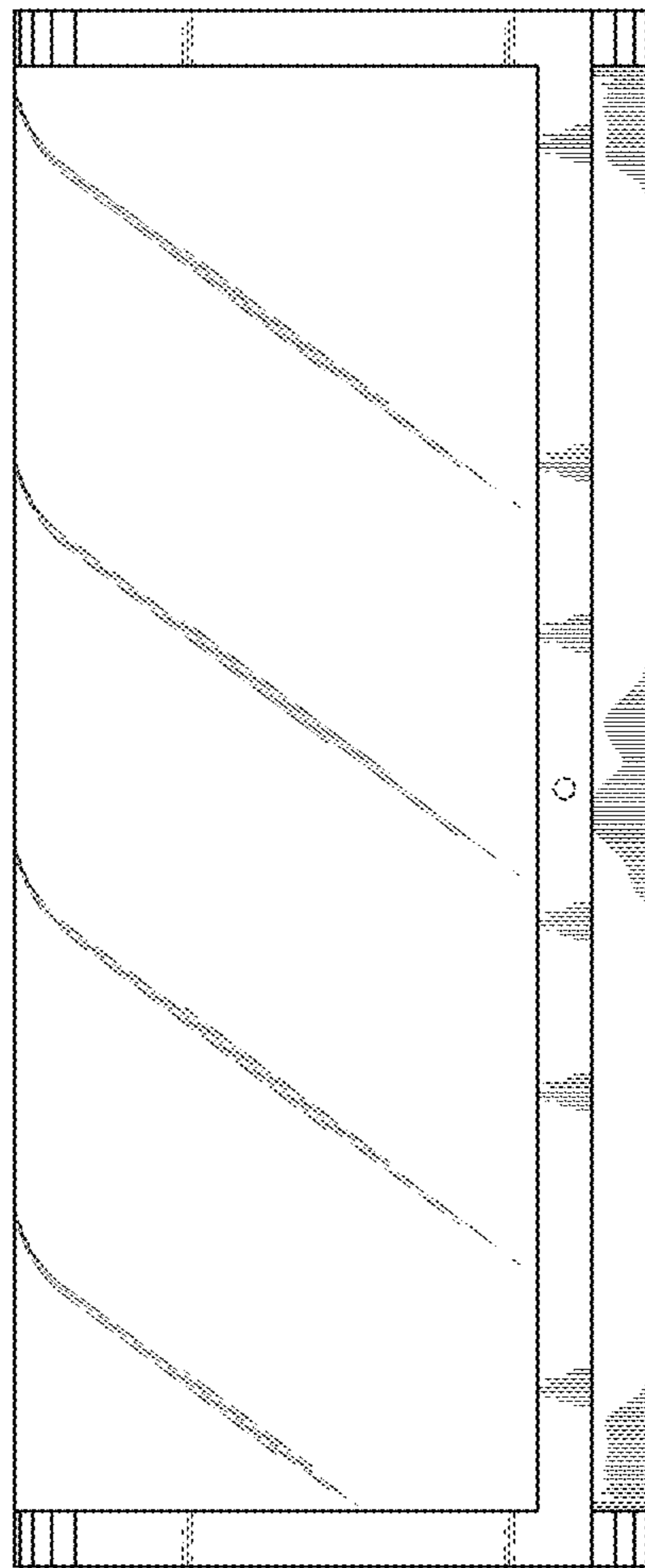


FIG. 3

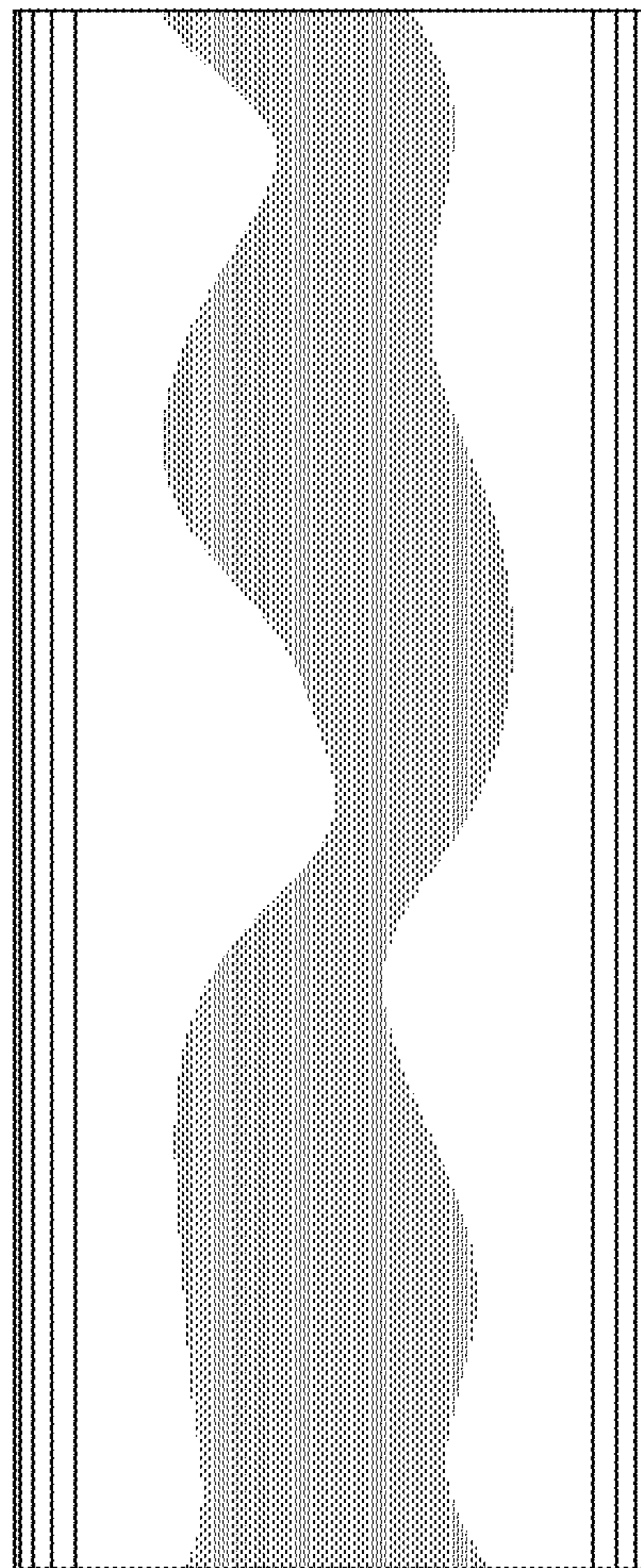


FIG. 4

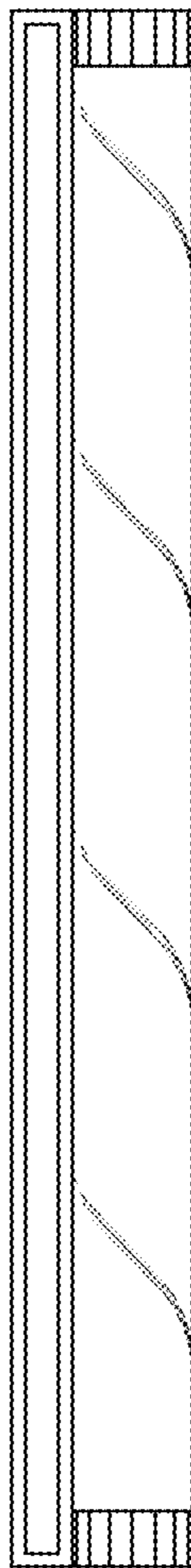


FIG. 5

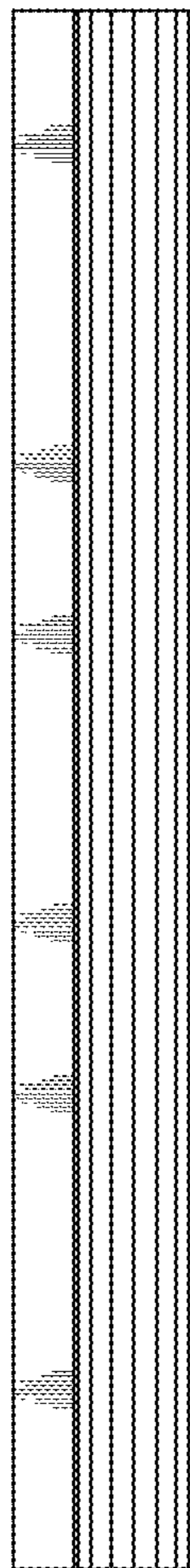


FIG. 6

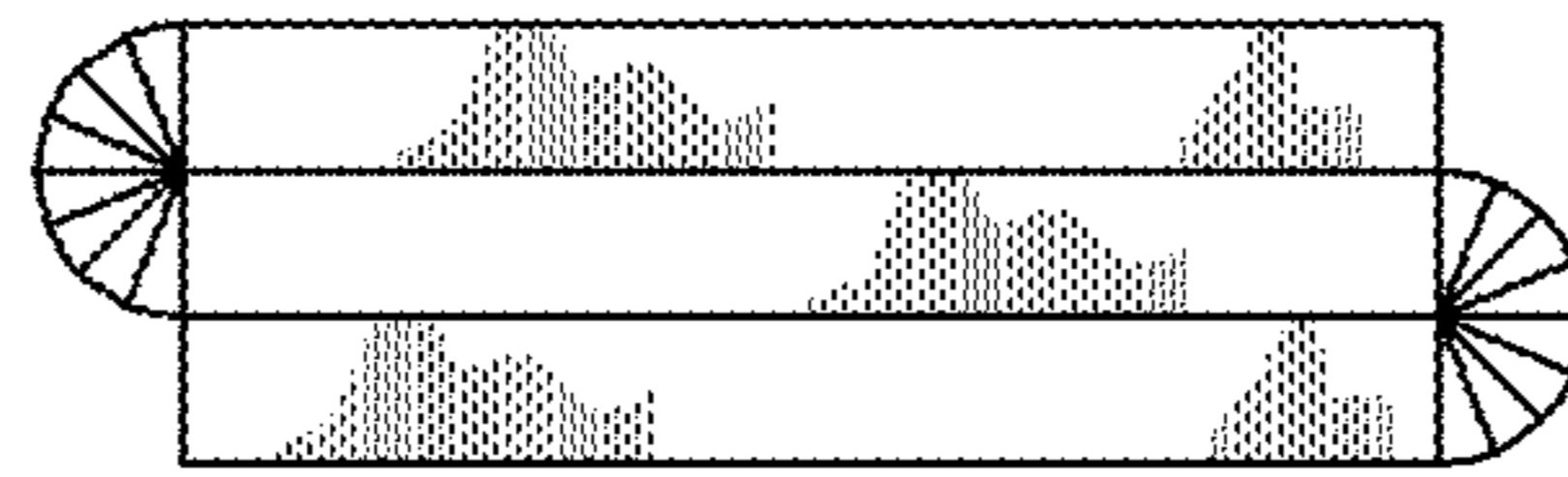


FIG. 7

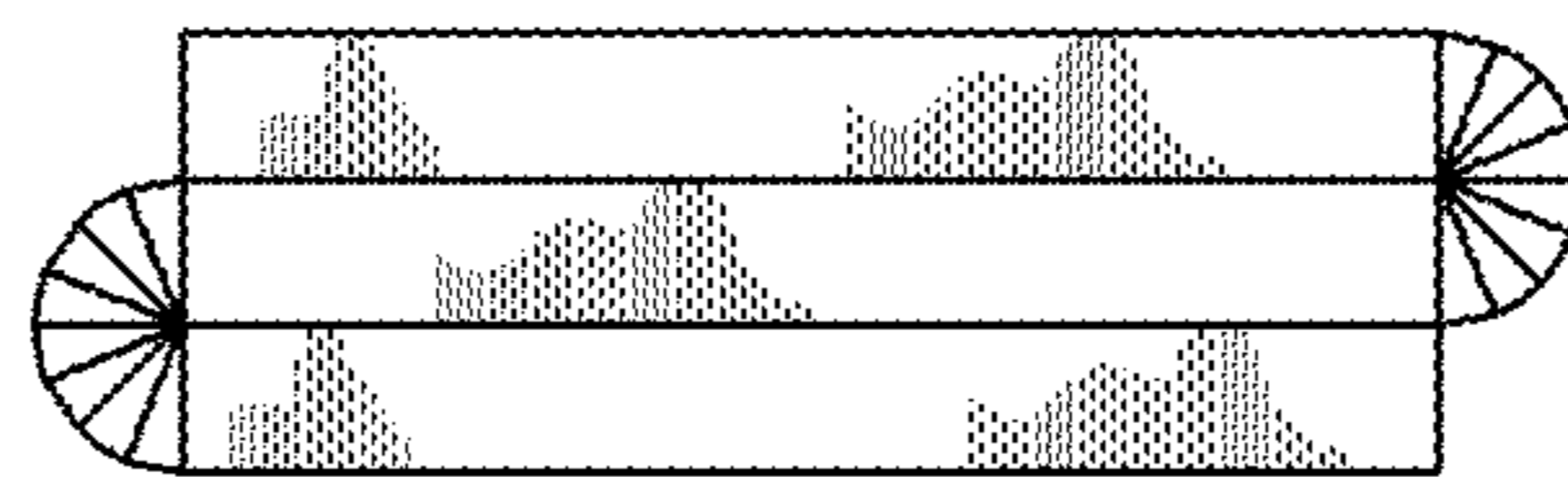


FIG. 8

