



US00D913281S

(12) **United States Design Patent**
Kang et al.

(10) **Patent No.:** **US D913,281 S**
(45) **Date of Patent:** **** Mar. 16, 2021**

(54) **TABLET COMPUTER**

(71) Applicant: **Samsung Electronics Co., Ltd.**,
Suwon-si (KR)

(72) Inventors: **Namhyun Kang**, Suwon-si (KR);
Inshik Kim, Suwon-si (KR); **Seungho Jang**,
Suwon-si (KR); **Junghee Yeo**, Suwon-si (KR)

(73) Assignee: **Samsung Electronics Co., Ltd.**,
Suwon-si (KR)

(**) Term: **15 Years**

(21) Appl. No.: **29/717,169**

(22) Filed: **Dec. 16, 2019**

(30) **Foreign Application Priority Data**

Jul. 25, 2019 (KR) 30-2019-0035697

(51) **LOC (13) Cl.** **14-02**

(52) **U.S. Cl.**
USPC **D14/341**

(58) **Field of Classification Search**
USPC D14/341, 388-389, 371, 374, 420, 426,
D14/129-130, 315-318, 342-347, 496;
D21/324, 329; D24/186; D10/104.4, 50,
D10/65, 74

CPC G06F 1/16; G06F 1/1632; G06F 1/1616;
G06F 1/1626; G06F 1/1658; G06F
1/1688; G06F 1/1613; G06F 2200/1633;
G06F 3/0488; G06F 3/04886; G06F
3/044; G06F 3/0412; G06F 3/0416;
H01M 10/44; F16M 11/10; F16M 11/02;
H05K 7/1465; A45C 2011/002; A45C
2011/003; H04B 1/3888; H04M 1/185

See application file for complete search history.

(56) **References Cited**

U.S. PATENT DOCUMENTS

D677,660 S * 3/2013 Groene D14/341
D736,764 S * 8/2015 Yagi D14/341

D747,308 S * 1/2016 Myung D14/341
D774,031 S * 12/2016 Otani D14/341
9,549,479 B2 * 1/2017 Gault G06F 1/1681
(Continued)

FOREIGN PATENT DOCUMENTS

JP D2017-502096 * 6/2017

OTHER PUBLICATIONS

Samsung's new tablet picks up Galaxy Note, iPad Pro, and PC features, first available Jul. 31, 2019, www.fastcompany.com, [online], [site visited Feb. 6, 2020], Available from internet URL: https://www.fastcompany.com/90383953/samsungs-new-tablet-picks-up-galaxy-note-ipad-pro-and-pc-features (Year: 2019).*

Primary Examiner — Samantha Q Lawrence
Assistant Examiner — Holly M Rodriguez
(74) *Attorney, Agent, or Firm* — NSIP Law

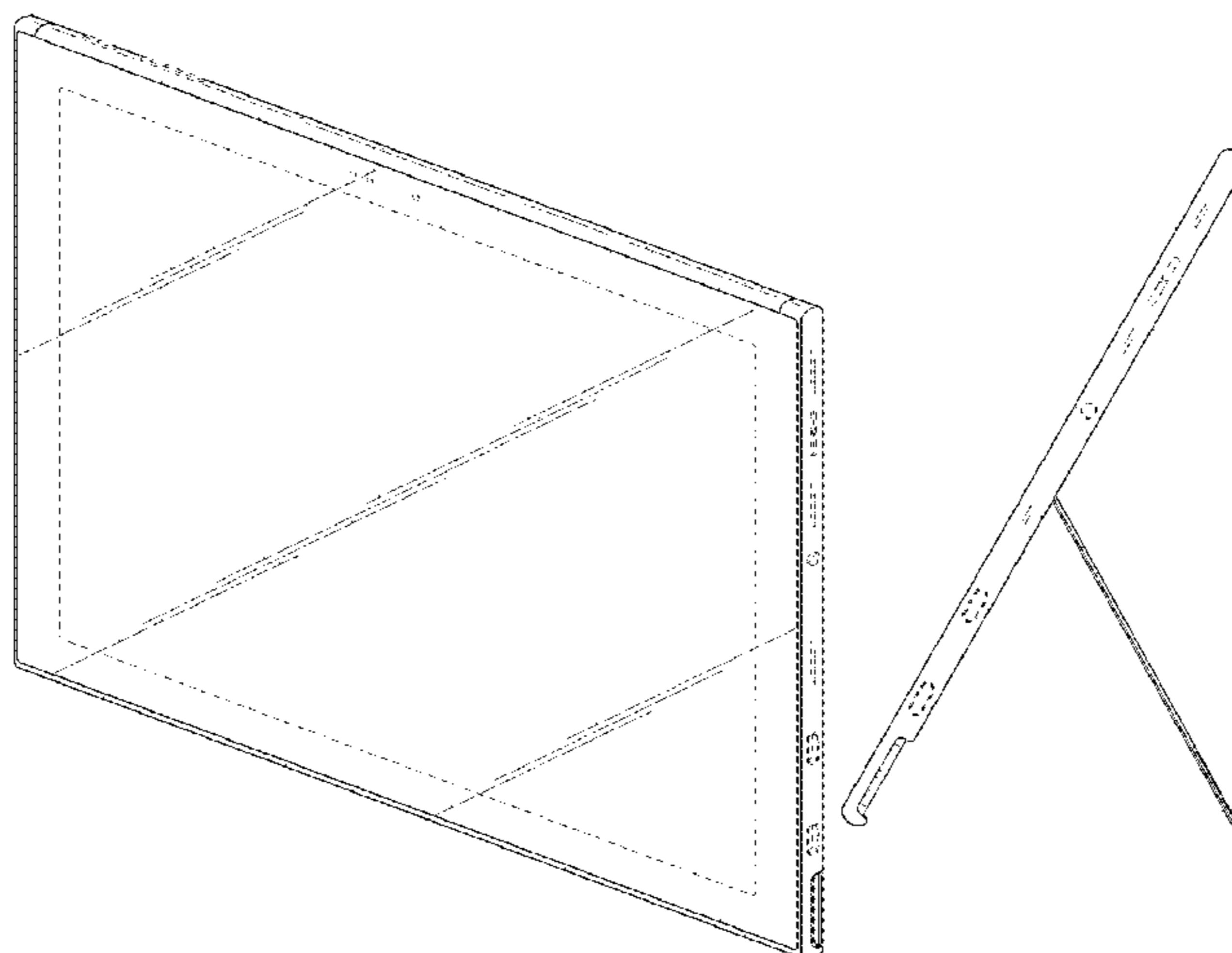
(57) **CLAIM**

We claim the ornamental design for a tablet computer, as shown and described.

DESCRIPTION

FIG. 1 is a front perspective view of a tablet computer showing our new design;
FIG. 2 is a front view thereof;
FIG. 3 is a rear view thereof;
FIG. 4 is a left-side view thereof;
FIG. 5 is a right-side view thereof;
FIG. 6 is a top view thereof;
FIG. 7 is a bottom view thereof;
FIG. 8 is a rear perspective view thereof; and,
FIG. 9 is another left-side view thereof shown in a state of use.
The broken lines in the figures depict portions of the tablet computer which form no part of the claimed design.

1 Claim, 5 Drawing Sheets



(56)

References Cited

U.S. PATENT DOCUMENTS

D781,848 S *	3/2017	Kim	D14/341
D782,471 S *	3/2017	Nuk	D14/341
D810,075 S *	2/2018	Liu	D14/341
D820,253 S *	6/2018	Kim	D14/341
D824,898 S *	8/2018	Xu	D14/341
D826,930 S *	8/2018	Iida	D14/341
D858,513 S *	9/2019	Huh	D14/341
D872,077 S *	1/2020	Raken	D14/341
D878,376 S *	3/2020	Claudepierre	D14/440
D900,806 S *	11/2020	Xu	D14/341

* cited by examiner

FIG. 1

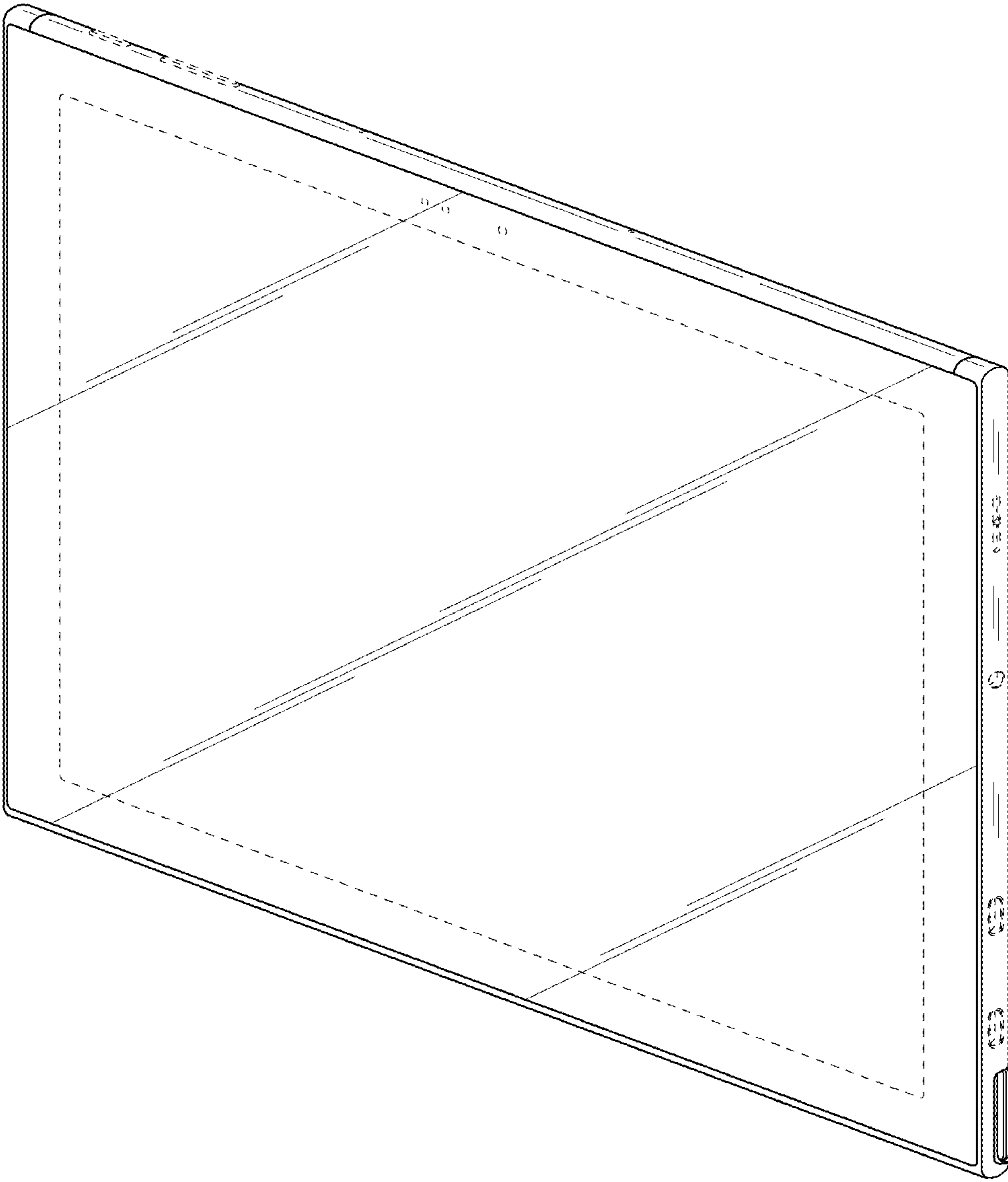


FIG.2

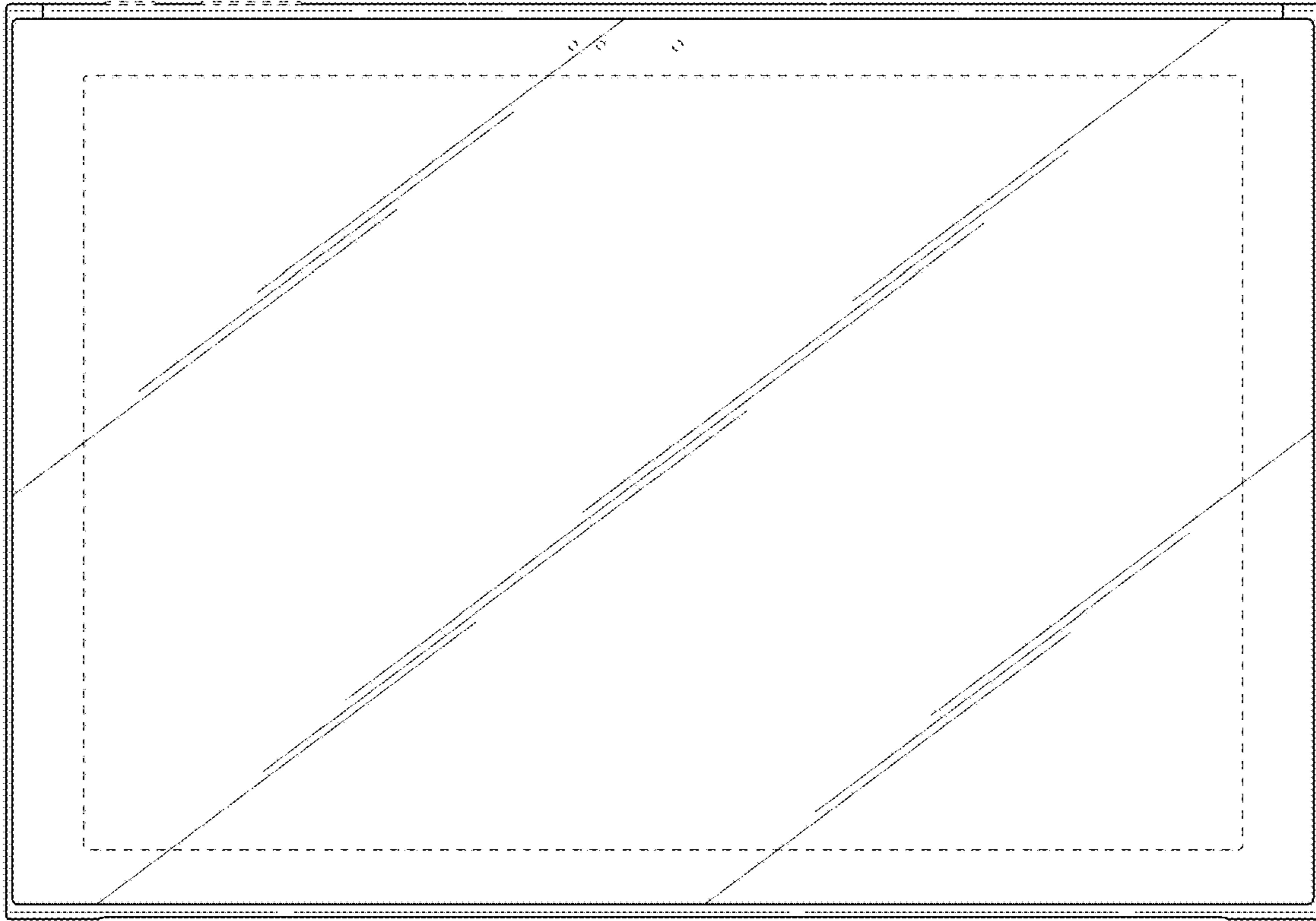


FIG.3



FIG.4



FIG.5



FIG.6

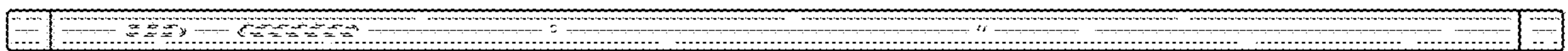


FIG.7

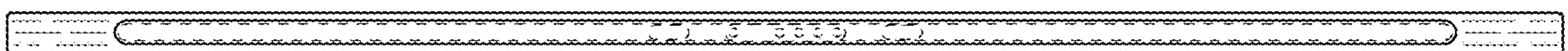


FIG.8

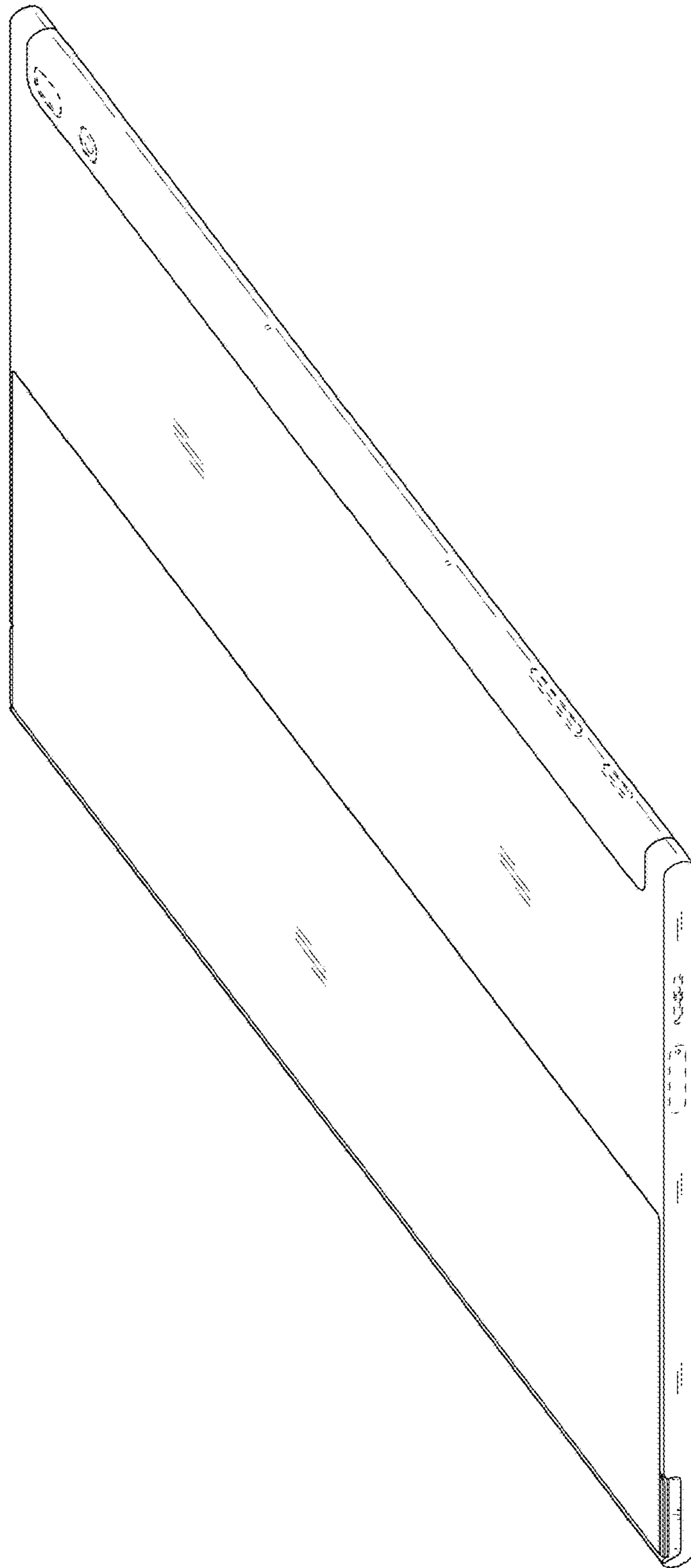


FIG.9

