



US00D913280S

(12) **United States Design Patent**
Cai et al.

(10) **Patent No.:** **US D913,280 S**
(45) **Date of Patent:** **** Mar. 16, 2021**

(54) **MULTI-MODE ELECTRONIC DEVICE WITH DISPLAY SCREEN**

(71) Applicant: **LENOVO (BEIJING) CO., LTD.**,
Beijing (CN)

(72) Inventors: **Xiao Cai**, Beijing (CN); **Xuesong Fan**,
Beijing (CN)

(73) Assignee: **Lenovo (Beijing) Co., Ltd.**, Beijing
(CN)

(**) Term: **15 Years**

(21) Appl. No.: **29/631,263**

(22) Filed: **Dec. 28, 2017**

Related U.S. Application Data

(63) Continuation of application No. 29/569,603, filed on
Jun. 29, 2016, now Pat. No. Des. 811,382.

(30) **Foreign Application Priority Data**

Dec. 29, 2015 (CN) 201530564795.4
Jun. 14, 2016 (CN) 201630237807.7

(51) **LOC (13) Cl.** **14-02**

(52) **U.S. Cl.**
USPC **D14/315**

(58) **Field of Classification Search**
USPC D14/300-302, 315-327, 328, 333-335,
D14/345, 348, 392, 434, 439, 447, 458,
(Continued)

(56) **References Cited**

U.S. PATENT DOCUMENTS

3,286,850 A * 11/1966 Ruhnke A47B 61/003
211/105.1
3,947,970 A * 4/1976 Lesure G01B 5/25
33/657

(Continued)

OTHER PUBLICATIONS

Lenovo YOGA 3 Pro—Hinge | posted at youtube.com Mar. 2015
[retrieved Dec. 7, 2019] from Internet: <<https://www.youtube.com/watch?v=wWnfdUeR7H0>> (Year: 2015).*

Primary Examiner — Katherine Glennon

(74) *Attorney, Agent, or Firm* — Oppedahl Patent Law
Firm LLC

(57) **CLAIM**

The ornamental design for a multi-mode electronic device
with display screen, as shown and described.

DESCRIPTION

FIG. 1 is a front view of a multi-mode electronic device with
display screen showing a first embodiment of our new
design;

FIG. 2 is a back view thereof;

FIG. 3 is a left side view thereof;

FIG. 4 is a partially enlarged view thereof as indicated in
FIG. 3;

FIG. 5 is a right side view thereof;

FIG. 6 is a top view thereof;

FIG. 7 is a bottom view thereof;

FIG. 8 is a perspective view thereof;

FIG. 9 is a perspective view thereof shown in first open
position;

FIG. 10 is a perspective view thereof shown in second open
position;

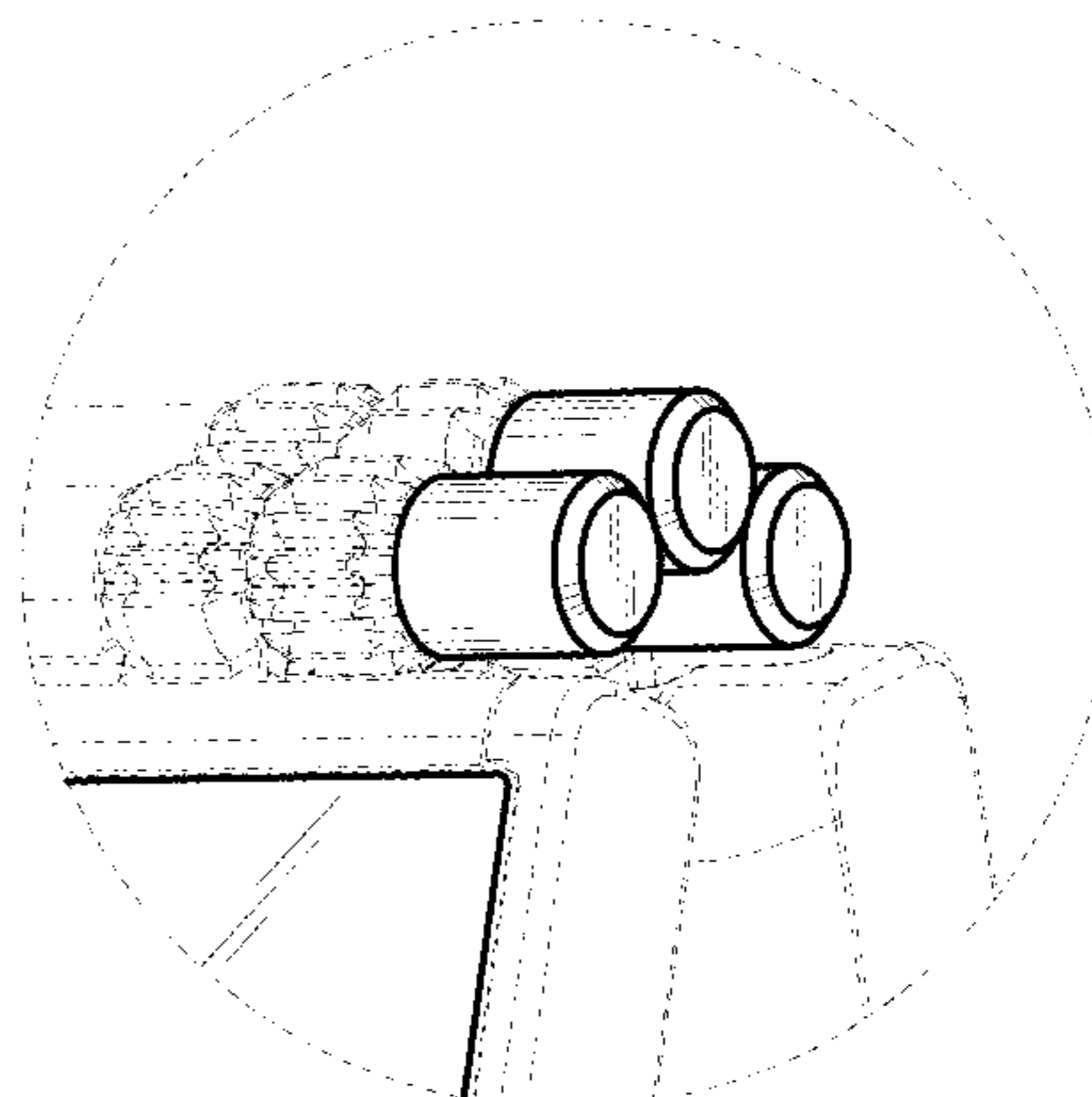
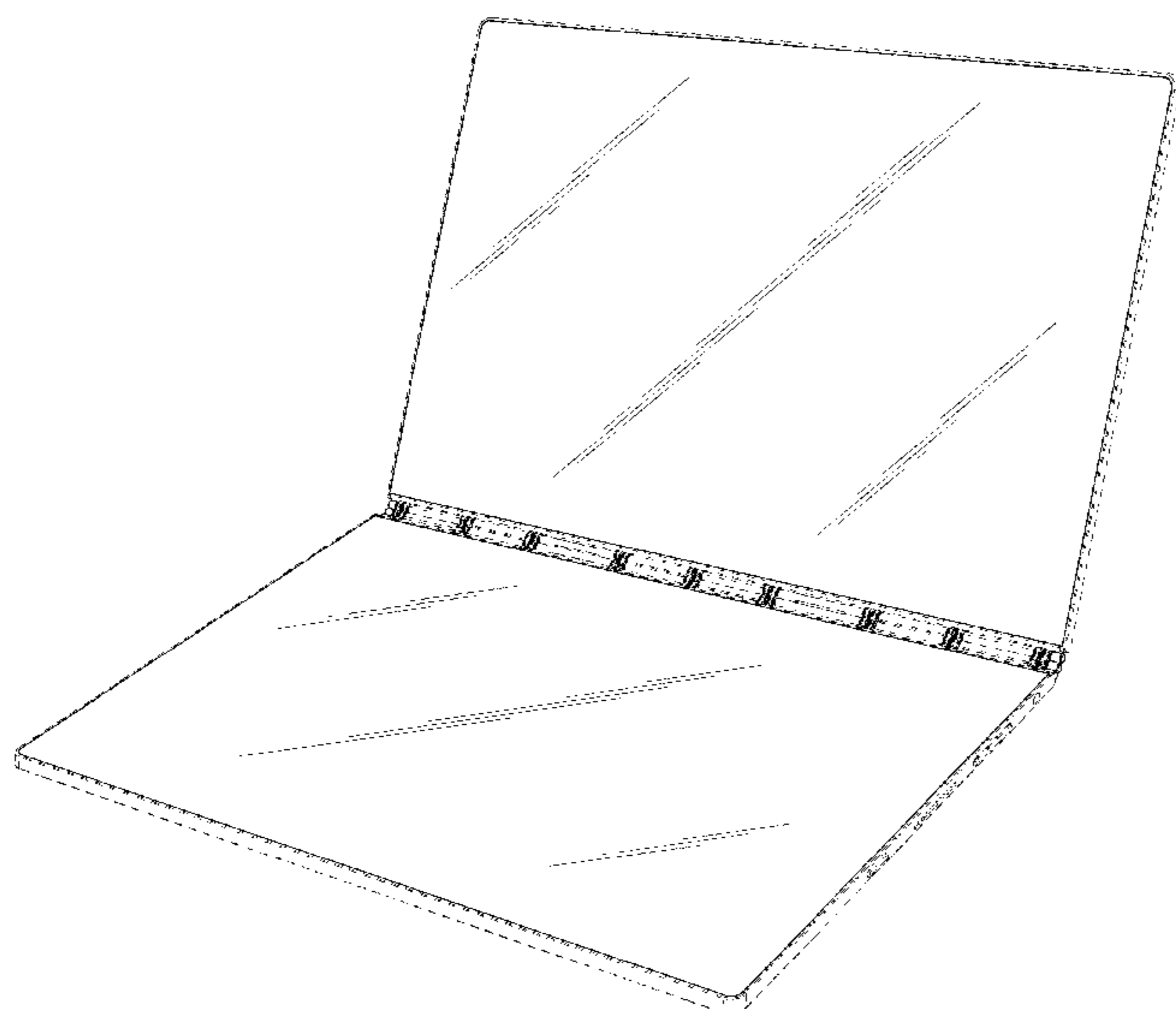
FIG. 11 is a perspective view thereof shown in third open
position;

FIG. 12 is a partially enlarged view thereof as indicated in
FIG. 11; and,

FIG. 13 is a perspective view thereof shown in fourth open
position.

The features shown in broken lines in the drawings depict
environmental subject matter and form no part of the
claimed design.

1 Claim, 8 Drawing Sheets



US D913,280 S

Page 2

(58) **Field of Classification Search**

USPC D14/450, 455-457; D8/323, 325,
D8/327-329
CPC G06F 1/1616; G06F 1/1618; G06F 1/162;
G06F 1/1624; G06F 1/1632; G06F 3/011;
H05K 5/0234; H05K 5/0017; H05K
5/0226; F16M 11/06; F16M 11/10; F16M
11/14

See application file for complete search history.

(56) **References Cited**

U.S. PATENT DOCUMENTS

4,131,332 A * 12/1978 Hogendobler H01R 9/0518
439/585
5,474,476 A * 12/1995 Cheng H01R 24/40
439/675
5,522,006 A * 5/1996 Takeuchi A61B 1/00117
385/117
5,560,700 A * 10/1996 Levens F21V 9/04
362/558
5,744,930 A * 4/1998 Fleming H01M 2/1022
320/125
5,871,849 A * 2/1999 Lepine B32B 21/08
428/542.8
5,904,586 A * 5/1999 Takayasu H01R 12/88
439/260
6,065,592 A * 5/2000 Wik A24F 15/20
131/270
6,223,393 B1 * 5/2001 Knopf G06F 1/1618
16/366

D494,189 S * 8/2004 Ko D14/319
D494,580 S * 8/2004 Kondo D14/318
6,771,494 B2 8/2004 Shimano G06F 1/1616
345/173
D580,433 S * 11/2008 Chiang D14/345
D588,126 S * 3/2009 Chiang D14/345
D617,789 S 6/2010 Akana et al. D14/318
D664,532 S 7/2012 Lee 14/315
D684,965 S * 6/2013 Lam D14/327
D697,063 S 1/2014 Lee 14/315
D708,605 S 7/2014 Yang 14/315
D716,793 S 11/2014 Lee 14/315
D717,296 S 11/2014 Oh 14/316
D723,541 S 3/2015 Sohn 14/315
D723,542 S 3/2015 Sohn 14/315
D729,232 S 5/2015 Wu 14/341
D748,089 S * 1/2016 Shi D14/315
D761,249 S * 7/2016 Liang D14/315
9,411,365 B1 * 8/2016 Tanner G06F 1/1618
D773,452 S * 12/2016 Cheah D14/315
D778,901 S * 2/2017 Liang D14/315
D803,826 S * 11/2017 Wang D14/316
10,015,897 B1 * 7/2018 Hong G09F 9/301
2004/0001049 A1 * 1/2004 Oakley G06F 1/1637
345/173
2009/0244009 A1 * 10/2009 Staats G06F 1/162
345/168
2009/0302722 A1 * 12/2009 Mihara G06F 1/1616
312/223.2
2019/0004764 A1 * 1/2019 Son G06F 3/147
2019/0086970 A1 * 3/2019 Fang G06F 1/1681

* cited by examiner

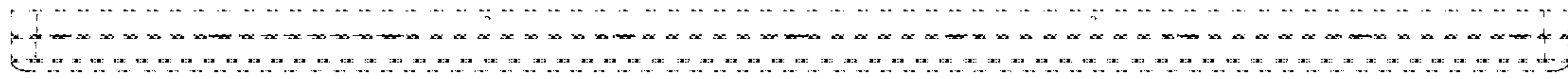


Fig. 1

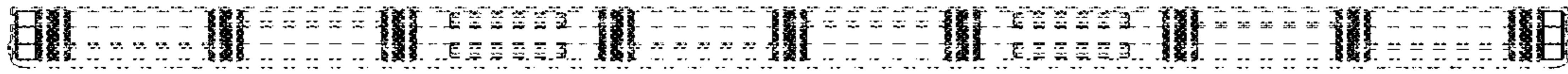


Fig. 2

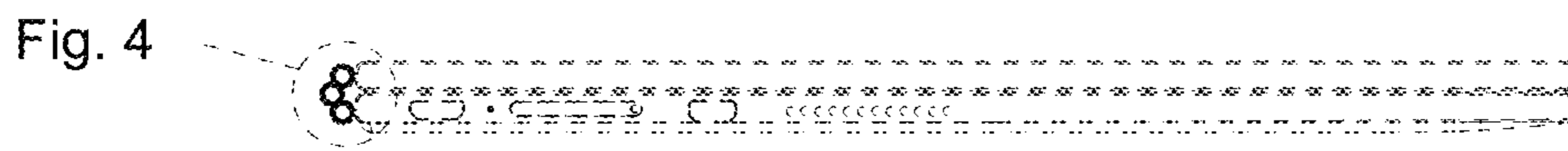


Fig. 3

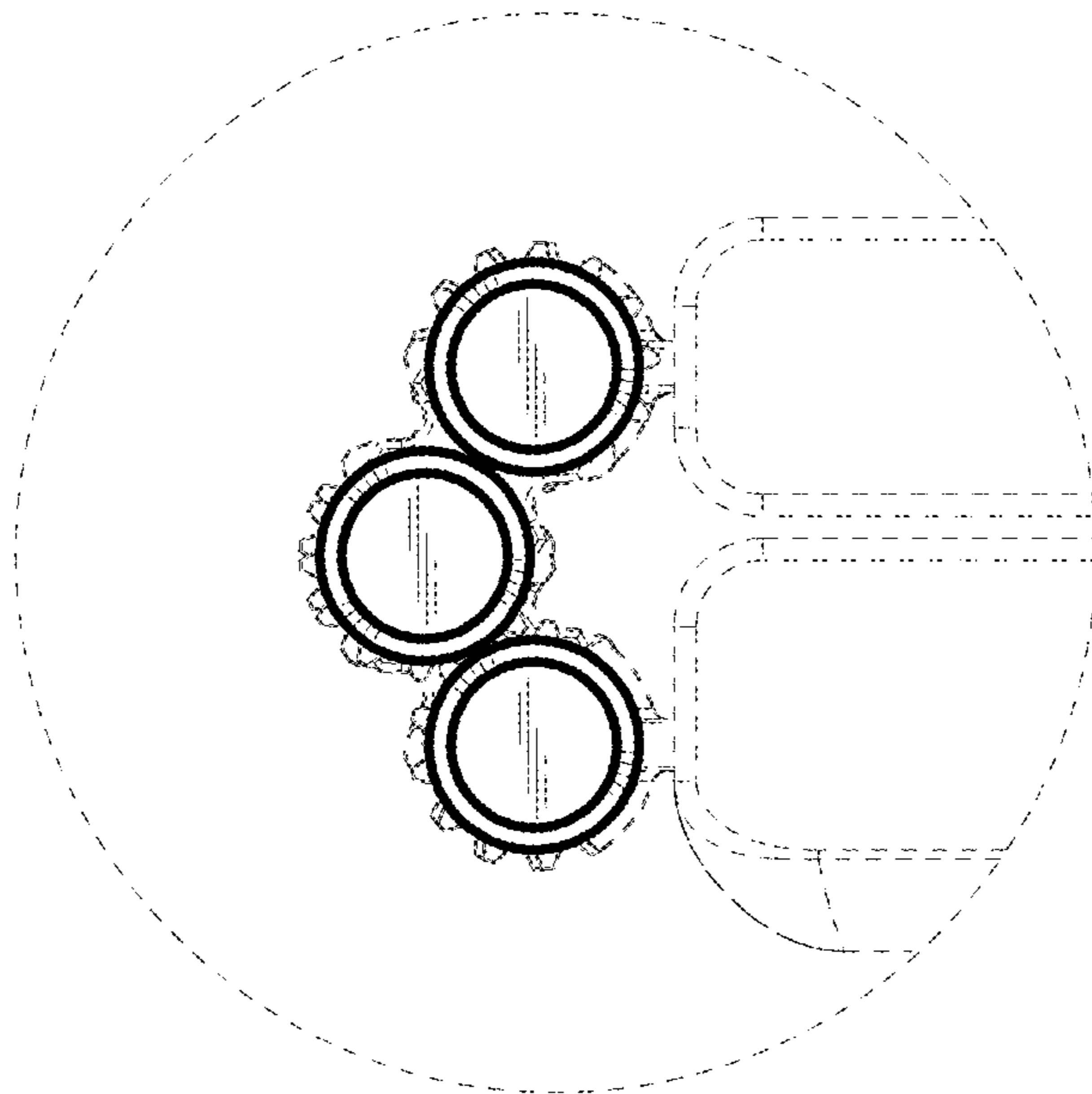


Fig. 4

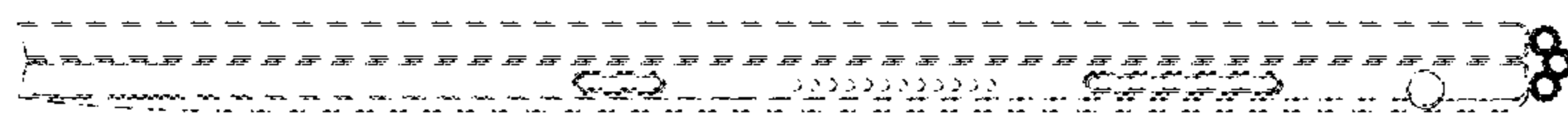


Fig. 5



Fig. 6

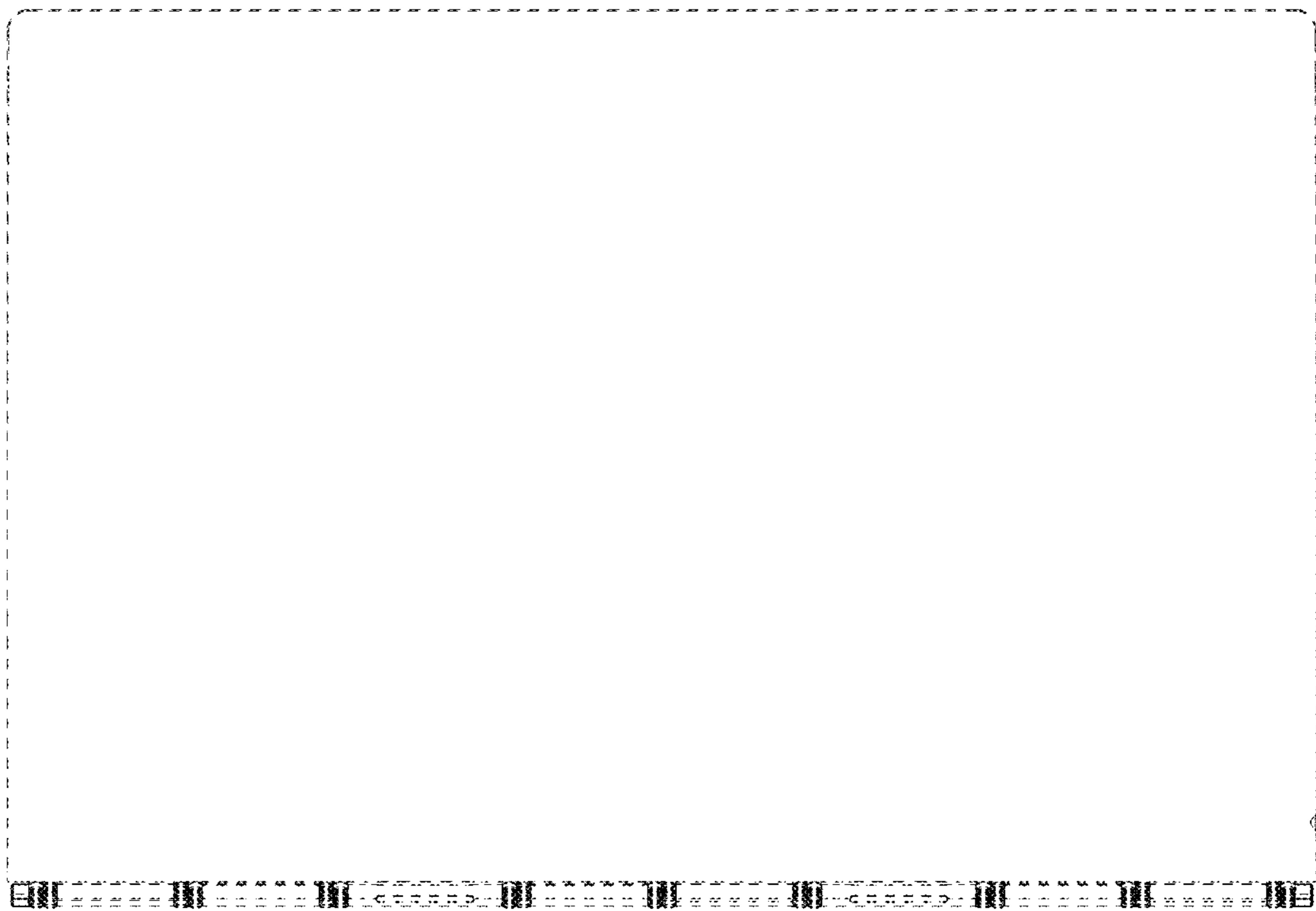


Fig. 7

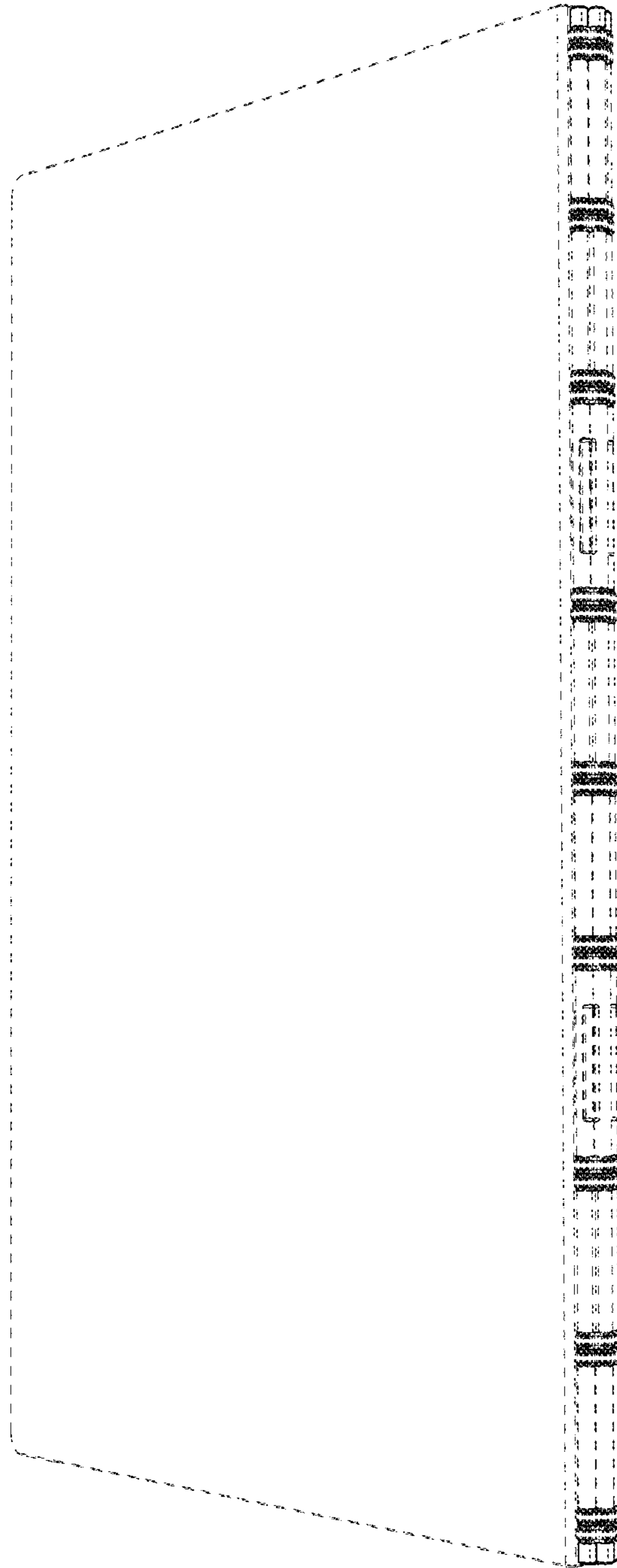


Fig. 8

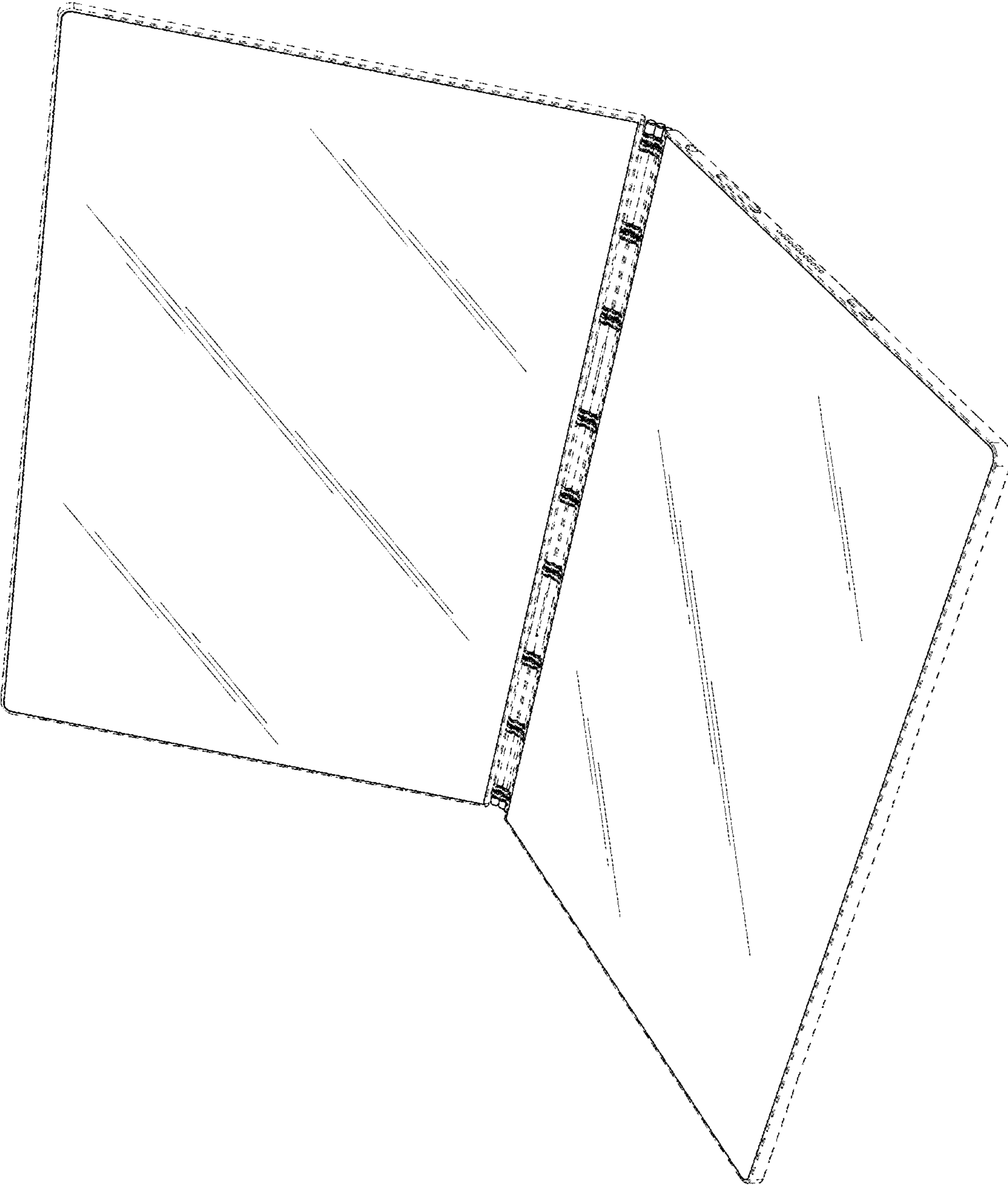


Fig. 9

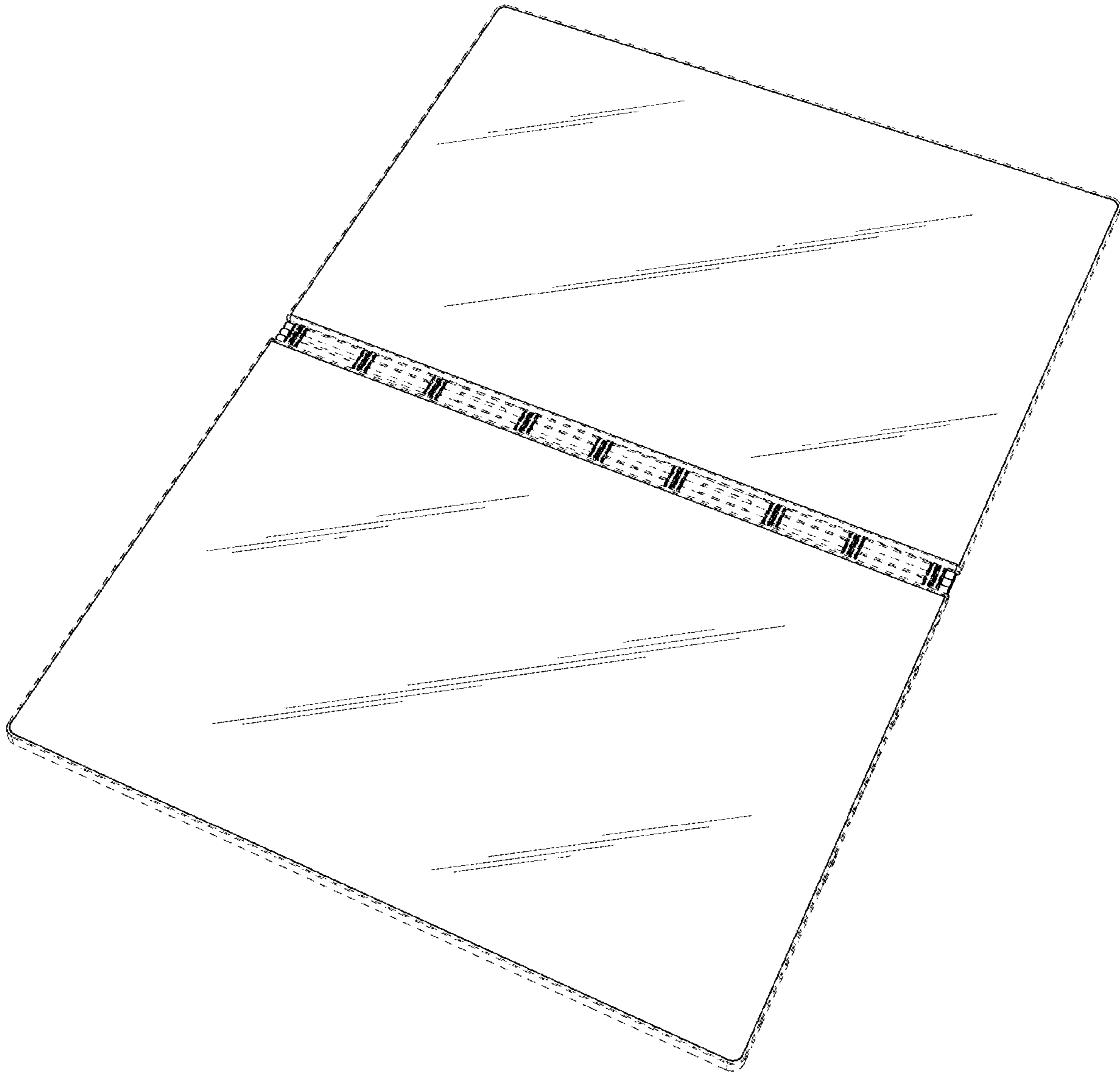


Fig. 10

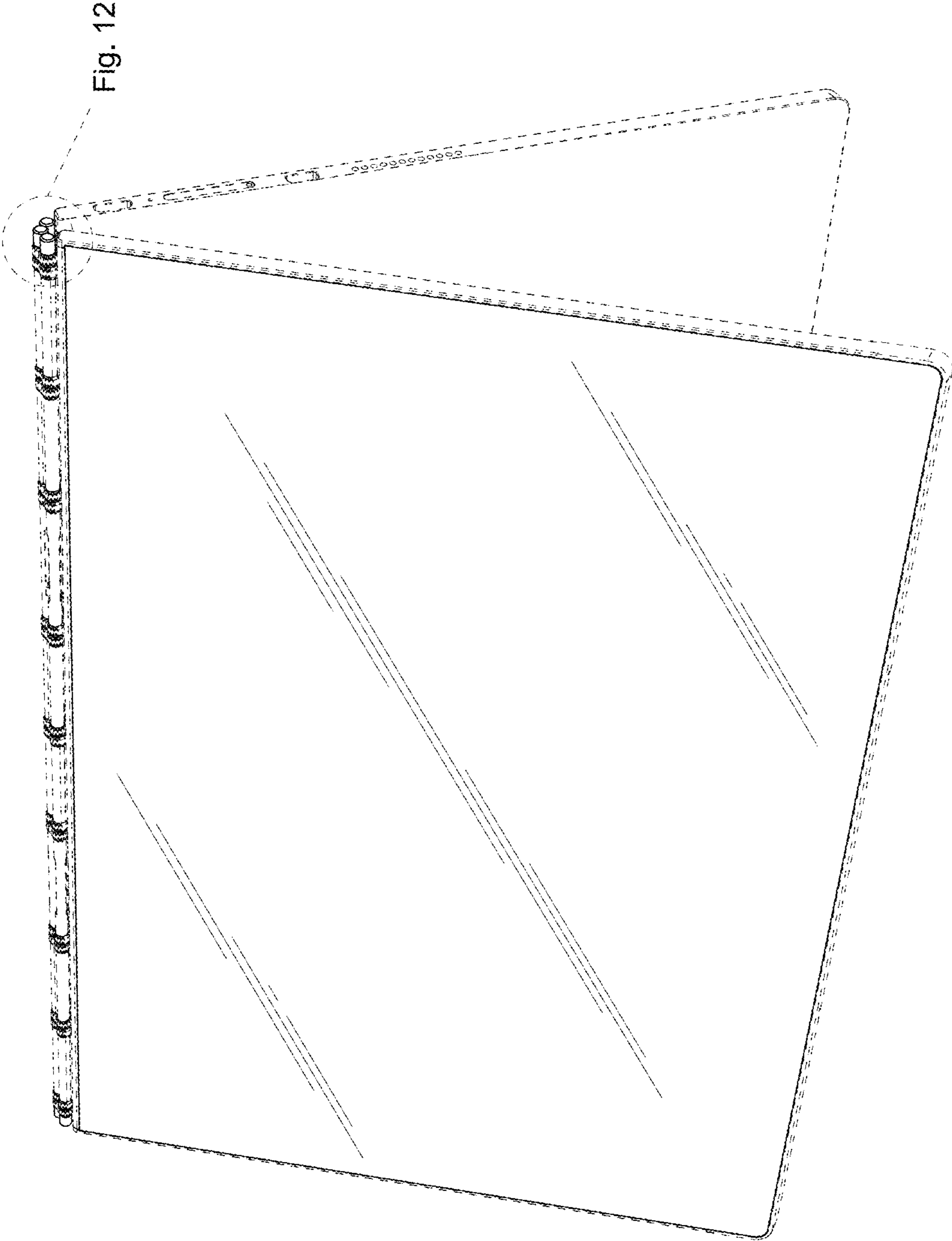


Fig. 11

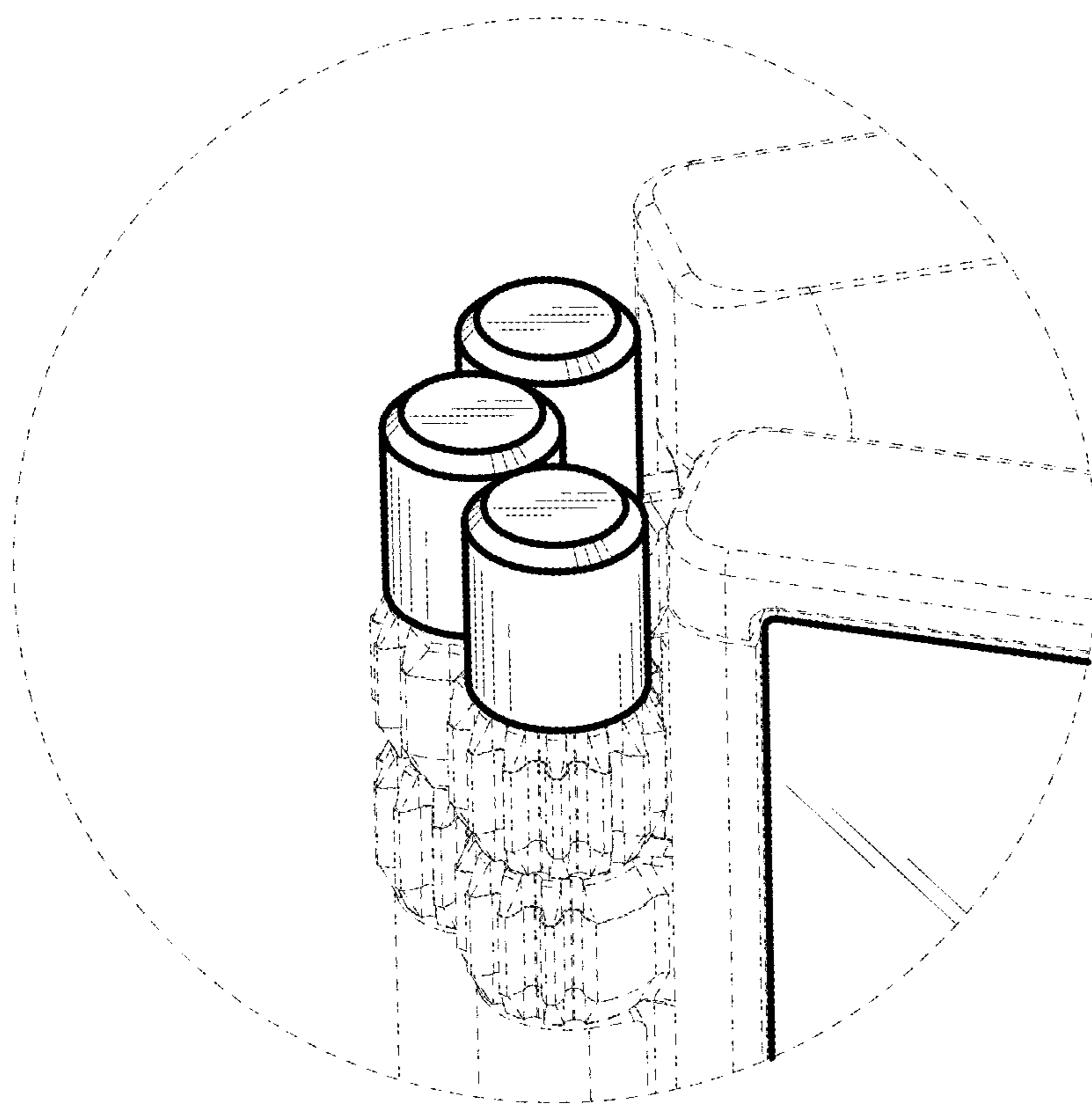


Fig. 12

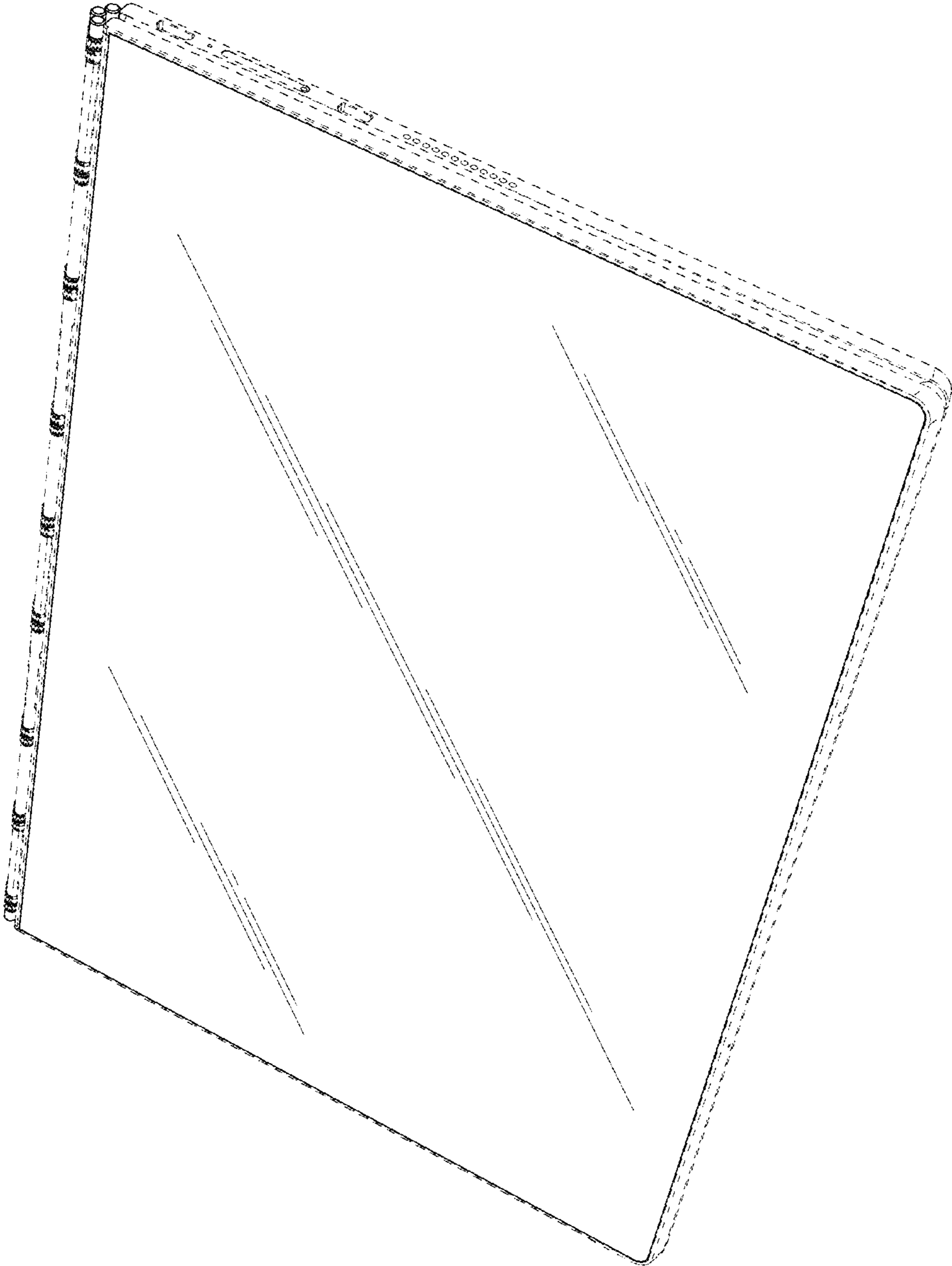


Fig. 13