

US00D913276S

(12) **United States Design Patent** (10) **Patent No.:** **US D913,276 S**
Dunn (45) **Date of Patent:** **** Mar. 16, 2021**

(54) **ELECTRONIC DISPLAY KIOSK**
(71) Applicant: **Manufacturing Resources International, Inc.**, Alpharetta, GA (US)
(72) Inventor: **William Dunn**, Alpharetta, GA (US)
(73) Assignee: **Manufacturing Resources International, Inc.**, Alpharetta, GA (US)
(**) Term: **15 Years**

D646,269 S * 10/2011 Crick, Jr. D14/307
D653,662 S 2/2012 Park et al.
D654,116 S 2/2012 McDougall et al.
D665,029 S * 8/2012 Krapf D20/21
D696,658 S * 12/2013 Winston D14/307
D752,529 S 3/2016 Loretan et al.
D754,256 S 4/2016 Maman et al.
D775,622 S * 1/2017 Fu D14/307
D777,695 S 1/2017 Odryna et al.
D807,840 S 1/2018 Lee et al.
D816,624 S 5/2018 Odryna et al.
D817,288 S 5/2018 Won et al.
D820,798 S 6/2018 Yurusov
D831,599 S 10/2018 Chong et al.
D835,926 S * 12/2018 Abatemarco, Jr. D6/675

(Continued)

(21) Appl. No.: **29/706,959**
(22) Filed: **Sep. 25, 2019**
(51) **LOC (13) Cl.** **14-02**
(52) **U.S. Cl.**
USPC **D14/307**
(58) **Field of Classification Search**
USPC D14/302-307, 900-902; D13/163;
D20/10; D21/332, 325, 369, 370;
D99/28; D6/397, 466; 194/206;
361/679.01, 679.02, 679.04, 679.21,
361/679.57, 725
CPC G06Q 20/18; G06Q 20/10; G06Q 20/123;
G06Q 20/20; G06Q 30/02; G06Q 30/06;
A47F 9/047
See application file for complete search history.

OTHER PUBLICATIONS

Vertigo Digital Displays, Innovation on Display FlexVu Totem Brochure, 2014, 6 pages.

(Continued)

Primary Examiner — Austin Murphy
(74) *Attorney, Agent, or Firm* — Standley Law Group LLP; Jeffrey S. Standley; Adam J. Smith

(57) **CLAIM**

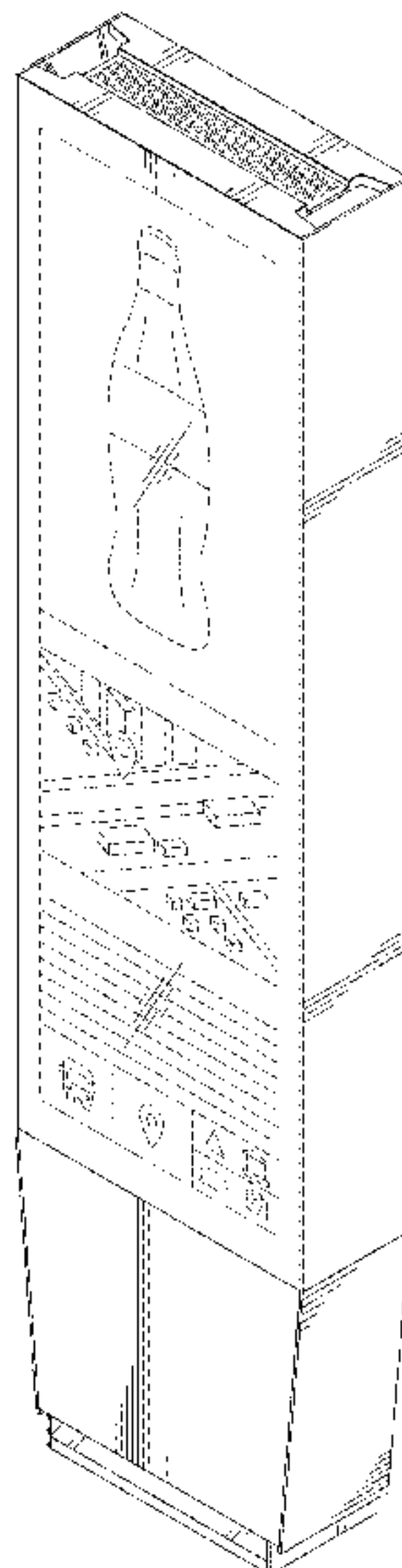
The ornamental design for an electronic display kiosk, as shown and described.

DESCRIPTION

FIG. 1 is a front perspective view of the electronic display kiosk;
FIG. 2 is a front elevation view of the FIG. 1 device;
FIG. 3 is a rear elevation view of the FIG. 1 device;
FIG. 4 is a right side elevation view of the FIG. 1 device;
FIG. 5 is a left side elevation view of the FIG. 1 device;
FIG. 6 is a top view of the FIG. 1 device; and,
FIG. 7 is a bottom view of the FIG. 1 device.
The broken lines form no part of the claimed design.

1 Claim, 5 Drawing Sheets

(56) **References Cited**
U.S. PATENT DOCUMENTS
D357,944 S * 5/1995 Atwell D20/10
D453,194 S 1/2002 Gentelia et al.
D455,789 S * 4/2002 Schlueter D20/10
D479,859 S 9/2003 Strunk et al.
D483,074 S 12/2003 Strunk et al.
D486,188 S 2/2004 Norcross et al.
D585,943 S * 2/2009 Pymm D20/10
D639,800 S * 6/2011 Magruder D14/307



(56)

References Cited

U.S. PATENT DOCUMENTS

D839,352 S 1/2019 Lim et al.
10,278,311 B2 4/2019 DeMars
D861,623 S 10/2019 Odryna et al.
D879,202 S 3/2020 Hornsby et al.
D883,278 S * 5/2020 Yopez D14/307
D885,382 S 5/2020 Kim et al.
10,757,844 B2 8/2020 Dunn et al.
10,820,445 B2 10/2020 Diaz
10,831,050 B2 11/2020 Dunn et al.

OTHER PUBLICATIONS

Vertigo Digital Displays, FlexVu Totem Shelter, 2017, 2 pages.
Vertigo Digital Displays, All Products Catalogue, 2017, 14 pages.
CIVIQ Smartscapes, FlexVue Ferro 55P/55L, Mar. 16, 2017, 4 pages.
CIVIQ Smartscapes, There are companies that make kiosks. And then there's CIVIQ.—Advanced Smart City Platform, webpage, Jan. 30, 2019, 10 pages.
CIVIQ Smartscapes, Connecting people, please & experiences, webpage, Jan. 30, 2019, 5 pages.
CIVIQ Smartscapes, Connecting people, place & experiences, screen shot of devices webpage, Jan. 30, 2019, 1 page.

* cited by examiner

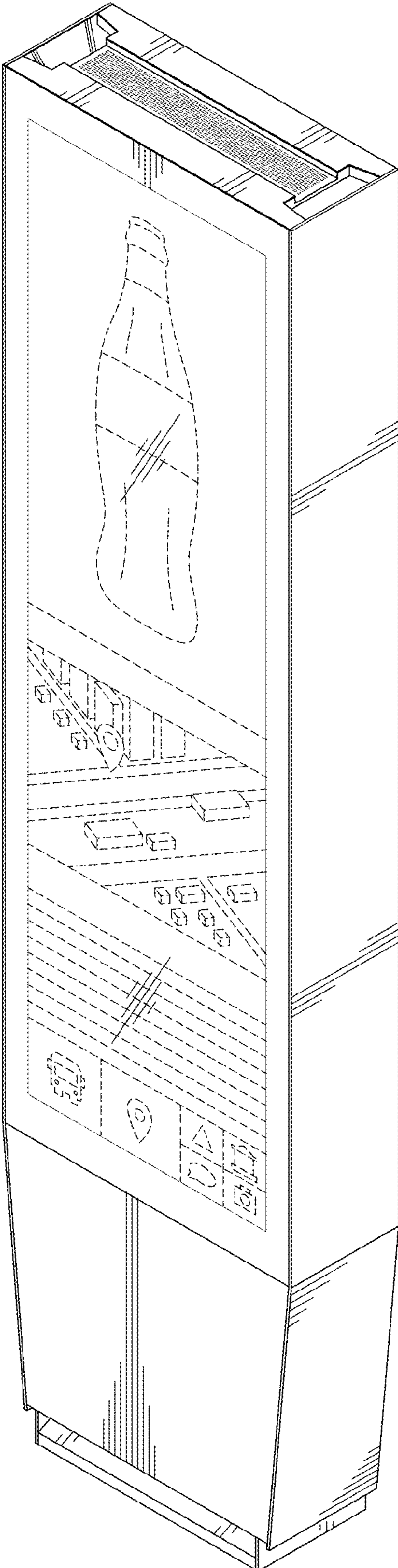


FIG. 1

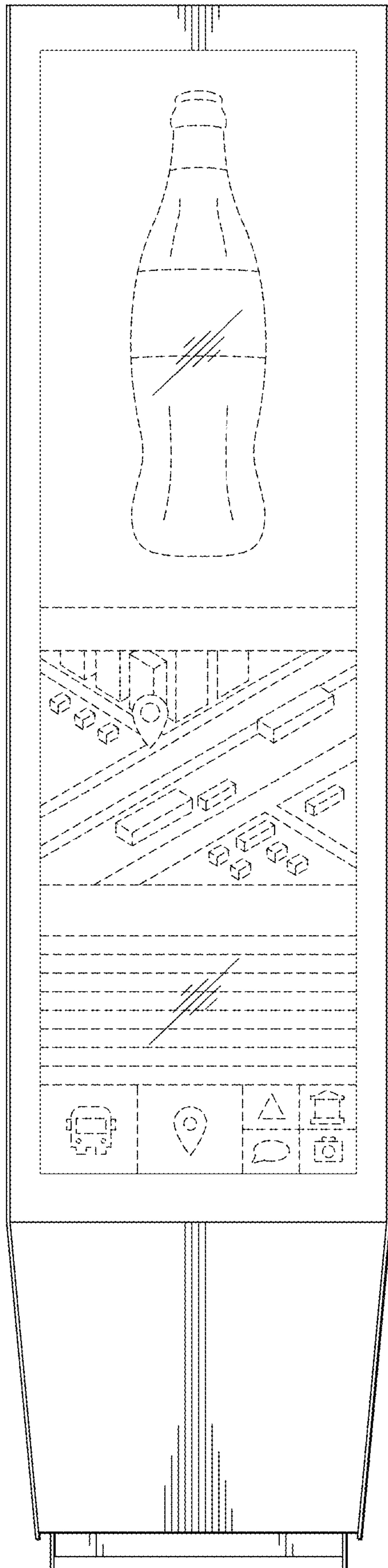


FIG. 2

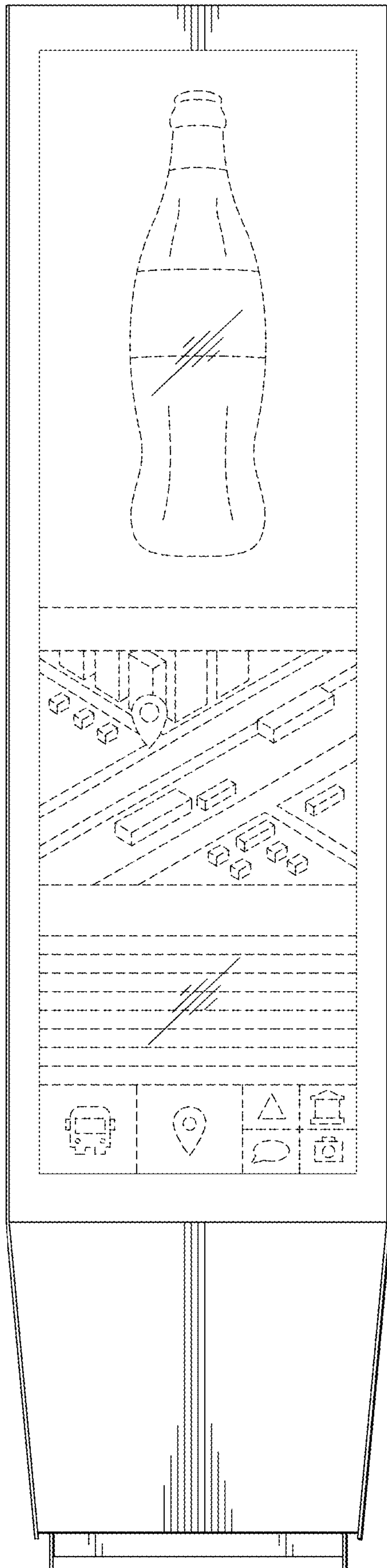


FIG. 3

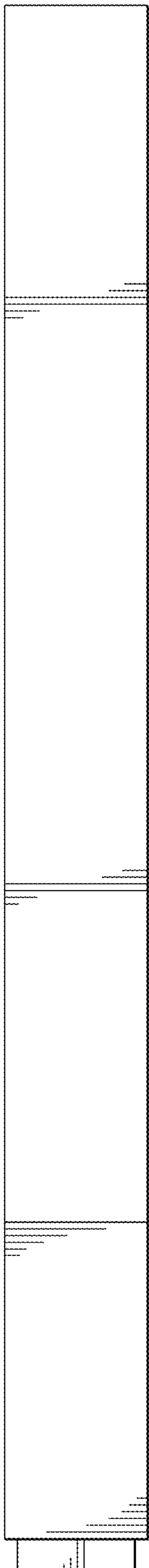


FIG. 4

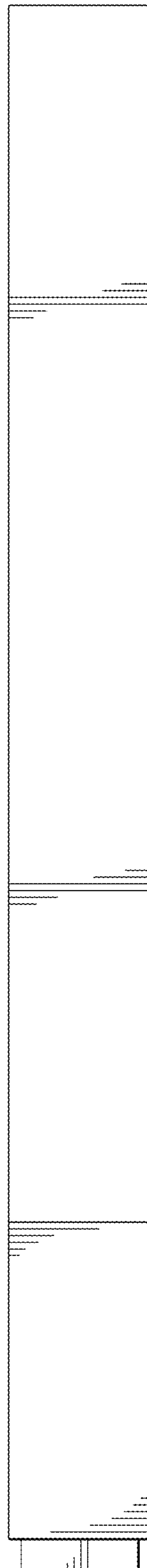


FIG. 5

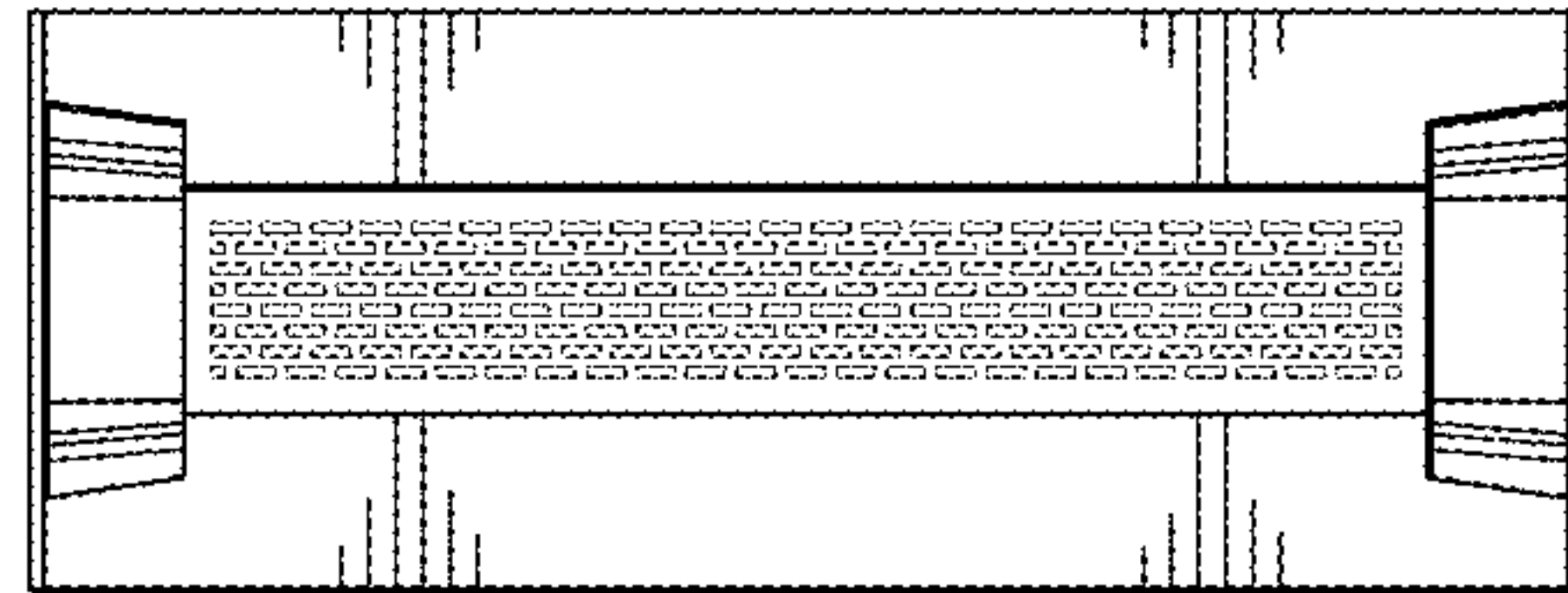


FIG. 6

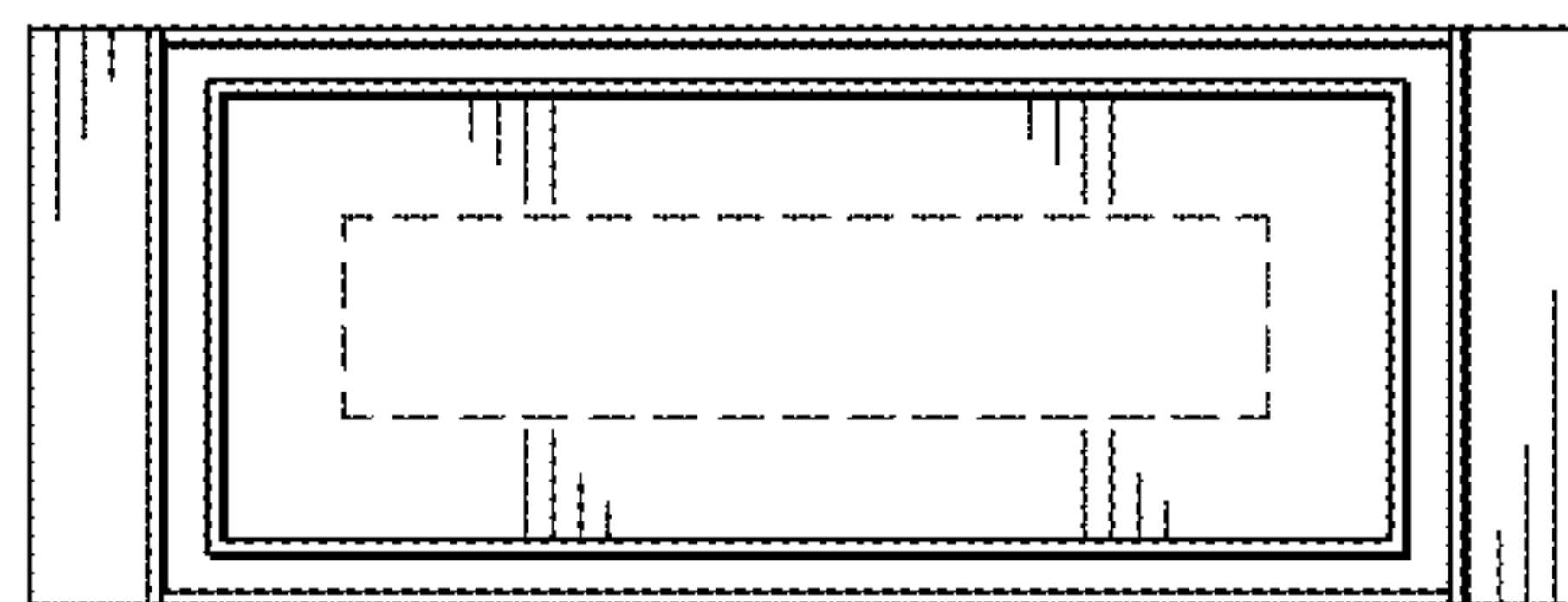


FIG. 7