



US00D913271S

(12) **United States Design Patent**
Peng

(10) **Patent No.:** **US D913,271 S**

(45) **Date of Patent:** **** Mar. 16, 2021**

(54) **MOBILE PHONE COOLING DEVICE**

(71) Applicant: **Shenzhen Diyiwei Electronics Co., Ltd.**, Shenzhen (CN)

(72) Inventor: **Kangda Peng**, Shenzhen (CN)

(73) Assignee: **SHENZHEN DIYIWEI ELECTRONICS CO., LTD.**, Shenzhen (CN)

(**) Term: **15 Years**

(21) Appl. No.: **29/693,584**

(22) Filed: **Jun. 4, 2019**

(30) **Foreign Application Priority Data**

Dec. 24, 2018 (CN) 201830751059.3

(51) **LOC (13) Cl.** **14-03**

(52) **U.S. Cl.**
USPC **D14/253**

(58) **Field of Classification Search**
USPC D14/251-253, 447, 452, 432-434, 440;
D12/415; D3/218; D8/349, 363;
415/148

CPC H04M 1/02; H04M 1/04; B60R 11/02;
F16M 11/00; F16M 11/04; F16M 11/06;
F04D 29/52; F04D 29/524

See application file for complete search history.

(56) **References Cited**

U.S. PATENT DOCUMENTS

9,975,497 B2 * 5/2018 Kim F16M 11/041
D840,995 S * 2/2019 Balmer D14/253
D854,006 S * 7/2019 Wang D14/253
D854,537 S * 7/2019 Ackeret D14/253

10,704,564 B2 * 7/2020 Jones F04D 25/0673
2016/0124210 A1 * 5/2016 Ross G02B 23/18
359/399
2019/0341884 A1 * 11/2019 Walker G06F 1/1632

OTHER PUBLICATIONS

Divi Phone Cooler, cellmost.com, Jan. 17, 2020 <<https://www.cellmost.com/details/divi-phone-cooler-cooling-games-heat-sink-radiator-smartphone-clip-cooler-silver-sku109901770b.html>> (Year: 2020).*

Divi Phone Cooler, tvc-mall.com, Dec. 19, 2019 <<https://www.tvc-mall.com/details/phone-cooler-cooling-games-heat-sink-radiator-smartphone-clip-cooler-black-sku109901770a.html>> (Year: 2019).*

* cited by examiner

Primary Examiner — Janice Hallmark

(57) **CLAIM**

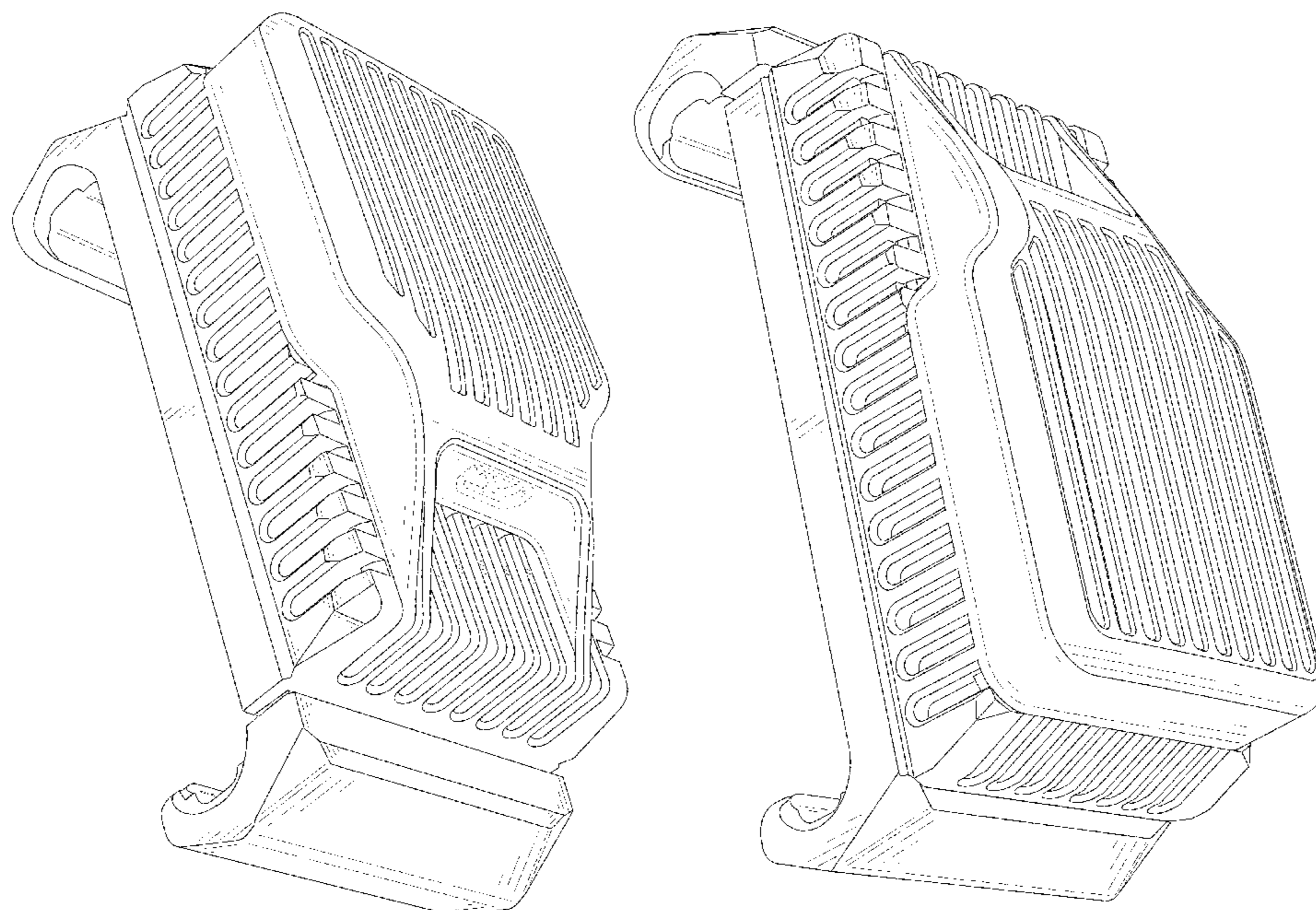
The ornamental design for a mobile phone cooling device, as shown and described.

DESCRIPTION

FIG. 1 is a perspective view of the mobile phone cooling device showing my new design;
FIG. 2 is another perspective view thereof;
FIG. 3 is a front elevational view thereof;
FIG. 4 is a rear elevational view thereof;
FIG. 5 is a left side elevational view thereof;
FIG. 6 is a right side elevational view thereof;
FIG. 7 is a top plan view thereof; and,
FIG. 8 is a bottom plan view thereof.

The broken lines in the drawings depict portions of the mobile phone cooling device that form no part of the claimed design.

1 Claim, 8 Drawing Sheets



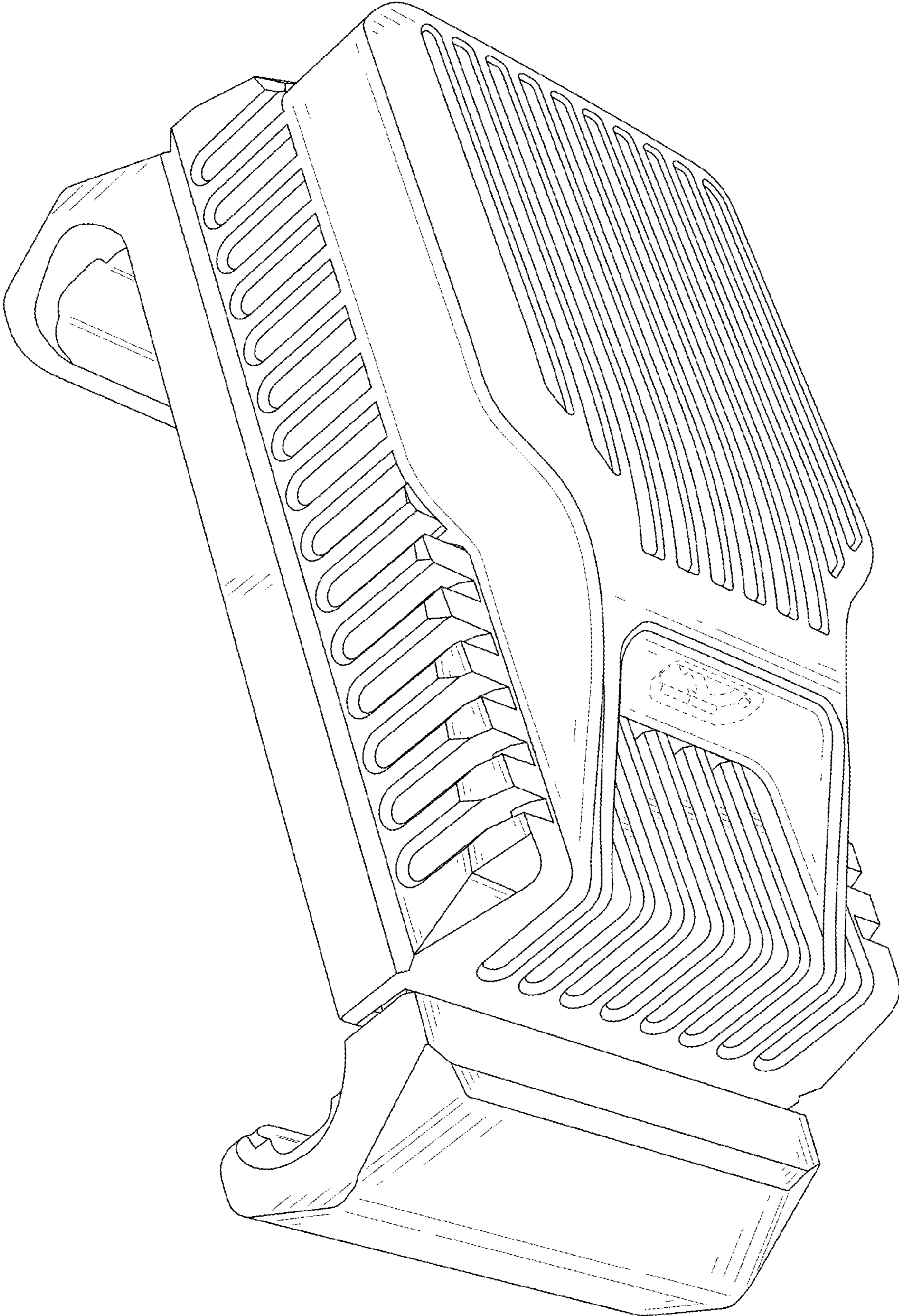


FIG. 1

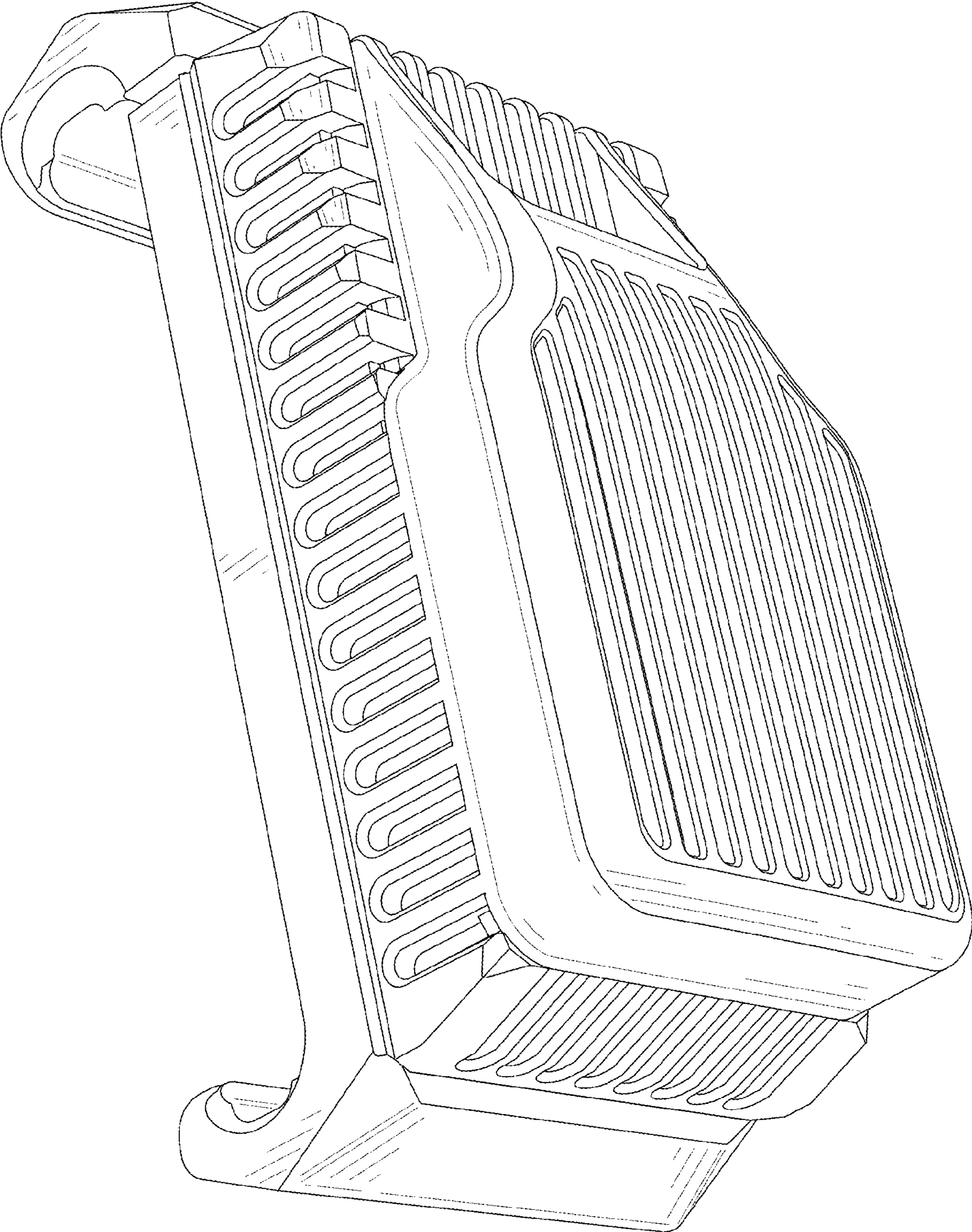


FIG. 2

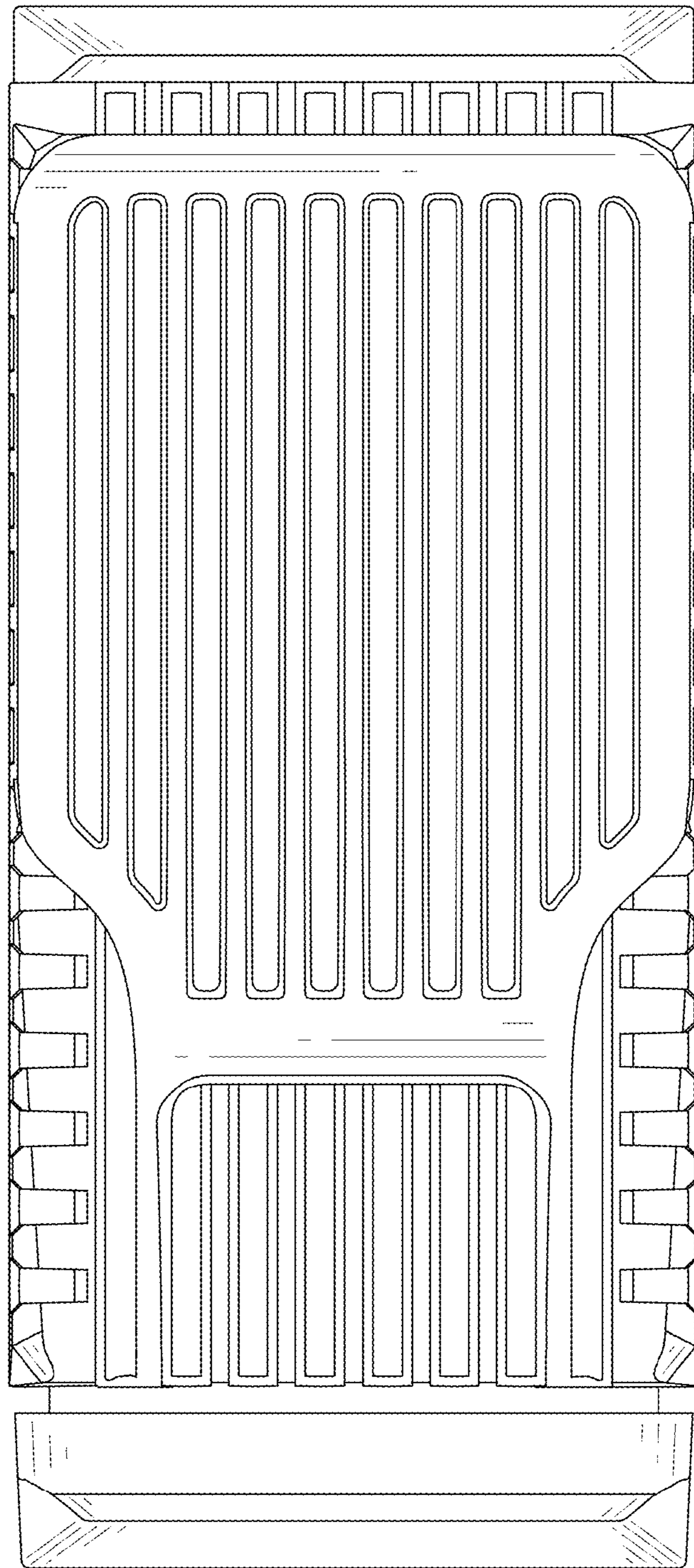


FIG. 3

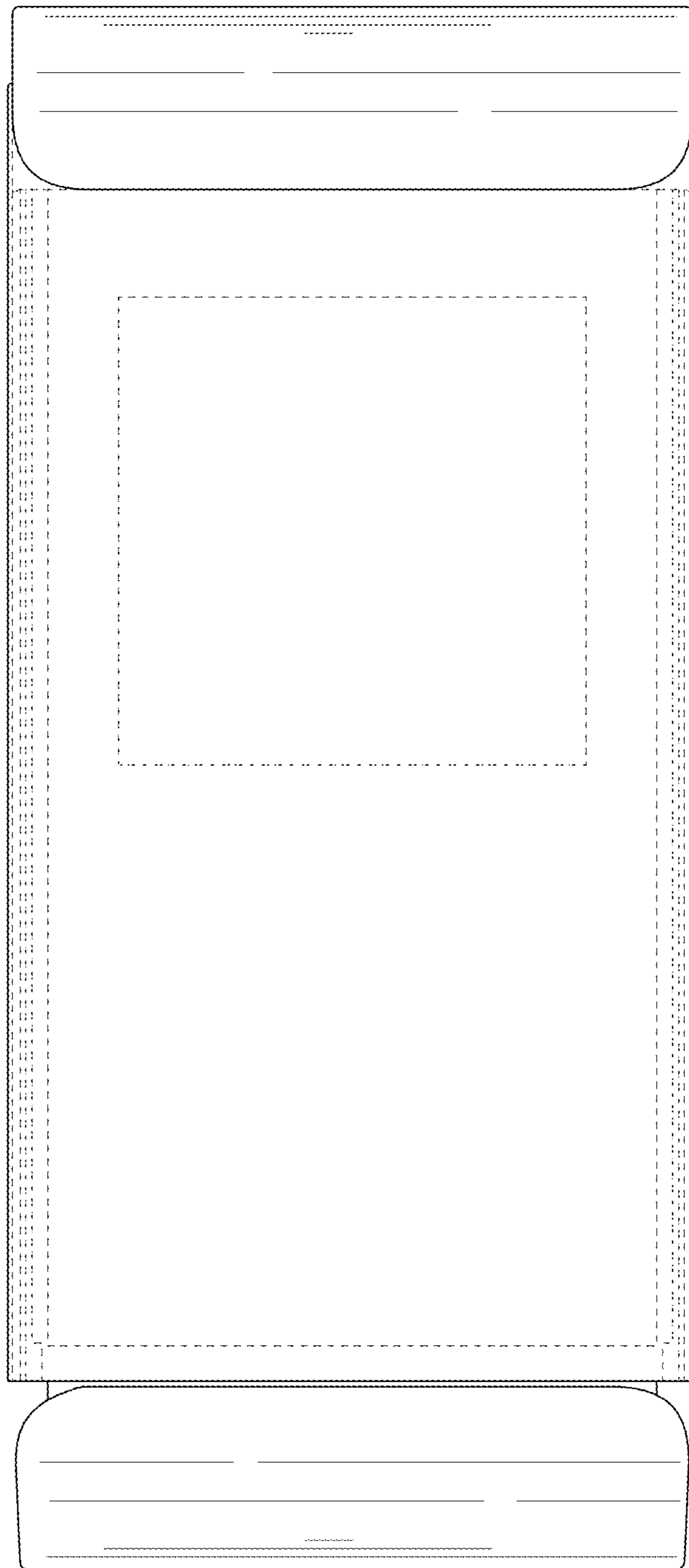


FIG. 4

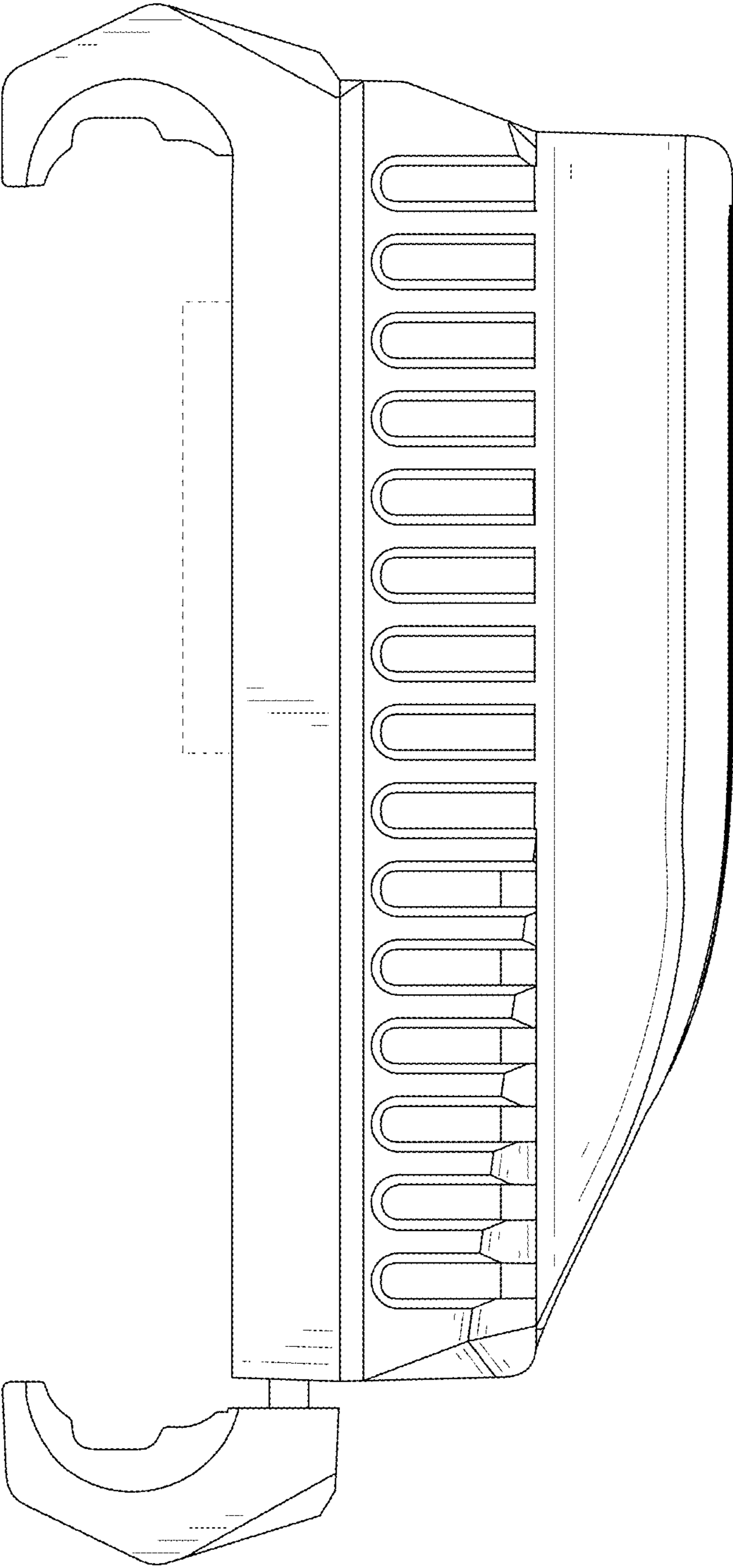


FIG. 5

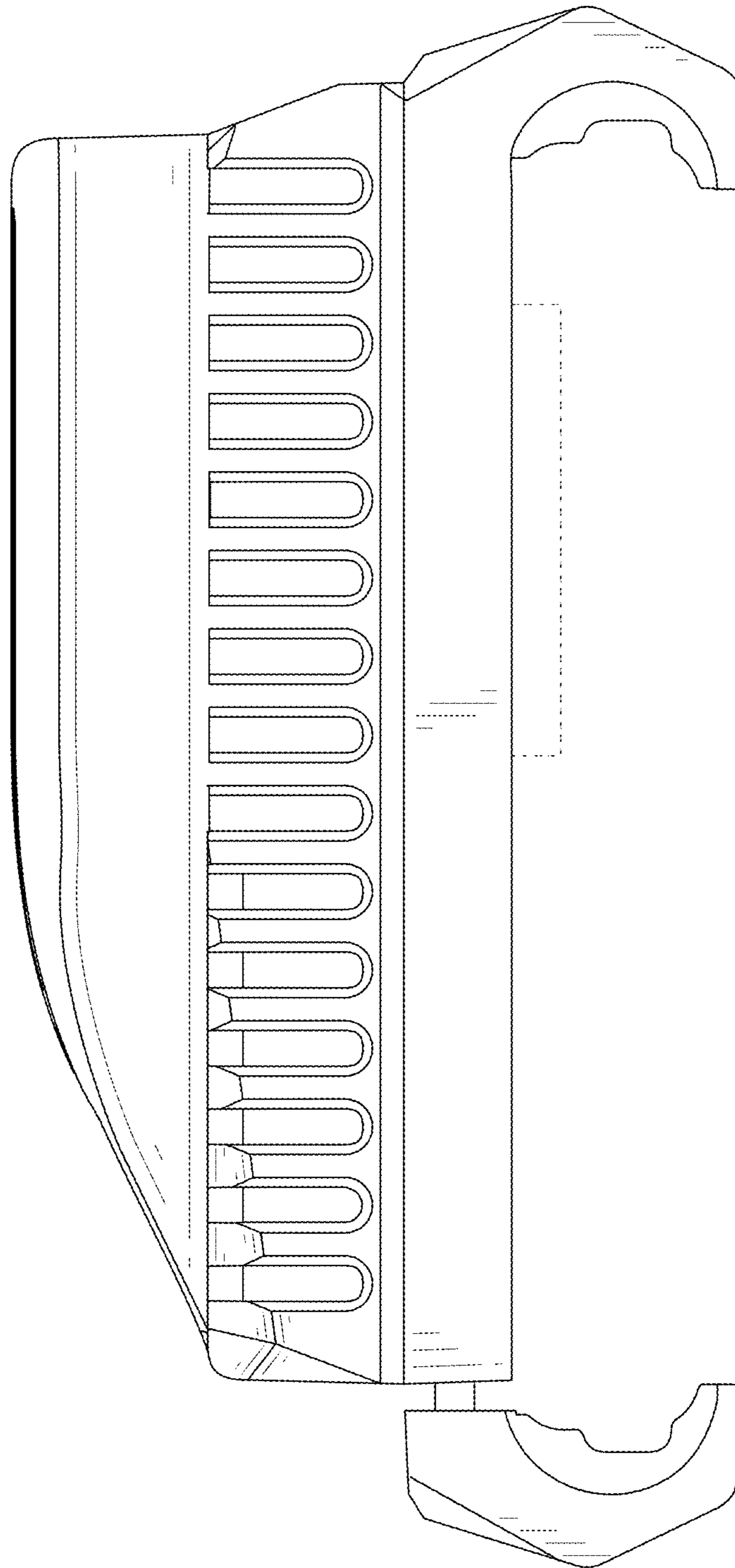


FIG. 6

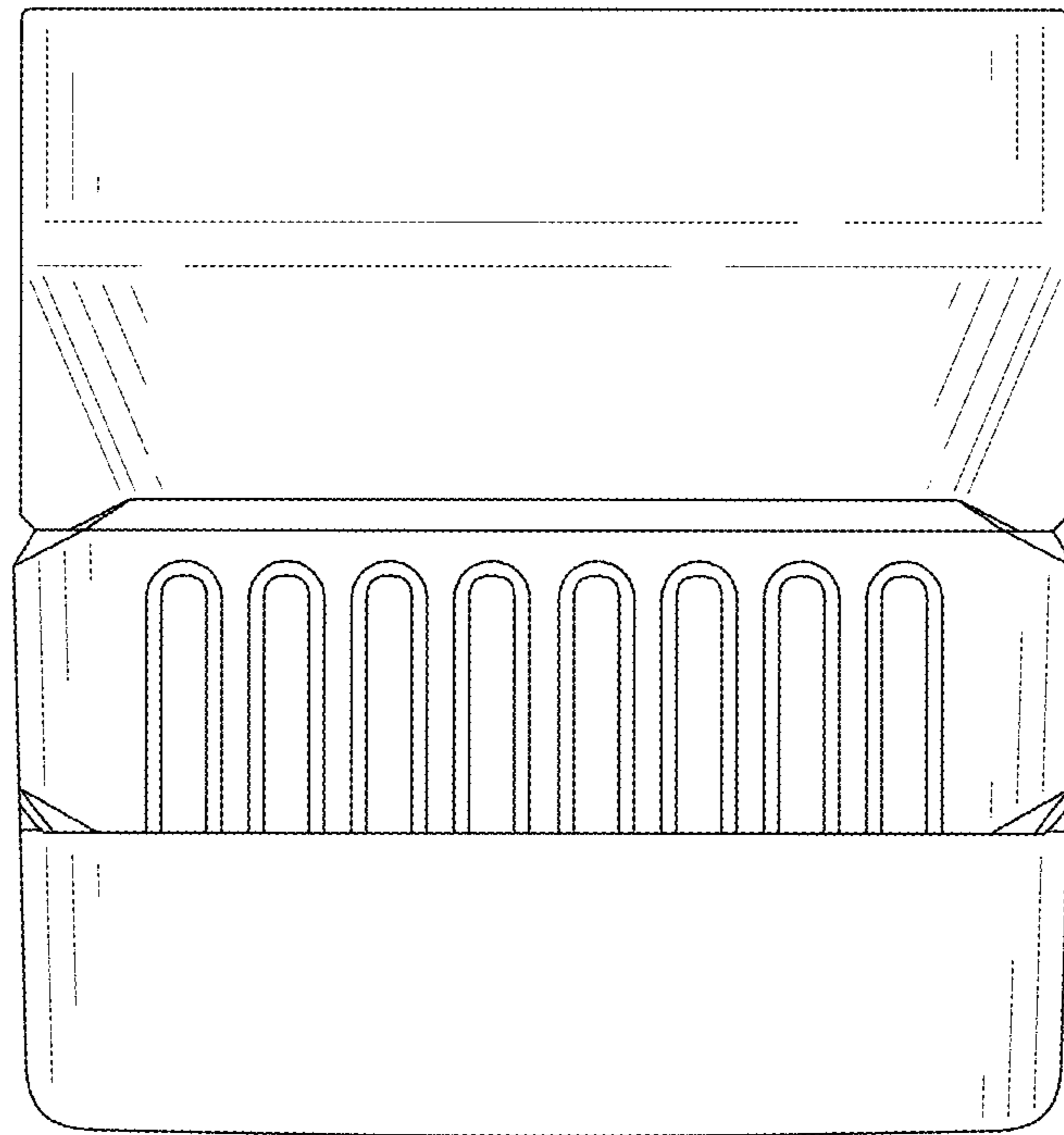


FIG. 7

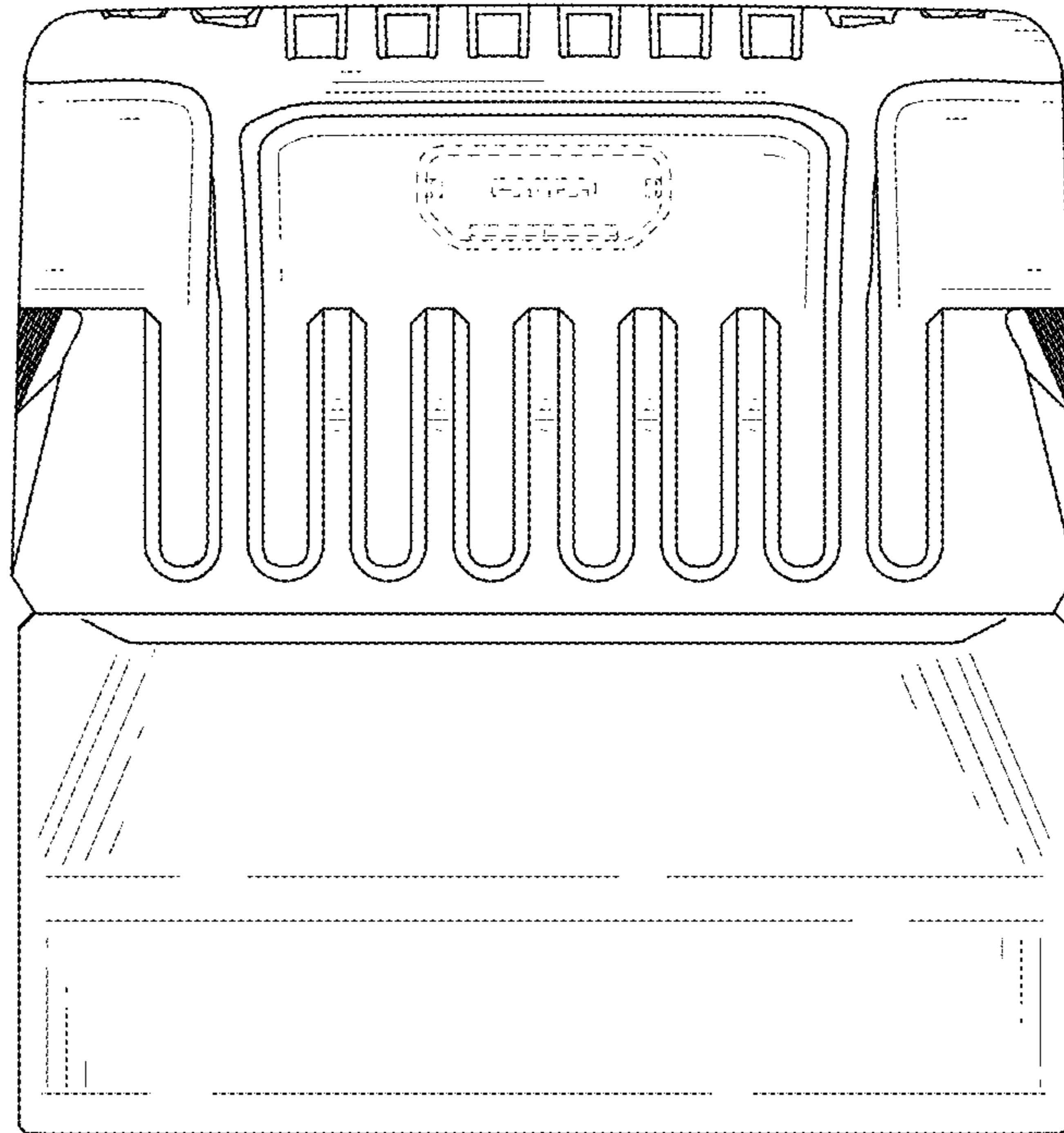


FIG. 8