



US00D913263S

(12) **United States Design Patent**
Yang et al.

(10) **Patent No.:** **US D913,263 S**

(45) **Date of Patent:** **** Mar. 16, 2021**

(54) **EARPHONE**

(71) Applicants: **Xiaokang Yang**, Shenzhen (CN);
Guosheng Liao, Shenzhen (CN)

(72) Inventors: **Xiaokang Yang**, Shenzhen (CN);
Guosheng Liao, Shenzhen (CN)

(**) Term: **15 Years**

(21) Appl. No.: **29/695,307**

(22) Filed: **Jun. 18, 2019**

(51) **LOC (13) Cl.** **14-01**

(52) **U.S. Cl.**
USPC **D14/206**; D14/226

(58) **Field of Classification Search**
USPC D14/206, 226, 205; 381/380, 381, 362,
381/361; 455/90.3, 575.1, 569.1
CPC H04R 25/00; H04R 1/1016; H04R 1/1066;
H04R 5/033; H04R 5/0335; H04R 9/08;
H04R 11/04; H04R 19/04; H04R 1/10;
H04R 1/105; H04R 1/1083
See application file for complete search history.

(56) **References Cited**

U.S. PATENT DOCUMENTS

- 4,617,431 A * 10/1986 Scott H04M 1/05
181/20
- D403,327 S * 12/1998 Landreth D14/223
- D455,417 S * 4/2002 Bey D14/206
- D460,960 S * 7/2002 Kao D14/223
- D464,943 S * 10/2002 Lai D14/206
- D470,128 S * 2/2003 Hlas D14/205
- D470,835 S * 2/2003 Bey D14/206
- D471,898 S * 3/2003 Bae D14/205
- 6,560,346 B2 * 5/2003 Ohta H04R 1/083
381/370
- D512,991 S * 12/2005 Yano D14/223
- D517,054 S * 3/2006 Yang D14/205
- D538,792 S * 3/2007 Kim D14/223

- D539,782 S * 4/2007 Lee D14/188
- D562,310 S * 2/2008 Moon D14/223
- D568,301 S * 5/2008 Kim D14/205
- D581,395 S * 11/2008 Sade D14/205
- D582,388 S * 12/2008 Nielsen D14/205
- D590,813 S * 4/2009 Bradford D14/205
- D595,698 S * 7/2009 Guccione D14/223
- D597,084 S * 7/2009 Gondo D14/223
- D603,378 S * 11/2009 Paradise D14/223
- D624,529 S * 9/2010 Huang D14/223
- D634,305 S * 3/2011 Hoggarth D14/223
- D635,960 S * 4/2011 Gondo D14/223
- D645,456 S * 9/2011 Carr D14/223
- D645,457 S * 9/2011 Carr D14/223
- 8,061,473 B1 * 11/2011 Kerr A61F 11/008
181/135
- D681,014 S * 4/2013 Ham D14/223
- D705,936 S * 5/2014 Lockenwitz D24/174

(Continued)

Primary Examiner — Paula Allen Greene

(74) *Attorney, Agent, or Firm* — Getech Law LLC; Jun Ye

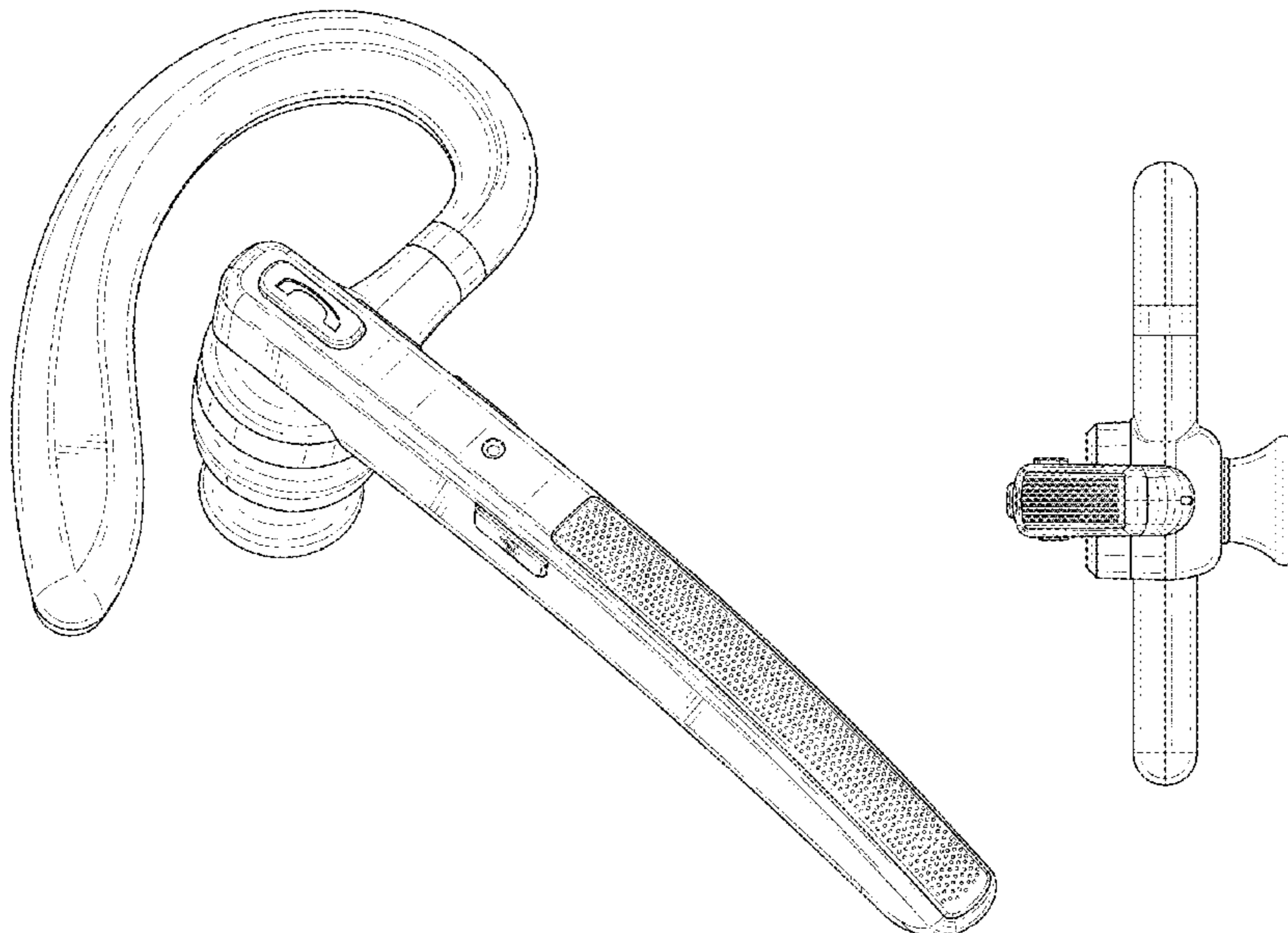
(57) **CLAIM**

The ornamental design for earphone, as shown and described.

DESCRIPTION

FIG. 1 is a perspective view of an earphone in accordance with the present invention;
 FIG. 2 is another perspective view of an earphone in accordance with the present invention;
 FIG. 3 is a front view thereof;
 FIG. 4 is a bottom view thereof;
 FIG. 5 is a top view thereof;
 FIG. 6 is a left view thereof;
 FIG. 7 is a right view thereof; and,
 FIG. 8 is a rear view thereof.
 The broken lines depict environment that forms no part of the claimed design.

1 Claim, 8 Drawing Sheets



(56)

References Cited

U.S. PATENT DOCUMENTS

D708,599 S * 7/2014 Ang H04R 1/10
D14/223
D712,382 S * 9/2014 Brunner D14/223
D713,822 S * 9/2014 Paradise D14/223
D717,771 S * 11/2014 Harper D14/223
D726,147 S * 4/2015 Tran D14/206
D734,744 S * 7/2015 Brunner D14/223
D746,260 S * 12/2015 Goransson D14/206
D750,043 S * 2/2016 Birger D14/206
9,307,311 B2 * 4/2016 Tran H04R 1/105
D784,290 S * 4/2017 Paterson D14/205
D784,291 S * 4/2017 Paterson D14/206
D789,331 S * 6/2017 Paterson D14/225
D797,076 S * 9/2017 Zhang D14/206
D800,692 S * 10/2017 Tan D14/206
D804,035 S * 11/2017 Gabathuler D24/174
D812,040 S * 3/2018 Yan D14/206
D828,327 S * 9/2018 Birger D14/206
D830,337 S * 10/2018 Yan D14/206
D830,338 S * 10/2018 Yan D14/206
D838,688 S * 1/2019 Liu D14/206
D850,408 S * 6/2019 Kawabata D14/206
D851,065 S * 6/2019 Yan D14/206
D863,254 S * 10/2019 Hu D14/206
D870,697 S * 12/2019 Guo D14/206
D872,707 S * 1/2020 Liu D14/206
D879,068 S * 3/2020 Yan D14/206
D883,951 S * 5/2020 Yan D14/206
2015/0237434 A1 * 8/2015 Tran H04R 1/1008
381/380
2017/0339489 A1 * 11/2017 Sheen H04R 29/001

* cited by examiner

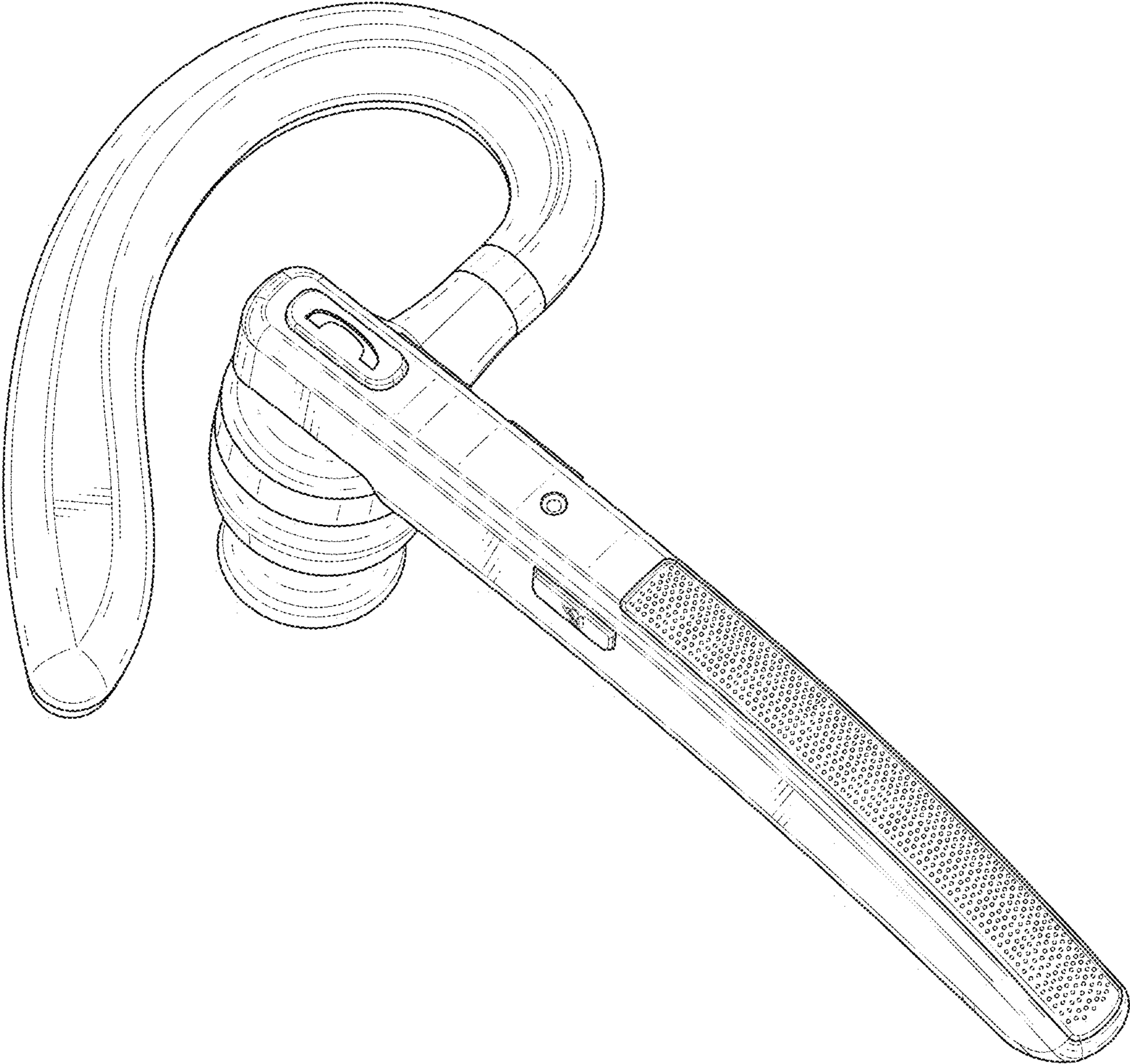


FIG. 1

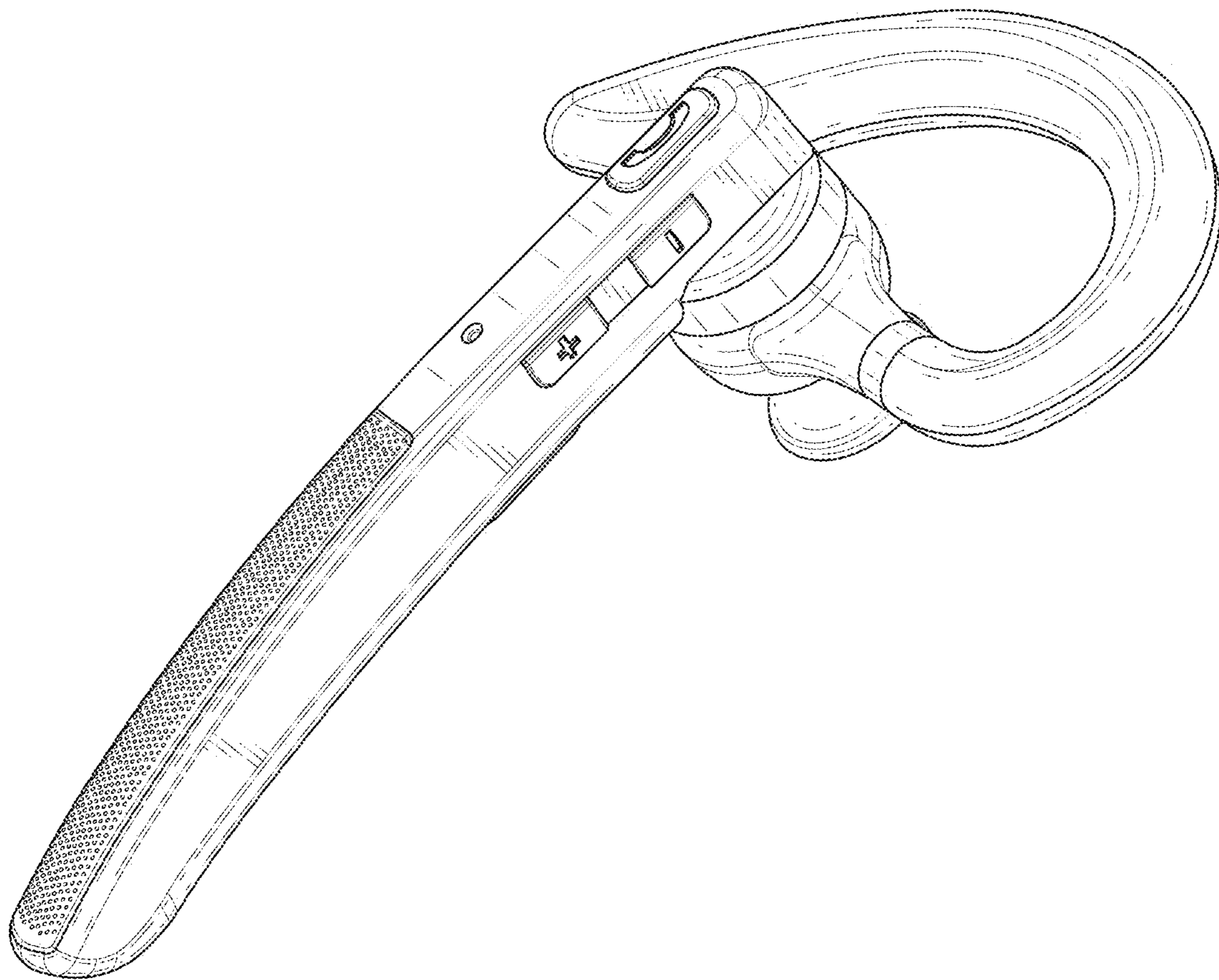


FIG. 2

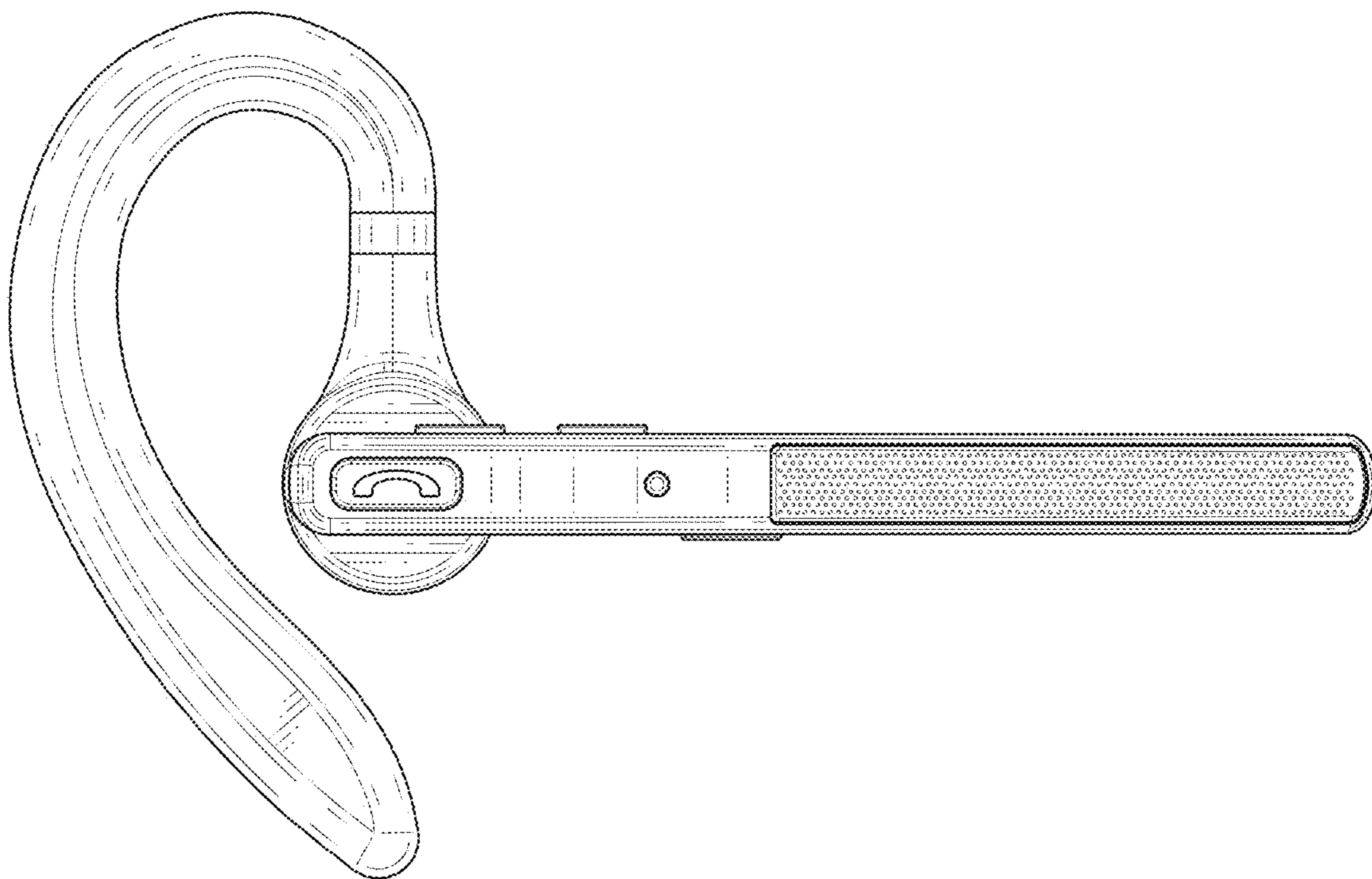


FIG. 3

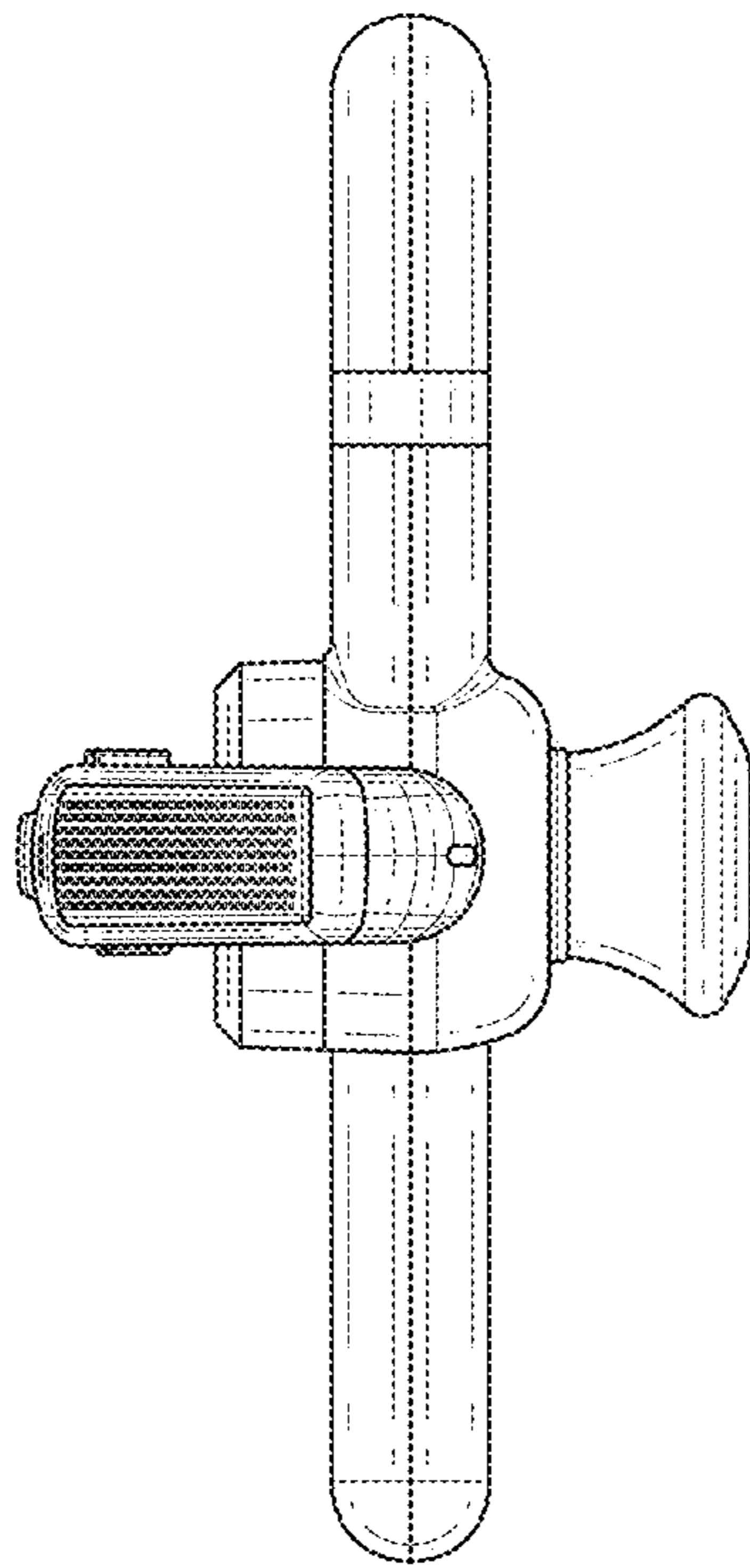


FIG. 4

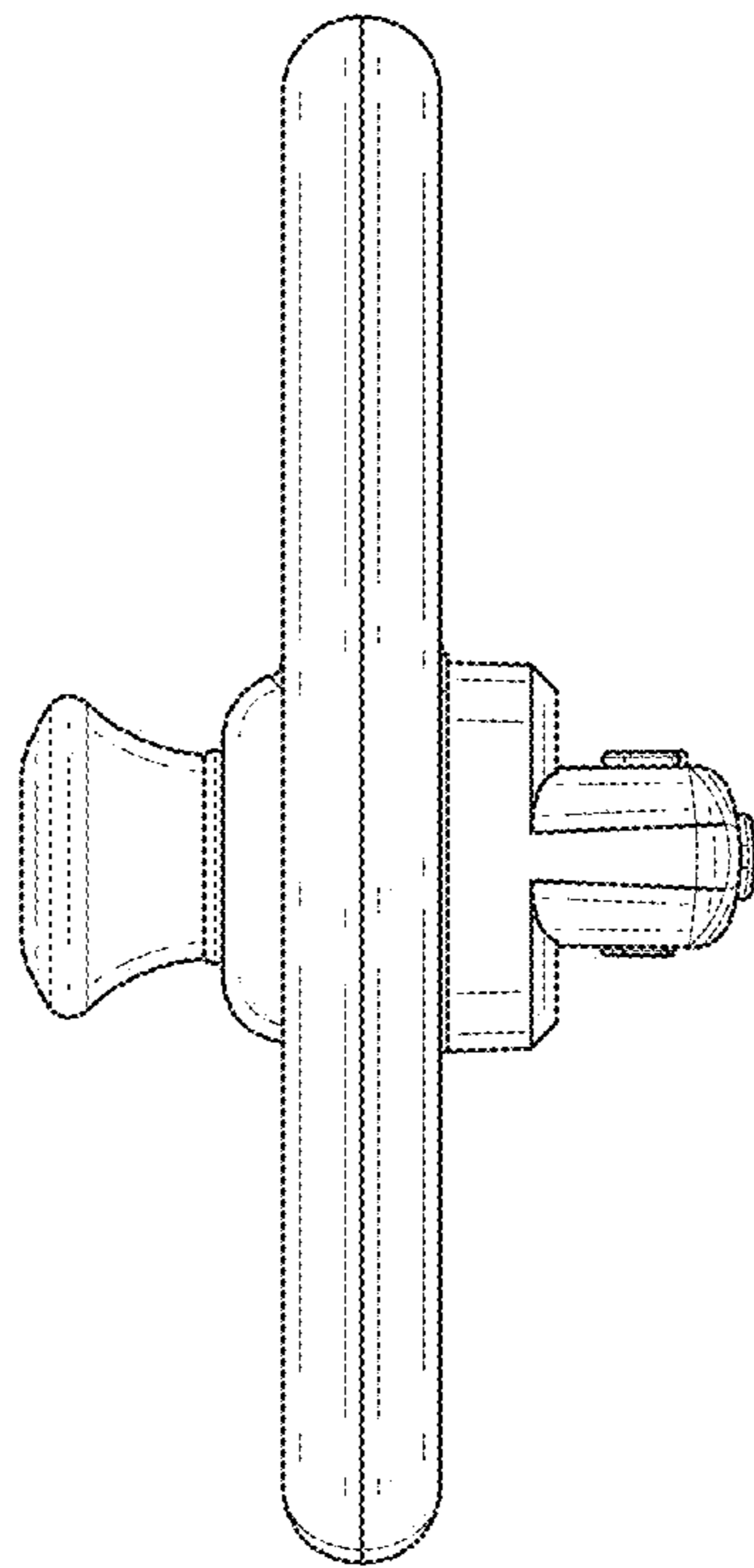


FIG. 5

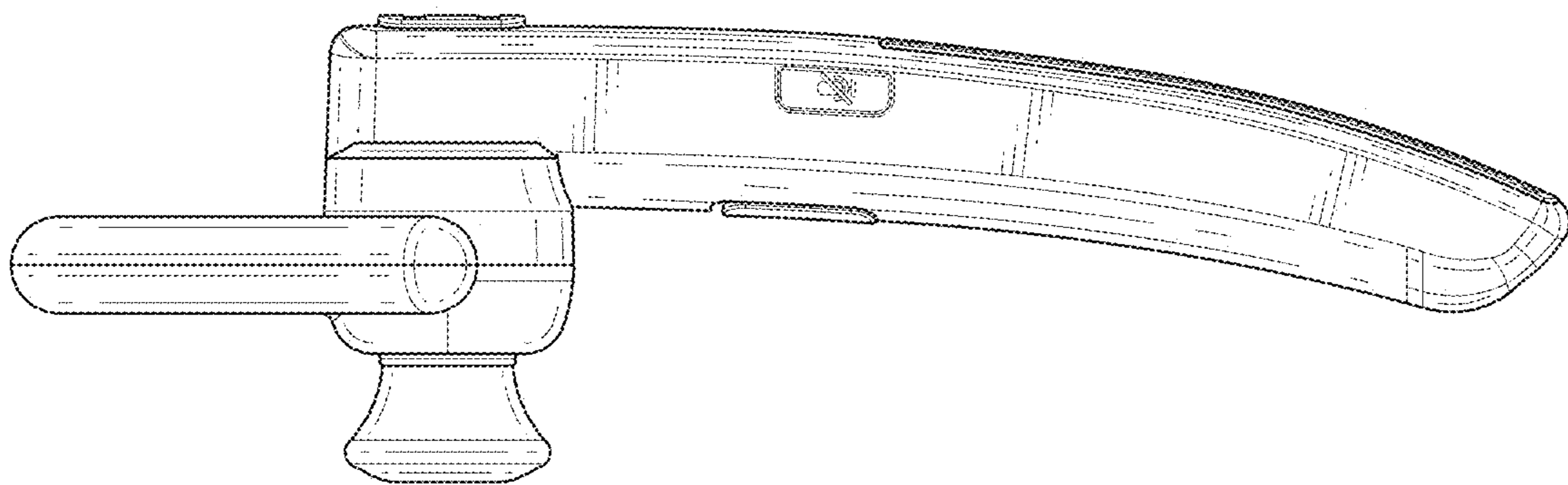


FIG. 6

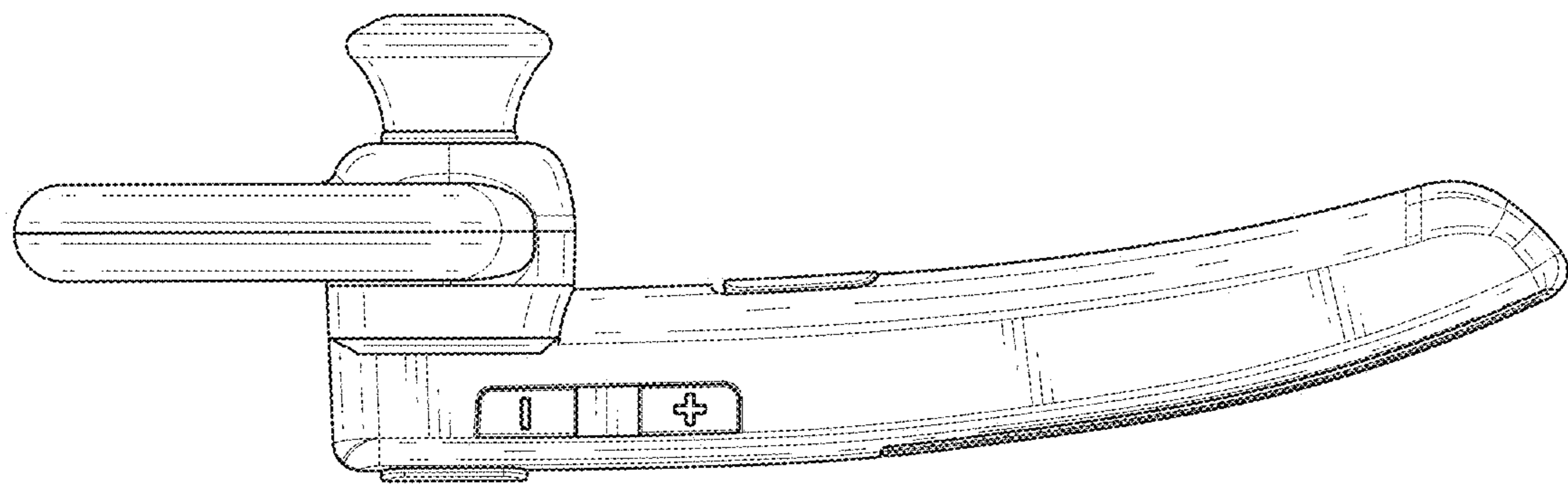


FIG. 7

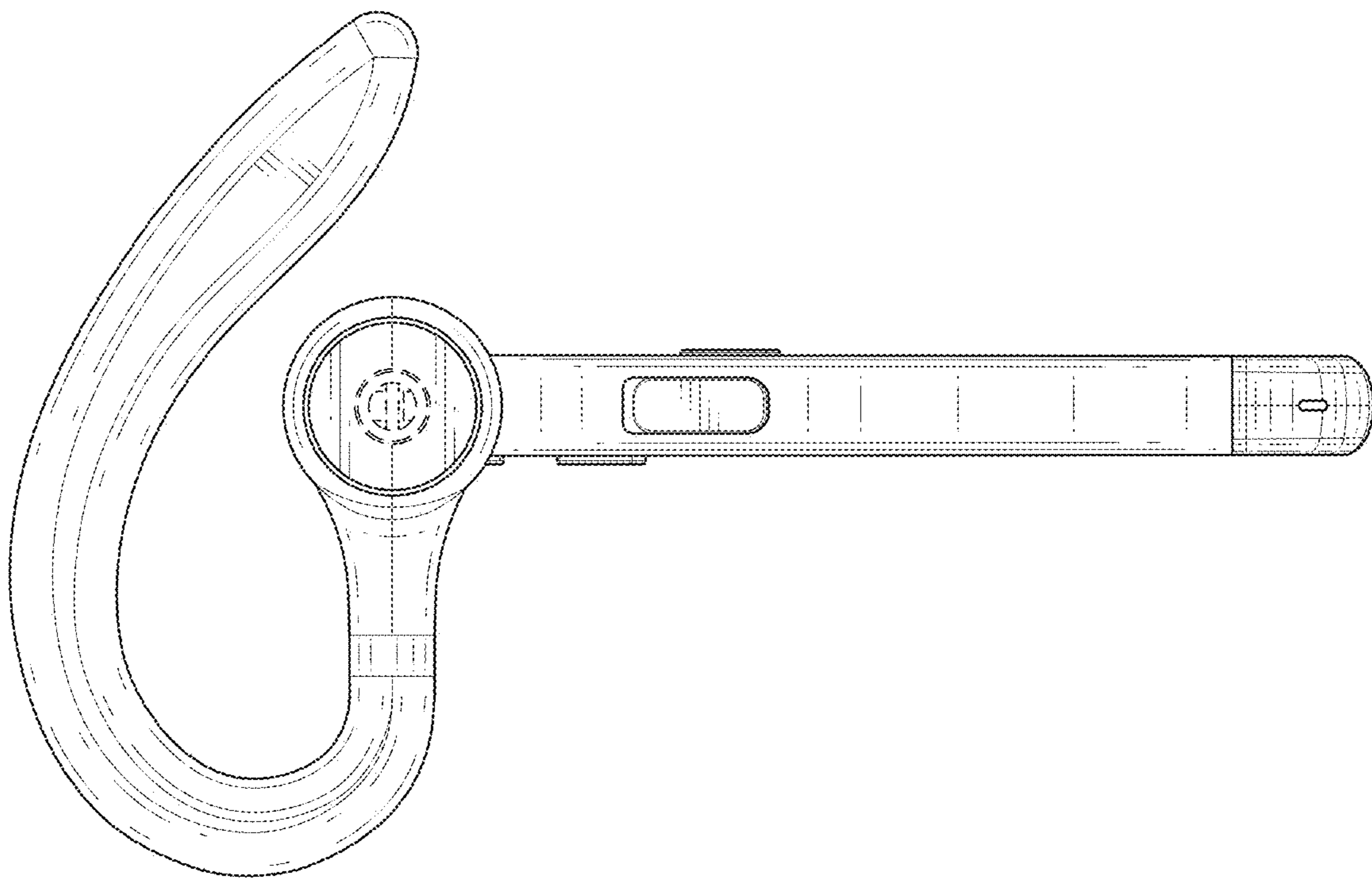


FIG. 8