



US00D913262S

(12) **United States Design Patent**
Allen

(10) **Patent No.:** **US D913,262 S**
(45) **Date of Patent:** **** Mar. 16, 2021**

(54) **RECESSED SPEAKER RECEPTACLE**

(71) Applicant: **Research & Design Innovations, LLC**,
Branford, CT (US)

(72) Inventor: **Donald Terry Allen**, Madison, CT (US)

(73) Assignee: **Research & Design Innovations, LLC**,
Branford, CT (US)

(**) Term: **15 Years**

(21) Appl. No.: **29/678,867**

(22) Filed: **Jan. 31, 2019**

(51) **LOC (13) Cl.** **14-01**

(52) **U.S. Cl.**
USPC **D14/204**; D14/215; D14/216

(58) **Field of Classification Search**
USPC D14/204, 209, 210, 215, 216; D26/26,
D26/36, 74

CPC .. G10K 13/00; G10K 9/13; H01F 1/03; H01F
3/10; H01F 7/0289

See application file for complete search history.

(56) **References Cited**

U.S. PATENT DOCUMENTS

2,255,431 A *	9/1941	Marden	C09K 11/025 313/485
D182,672 S *	4/1958	Korabowski	D10/106.1
D248,647 S *	7/1978	Nussdorfer	D14/216
D250,586 S *	12/1978	Nussdorfer	D14/216
D270,533 S *	9/1983	Piercy	D14/224
D270,909 S *	10/1983	Iijima	D14/216
D283,891 S *	5/1986	Parshad	D14/228
D325,999 S *	5/1992	Sonneman	D26/152
D357,480 S *	4/1995	Lumsden	D14/224
D363,935 S *	11/1995	McGreevy	D14/230
D370,550 S *	6/1996	Lecluze	D26/118
D381,454 S *	7/1997	Lecluze	D26/118

(Continued)

FOREIGN PATENT DOCUMENTS

CN 201530176031 * 10/2015
JP D2015-15301 * 3/2016

(Continued)

OTHER PUBLICATIONS

Speaker, pd n/a, [retrieved Apr. 30, 2020], <[https://www.graybar.com/store/en/gb/ceiling-speaker-back-box-88037229?cm_mmc=pla:google-_googleshopping-_-88037229&utm_medium=cpc&utm_campaign=MM-7671-Paid-%E2%80%A61/1#{Use With:TB8 \(Tile Support Bridge\)}&{Dimensions:12-1/4 Dia. x 4-1/2 in. D}&{Color:White}>](https://www.graybar.com/store/en/gb/ceiling-speaker-back-box-88037229?cm_mmc=pla:google-_googleshopping-_-88037229&utm_medium=cpc&utm_campaign=MM-7671-Paid-%E2%80%A61/1#{Use With:TB8 (Tile Support Bridge)}&{Dimensions:12-1/4 Dia. x 4-1/2 in. D}&{Color:White}>) (Year: 2020).*

(Continued)

Primary Examiner — Barbara Fox

Assistant Examiner — Aram Kwon

(74) *Attorney, Agent, or Firm* — DeLio Peterson &
Curcio LLC; Thomas E. Ciesco

(57) **CLAIM**

The ornamental design for a recessed speaker receptacle, as shown and described.

DESCRIPTION

FIG. 1 is a bottom perspective view of the recessed speaker receptacle design according to my invention;

FIG. 2 is a top perspective view of the recessed speaker receptacle shown in FIG. 1;

FIG. 3 is a side elevational view of the recessed speaker receptacle shown in FIG. 1;

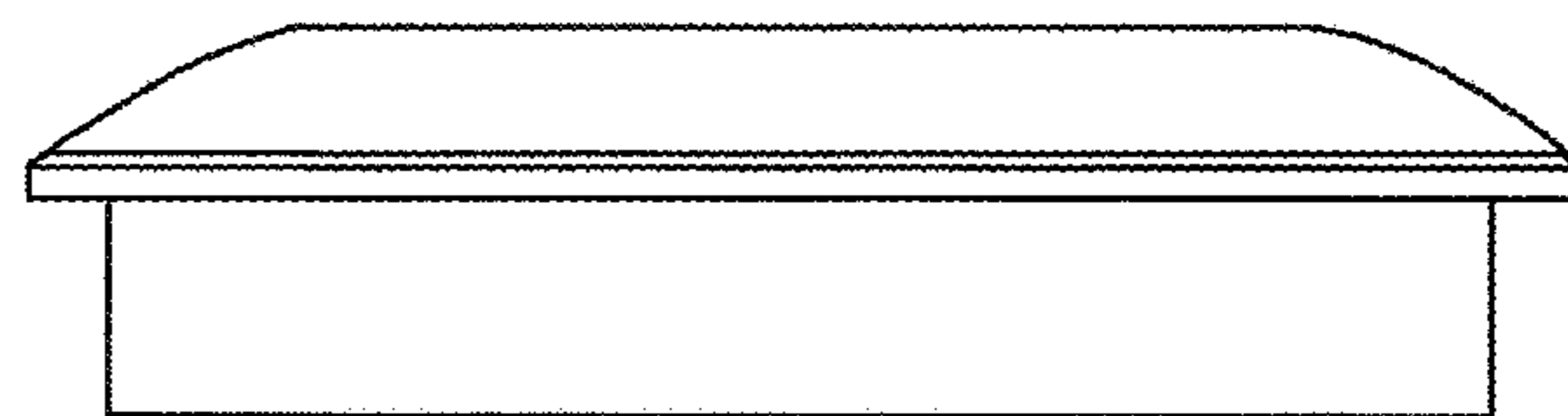
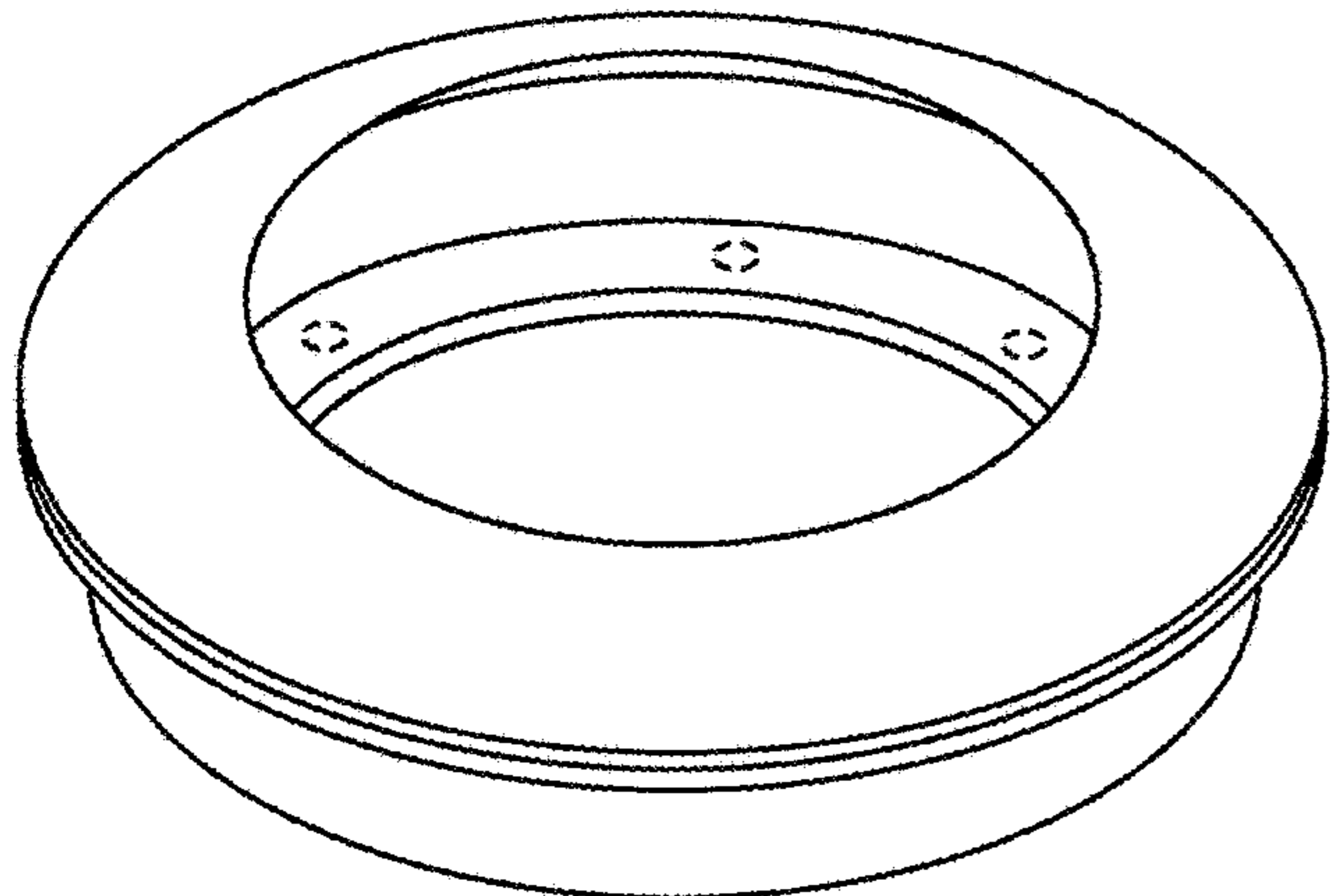
FIG. 4 is a bottom plan view of the recessed speaker receptacle shown in FIG. 1; and,

FIG. 5 is a top plan view of the recessed speaker receptacle shown in FIG. 1.

The side elevational view shown is FIG. 3 is also indicative of all side, front and rear elevational views since the recessed speaker receptacle is cylindrical.

Portions of the recessed speaker receptacle are shown in phantom lines and form no part of the design.

1 Claim, 2 Drawing Sheets



(56)

References Cited

U.S. PATENT DOCUMENTS

D386,805 S * 11/1997 Bonnette D26/61
 D390,482 S * 2/1998 Pasquarette D10/50
 D397,490 S * 8/1998 Lecluze D26/118
 D407,985 S * 4/1999 Pimentel D10/104.2
 D416,445 S * 11/1999 Henry D7/354
 D425,477 S * 5/2000 Buckle D13/103
 D488,252 S * 4/2004 Benghozi D26/118
 6,851,513 B2 * 2/2005 Stead G10K 13/00
 181/157
 D511,020 S * 10/2005 Egawa D26/74
 7,128,213 B2 * 10/2006 Tung A61J 7/04
 206/538
 D553,123 S * 10/2007 Solland D14/217
 D570,532 S * 6/2008 Camarota D26/120
 D604,454 S * 11/2009 Majidi D26/142
 D606,404 S * 12/2009 Diss D9/428
 D626,963 S * 11/2010 Kim D14/420
 D642,722 S * 8/2011 Oberpriller D26/67
 D643,833 S * 8/2011 Lee D14/223
 D647,227 S * 10/2011 Kaule D26/24
 D656,130 S * 3/2012 Bailey D14/227
 D695,258 S * 12/2013 Hauser D14/155
 D698,670 S * 2/2014 Luo D10/49
 D712,082 S * 8/2014 Harpenau D26/74
 8,976,940 B2 * 3/2015 Maxwell H04M 3/02
 379/376.01
 D726,950 S * 4/2015 Serwacki D26/74
 D737,497 S * 8/2015 Burgess D26/113
 D747,540 S * 1/2016 Serwacki D26/138
 D756,828 S * 5/2016 Wettre D10/106.5
 D758,470 S * 6/2016 Kircher D16/219
 D769,503 S * 10/2016 Van Lierde D26/74
 D771,600 S * 11/2016 Hinokio D14/228
 D777,367 S * 1/2017 Ma D26/104
 D797,980 S * 9/2017 Maxik D26/89
 D801,407 S * 10/2017 Kullgren D16/203
 D811,462 S * 2/2018 Axelsson D16/203
 D837,863 S * 1/2019 Persson D16/203
 D854,517 S * 7/2019 Telle D14/216
 D856,316 S * 8/2019 Yang D14/230

D857,670 S * 8/2019 Yang D14/230
 D866,517 S * 11/2019 Wakasa D14/216
 D873,795 S * 1/2020 Susterman D14/216
 D875,084 S * 2/2020 Lopez Castillo D14/221
 D890,700 S * 7/2020 Kawamoto D13/110
 2005/0258066 A1 * 11/2005 Conley A61J 7/0481
 206/538
 2007/0189573 A1 * 8/2007 Hayasaka H04R 1/2842
 381/396
 2007/0207883 A1 * 9/2007 Kenner A63H 33/18
 473/588
 2007/0274070 A1 * 11/2007 Wedell F21V 5/045
 362/244
 2011/0080727 A1 * 4/2011 Maxik F21V 29/773
 362/235
 2015/0358538 A1 * 12/2015 Donaldson G03B 17/55
 348/48
 2016/0165353 A1 * 6/2016 Cardas H04R 9/025
 381/420

FOREIGN PATENT DOCUMENTS

JP D2015-19579 * 4/2016
 JP D2018-3606 * 8/2018

OTHER PUBLICATIONS

Contemporary Recessed Metal Pull, (C) 2019 [online], [retrieved Apr. 30, 2020], Retrieved from internet, URL: <<https://www.wayfair.com/home-improvement/pdp/richelieu-contemporary-recessed-metal-pull-rhc2655.html?piid=20460637>> (Year: 2019).*
 Traditional Recessed Forged Iron Pull, (C) 2017 [online], [retrieved Apr. 30, 2020], Retrieved from internet, URL: <<https://www.wayfair.com/home-improvement/pdp/richelieu-traditional-recessed-forged-iron-pull-3-532-recessed-pull-rhc2590.html?piid=>>> (Year: 2017).*
 Satin Aluminum 5" LED Recessed Lighting Kit, date not available, [retrieved Oct. 26, 2020], Retrieved from Internet, URL: <<https://www.wayfair.com/lighting/pdx/mr-steam-5-led-recessed-lighting-kit-ndru1087.html>> (Year: 2020).*

* cited by examiner

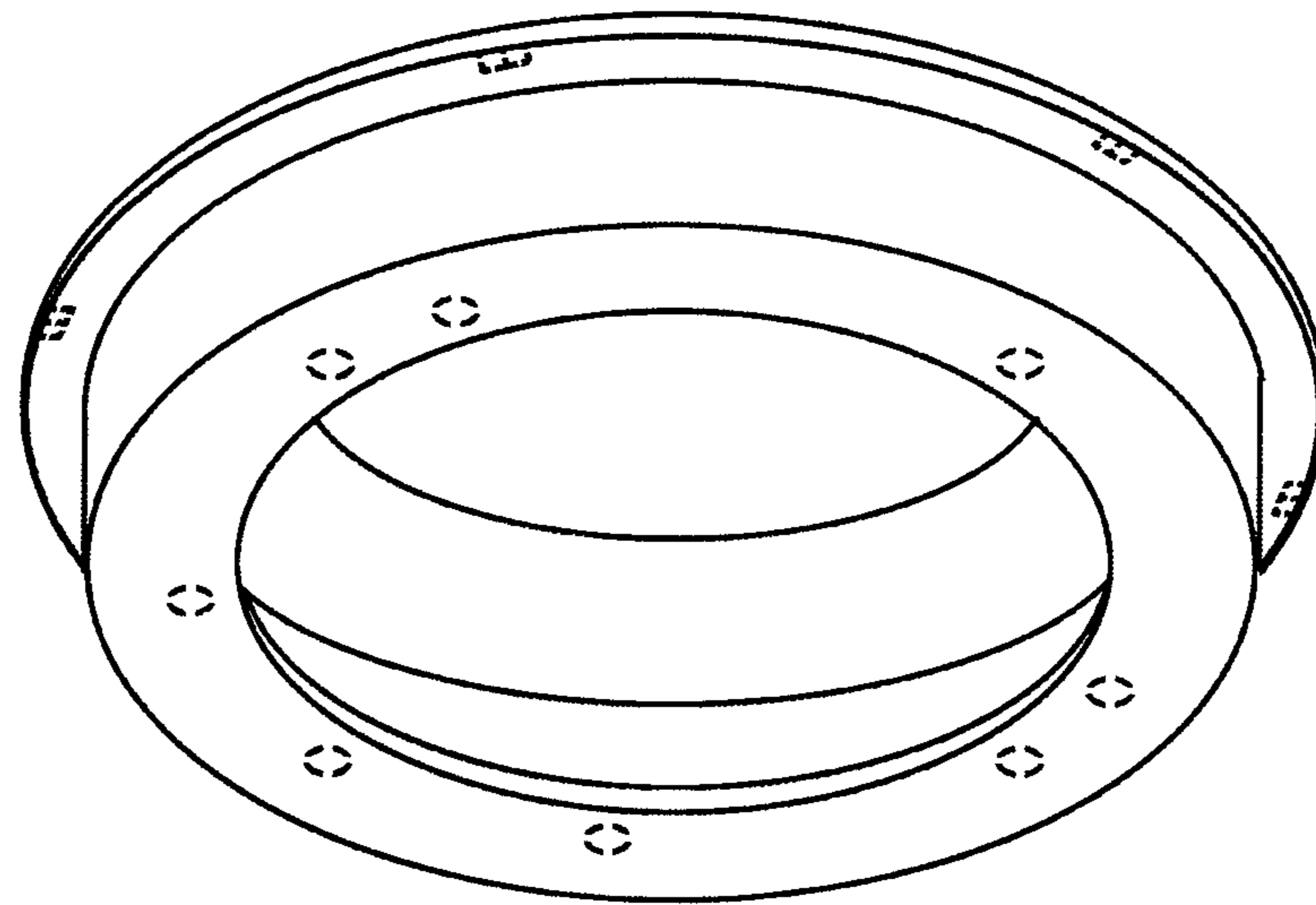


FIG. 1

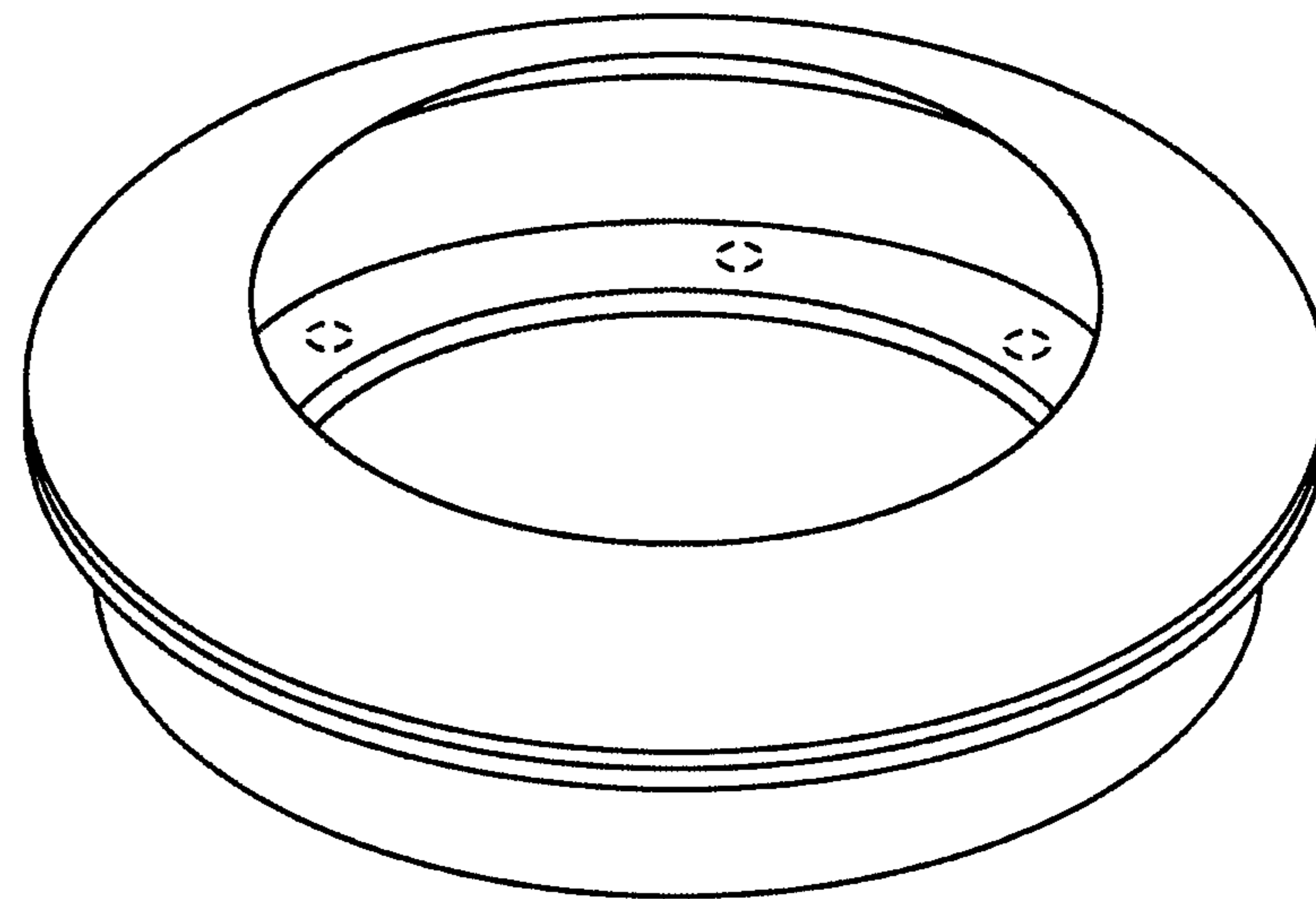


FIG. 2

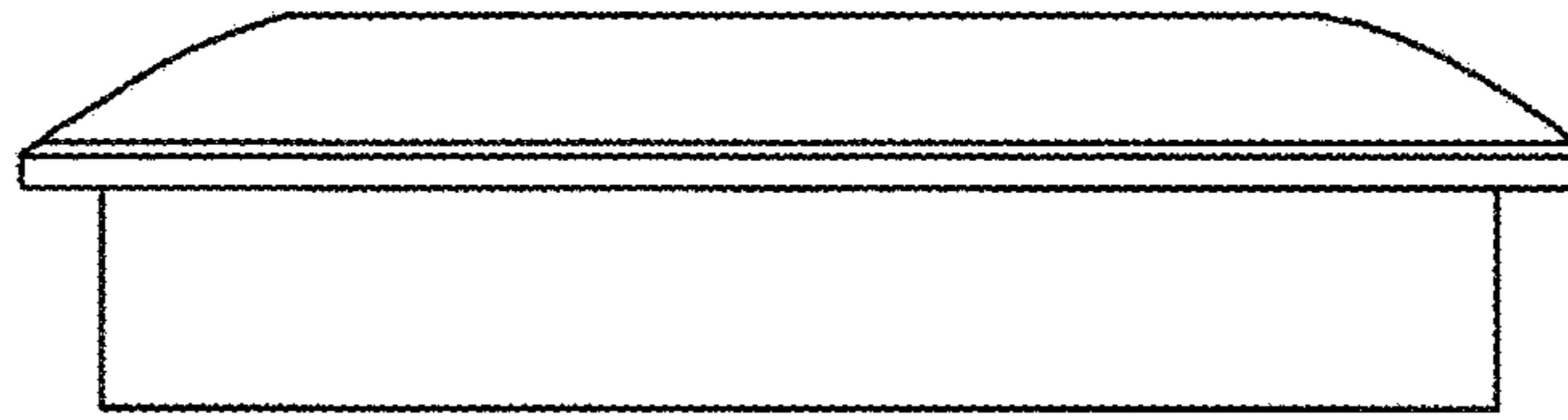


FIG. 3

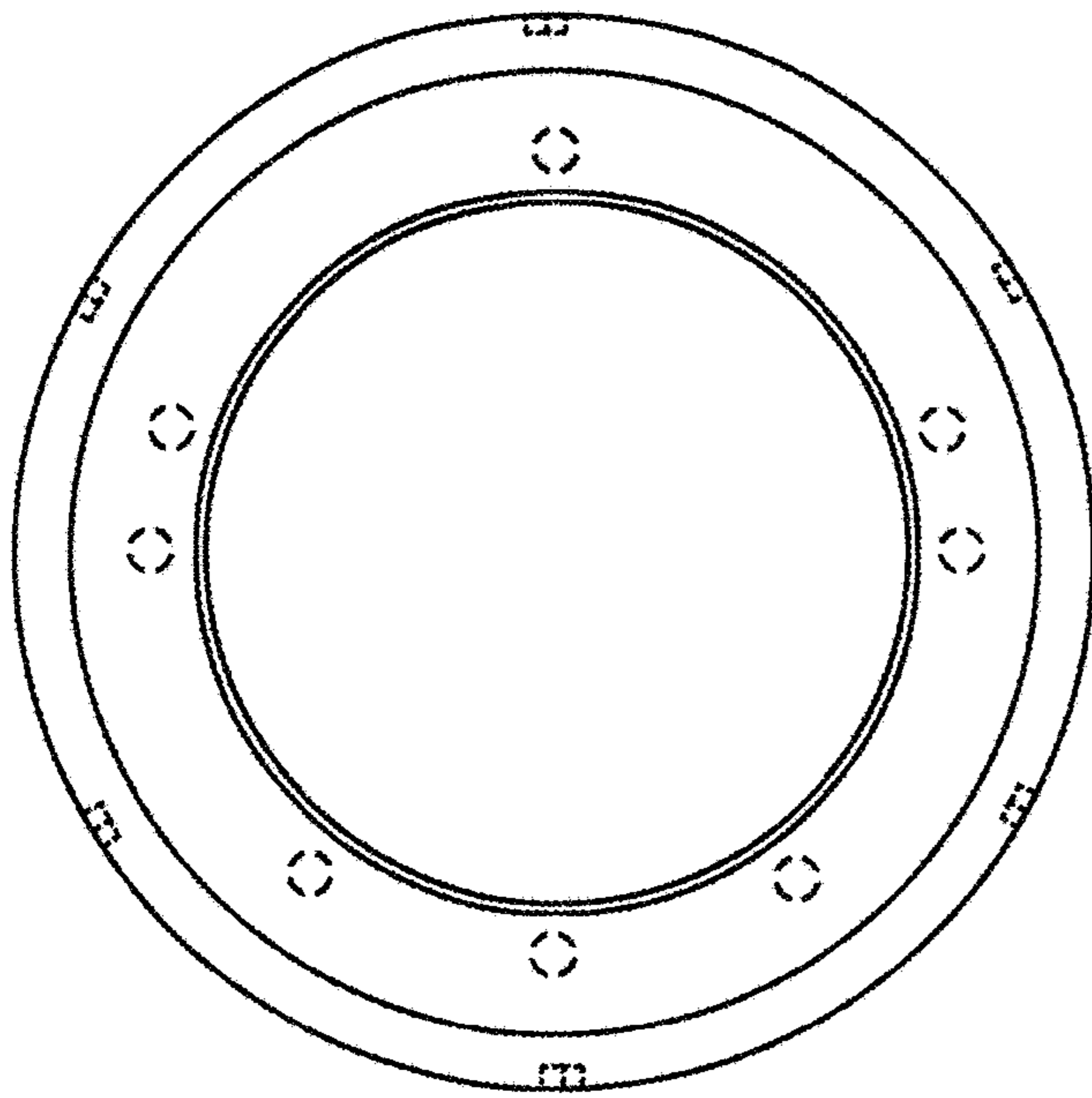


FIG. 4

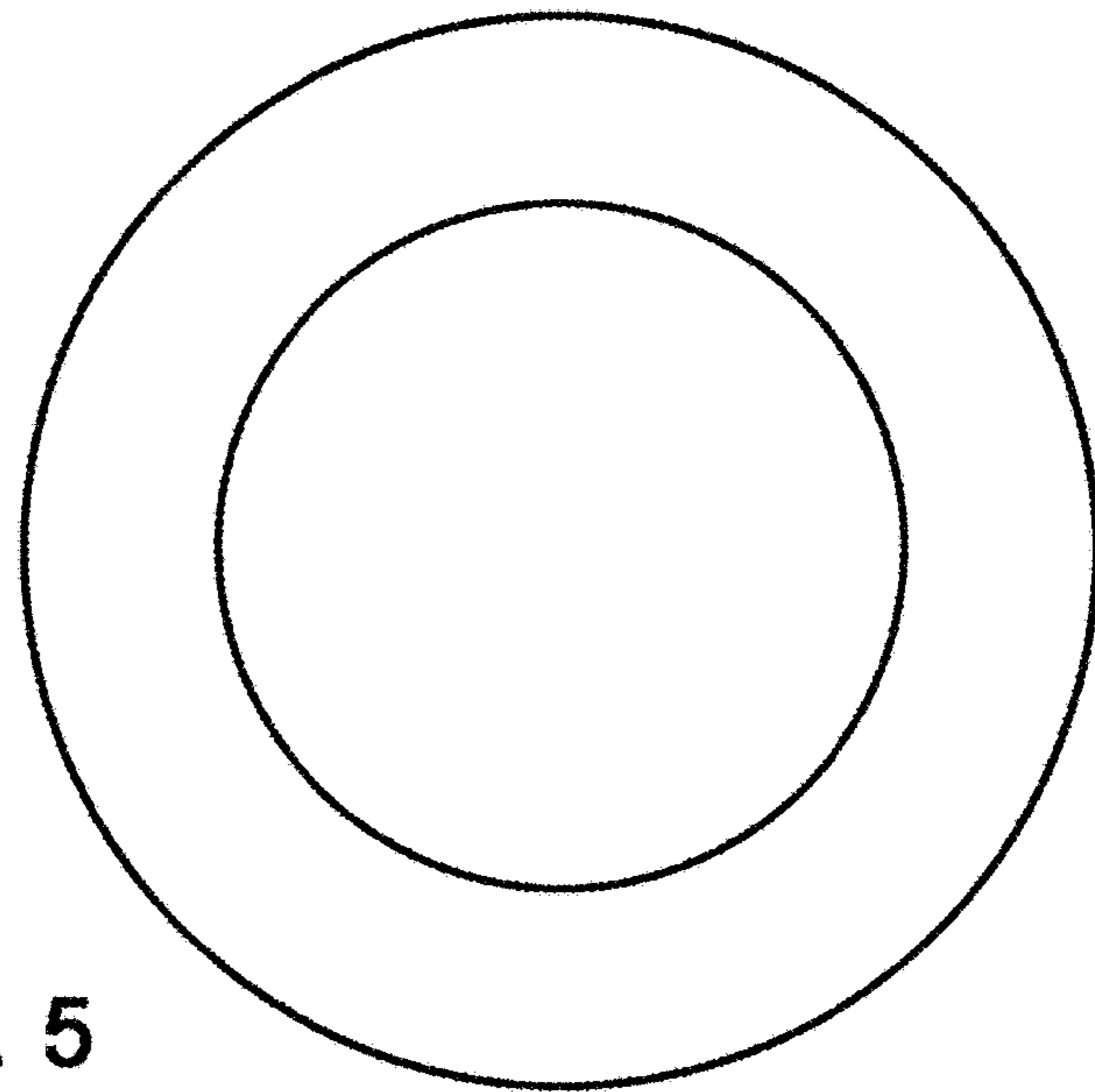


FIG. 5