



US00D913257S

(12) **United States Design Patent**
Tuccinardi

(10) **Patent No.:** **US D913,257 S**

(45) **Date of Patent:** **** *Mar. 16, 2021**

(54) **VEHICLE ENTERTAINMENT SYSTEM FOR A HEADREST**

(71) Applicant: **Eugene Michael Tuccinardi**, Temecula, CA (US)

(72) Inventor: **Eugene Michael Tuccinardi**, Temecula, CA (US)

(73) Assignee: **Eugene M. Tuccinardi**, Temecula, CA (US)

(*) Notice: This patent is subject to a terminal disclaimer.

(**) Term: **14 Years**

(21) Appl. No.: **29/520,291**

(22) Filed: **Mar. 12, 2015**

(51) **LOC (13) Cl.** **14-03**

(52) **U.S. Cl.**
USPC **D14/129**

(58) **Field of Classification Search**
USPC D12/345, 415-418; D14/125-134, 239, D14/371, 374-376; D21/329, 515
CPC B60R 11/0235; B60R 2011/0017; B60R 2011/0085; B60R 2011/0082; H04N 5/64
See application file for complete search history.

(56) **References Cited**

U.S. PATENT DOCUMENTS

D515,522 S *	2/2006	Vitito	D14/126
D564,991 S *	3/2008	Vitito	D14/126
D594,431 S *	6/2009	Vitito	D14/129
D597,980 S *	8/2009	Vitito	D14/126
D635,108 S *	3/2011	Hughes	D14/129
D691,103 S *	10/2013	Tuccinardi	D14/129
10,247,944 B2 *	4/2019	Amaru	G02B 27/0149

10,377,287 B2 *	8/2019	Navarro	B60N 2/879
2004/0032543 A1 *	2/2004	Chang	B60R 11/0235 348/837
2004/0227861 A1 *	11/2004	Schedivy	B60N 2/4876 348/837
2006/0119151 A1 *	6/2006	Vitito	B60K 35/00 297/217.3
2006/0148577 A1 *	7/2006	Vitito	B60K 35/00 463/46

OTHER PUBLICATIONS

EBay, posted on Aug. 6, 2016, © 1995-2016 eBay, Inc. [online], [site visited Sep. 13, 2016]. Available from Internet, <URL: http://www.ebay.com/sch/Audiovox-Headrest-Car-Video-Monitors-with-Built-In-Player/175712/bn_881968/i.html>.*

* cited by examiner

Primary Examiner — Cary M Robinson

(74) *Attorney, Agent, or Firm* — Barcelo, Harrison & Walker, LLP

(57) **CLAIM**

The ornamental design for vehicle entertainment system for a headrest, as shown and described.

DESCRIPTION

FIG. 1 depicts a perspective view of the vehicle entertainment system for a headrest, showing my new design.

FIG. 2 depicts a front view, thereof.

FIG. 3 depicts a right side view, thereof;

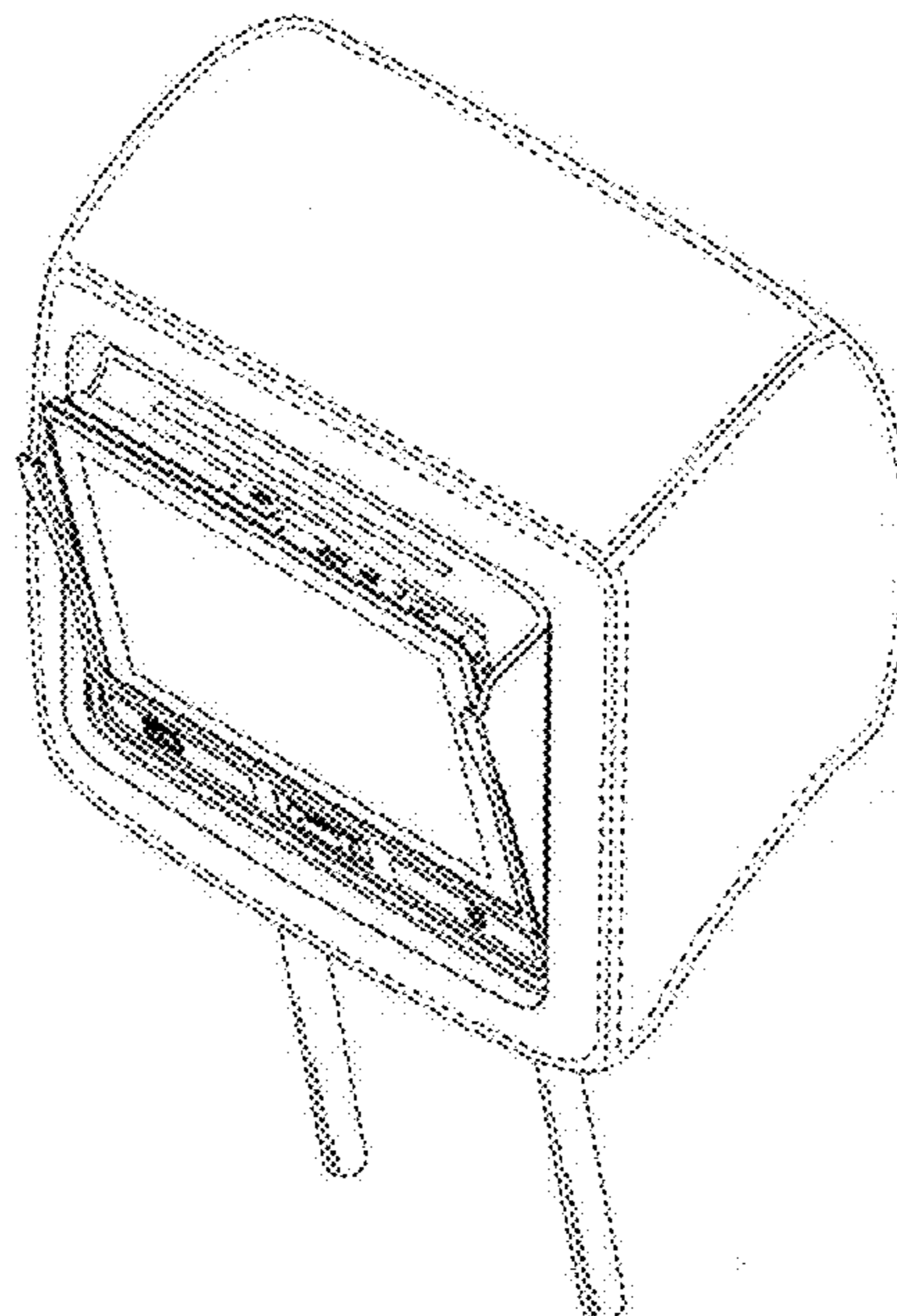
FIG. 4 depicts a left side view, thereof.

FIG. 5 depicts a top view, thereof; and,

FIG. 6 depicts bottom view, thereof.

The broken lines immediately adjacent to and following the contour of a solid line illustrate stitching and are part of the claimed design.

1 Claim, 4 Drawing Sheets



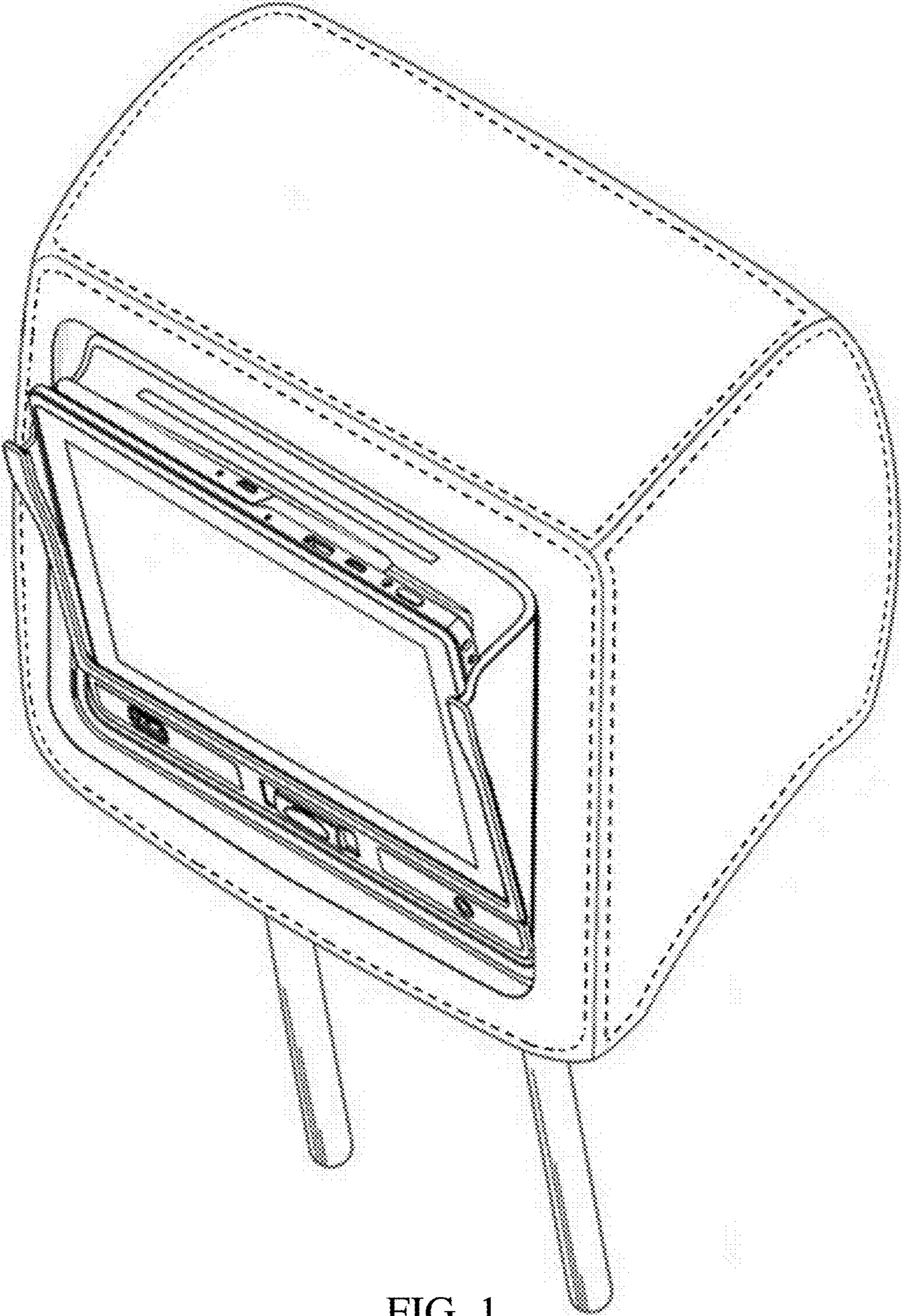


FIG. 1

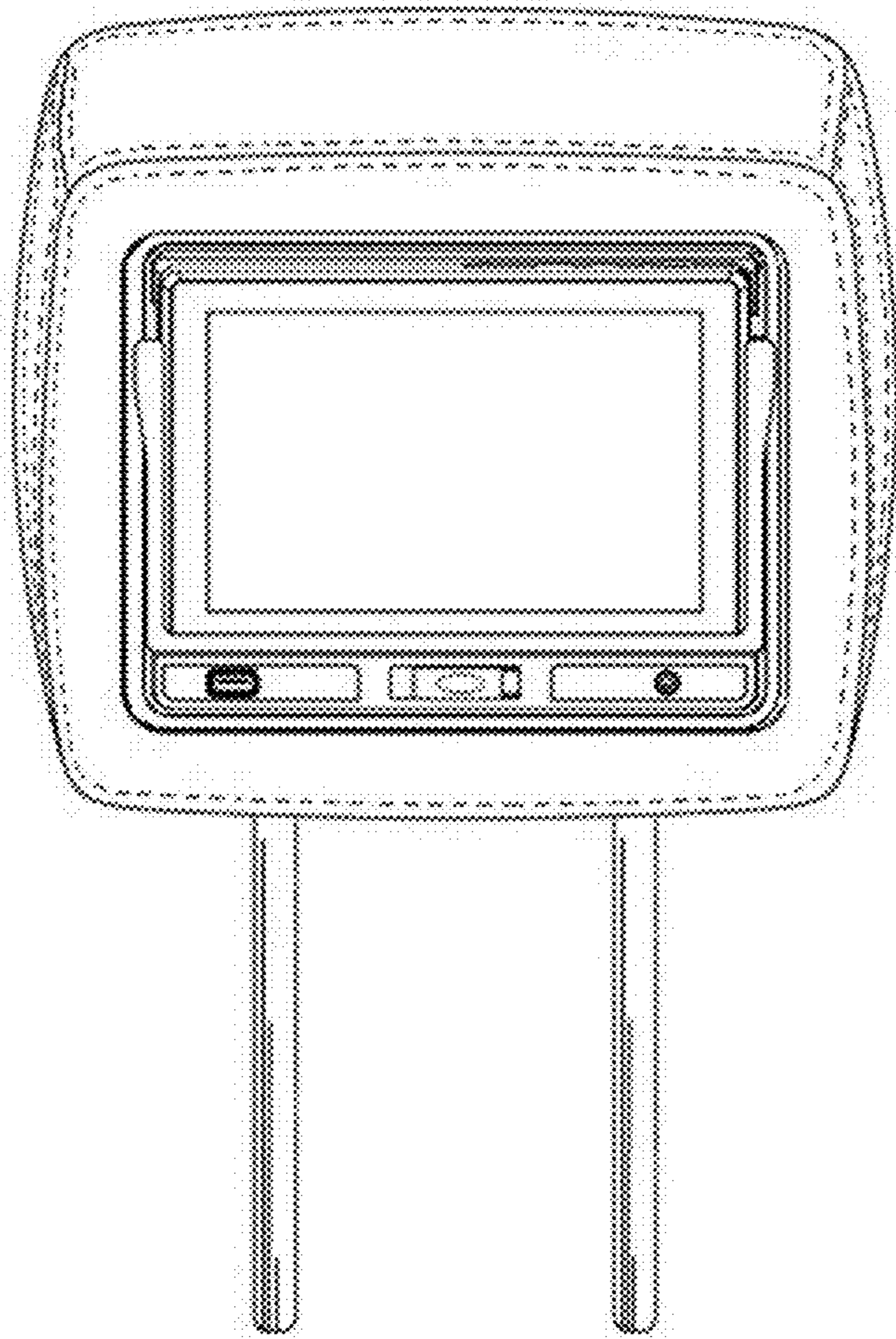


FIG. 2

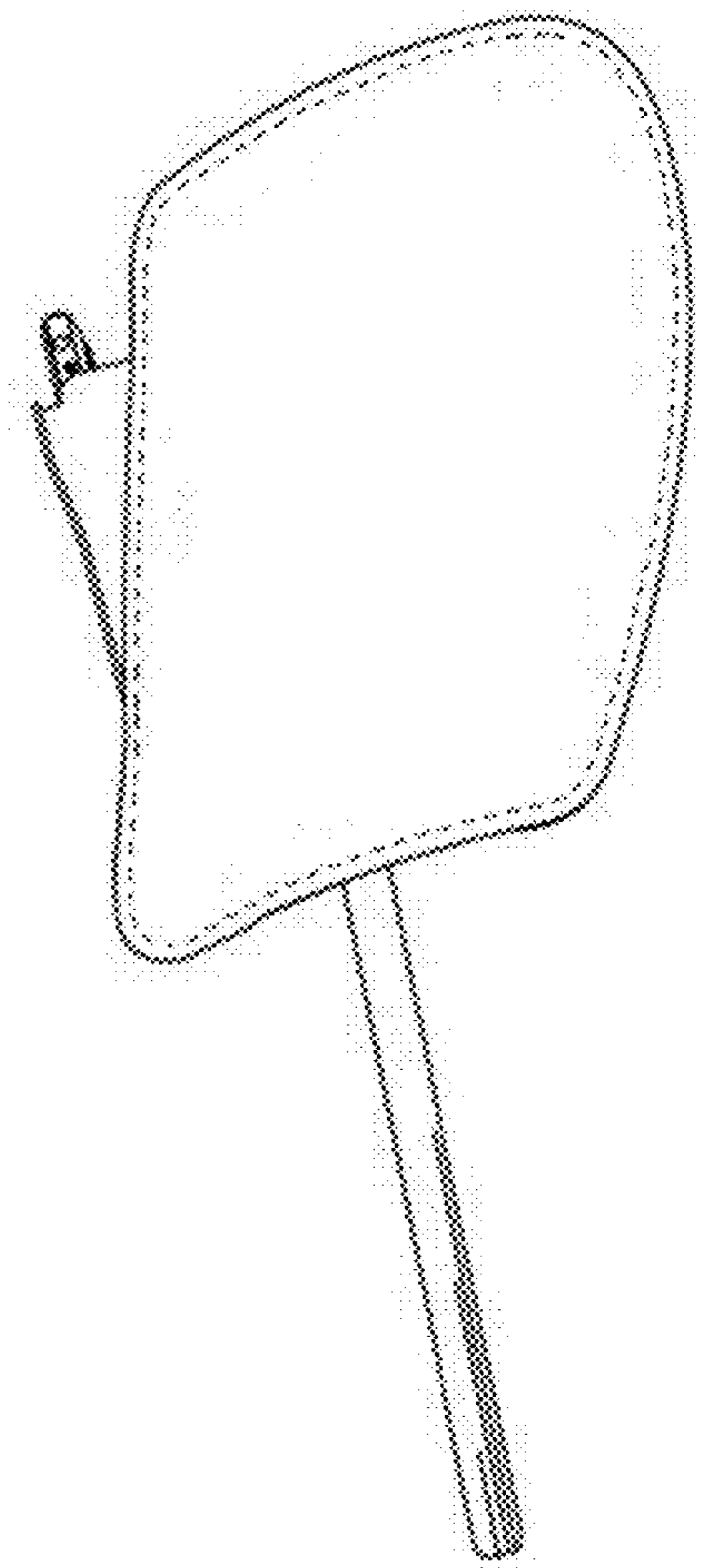


FIG. 3

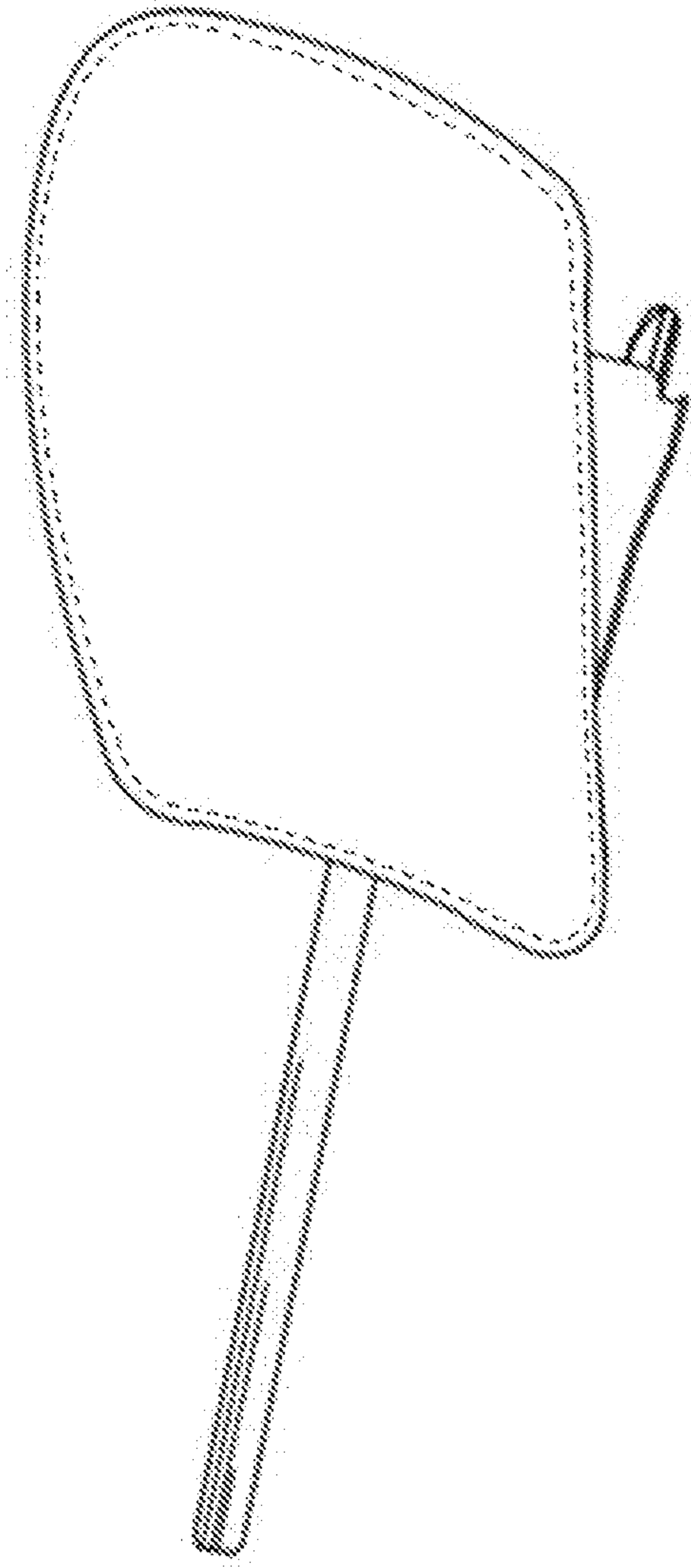


FIG. 4

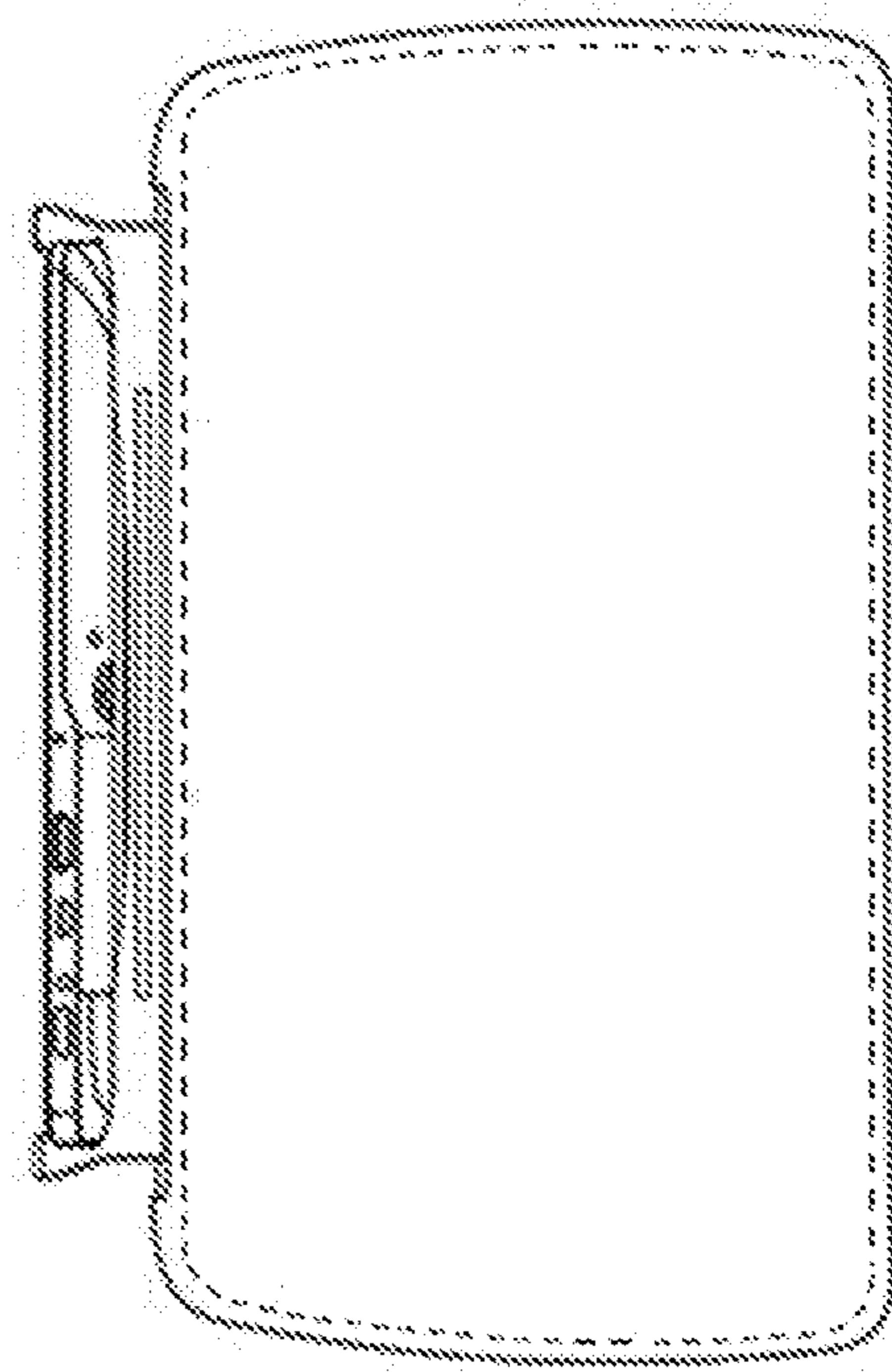


FIG. 5

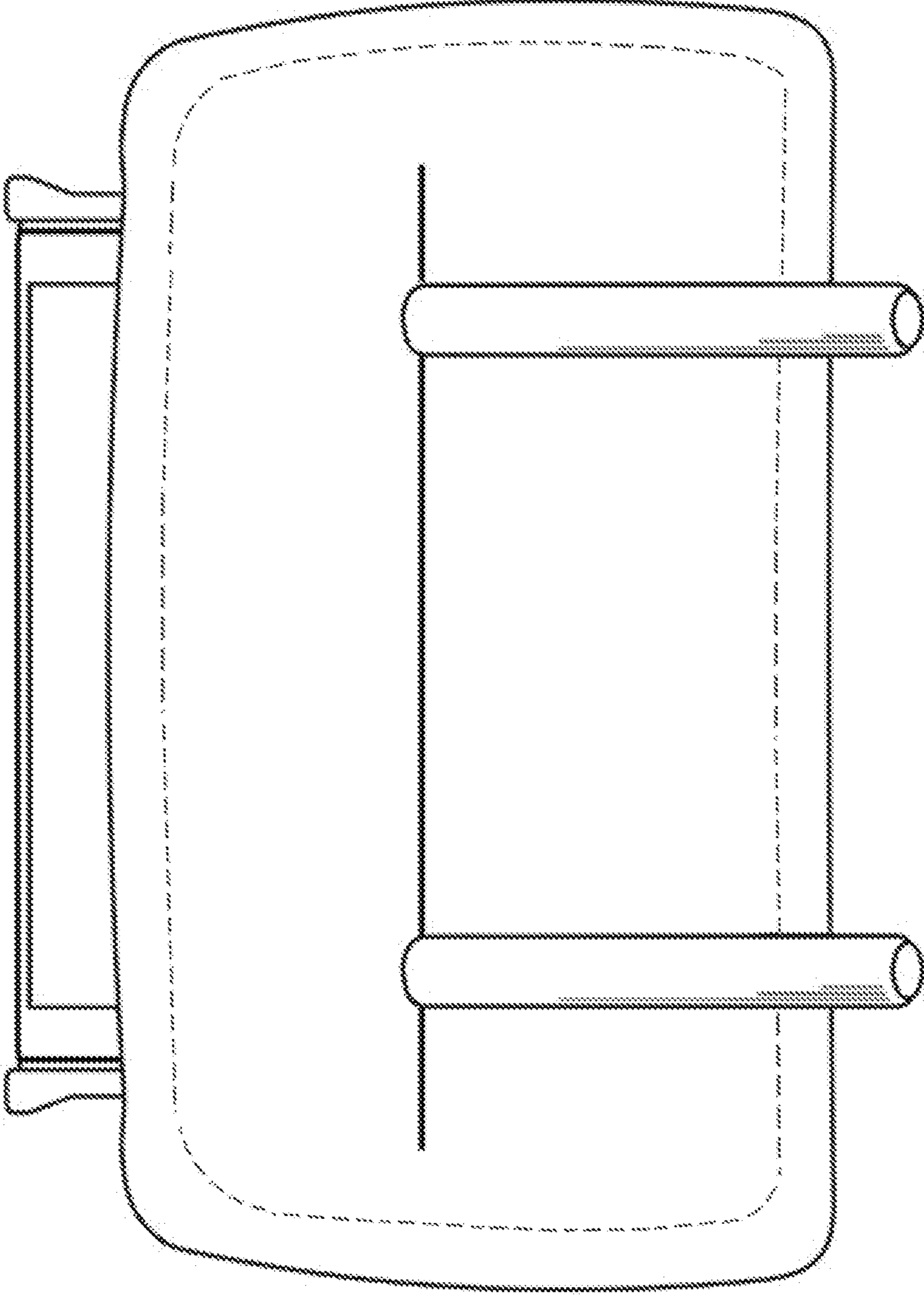


FIG. 6