



US00D913255S

(12) **United States Design Patent**  
**Kim et al.**

(10) **Patent No.:** **US D913,255 S**  
(45) **Date of Patent:** **\*\* Mar. 16, 2021**

(54) **SOCKET FOR VACUUM TUBE**

(71) Applicant: **LG ELECTRONICS INC.**, Seoul  
(KR)

(72) Inventors: **Jun Ki Kim**, Seoul (KR); **Sungyong Park**, Seoul (KR); **Chulhee Lim**, Seoul (KR); **Chaelin Lee**, Seoul (KR)

(73) Assignee: **LG ELECTRONICS INC.**, Seoul  
(KR)

(\*\*) Term: **15 Years**

(21) Appl. No.: **35/508,083**

(22) Filed: **May 21, 2019**

(80) **Hague Agreement Data**

Int. Filing Date: **May 21, 2019**  
Int. Reg. No.: **DM/204608**  
Int. Reg. Date: **May 21, 2019**  
Int. Reg. Pub. Date: **Dec. 13, 2019**

(30) **Foreign Application Priority Data**

Nov. 29, 2018 (KR) ..... 30-2018-0055930

(51) **LOC (13) Cl.** ..... **13-03**

(52) **U.S. Cl.**  
USPC ..... **D13/180**

(58) **Field of Classification Search**

USPC ..... D13/180, 154, 146, 134; D14/358;  
D8/349, 356; D26/72, 113, 138, 118;  
D10/114.1  
CPC ..... H01R 33/7664; H01R 33/7628;  
H01R 33/02; H01R 33/33945; H05K  
9/002

See application file for complete search history.

(56) **References Cited**

**U.S. PATENT DOCUMENTS**

1,535,261 A \* 4/1925 Simmons ..... H01R 33/945  
336/65  
2,099,610 A \* 11/1937 Ledder ..... H01R 33/02  
439/190

D115,158 S \* 6/1939 Maerz ..... D13/134  
2,451,538 A \* 10/1948 Del Camp ..... H01R 33/7628  
439/248  
2,499,612 A \* 3/1950 Staver ..... H05K 9/002  
174/395  
2,529,502 A \* 11/1950 Kelly ..... H01R 33/7664  
439/252  
D210,207 S \* 2/1968 DeLyon ..... D13/146  
D597,704 S \* 8/2009 Peng ..... D26/118  
D657,090 S \* 4/2012 Kaule ..... D26/138

(Continued)

**OTHER PUBLICATIONS**

“Vacuum socket tube” found by RMS on Nov. 21, 2020 at <https://www.stlfinder.com/model/parametric-vacuum-tube-socket-lhWN95ro/500125/>.\*

(Continued)

*Primary Examiner* — Rhea Shields

(74) *Attorney, Agent, or Firm* — Birch, Stewart, Kolasch & Birch, LLP

(57) **CLAIM**

The ornamental design for a socket for vacuum tube, as shown and described.

**DESCRIPTION**

1. Socket for vacuum tube

1.1 : Perspective

1.2 : Front

1.3 : Back

1.4 : Left

1.5 : Right

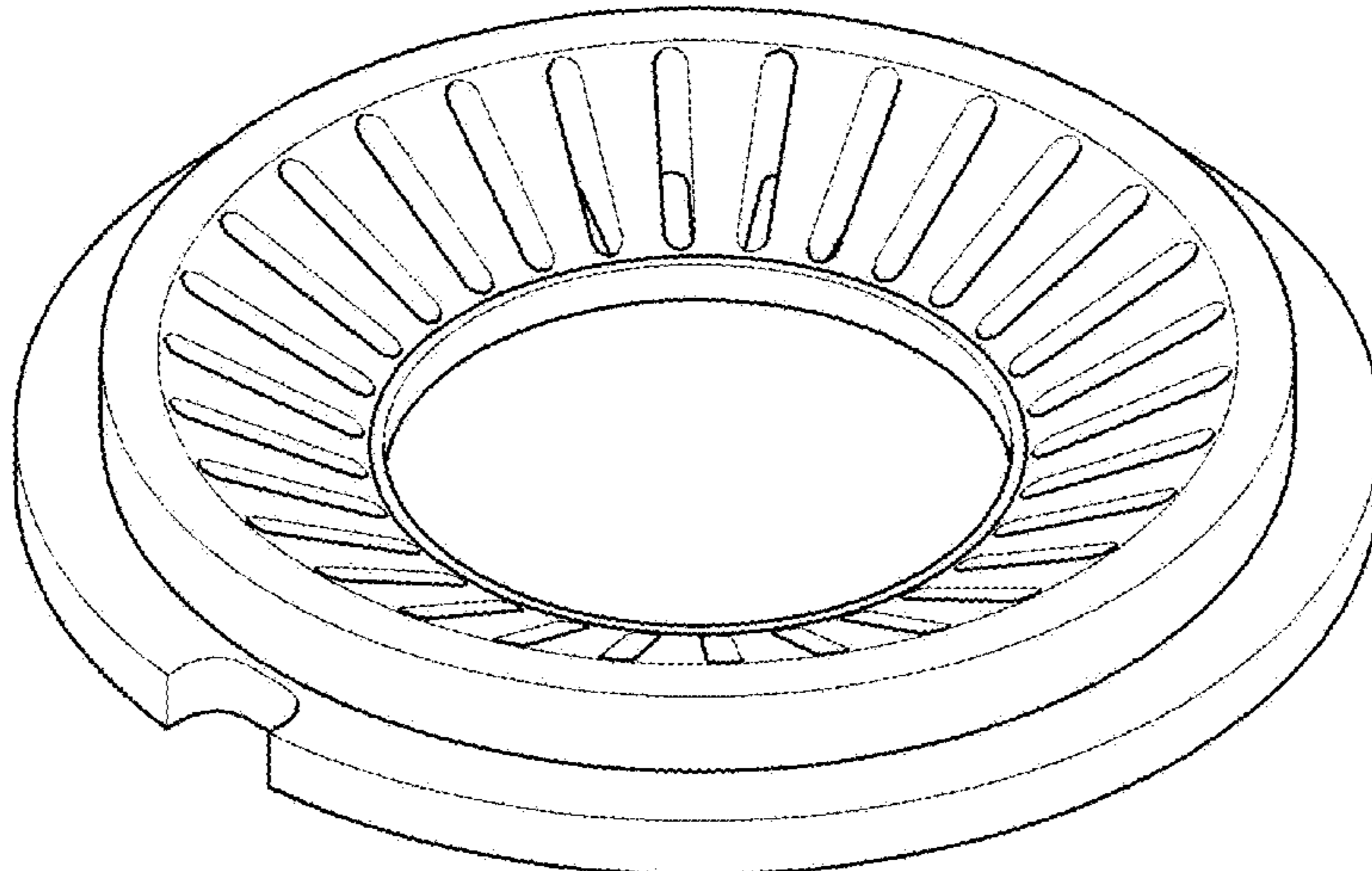
1.6 : Top

1.7 : Bottom

1.8 is a perspective view of the socket for vacuum tube shown in an environment.

In Reproduction 1.8 the broken lines are for the purpose of illustrating environment only and form no part of the claimed design.

**1 Claim, 8 Drawing Sheets**



(56)

**References Cited**

U.S. PATENT DOCUMENTS

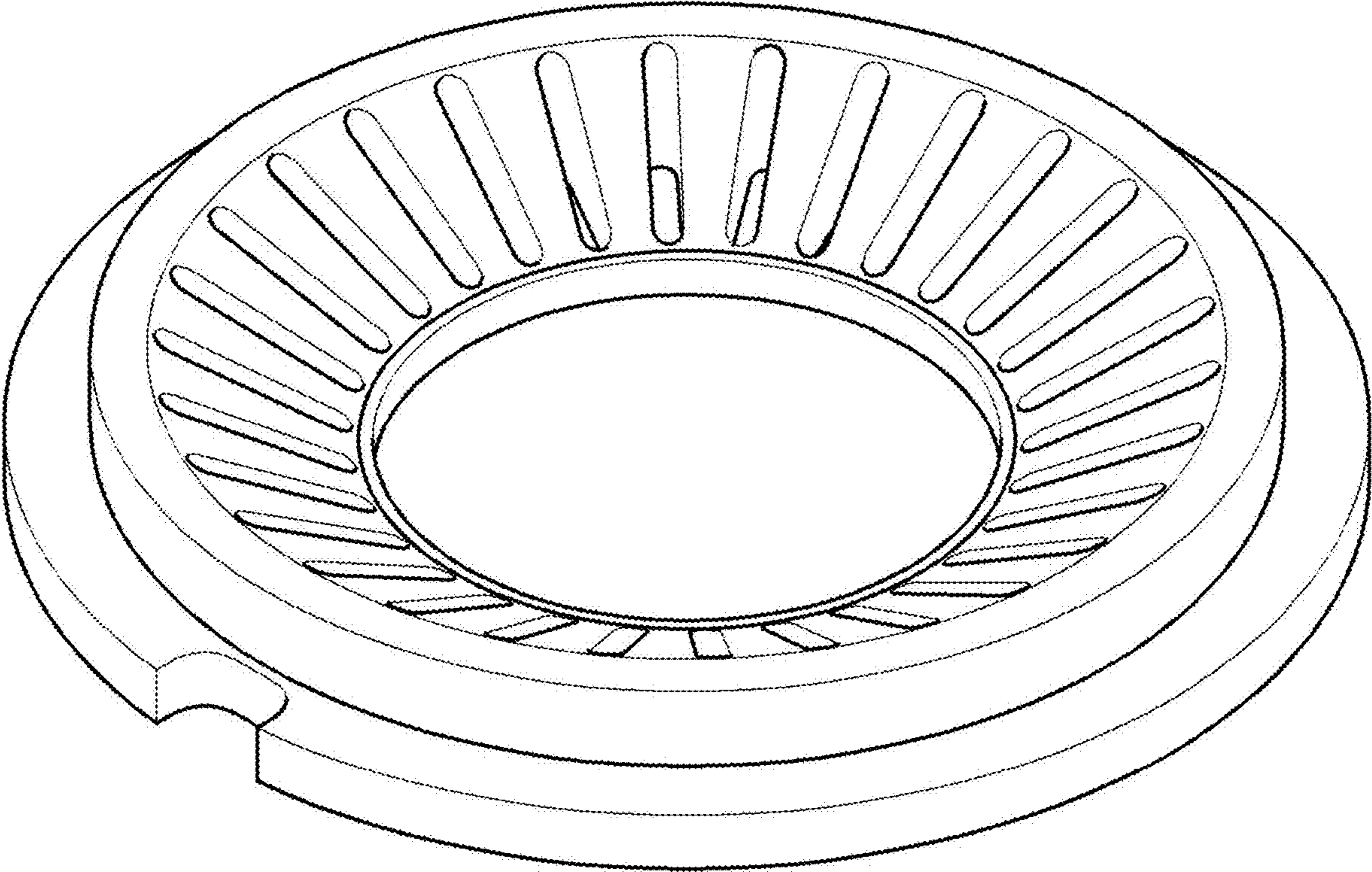
D672,494 S \* 12/2012 Kong ..... D26/113  
D871,194 S \* 12/2019 Watanabe ..... D8/356  
D871,348 S \* 12/2019 Kufner ..... D13/154  
D877,736 S \* 3/2020 Ouyang ..... D14/358  
D884,653 S \* 5/2020 Kufner ..... D13/154  
D889,934 S \* 7/2020 Hines, III ..... D8/349  
D891,964 S \* 8/2020 Goodwin ..... D10/114.1  
D901,744 S \* 11/2020 Xu ..... D26/72

OTHER PUBLICATIONS

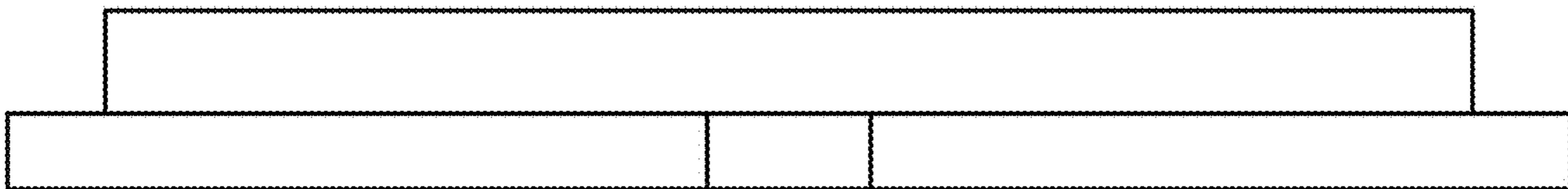
“Ceramic Vacuum Tube” found by RMS on Nov. 21, 2020 at  
[https://www.dhgate.com/product/pcb-ceramic-vacuum-tube-socket-gold/553180706.html#redirect\\_detail=WAP2PC](https://www.dhgate.com/product/pcb-ceramic-vacuum-tube-socket-gold/553180706.html#redirect_detail=WAP2PC).\*

\* cited by examiner

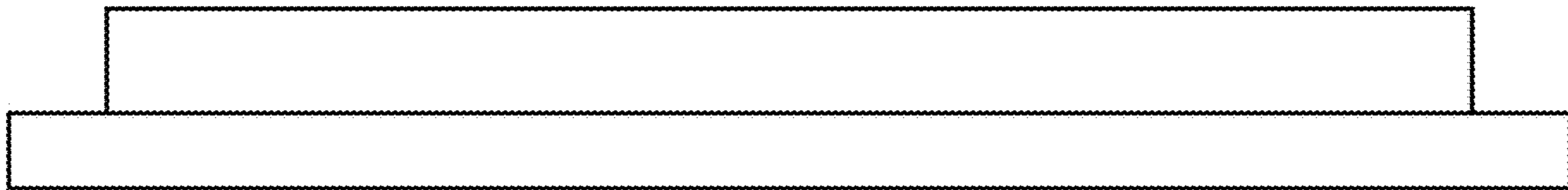
1.1



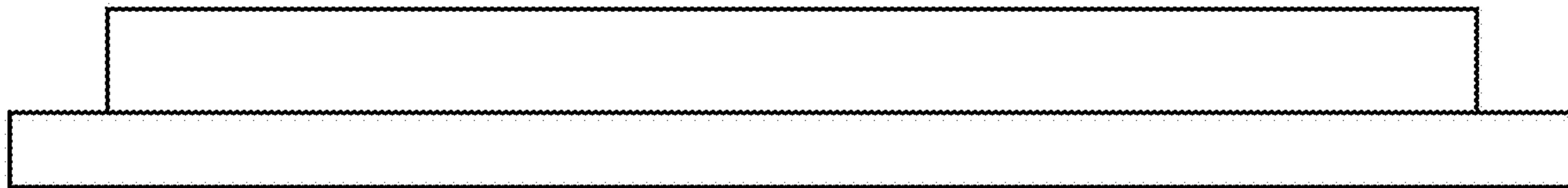
1.2



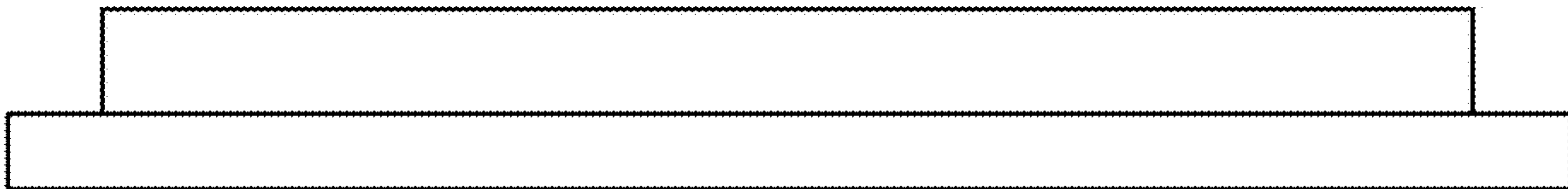
1.3



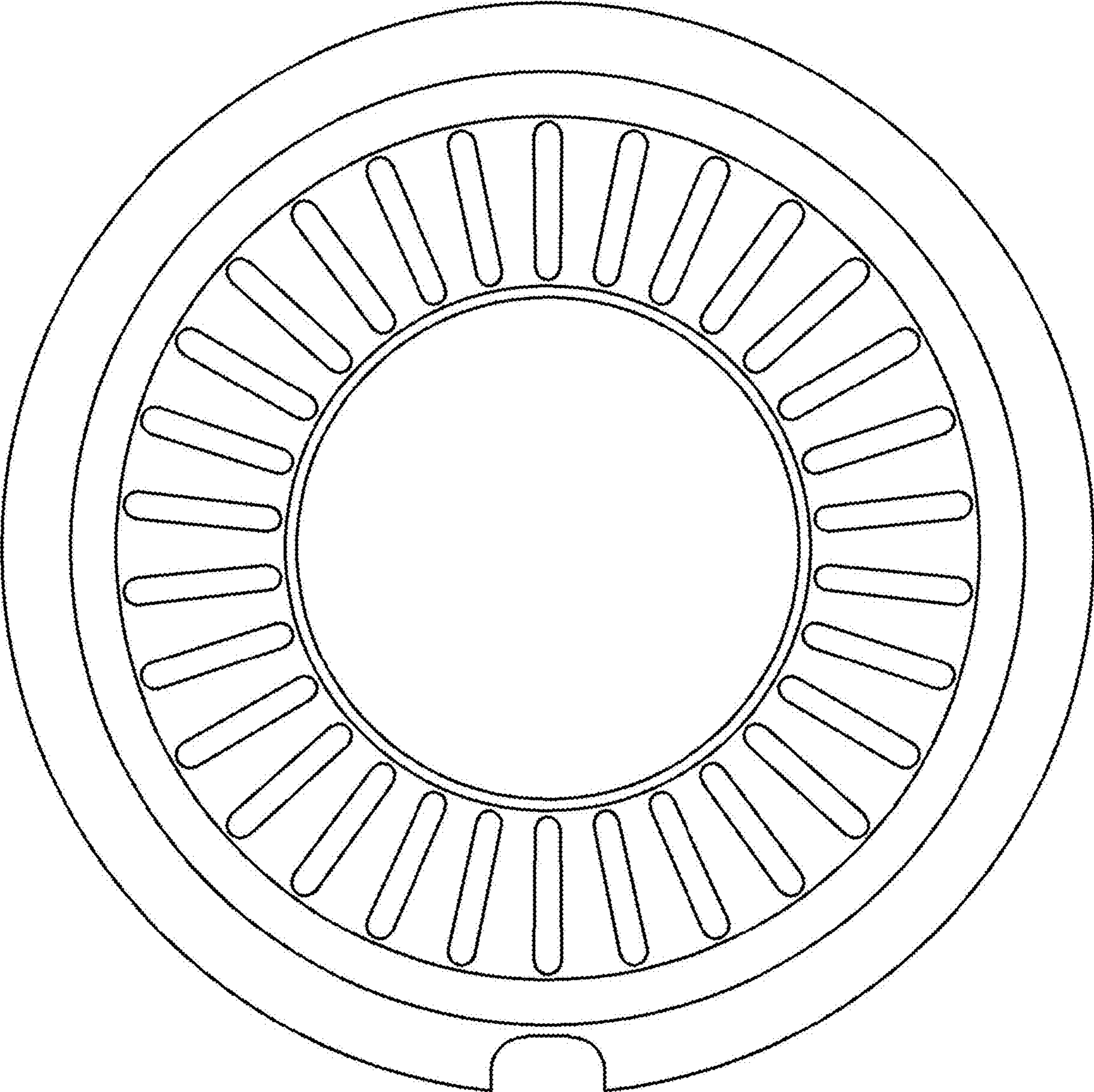
1.4



1.5

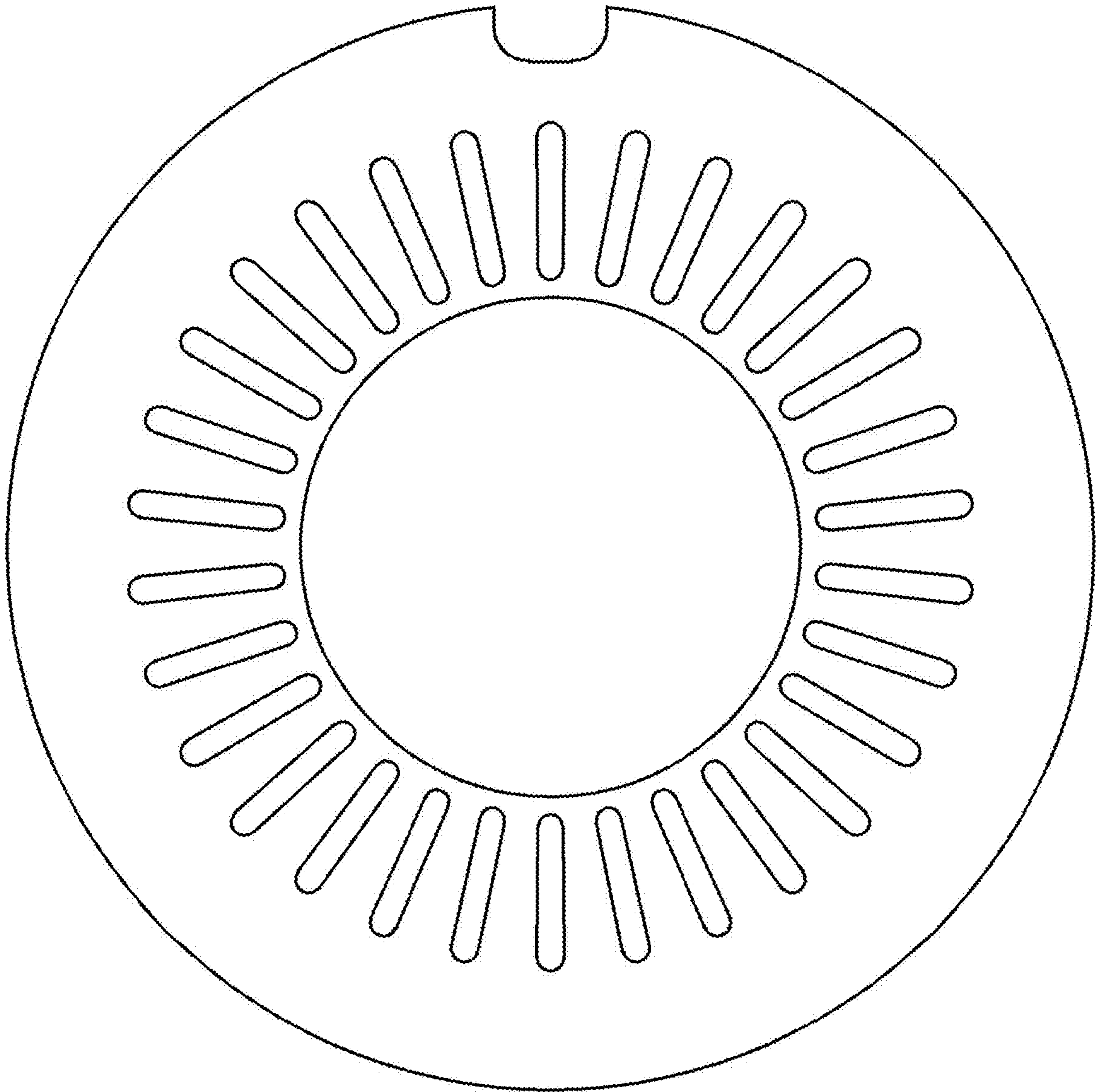


1.6





1.7



1.8

