



US00D913254S

(12) **United States Design Patent** (10) **Patent No.:** **US D913,254 S**  
**Altonen et al.** (45) **Date of Patent:** **\*\* \*Mar. 16, 2021**

(54) **REMOTE CONTROL**

(71) Applicant: **Lutron Technology Company LLC**,  
Coopersburg, PA (US)

(72) Inventors: **Gregory Altonen**, Easton, PA (US);  
**Chris Dimberg**, Easton, PA (US);  
**Jason C. Killo**, Emmaus, PA (US);  
**Matthew Philip McDonald**,  
Phoenixville, PA (US); **Daniel L.**  
**Twaddell**, Allentown, PA (US)

(73) Assignee: **Lutron Technology Company LLC**,  
Coopersburg, PA (US)

(\*) Notice: This patent is subject to a terminal disclaimer.

(\*\*) Term: **15 Years**

(21) Appl. No.: **29/640,715**

(22) Filed: **Mar. 16, 2018**

(51) **LOC (13) Cl.** ..... **13-03**

(52) **U.S. Cl.**  
USPC ..... **D13/169**; D13/168

(58) **Field of Classification Search**

USPC ..... 13/162, 164, 169, 171, 174, 177  
CPC ..... H01H 9/02; H01H 9/0271; H01H 9/16;  
H01H 9/18; H01H 9/161; H01H 9/181;  
H01H 9/182; H01H 13/04; H01H 13/14;  
H01H 13/20; H01H 13/30; H01H 19/635;  
H01H 23/00; H01H 23/02; H01H 23/025;  
H01H 23/04; H01H 23/145; H01H  
23/148; H01H 23/205; H01H 23/30;  
H01H 51/088; H01H 83/02; H01H 83/04;  
H01H 83/144; H05B 33/0803; H05B  
33/0863; H05B

(Continued)

(56) **References Cited**

**U.S. PATENT DOCUMENTS**

5,696,350 A \* 12/1997 Anker ..... H02G 3/14  
174/66  
5,895,888 A \* 4/1999 Arenas ..... H02G 3/14  
174/66

(Continued)

**FOREIGN PATENT DOCUMENTS**

EM 002144899-0001 2/2013  
EM 002144899-0002 2/2013

(Continued)

**OTHER PUBLICATIONS**

iDevices LLC, The iDevices Advantage, specification sheet, available at least as early as 2017 (21 pages).  
U.S. Appl. No. 29/640,708, filed Mar. 16, 2018 (unpublished).

*Primary Examiner* — Selina Sikder

(74) *Attorney, Agent, or Firm* — Saidman DesignLaw Group, LLC

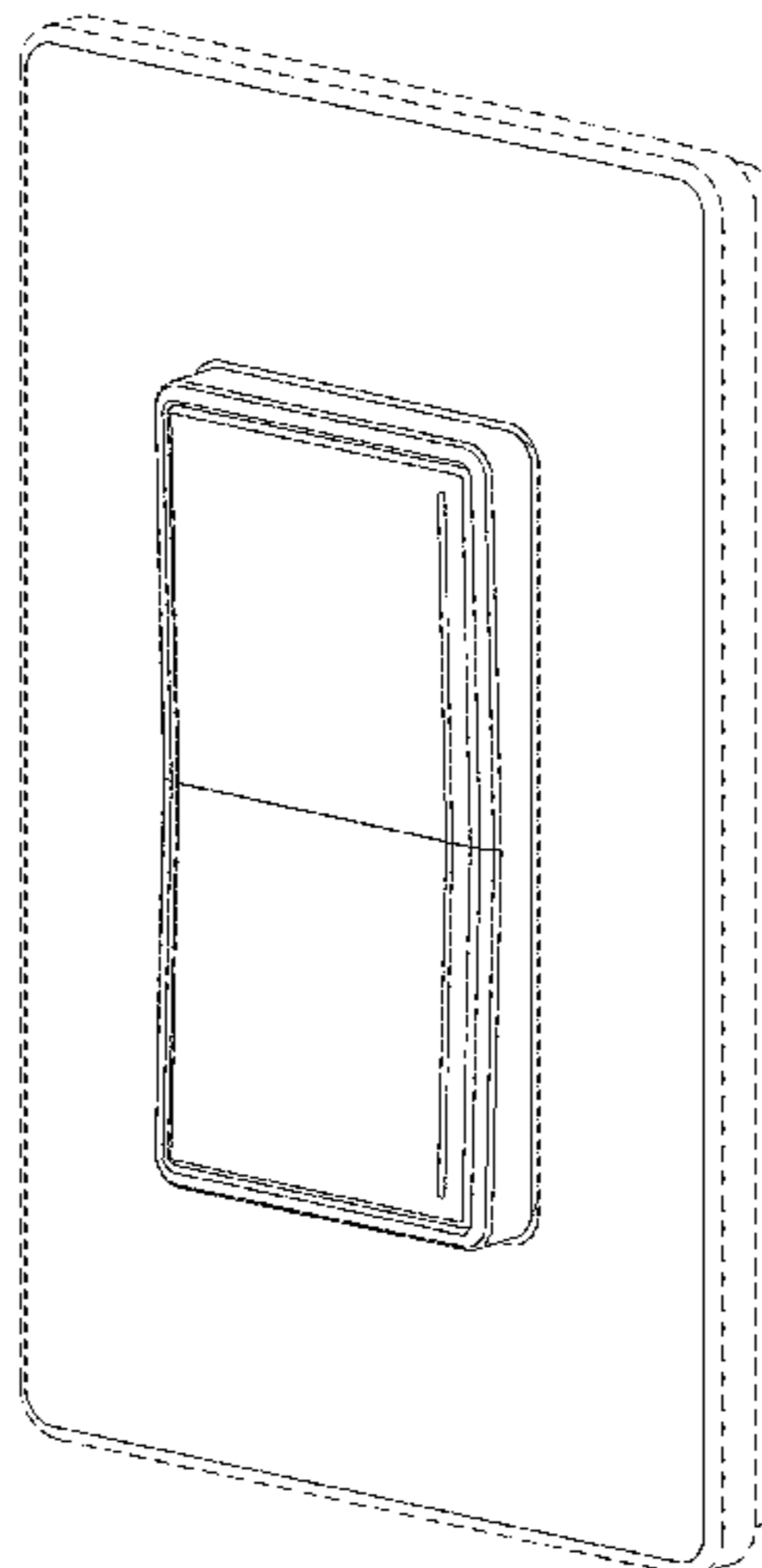
(57) **CLAIM**

The ornamental design for a remote control, as shown and described.

**DESCRIPTION**

FIG. 1 is a front perspective view of a remote control showing our new design;  
FIG. 2 is a front view thereof;  
FIG. 3 is a left side view thereof;  
FIG. 4 is a right side view thereof;  
FIG. 5 is a top view thereof;  
FIG. 6 is a bottom view thereof;  
FIG. 7 is a front perspective view of a second embodiment thereof;  
FIG. 8 is a front view thereof;  
FIG. 9 is a left side view thereof;  
FIG. 10 is a right side view thereof;  
FIG. 11 is a top view thereof; and,  
FIG. 12 is a bottom view thereof.  
The broken lines illustrate structure or features which form no part of the claimed design.

**1 Claim, 8 Drawing Sheets**



(58) **Field of Classification Search**

CPC ..... 37/02; H05B 37/0254; H05B 37/0272;  
 H05B 39/02; H05B 39/04; H05B 39/085;  
 H05B 39/086; H05B 39/088; H01R  
 13/713; H01R 13/7135

See application file for complete search history.

2017/0278383	A1	9/2017	Dimberg et al.
2017/0278647	A1	9/2017	Dimberg et al.
2017/0278652	A1	9/2017	Dimberg et al.
2017/0280533	A1	9/2017	Dimberg et al.
2017/0352506	A1	12/2017	Dimberg
2020/0020490	A1*	1/2020	Dimberg ..... H01H 3/02
2020/0037422	A1*	1/2020	Shivell ..... H01H 9/287

(56)

**References Cited**

**FOREIGN PATENT DOCUMENTS**

**U.S. PATENT DOCUMENTS**

6,005,308	A	12/1999	Bryde et al.
D572,202	S	7/2008	Jacoby et al.
7,667,155	B1*	2/2010	Ni ..... H01H 23/145 200/331
D692,398	S	10/2013	Felegy, Jr. et al.
D694,197	S	11/2013	Felegy, Jr. et al.
D694,716	S	12/2013	Felegy, Jr. et al.
D777,685	S	1/2017	Tannous et al.
9,838,008	B2	12/2017	Lark, Jr. et al.
D865,682	S*	11/2019	Dimberg ..... H05B 47/19 D13/168

EM	002144899-0003	2/2013
EM	002144899-0004	2/2013
EM	002144899-0005	2/2013
EM	002144899-0006	2/2013
EM	002144899-0007	2/2013
EM	002144899-0008	2/2013
EM	002144899-0009	2/2013
EM	002144899-0010	2/2013
EM	002144899-0011	2/2013
EM	002144899-0012	2/2013
EM	002144899-0013	2/2013
EM	002144899-0014	2/2013

\* cited by examiner

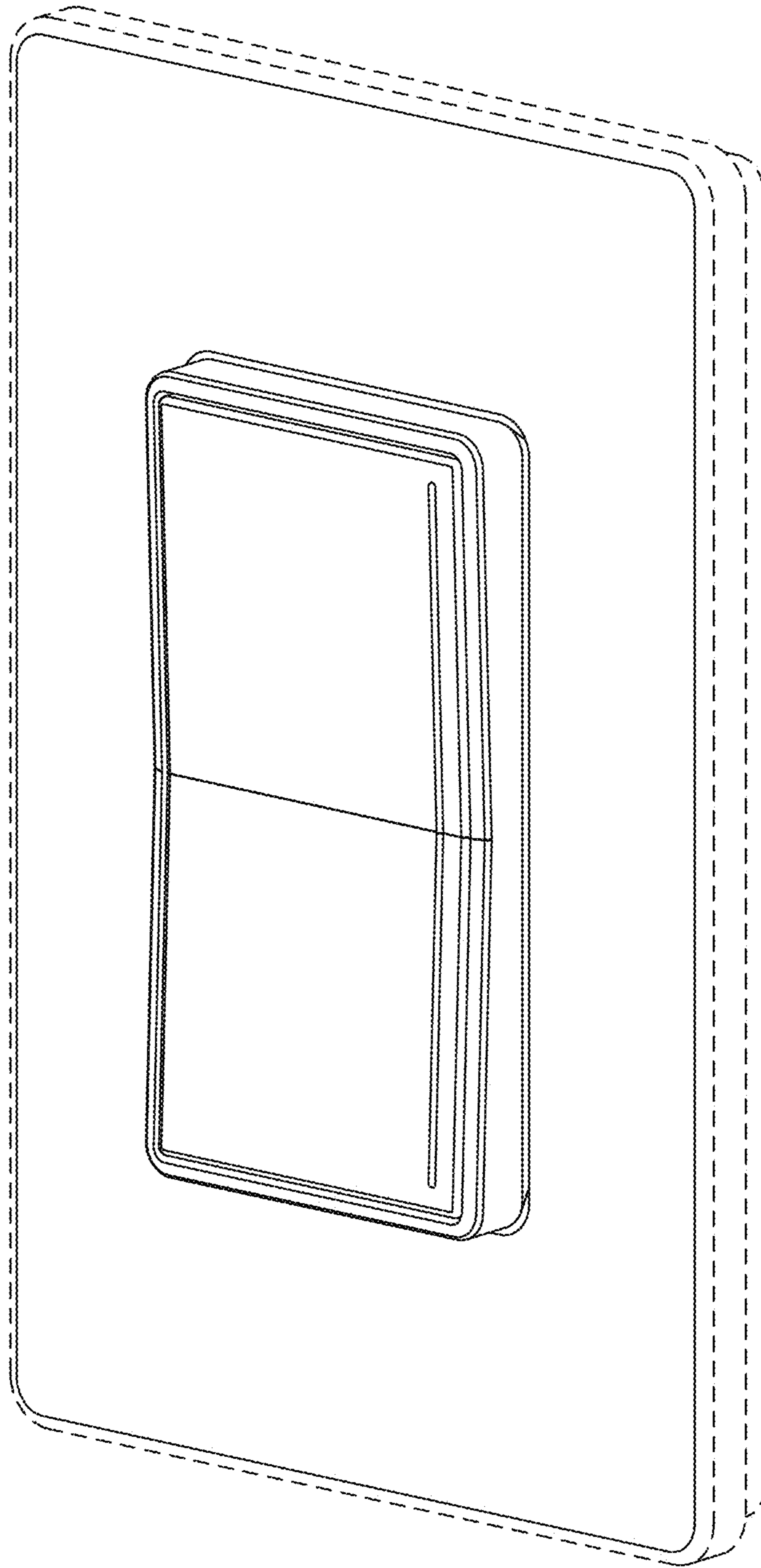


FIG. 1

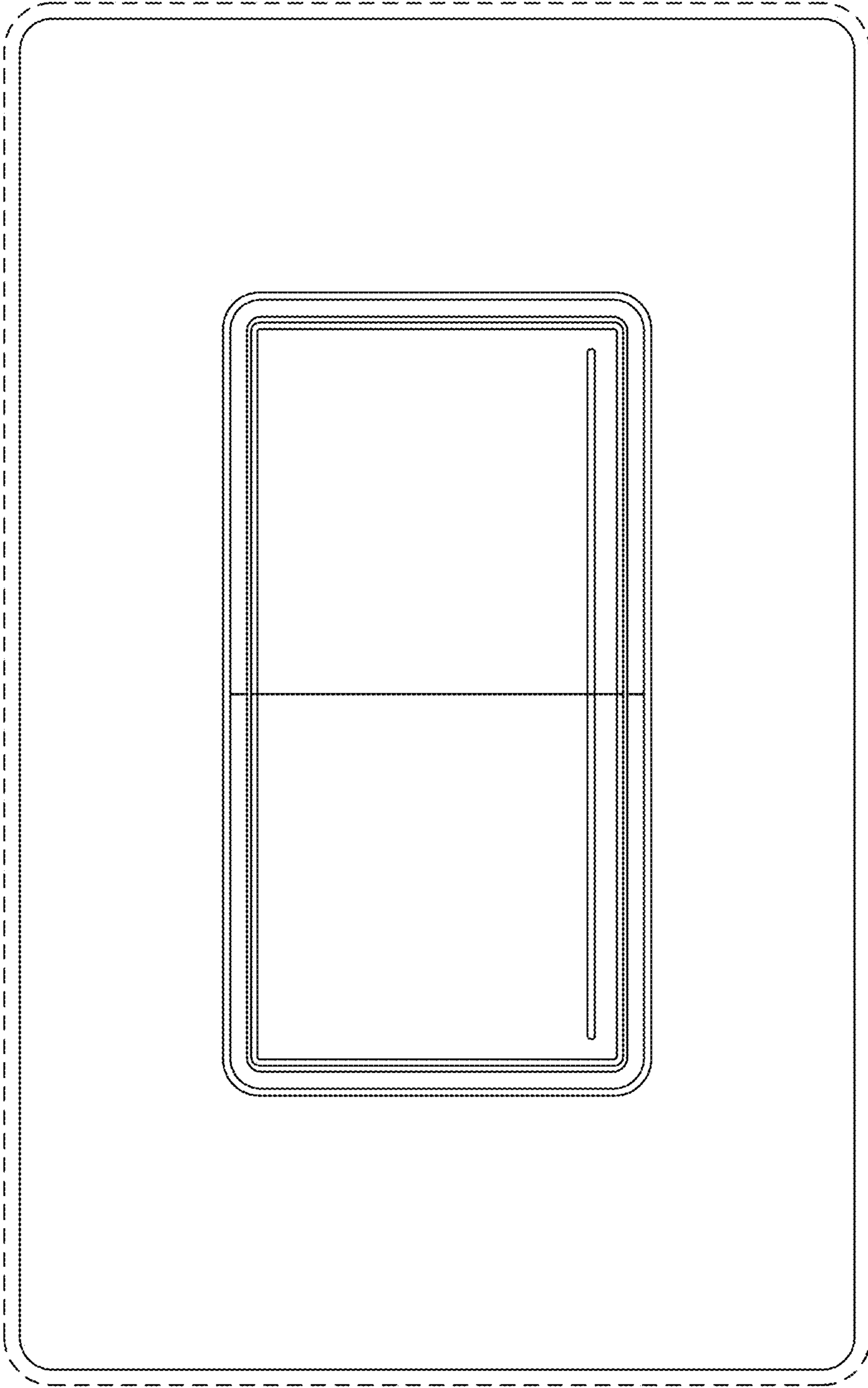


FIG. 2

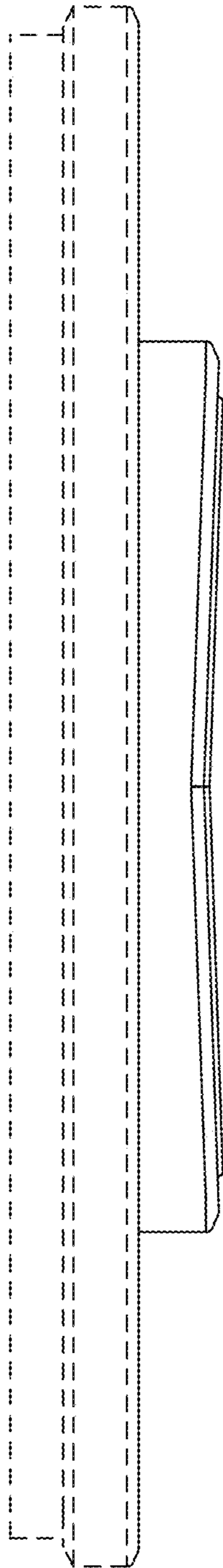


FIG. 3

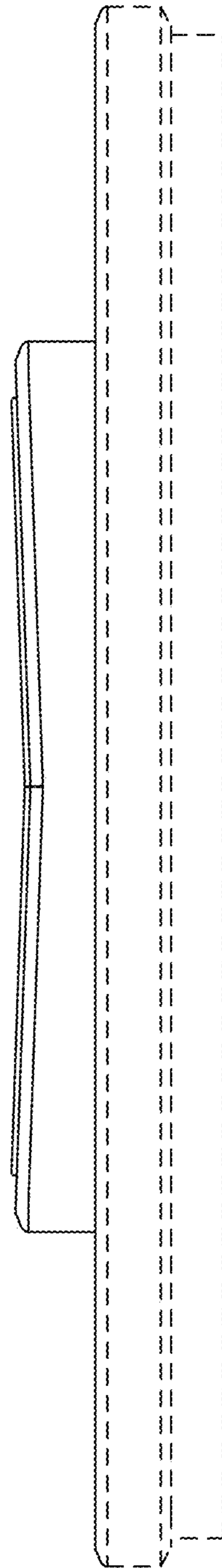


FIG. 4

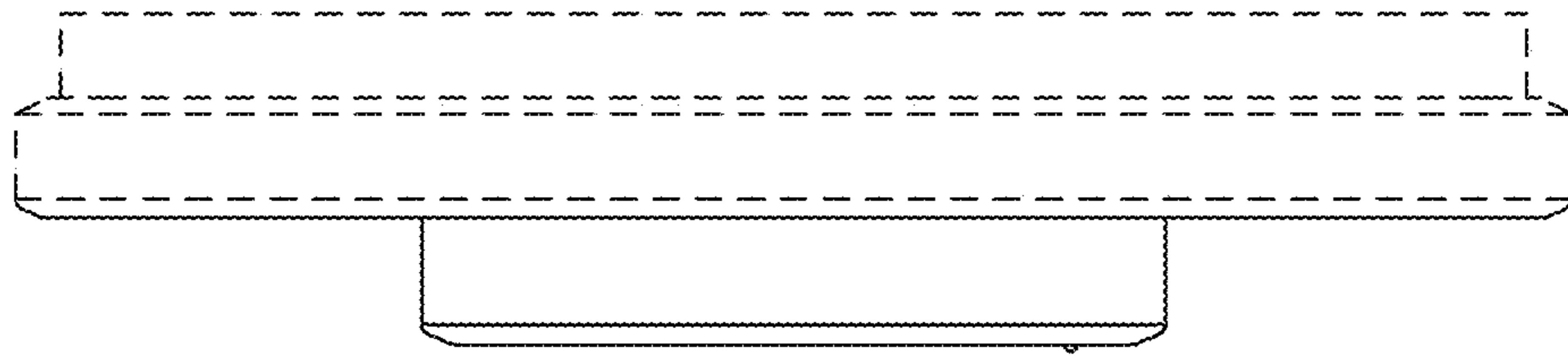


FIG. 5

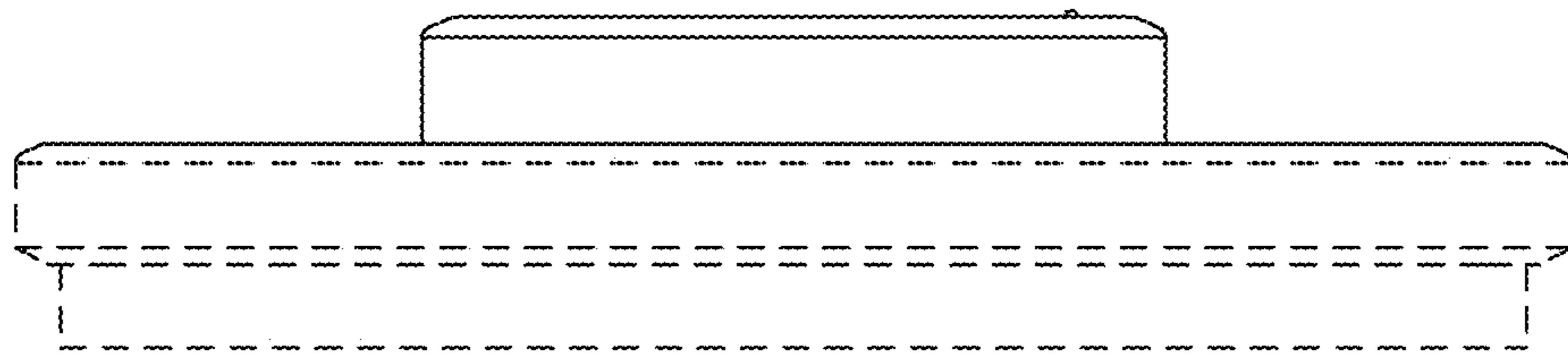


FIG. 6

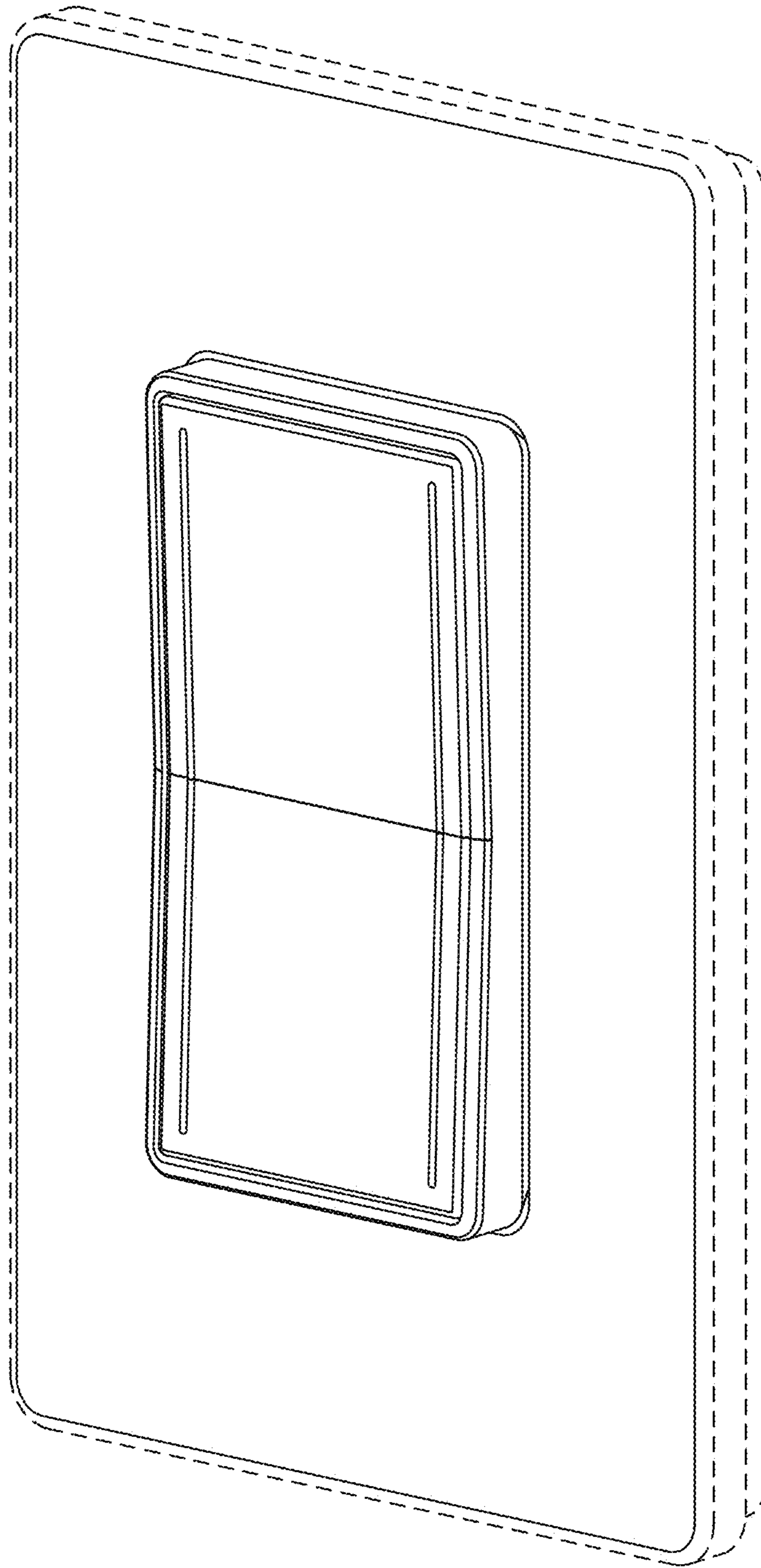


FIG. 7

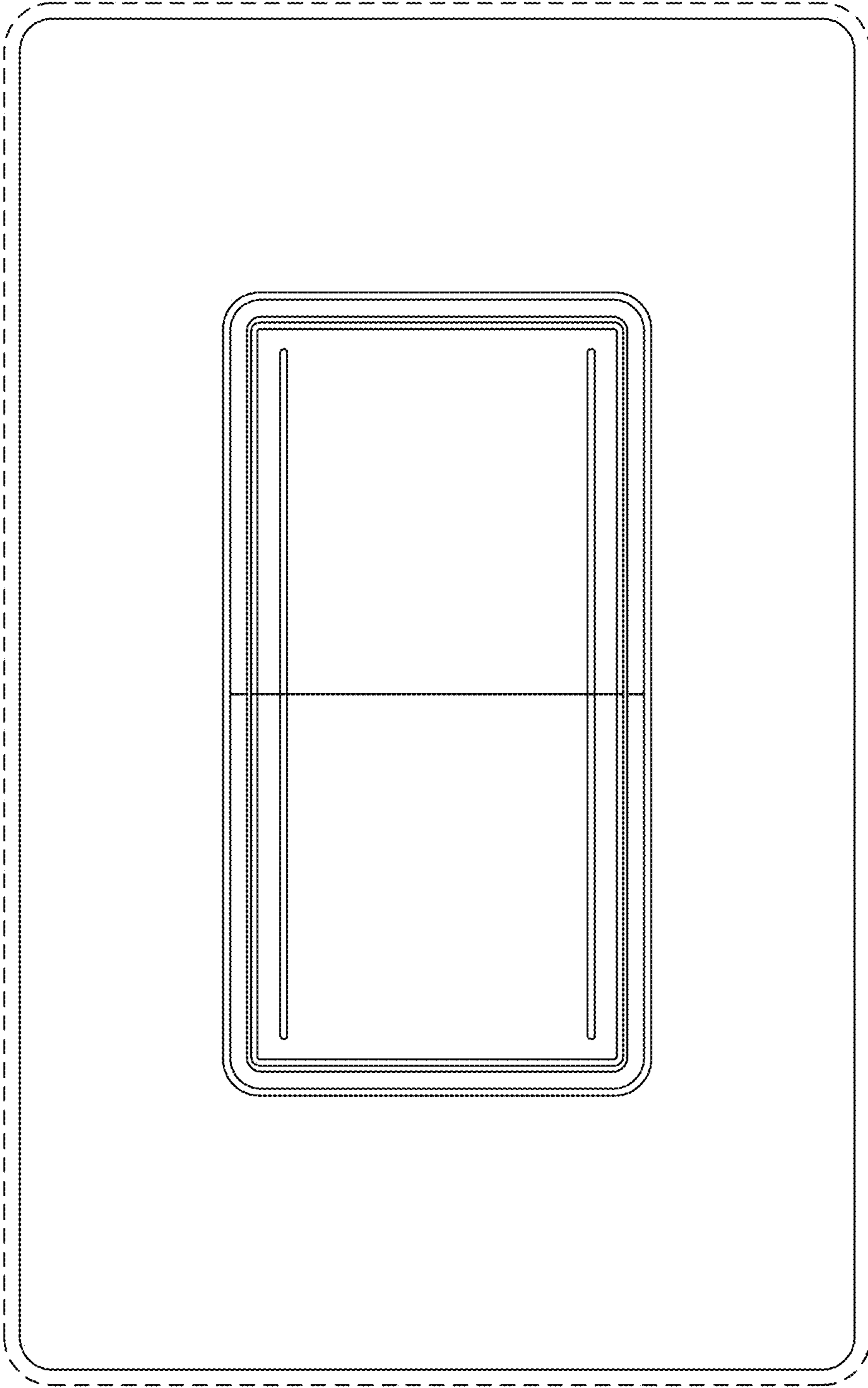


FIG. 8



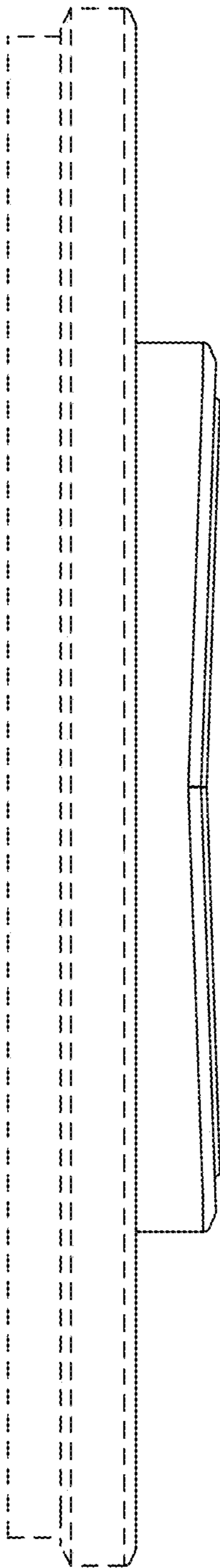


FIG. 9

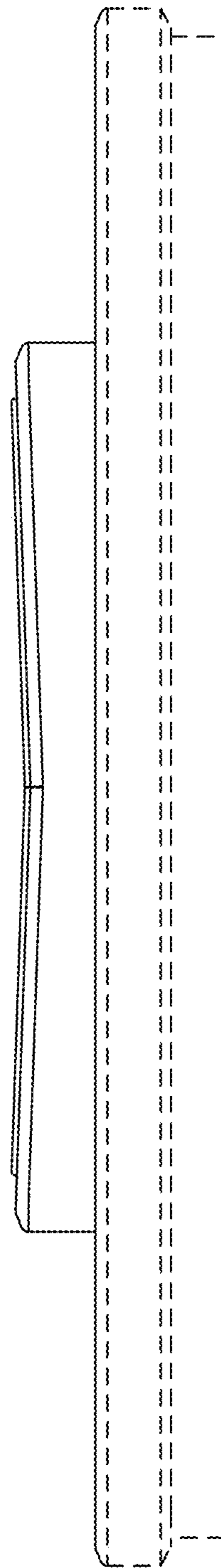


FIG. 10



FIG. 11

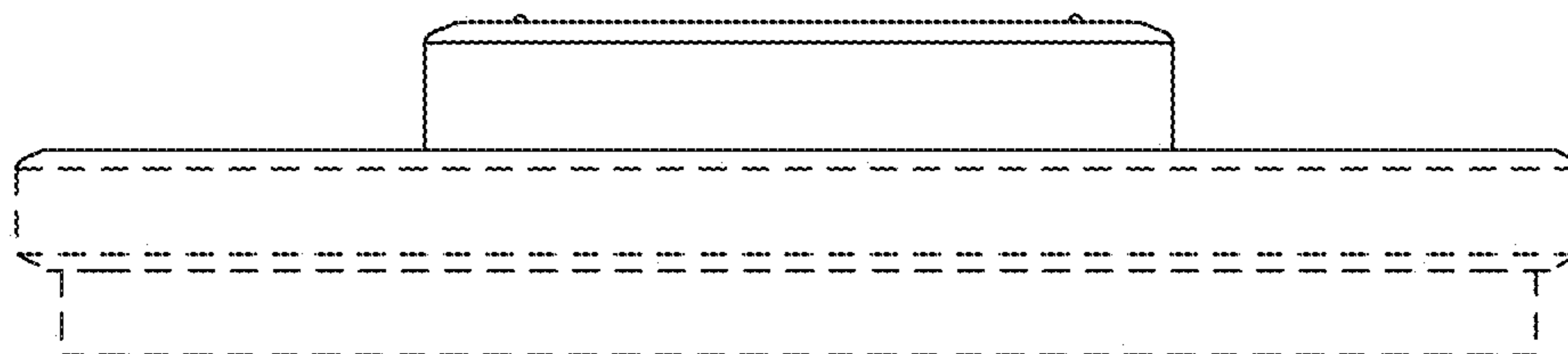


FIG. 12