



US00D913253S

(12) **United States Design Patent**
Paquette et al.

(10) **Patent No.:** **US D913,253 S**
(45) **Date of Patent:** **** Mar. 16, 2021**

(54) **SINGLE HAND CONTROLLER**

(71) Applicant: **Measurement Systems, Inc.**,
Wallingford, CT (US)
(72) Inventors: **Raymond J. Paquette**, Wallingford, CT
(US); **Robert A. Blain**, Wallingford, CT
(US); **Jeffrey D. Philips**, Wallingford,
CT (US); **Edward A. Schuler**,
Hamden, CT (US)
(73) Assignee: **MEASUREMENT SYSTEMS, INC.**,
Wallingford, CT (US)

(**) Term: **15 Years**

(21) Appl. No.: **29/707,790**

(22) Filed: **Oct. 1, 2019**

(51) **LOC (13) Cl.** **13-03**

(52) **U.S. Cl.**
USPC **D13/168**

(58) **Field of Classification Search**
USPC D13/158, 162, 168; D14/401, 412, 413,
D14/415, 416, 417; D21/333
CPC .. H01H 9/0214; H01H 9/0235; H01H 9/0242;
H01H 9/04; H01H 9/06; G08C 17/02;
G08C 19/00; G08C 19/12; G08C 19/28;
G08C 23/04; H04B 1/202; G06F 3/033
See application file for complete search history.

(56) **References Cited**

U.S. PATENT DOCUMENTS

D328,463	S	*	8/1992	King	D14/218
5,644,113	A		7/1997	Date et al.		
5,923,317	A		7/1999	Sayler et al.		
D431,604	S		10/2000	Chan		
6,459,058	B1		10/2002	Shinohe et al.		
D533,142	S		12/2006	Chen et al.		
D552,562	S	*	10/2007	Yamamoto	D13/168
D587,713	S	*	3/2009	Sutton	D14/412
D594,066	S	*	6/2009	Oikawa	D14/412

(Continued)

OTHER PUBLICATIONS

Paquette et al., unpublished Utility U.S. Appl. No. 16/589,327, filed Oct. 1, 2019.

Primary Examiner — Selina Sikder

(74) *Attorney, Agent, or Firm* — Wiggin and Dana LLP;
Gregory S. Rosenblatt; Jonathan D. Hall

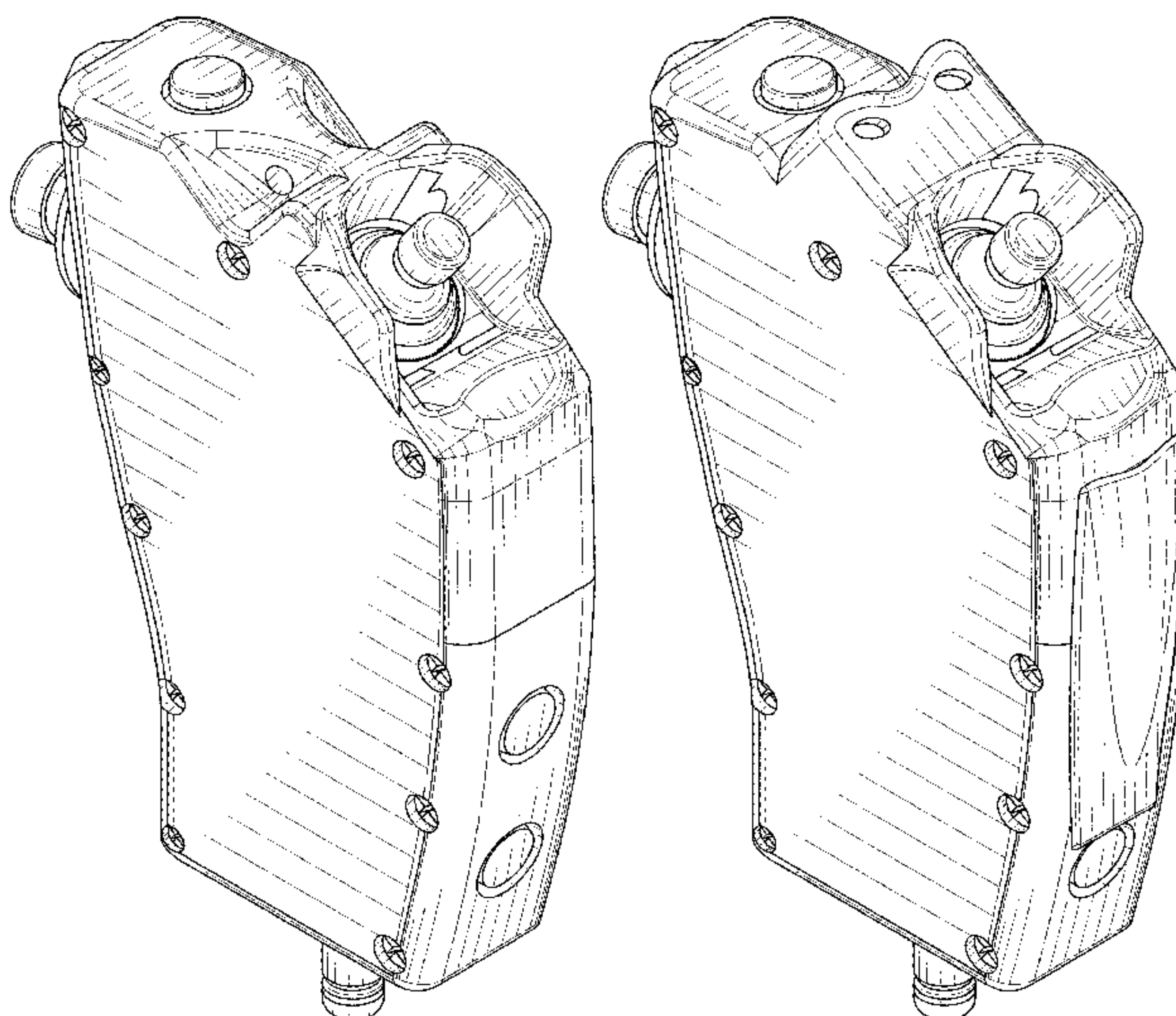
(57) **CLAIM**

The ornamental design for a single hand controller, as shown and described.

DESCRIPTION

FIG. 1 is a perspective view of a first embodiment of a new design for a single hand controller;
FIG. 2 is a top plan view thereof;
FIG. 3 is a front elevation view thereof;
FIG. 4 is a back elevation view thereof;
FIG. 5 is a first side elevation view thereof;
FIG. 6 is a bottom plan view thereof; and
FIG. 7 is a second side elevation view thereof;
FIG. 8 is a perspective view of a second embodiment of a new design for a single hand controller;
FIG. 9 is a top plan view thereof;
FIG. 10 is a front elevation view thereof;
FIG. 11 is a back elevation view thereof;
FIG. 12 is a first side elevation view thereof;
FIG. 13 is a bottom plan view thereof; and
FIG. 14 is a second side elevation view thereof;
FIG. 15 is a perspective view of a third embodiment of a new design for a single hand controller;
FIG. 16 is a top plan view thereof;
FIG. 17 is a front elevation view thereof;
FIG. 18 is a back elevation view thereof;
FIG. 19 is a first side elevation view thereof;
FIG. 20 is a bottom plan view thereof; and,
FIG. 21 is a second side elevation view thereof.

1 Claim, 18 Drawing Sheets



(56)

References Cited

U.S. PATENT DOCUMENTS

D594,067	S *	6/2009	Oikawa	D14/412
D611,477	S *	3/2010	Brunner	D14/412
D646,727	S *	10/2011	Daniel	D21/333
D662,478	S *	6/2012	Rantala	D13/168
D667,380	S *	9/2012	Ishikawa	D13/168
D698,358	S *	1/2014	Beams	D14/412
D790,483	S *	6/2017	Yoon	D13/168
10,043,616	B2 *	8/2018	Asento	H01H 13/64
D867,309	S *	11/2019	Detering	D13/168
2001/0020934	A1	9/2001	Fukuda		
2005/0150750	A1	7/2005	Huang		
2012/0041595	A1 *	2/2012	Greeley	B25J 13/02
					700/264
2020/0111635	A1 *	4/2020	Paquette	G06F 3/033

* cited by examiner

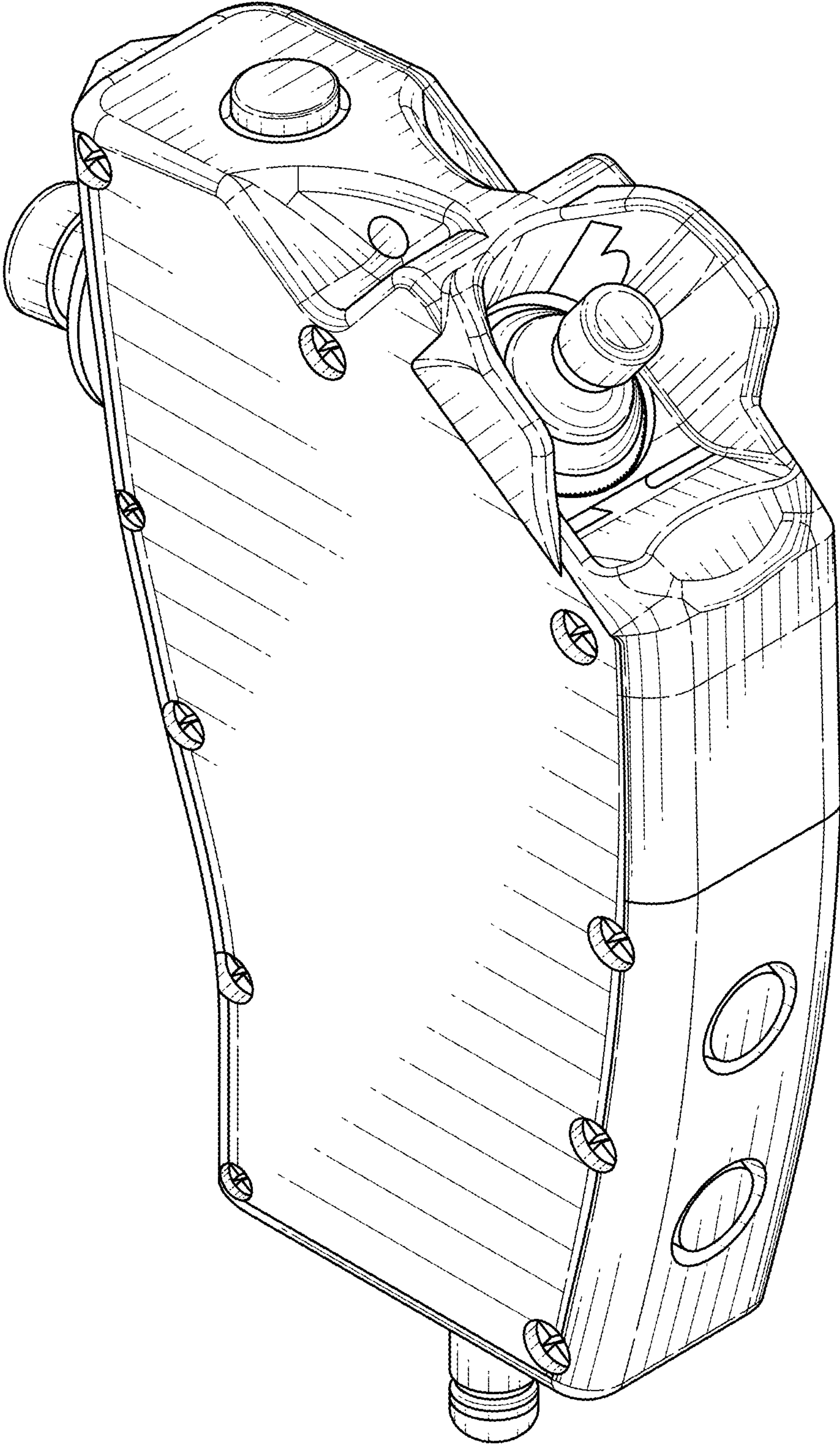


FIG. 1

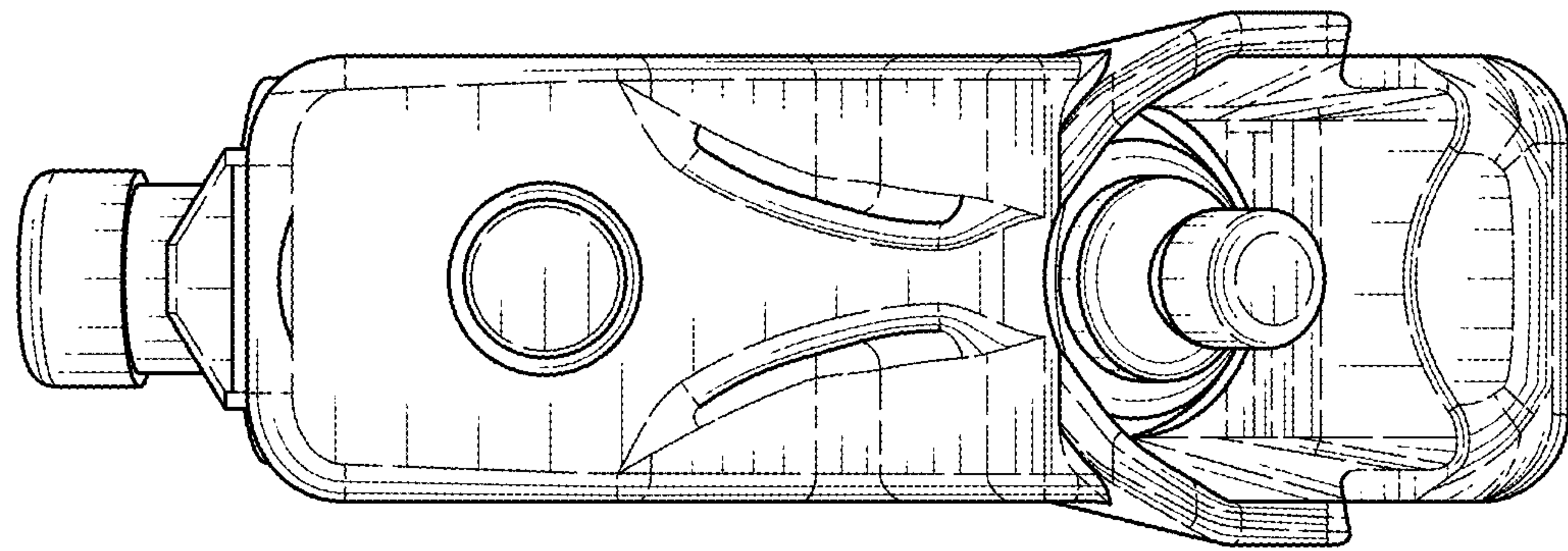


FIG. 2

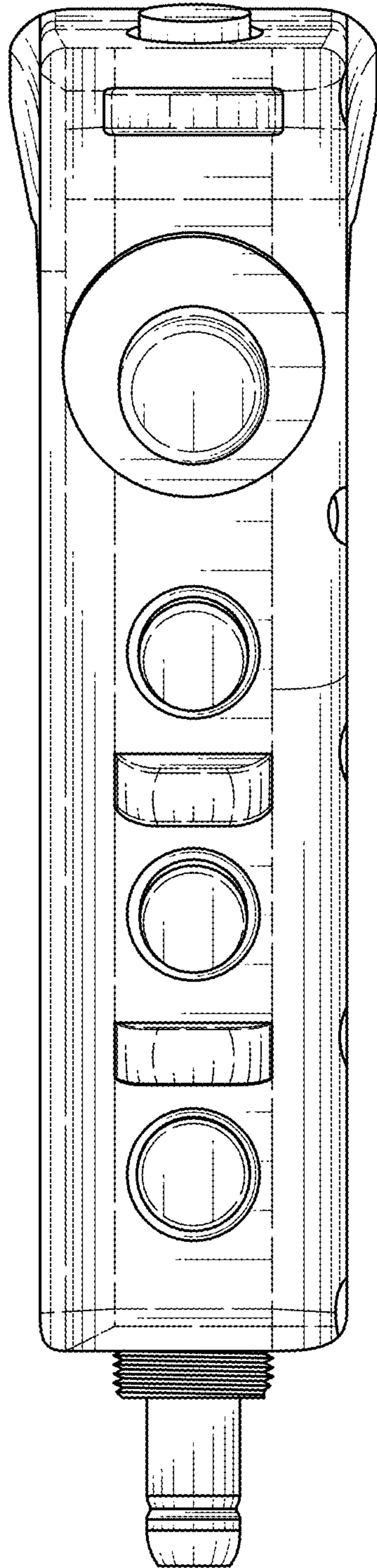


FIG. 3

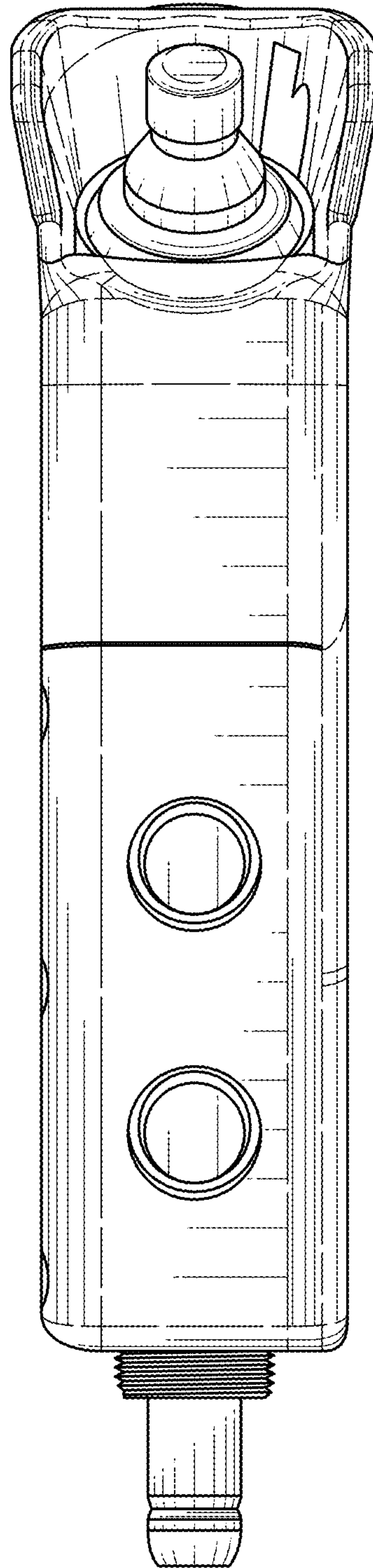


FIG. 4

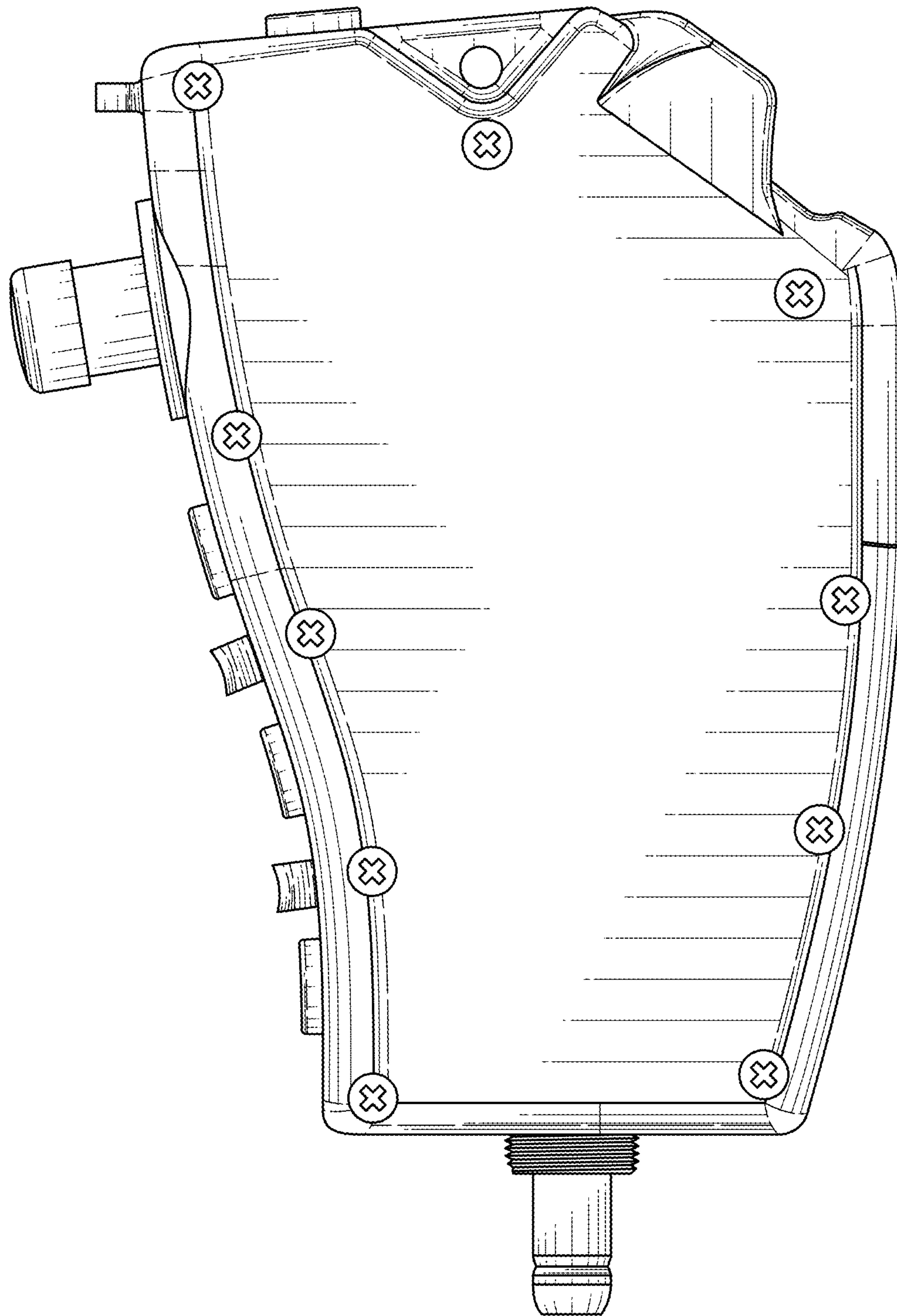


FIG. 5

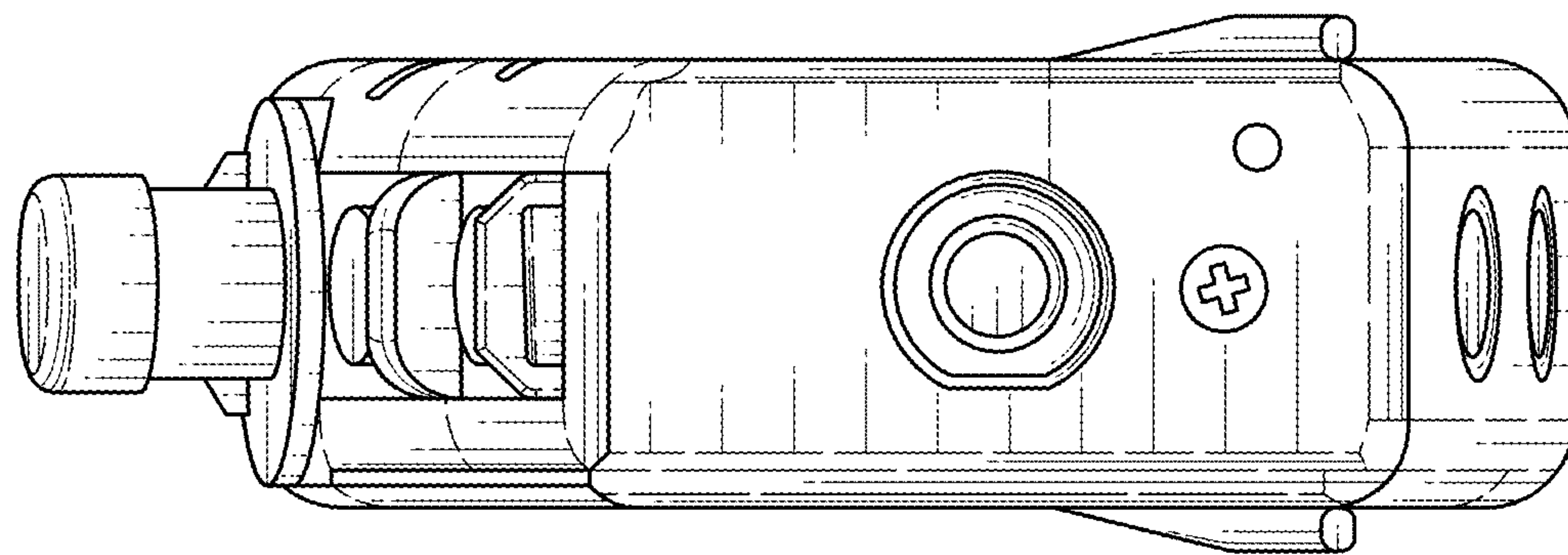


FIG. 6

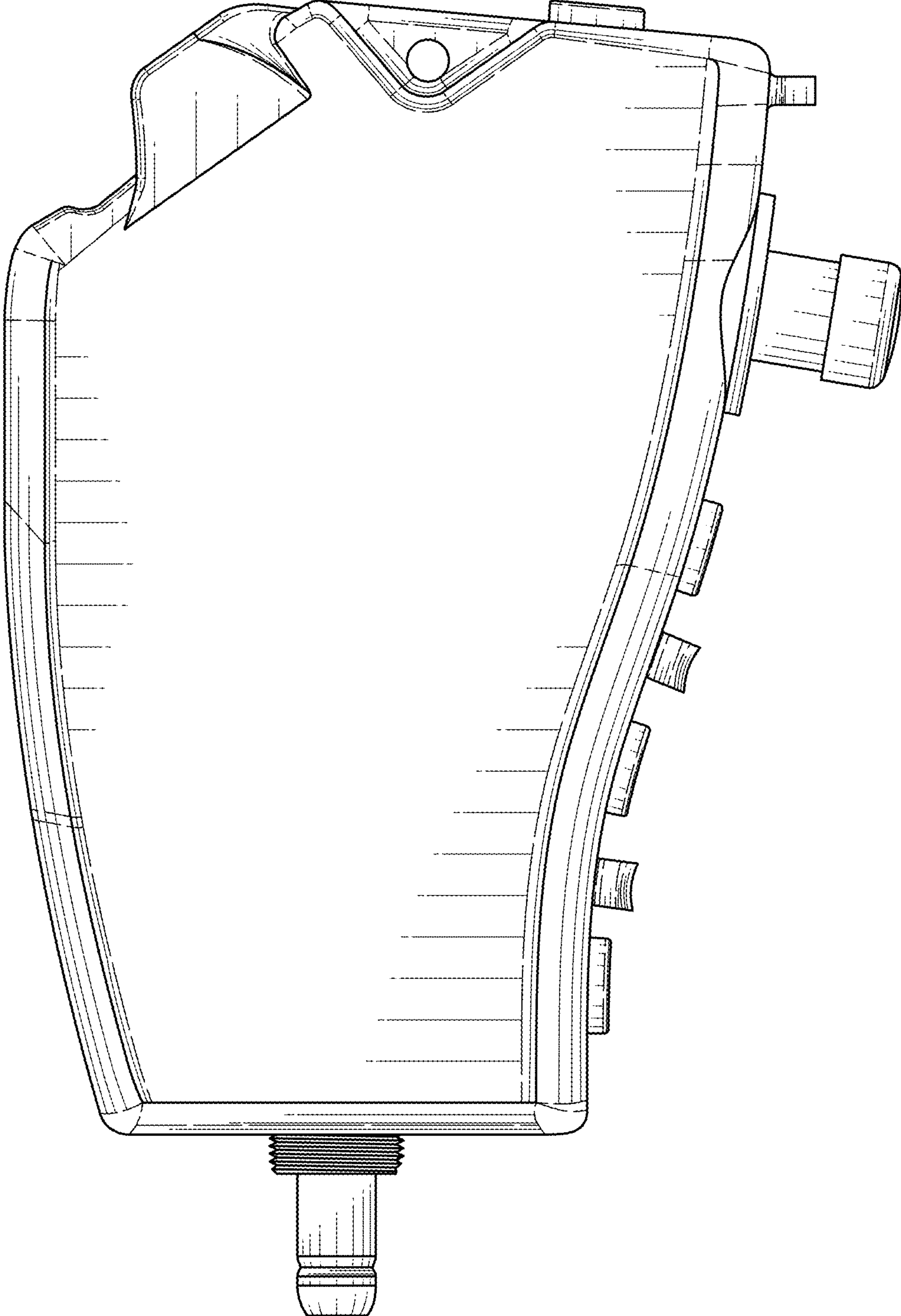


FIG. 7

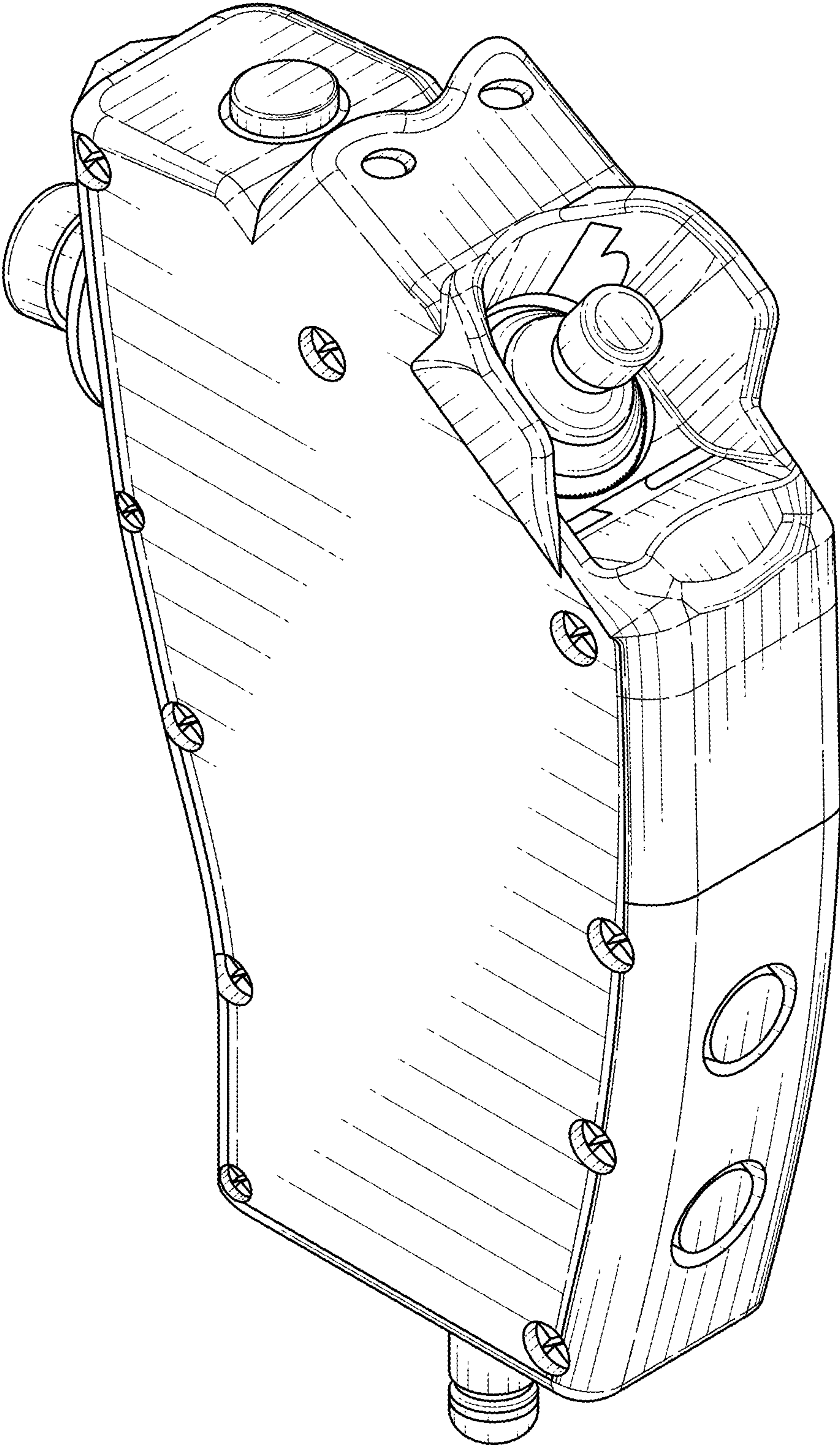


FIG. 8

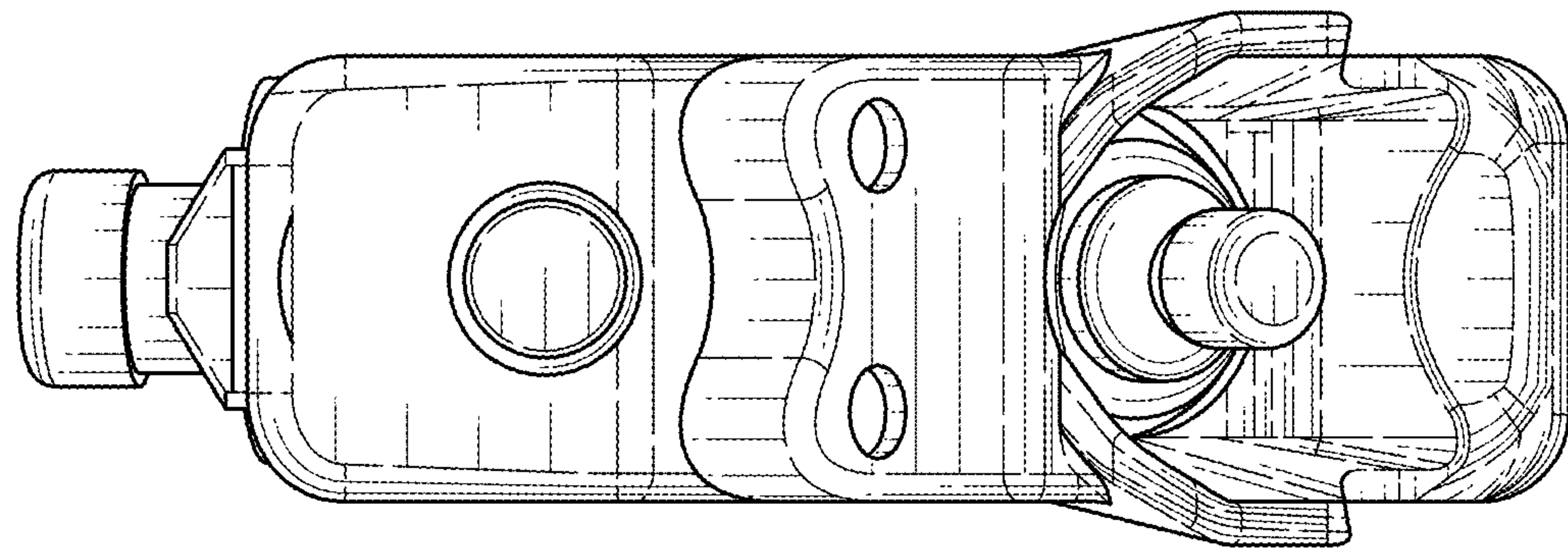


FIG. 9

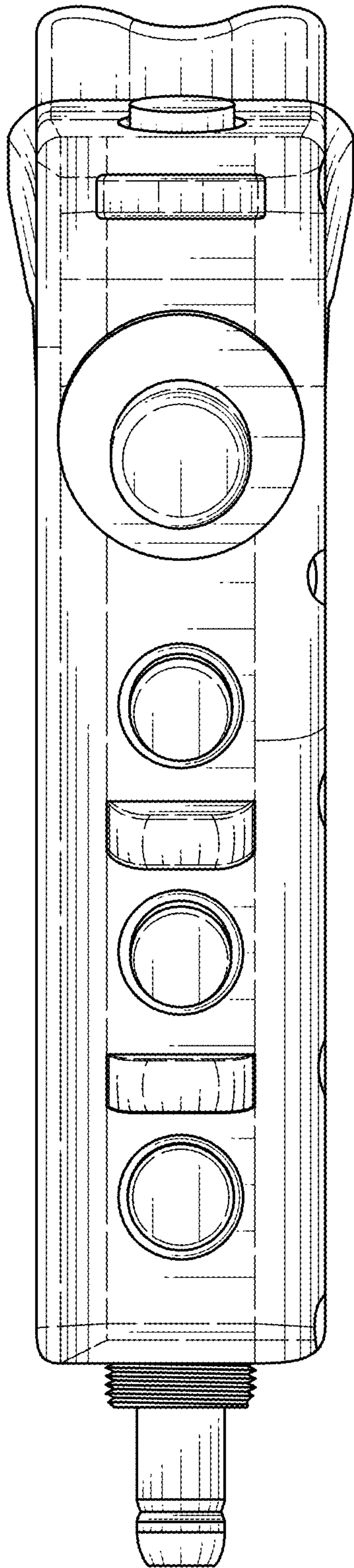


FIG. 10

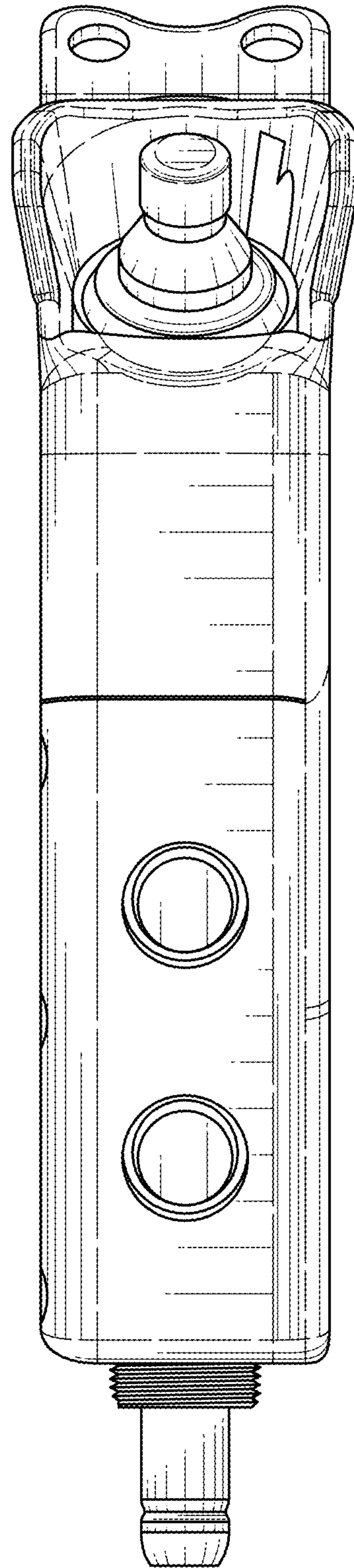


FIG. 11

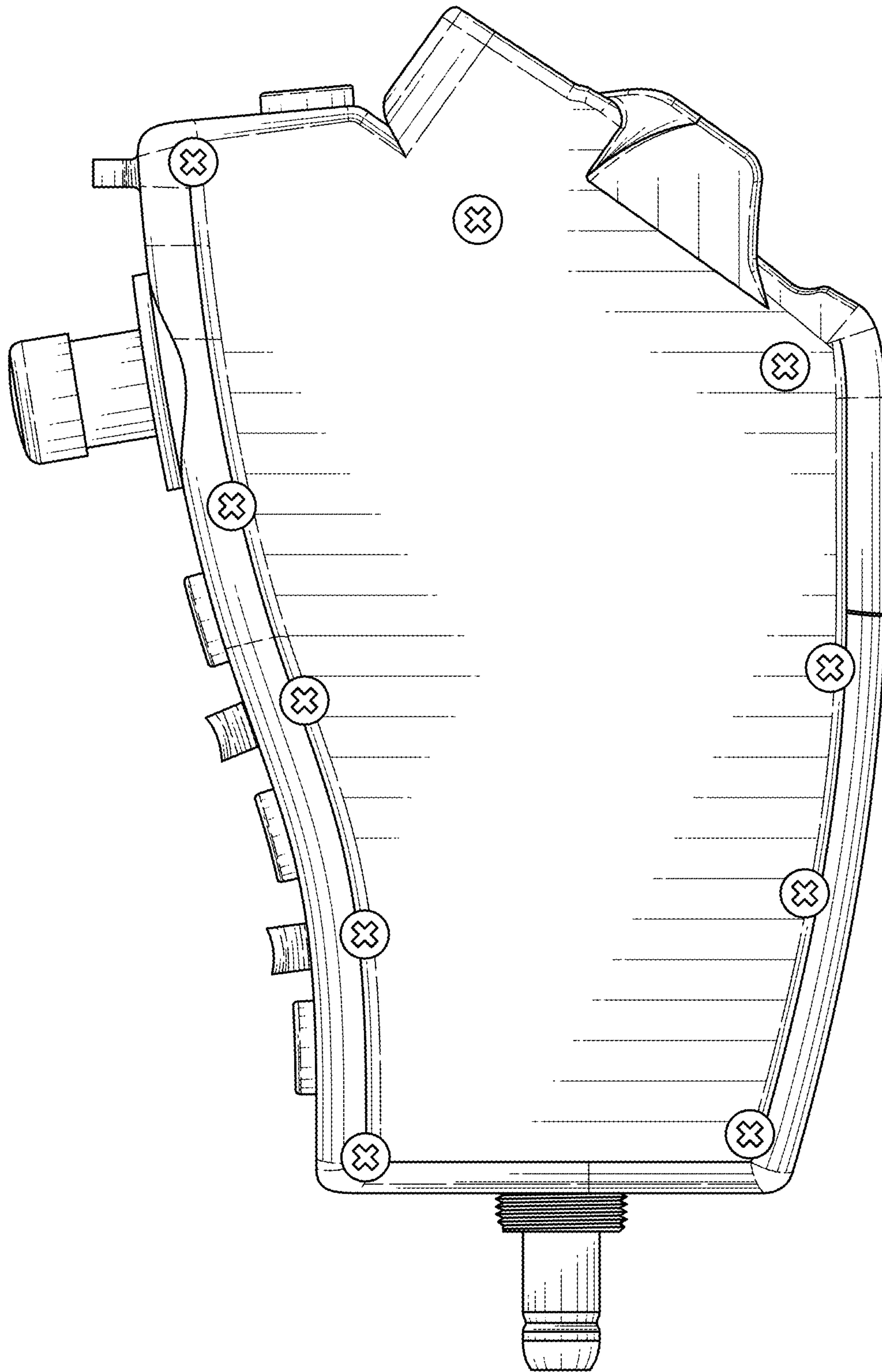


FIG. 12

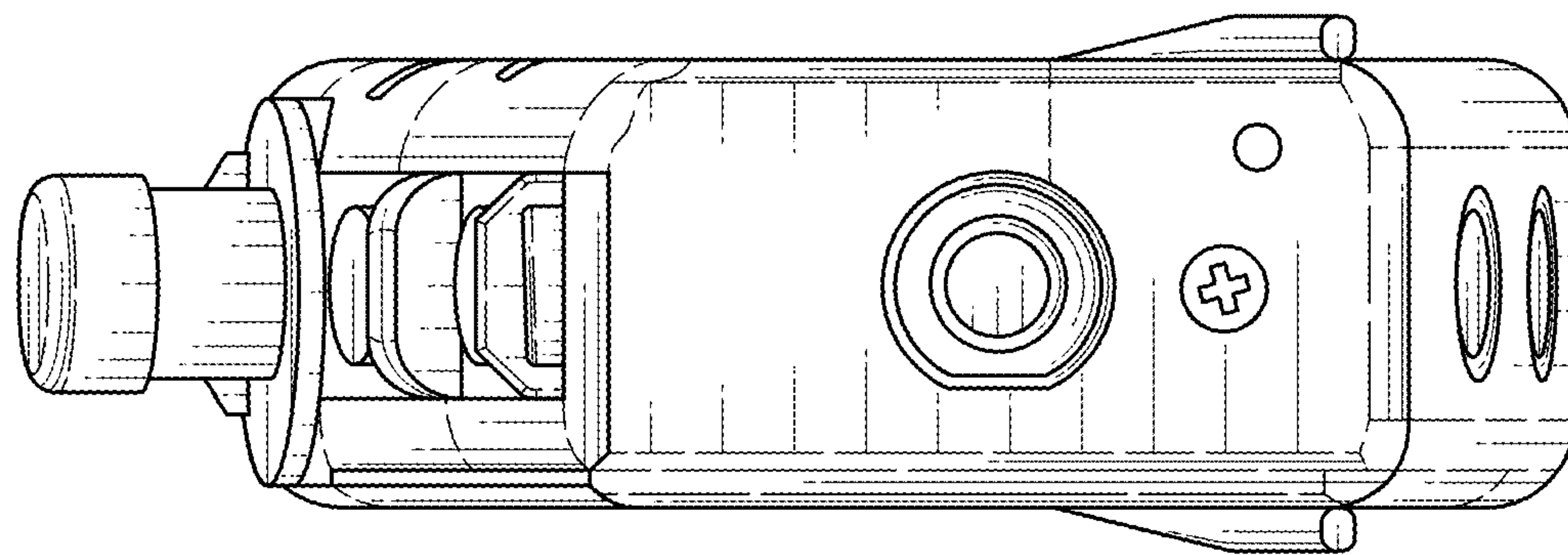


FIG. 13

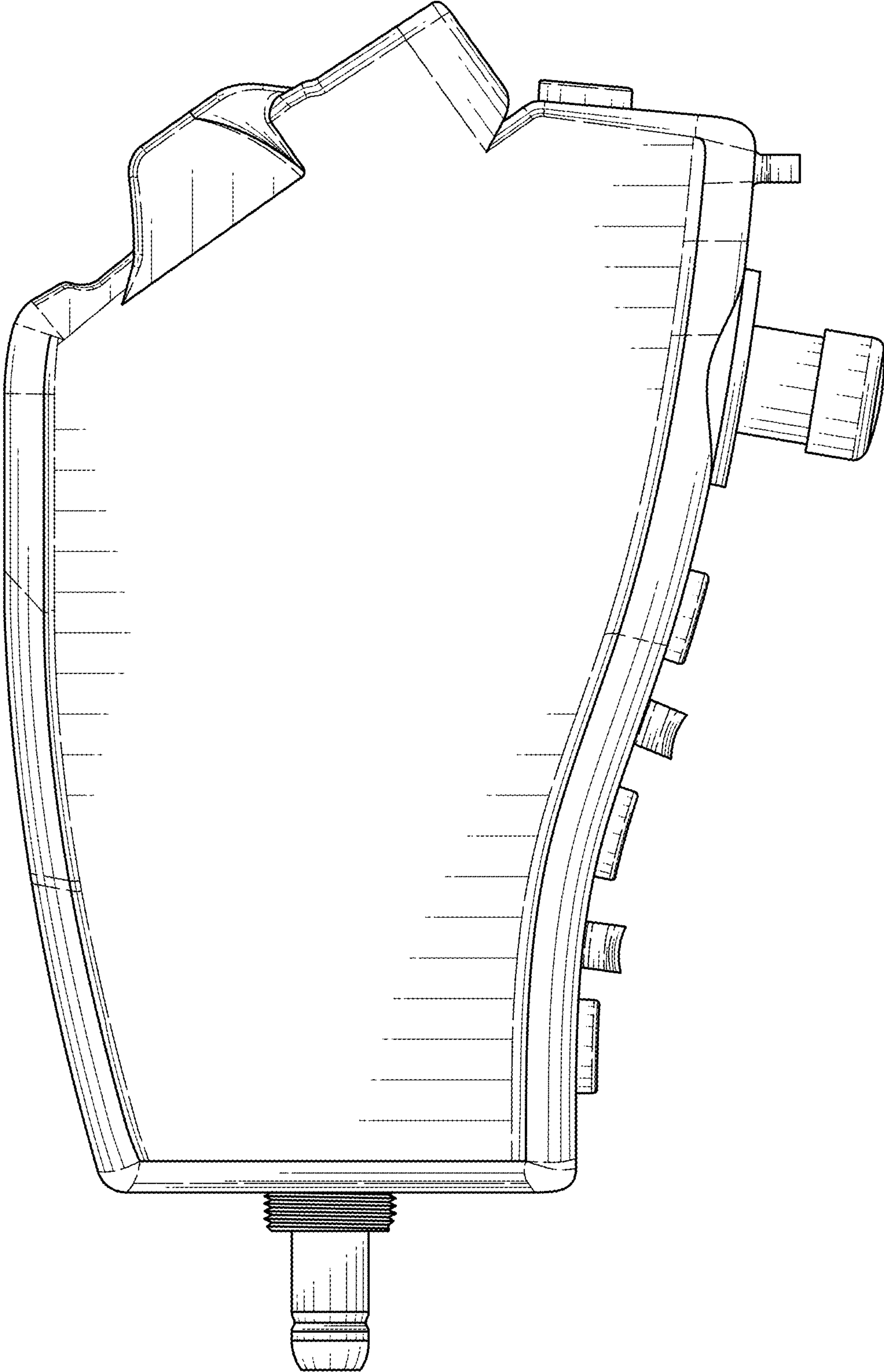


FIG. 14

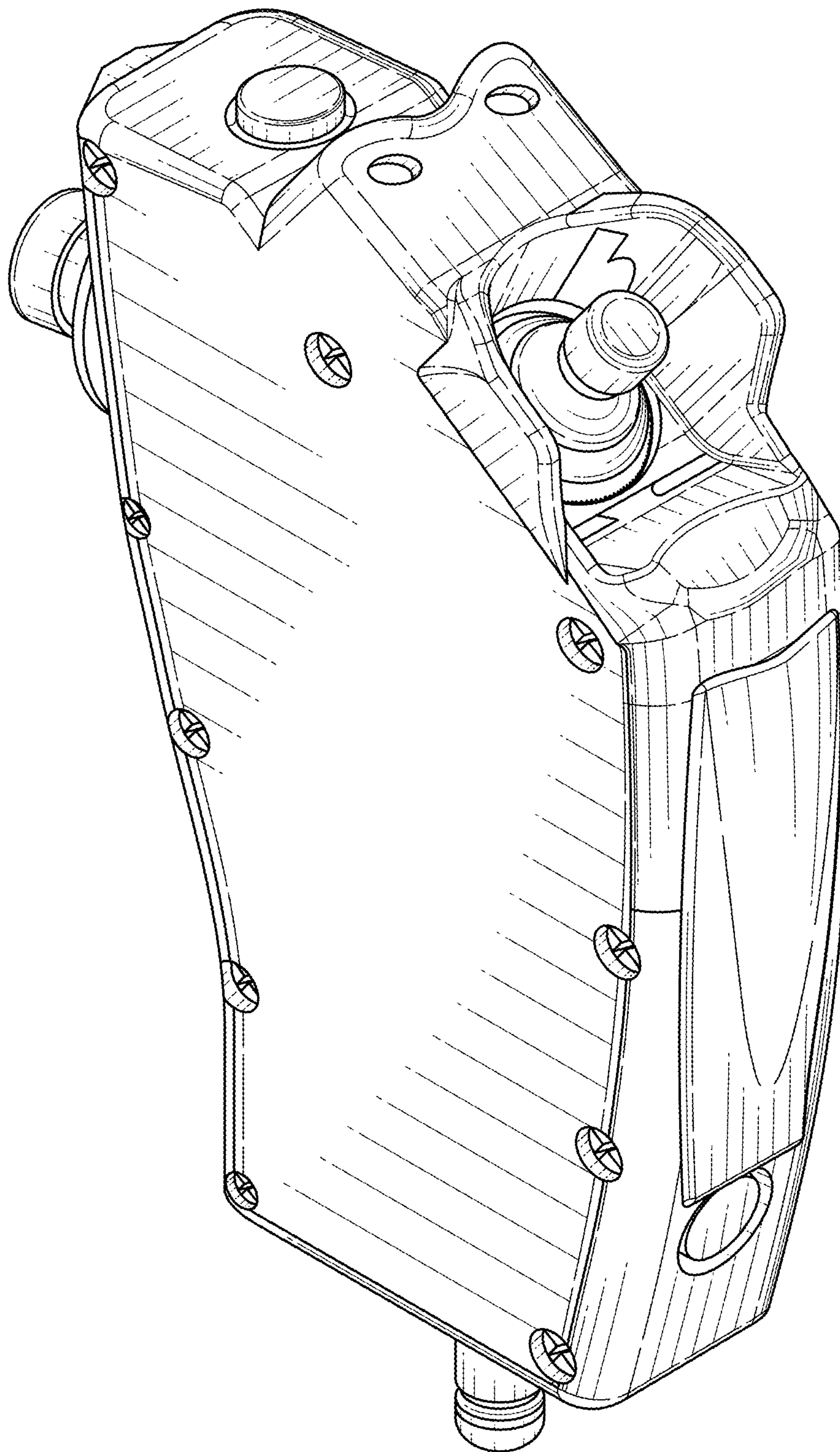


FIG. 15

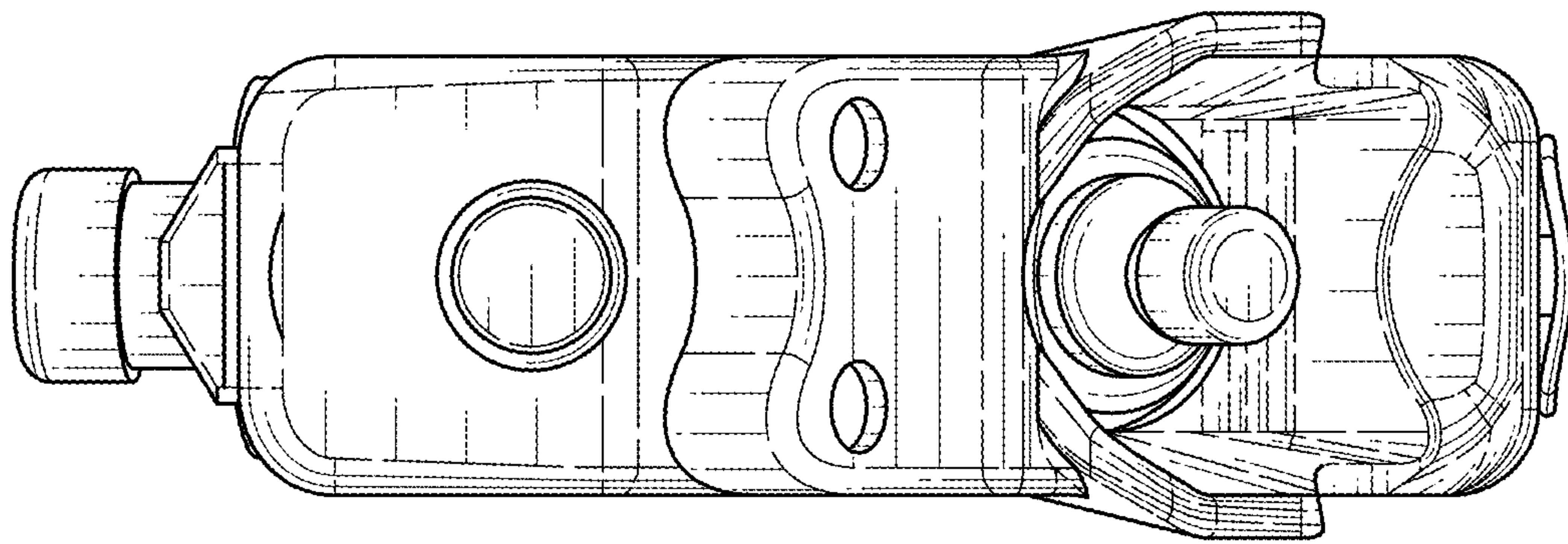


FIG. 16

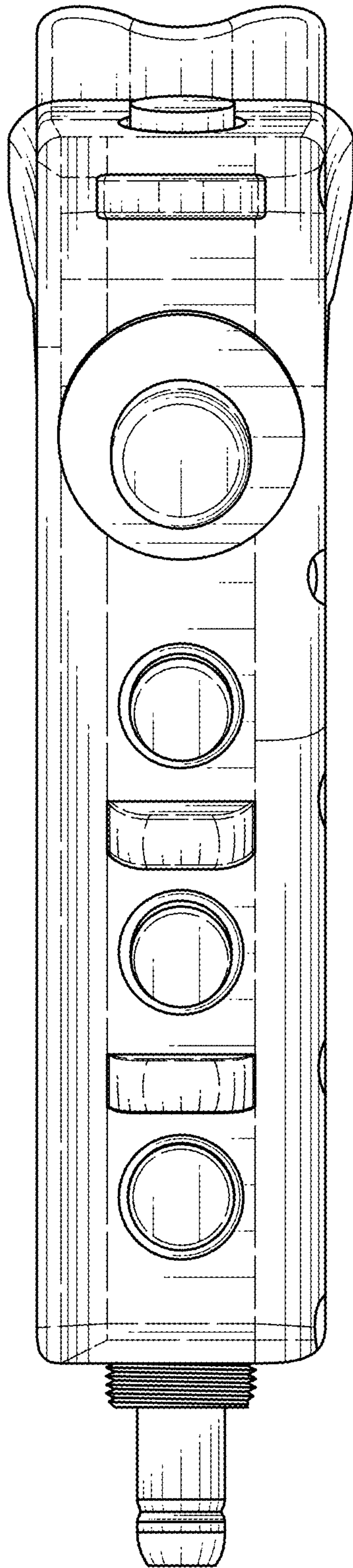


FIG. 17

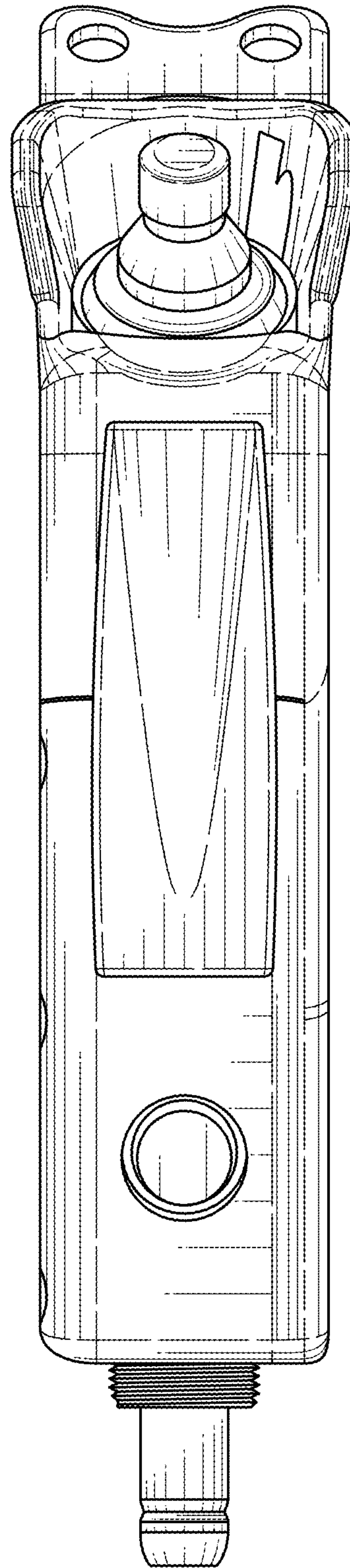


FIG. 18

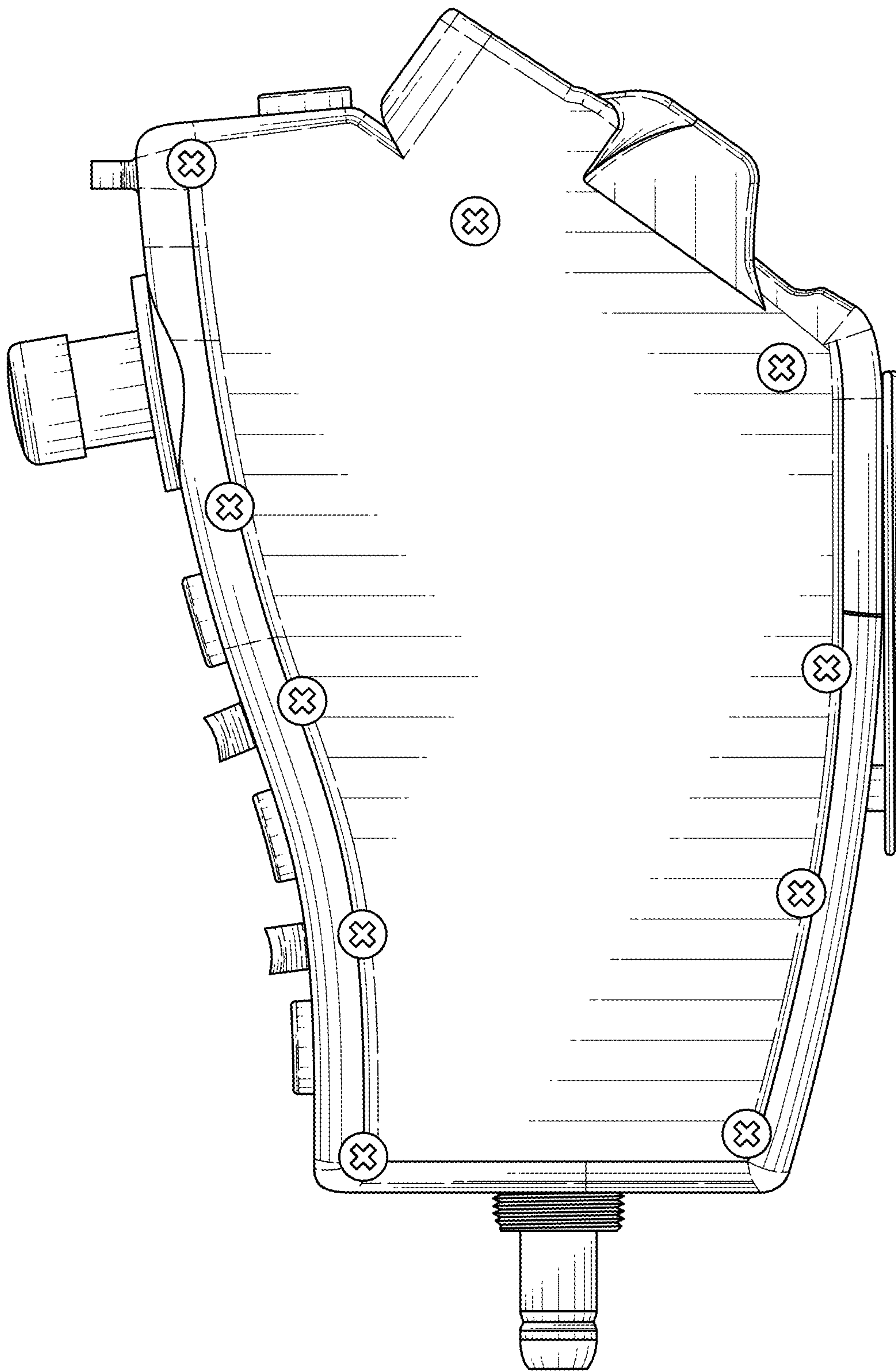


FIG. 19

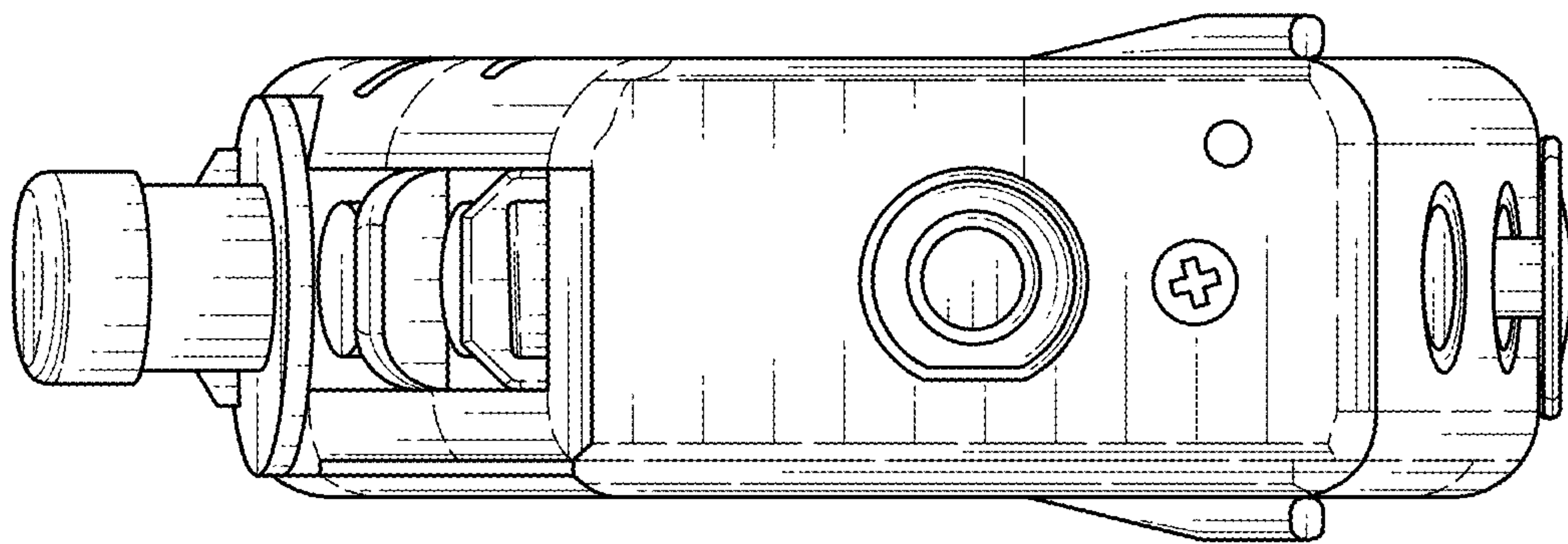


FIG. 20

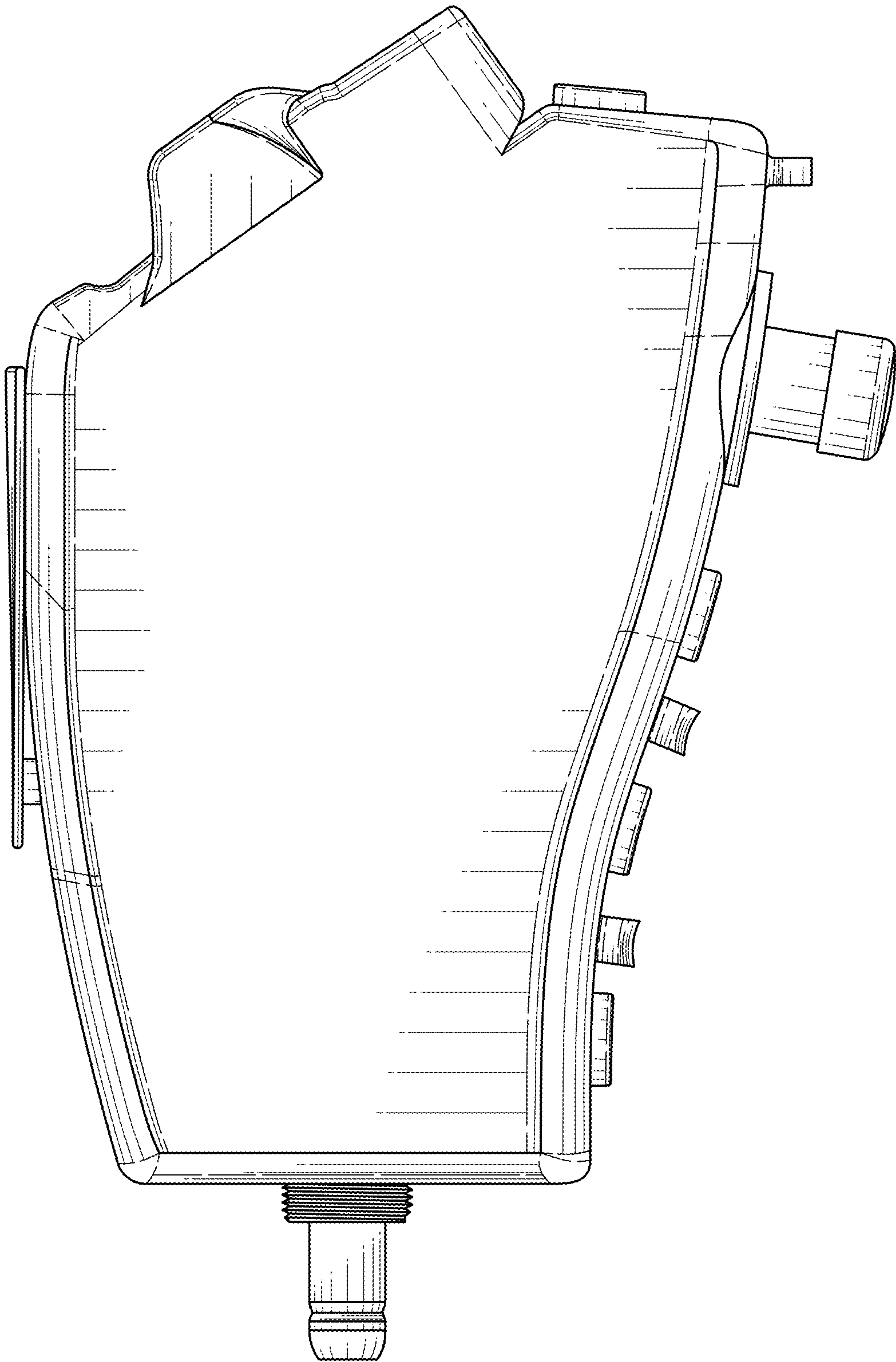


FIG. 21