



US00D913252S

(12) **United States Design Patent** (10) **Patent No.:** **US D913,252 S**
Altonen et al. (45) **Date of Patent:** **** *Mar. 16, 2021**

(54) **CONTROL DEVICE**
(71) Applicant: **Lutron Technology Company LLC**,
Coopersburg, PA (US)
(72) Inventors: **Gregory S. Altonen**, Easton, PA (US);
Jason C. Killo, Emmaus, PA (US);
Brad M. Kreschollek, Bethlehem, PA
(US); **Madia L. Rivera**, Bethlehem, PA
(US)
(73) Assignee: **Lutron Technology Company LLC**,
Coopersburg, PA (US)

D512,726 S 12/2005 Hernandez et al.
D539,758 S 4/2007 Blair et al.
D592,607 S 5/2009 Felegy, Jr. et al.
D625,273 S 10/2010 Felegy, Jr. et al.
D631,854 S 2/2011 Blair et al.
D633,874 S 3/2011 Feldstein et al.
D638,375 S 5/2011 Clymer et al.
D646,232 S 10/2011 Felegy, Jr. et al.
D649,123 S 11/2011 Jacoby et al.
D649,124 S 11/2011 Jacoby et al.
D690,668 S 10/2013 Jacoby et al.
D694,197 S 11/2013 Felegy, Jr. et al.

(Continued)

(*) Notice: This patent is subject to a terminal disclaimer.
(**) Term: **15 Years**
(21) Appl. No.: **29/688,169**
(22) Filed: **Apr. 18, 2019**

OTHER PUBLICATIONS
U.S. Appl. No. 29/719,578, filed Jan. 6, 2020 (unpublished).
(Continued)

Primary Examiner — Selina Sikder
(74) Attorney, Agent, or Firm — Saidman DesignLaw Group, LLC

Related U.S. Application Data

(63) Continuation of application No. 29/633,659, filed on Jan. 15, 2018, now Pat. No. Des. 846,507.
(51) **LOC (13) Cl.** **13-03**
(52) **U.S. Cl.**
USPC **D13/168**
(58) **Field of Classification Search**
USPC D13/162, 164, 168; D14/218, 495
CPC . H03J 1/0025; H01H 2009/187; G08C 17/00;
G08C 17/02; G08C 19/28; G08C 23/02;
G08C 23/04; H05B 39/088; H05K 5/0017
See application file for complete search history.

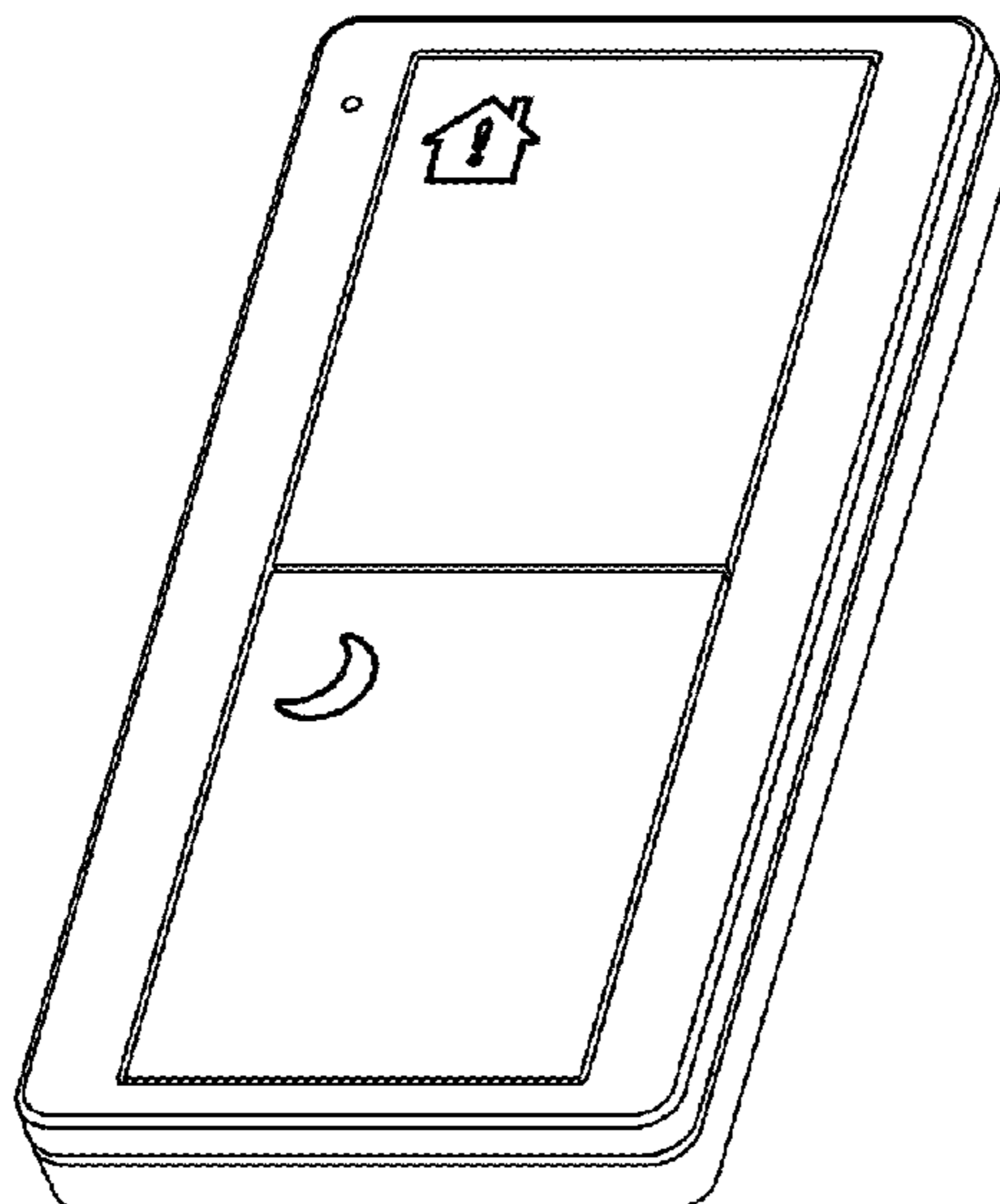
(57) **CLAIM**
We claim the ornamental design for a control device, as shown and described.

DESCRIPTION

FIG. 1 is a perspective view of a control device according to a first embodiment of our new design.
FIG. 2 is a front view thereof.
FIG. 3 is a left side view thereof.
FIG. 4 is a right side view thereof.
FIG. 5 is a top view thereof.
FIG. 6 is a bottom view thereof.
FIG. 7 is a perspective view of a control device according to a second embodiment of our new design; and,
FIG. 8 is a front view thereof.
The left side, right side, top and bottom views of the second embodiment are identical to the left side, right side, top, and bottom views of the first embodiment.

(56) **References Cited**
U.S. PATENT DOCUMENTS
6,222,921 B1 4/2001 Mugura et al.
D496,335 S 9/2004 Spira

1 Claim, 6 Drawing Sheets



(56)

References Cited

U.S. PATENT DOCUMENTS

D694,716 S	12/2013	Felegy, Jr. et al.	
D702,700 S	4/2014	Thompson	
D723,053 S	2/2015	Nagaoka	
D738,321 S	9/2015	Spira	
D752,107 S	3/2016	Yun	
D755,736 S	5/2016	Altonen et al.	
D757,100 S	5/2016	Butcher et al.	
D768,581 S	10/2016	Spira	
D771,648 S	11/2016	Rodriguez	
D774,470 S	12/2016	Altonen et al.	
D775,177 S	12/2016	Duchene et al.	
D795,202 S	8/2017	Dimberg et al.	
D795,918 S	8/2017	Bischoff et al.	
D795,926 S	8/2017	Bischoff	
D797,131 S	9/2017	Mizono et al.	
D818,445 S	5/2018	Altonen et al.	
D820,293 S	6/2018	Poel et al.	
D822,061 S	7/2018	Maibach	
D846,507 S *	4/2019	Altonen	D13/168
10,263,802 B2	4/2019	Burns	
D849,050 S	5/2019	Clymer	
2009/0271712 A1	10/2009	Ligh et al.	
2012/0130513 A1	5/2012	Hao et al.	
2013/0187780 A1	7/2013	Angelides	
2013/0305184 A1	11/2013	Kim	
2014/0237378 A1	8/2014	Gonen et al.	
2014/0268628 A1	9/2014	Mann et al.	

2015/0227223 A1	8/2015	Kang et al.
2016/0057029 A1	2/2016	Iida et al.
2016/0085431 A1	3/2016	Kim et al.
2016/0306509 A1	10/2016	Jeon et al.
2016/0364114 A1	12/2016	Von Dehsen et al.
2017/0185278 A1	6/2017	Sundermeyer et al.
2017/0193617 A1	7/2017	Gauglitz
2017/0364239 A1	12/2017	Gould et al.
2018/0321825 A1	11/2018	Martineli
2019/0034051 A1	1/2019	Jeon et al.

OTHER PUBLICATIONS

U.S. Appl. No. 29/633,657, filed Jan. 15, 2018 (unpublished).
 Lutron Connect App Guide, Rev. 2.0, Lutron Electronics Co., Inc., Sep. 16, 2016, 22 pp.
 U.S. Appl. No. 29/633,663, filed Jan. 15, 2018 (unpublished).
 Null, Christopher, "Ooma Home Security review: The Ooma Telo VoIP telephone system gets a security upgrade" Jul. 3, 2017, TechHive, site visited Apr. 12, 2019: <https://www.techhive.com/article/3204514/ooma-home-security-review-the-ooma-telo-voip-telephone-system-gets-a-security-upgrade.html>.
 "Smart Home for Beginners: Smart Home Security" Dec. 2, 2016, alarm.com, site visited Apr. 12, 2019: <https://www.alarm.com/blog/smart-home-beginners-security-system>.
 Designer see Touch Engraving Schedule, Rev 5, Lutron Electronics Co., Inc., Dec. 2009.
 U.S. Appl. No. 29/633,653, filed Jan. 15, 2018 (unpublished).

* cited by examiner

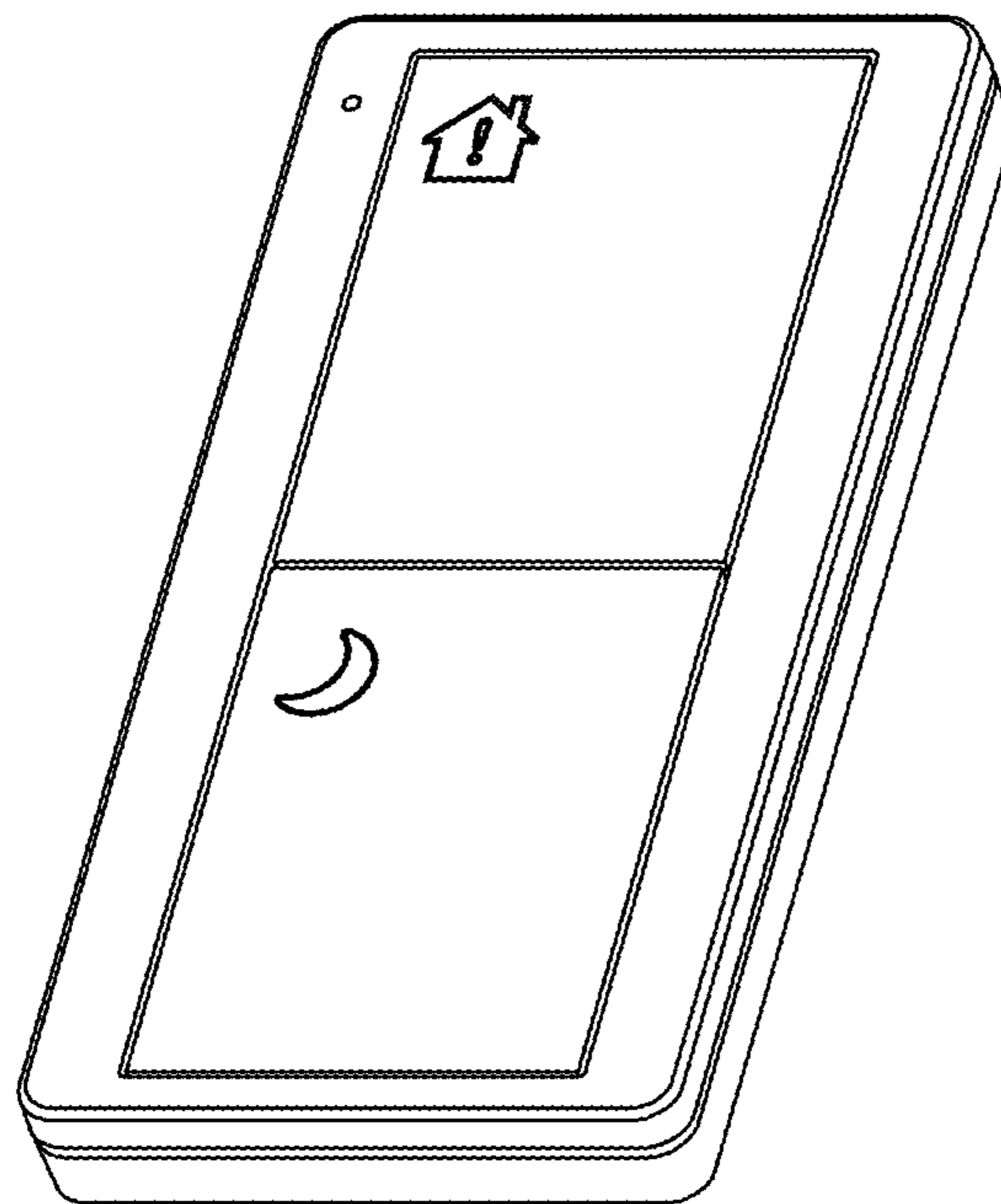


Fig. 1

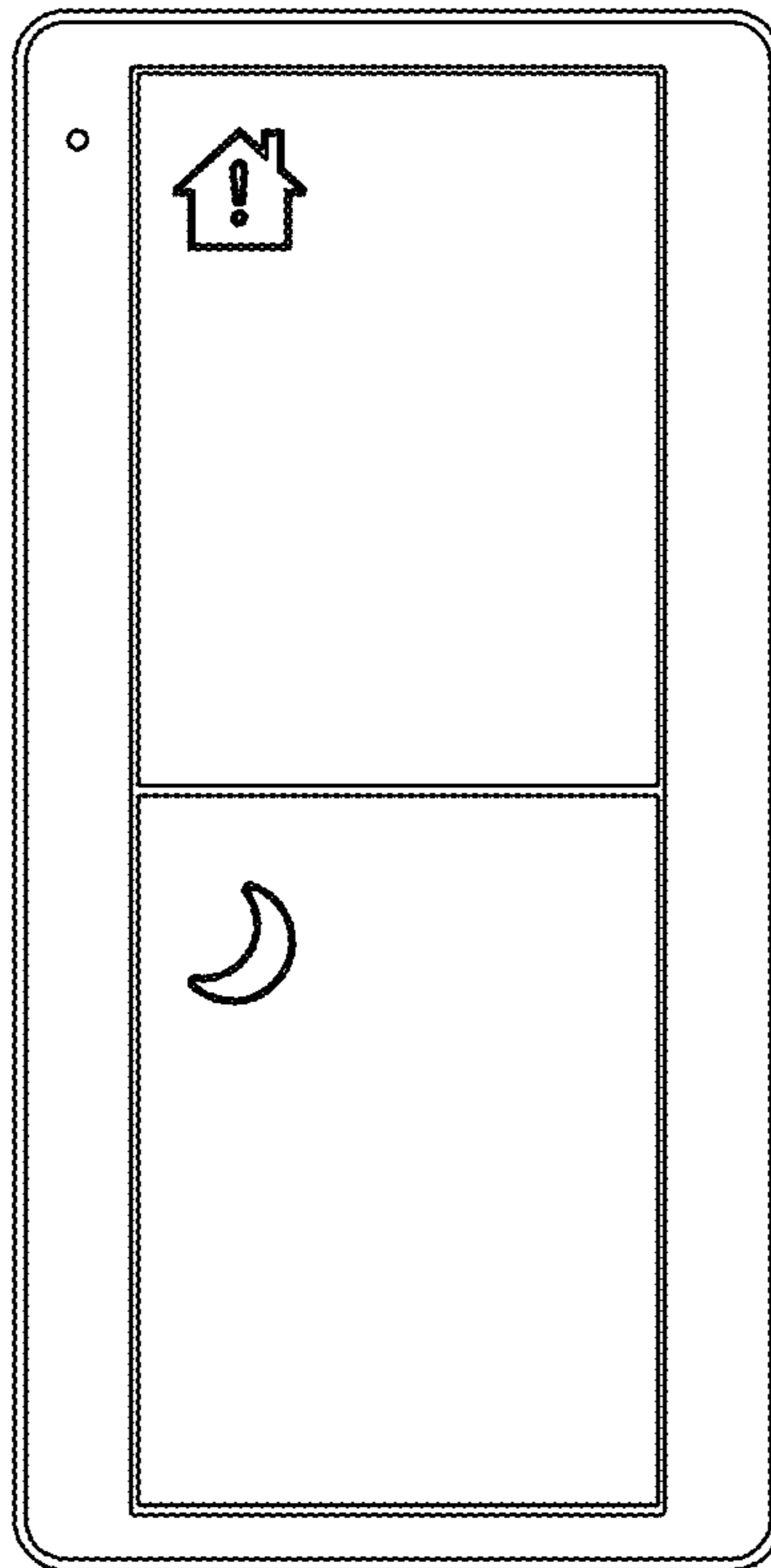


Fig. 2

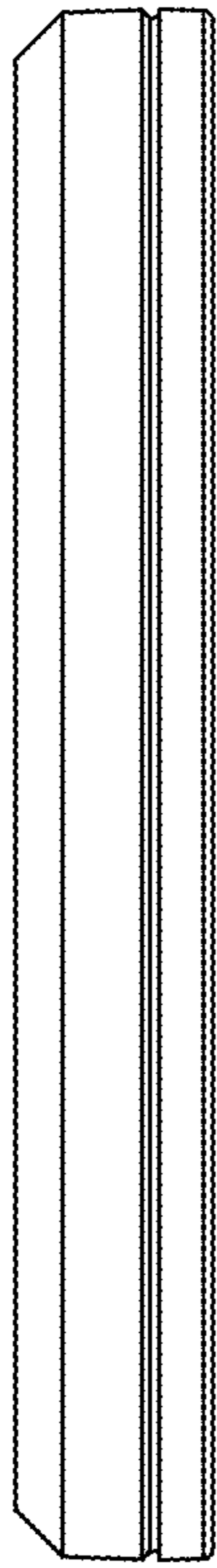


Fig. 3

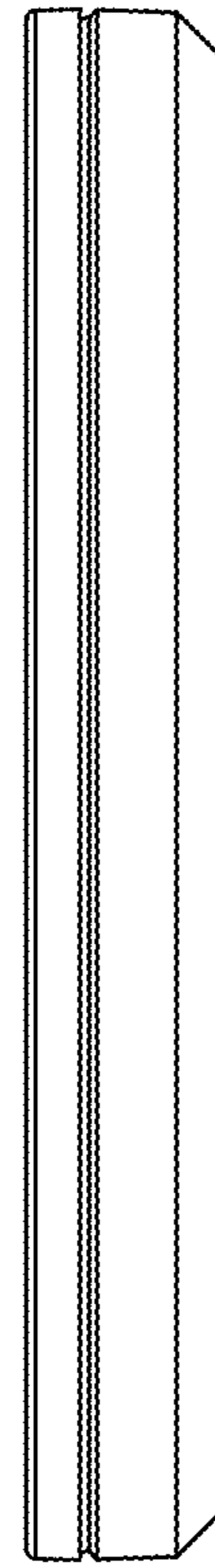


Fig. 4

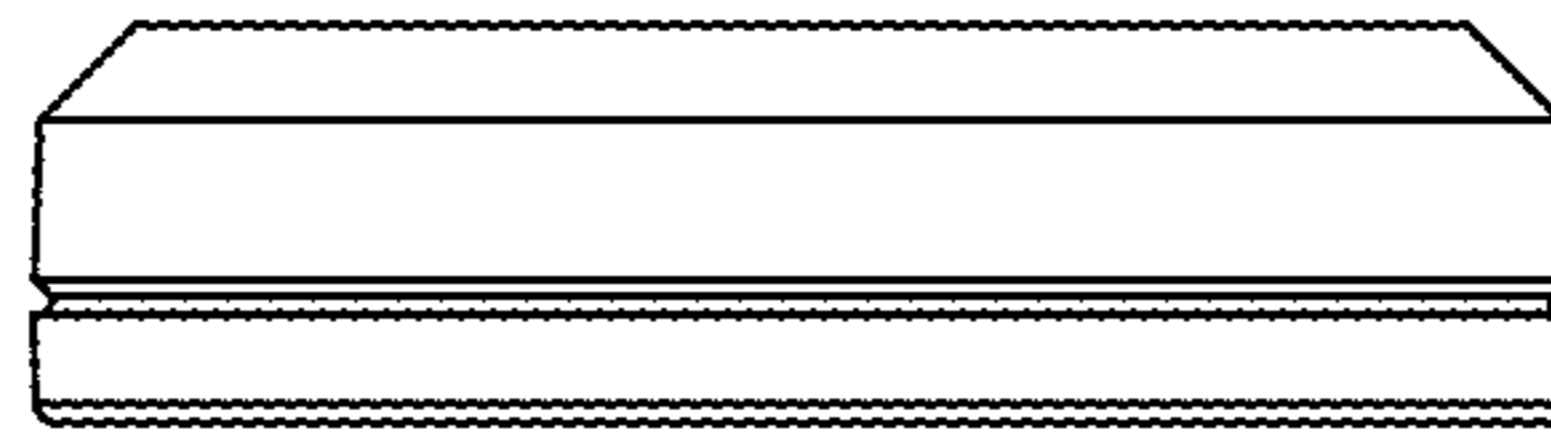


Fig. 5

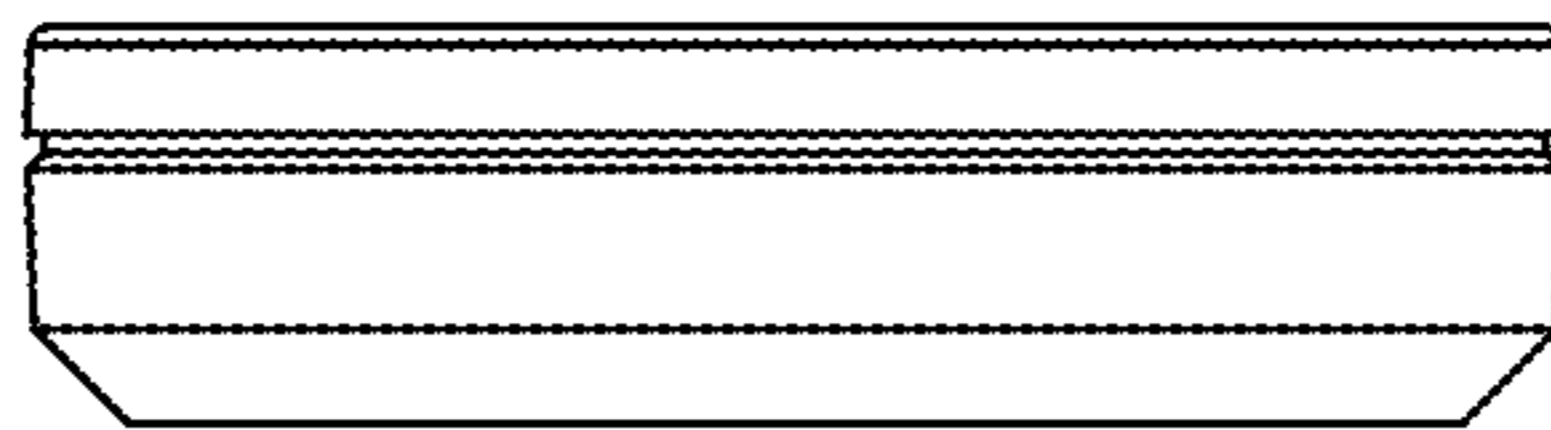


Fig. 6

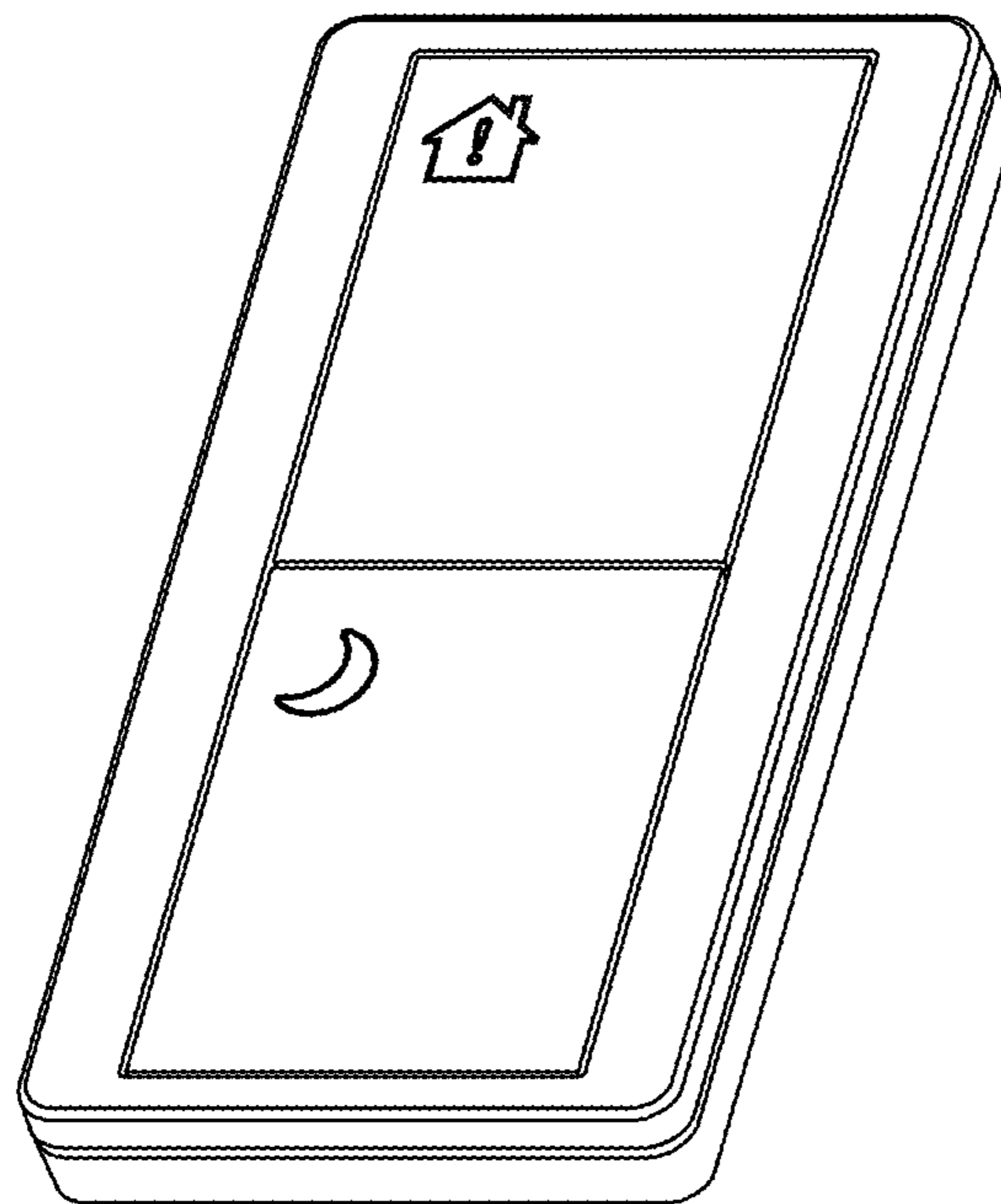


Fig. 7

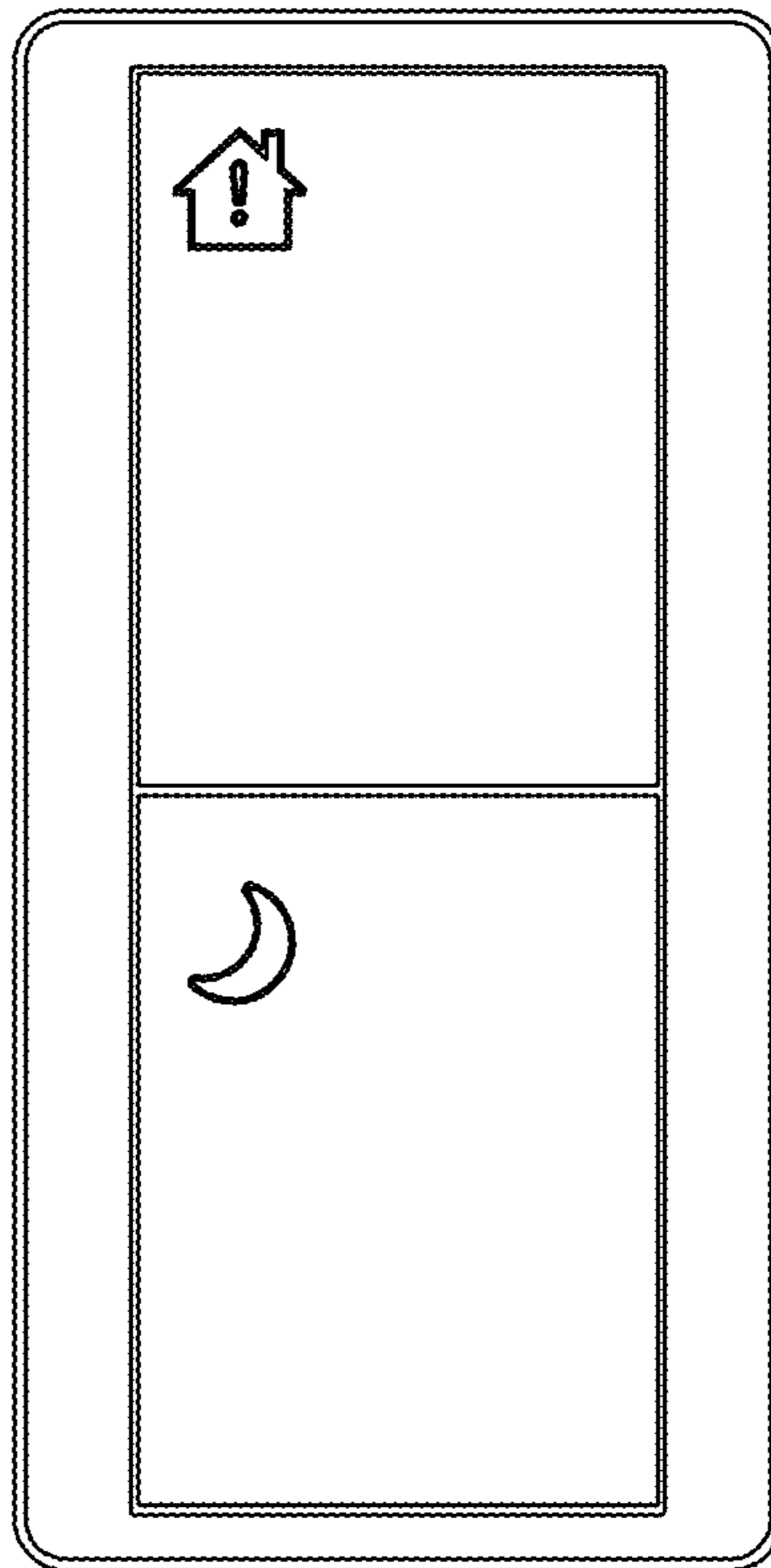


Fig. 8