



US00D913251S

(12) **United States Design Patent**
Mizusaki et al.

(10) **Patent No.:** **US D913,251 S**
(45) **Date of Patent:** **** Mar. 16, 2021**

(54) **PHOTOELECTRIC SENSOR**
(71) Applicant: **OMRON Corporation**, Kyoto (JP)
(72) Inventors: **Hiroyuki Mizusaki**, Fukuchiyama (JP);
Jumpei Nakamura, Ayabe (JP);
Tomohiro Tsuji, Ayabe (JP); **Tsuyoshi**
Miyata, Ayabe (JP)
(73) Assignee: **OMRON Corporation**, Kyoto (JP)

(**) Term: **15 Years**

(21) Appl. No.: **29/694,007**

(22) Filed: **Jun. 6, 2019**

(30) **Foreign Application Priority Data**

Mar. 15, 2019 (JP) 2019-005530

(51) **LOC (13) Cl.** **13-03**

(52) **U.S. Cl.**
USPC **D13/165; D10/70**

(58) **Field of Classification Search**
USPC D13/101, 102, 110, 118, 121, 123, 133,
D13/158, 162, 162.1, 165, 173, 184;
D10/70, 78, 80, 106.3, 106.5
CPC . G01S 17/02; G01S 17/04; G01S 7/51; G01S
7/497; G01S 7/4813; G01S 7/4972; G01P
1/02; G01P 1/08; G01V 8/12; G06F
3/048
See application file for complete search history.

(56) **References Cited**

U.S. PATENT DOCUMENTS

4,021,665 A * 5/1977 Haas H01L 31/16
250/239
D255,031 S * 5/1980 Lazzara D13/165

D401,563 S * 11/1998 La Police D13/165
D421,422 S * 3/2000 La Police D13/165
D453,147 S * 1/2002 Sato D13/165
D454,840 S * 3/2002 Ohbayashi D13/133
6,642,510 B1 * 11/2003 Sugiyama G01S 7/4813
250/239
D494,143 S * 8/2004 Sato D13/165
D495,302 S * 8/2004 Fujita D13/165
D548,184 S * 8/2007 Harano D13/133
D621,792 S * 8/2010 Miller D13/162
D807,821 S * 1/2018 Molnar D13/110
2006/0279867 A1 * 12/2006 Deguchi G01V 8/14
359/896
2017/0253369 A1 * 9/2017 Mizusaki H01L 31/0203

* cited by examiner

Primary Examiner — Derrick E Holland

(74) *Attorney, Agent, or Firm* — Capitol City TechLaw

(57) **CLAIM**

The ornamental design for a photoelectric sensor, as shown and described.

DESCRIPTION

FIG. 1 is a top, rear, and left side perspective view of a photoelectric sensor showing our new design;
FIG. 2 is a bottom, rear, and right side perspective view thereof;
FIG. 3 is a front view thereof;
FIG. 4 is a rear view thereof;
FIG. 5 is a left side view thereof;
FIG. 6 is a right side view thereof;
FIG. 7 is a top view thereof; and,
FIG. 8 is a bottom view thereof.
The dashed broken lines in the figures show portions of the photoelectric sensor that form no part of the claimed design. The dot-dashed broken lines shown in the figures represent boundaries that form no part of the claimed design.

1 Claim, 8 Drawing Sheets

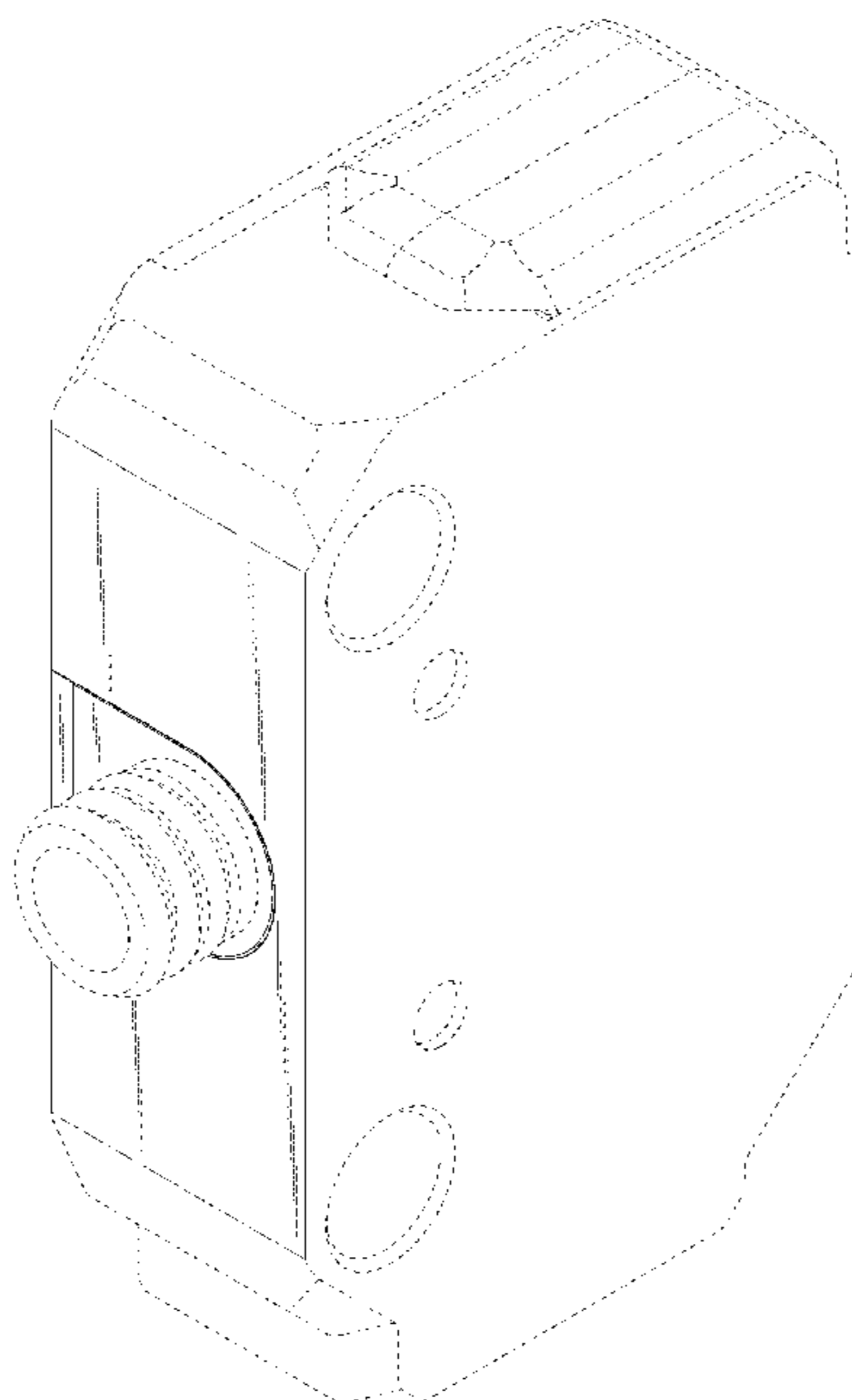


Fig. 1

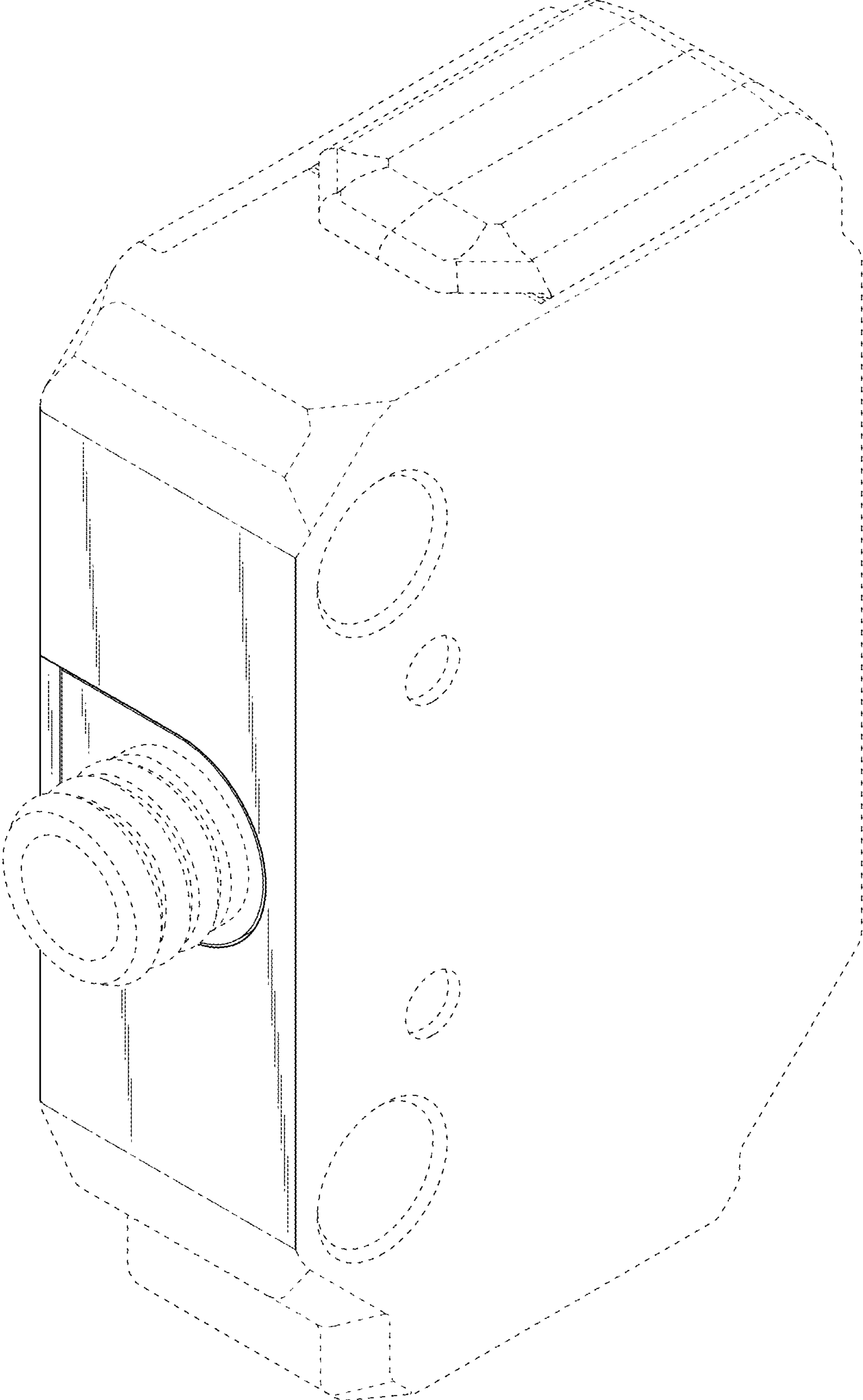


Fig. 2

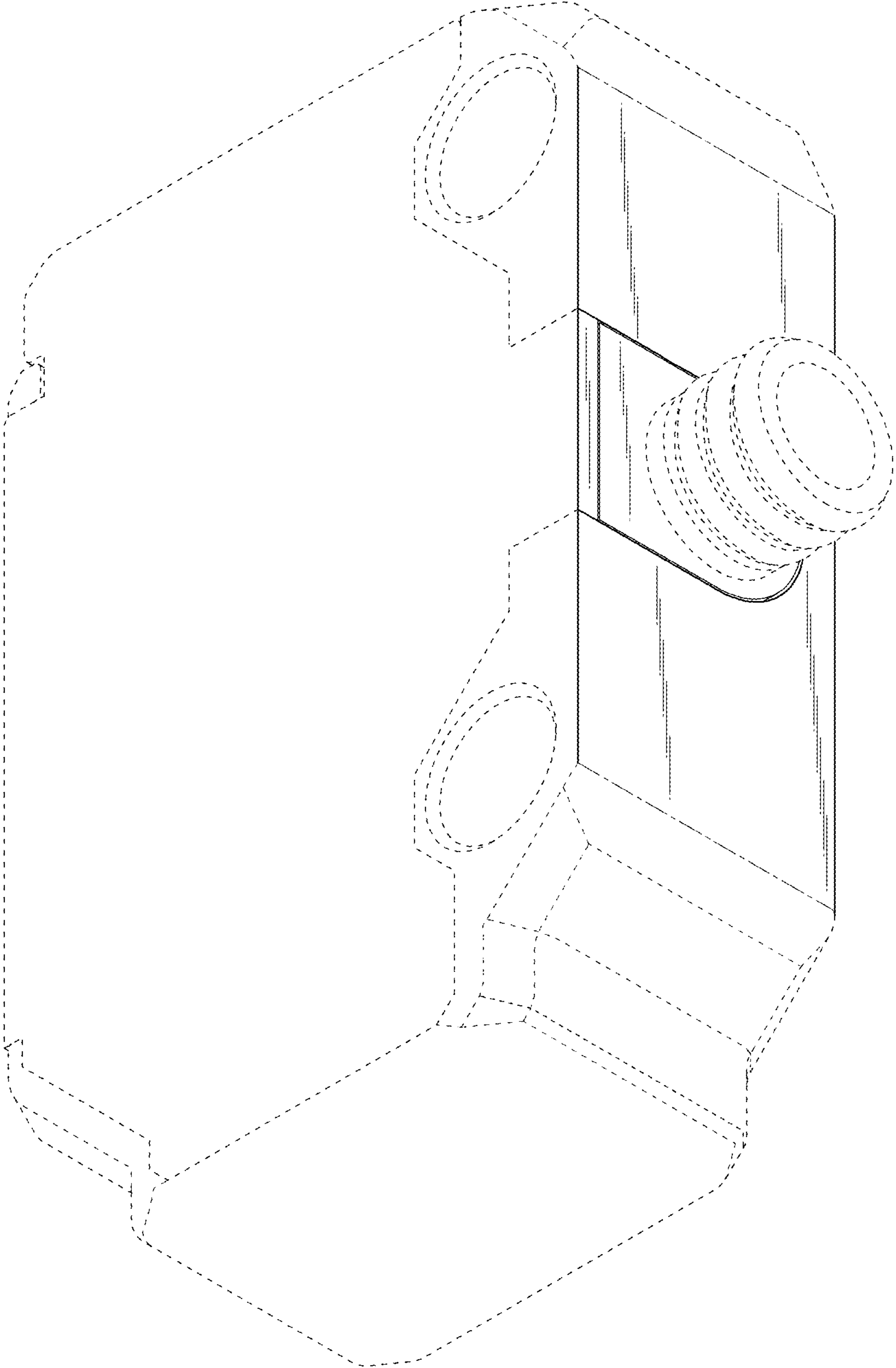


Fig. 3

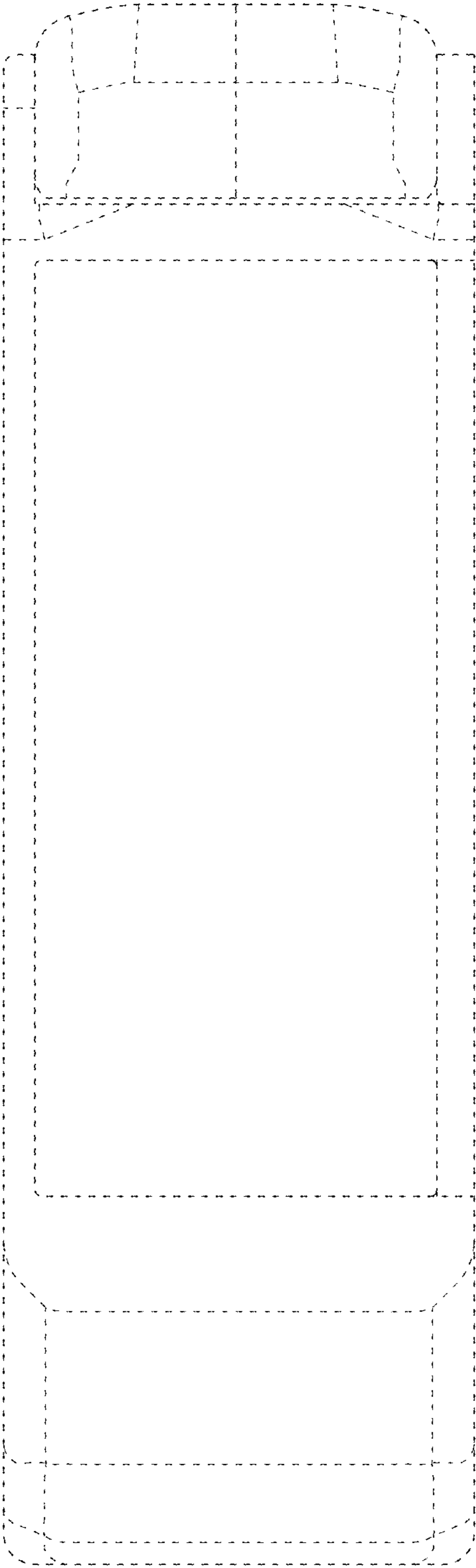


Fig. 4

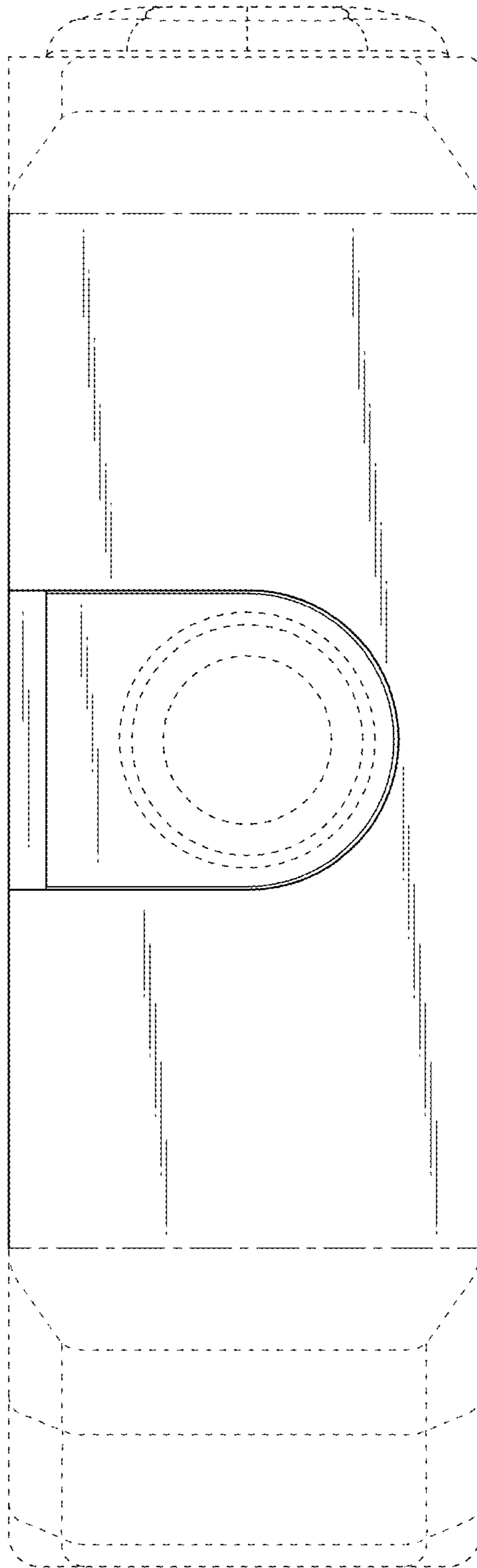


Fig. 5

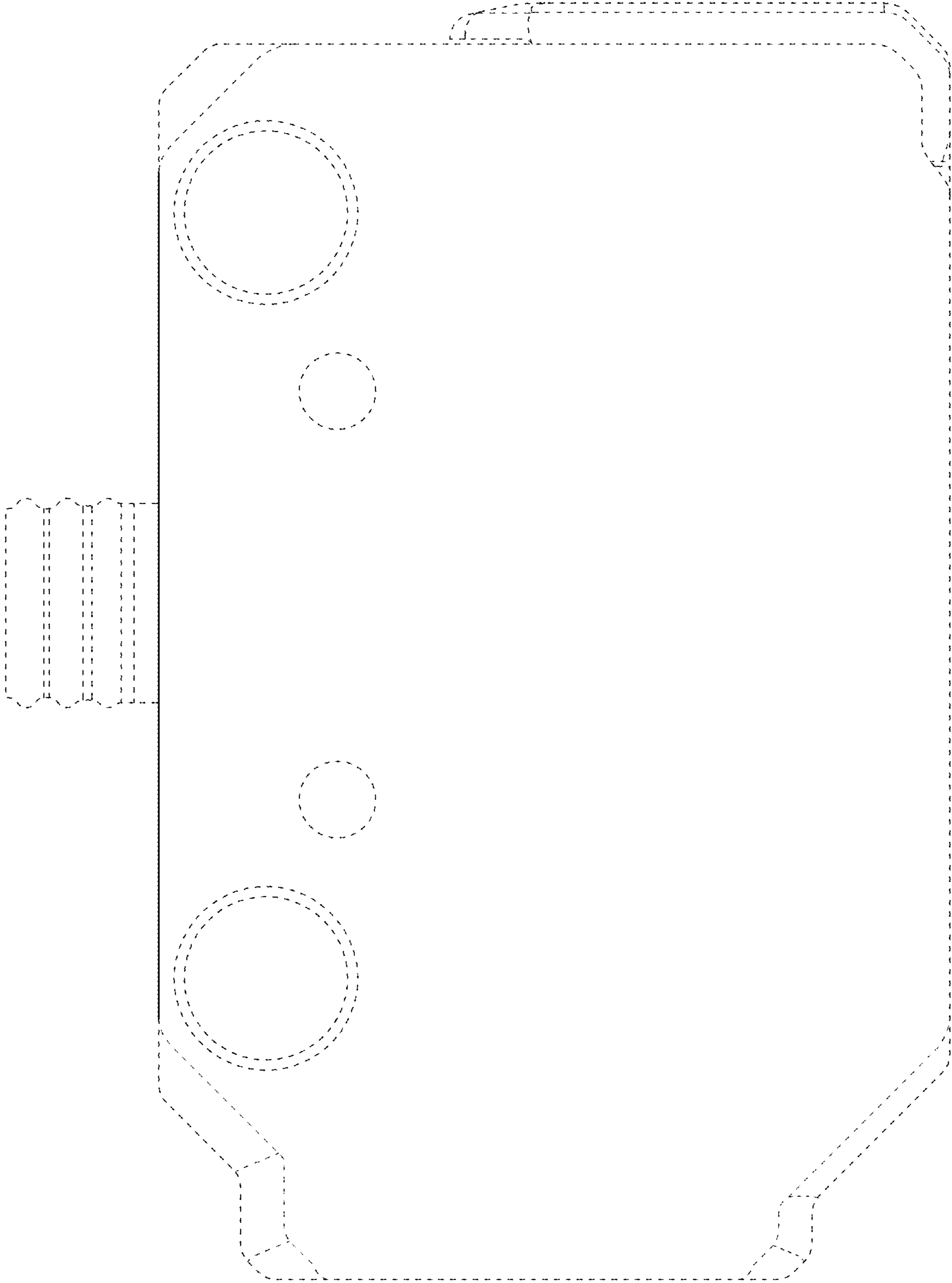


Fig. 6

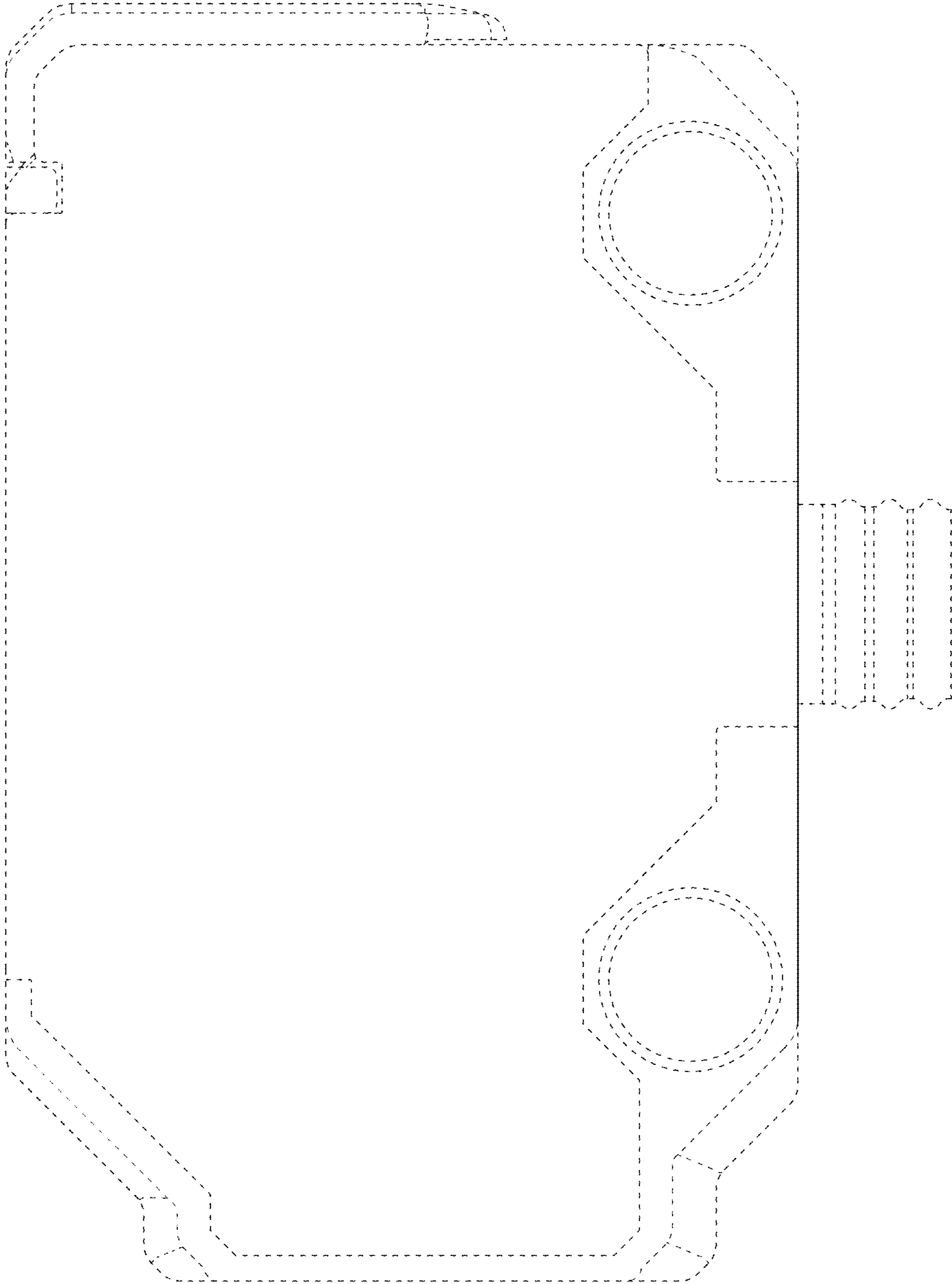


Fig. 7

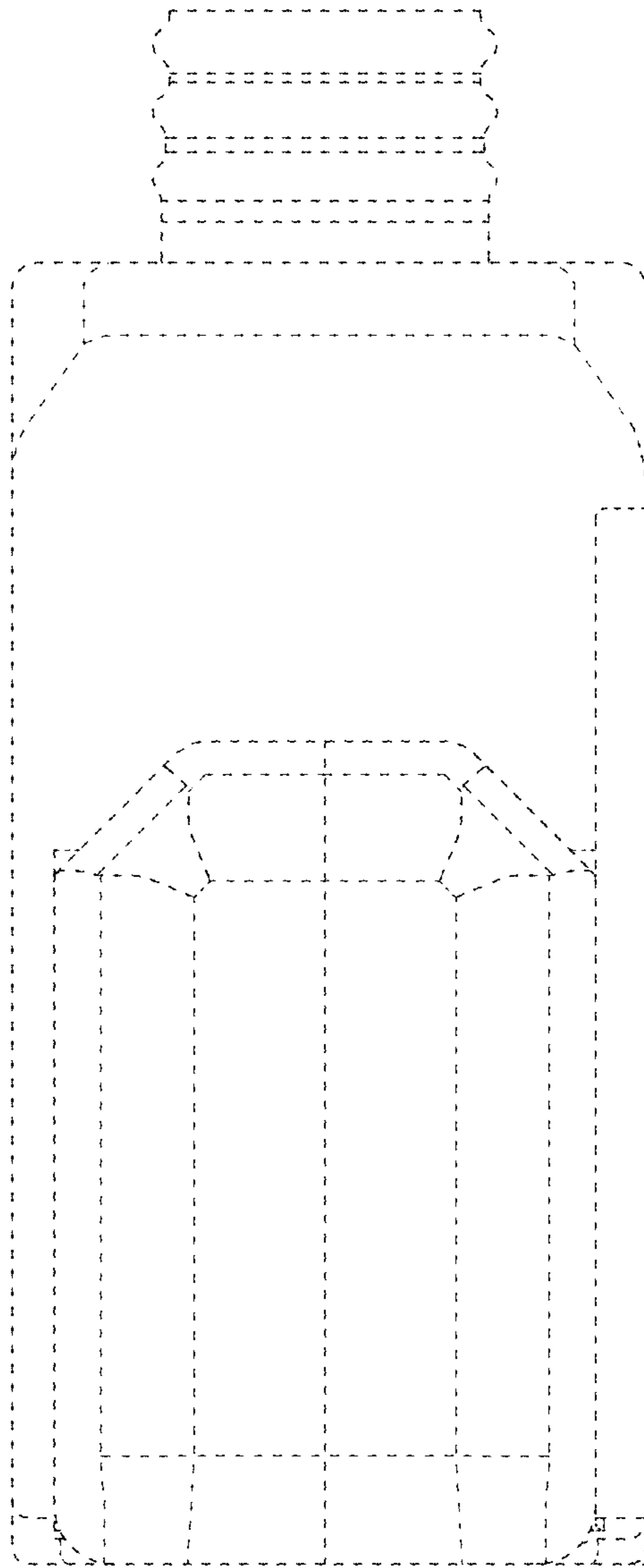


Fig. 8

