



US00D913249S

(12) **United States Design Patent**  
**Schmelling**

(10) **Patent No.:** **US D913,249 S**

(45) **Date of Patent:** **\*\* Mar. 16, 2021**

(54) **CONTROL BOX**

(71) Applicant: **LINAK A/S**, Nordborg (DK)

(72) Inventor: **Steffen Schmelling**, København N (DK)

(73) Assignee: **LINAK A/S**, Nordborg (DK)

(\*\*) Term: **15 Years**

(21) Appl. No.: **29/690,495**

(22) Filed: **May 8, 2019**

(30) **Foreign Application Priority Data**

Nov. 9, 2018 (DK) ..... DA 2018 00144  
Nov. 9, 2018 (DK) ..... DA 2018 00145  
Nov. 9, 2018 (DK) ..... DA 2018 00146

(51) **LOC (13) Cl.** ..... **13-03**

(52) **U.S. Cl.**  
USPC ..... **D13/162**

(58) **Field of Classification Search**

USPC ... D13/110, 123, 147, 162, 162.1, 164, 184;  
D15/143, 148  
CPC .... A47C 7/506; H01R 13/514; H01R 13/639;  
H05K 5/00; H05K 5/0004; H05K 5/0021;  
H05K 5/0026; H05K 5/03; H05K 5/04;  
H05K 5/06; H05K 7/1462; H05K 7/1472  
See application file for complete search history.

(56) **References Cited**

**U.S. PATENT DOCUMENTS**

D552,039 S \* 10/2007 Liao ..... D13/162  
D660,798 S \* 5/2012 Tseng ..... D13/110  
8,885,352 B2 \* 11/2014 Tseng ..... H05K 7/1432  
361/752  
D719,533 S \* 12/2014 Lin ..... D13/162  
D721,658 S \* 1/2015 Lin ..... D13/162  
9,070,957 B2 \* 6/2015 Wu ..... H01M 10/4257

(Continued)

**OTHER PUBLICATIONS**

Data Sheet for DewertOkin—ACCUCONTROL 4.5 Control Unit (5 pgs.) retrieved from <https://web.archive.org/web/20170709212838/https://www.dewertokin.com/products/medical/control-units/accucontrol-45/> (Wayback Machine) with date of Jul. 9, 2017.

(Continued)

*Primary Examiner* — Selina Sikder

(74) *Attorney, Agent, or Firm* — Dykema Gossett PLLC

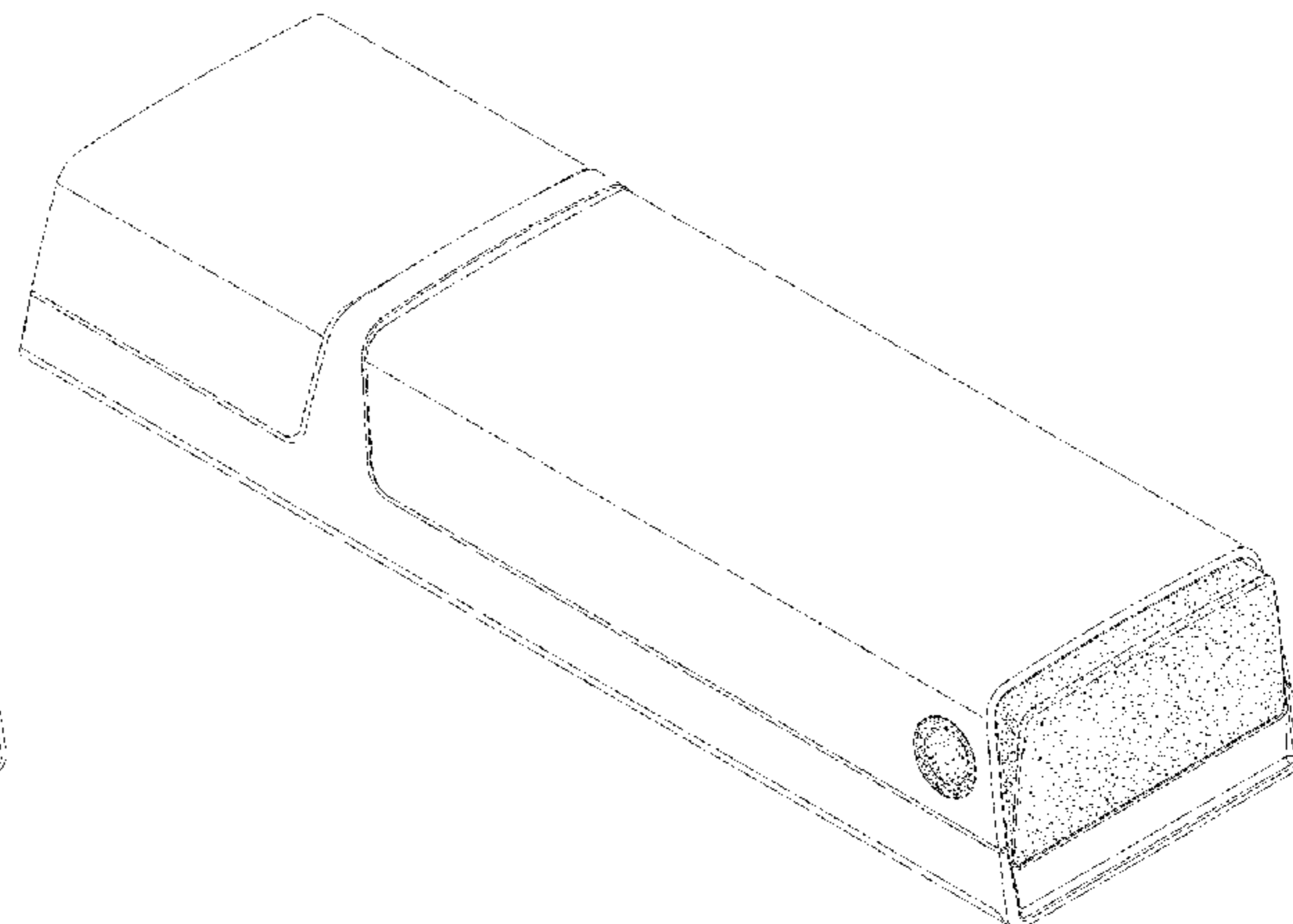
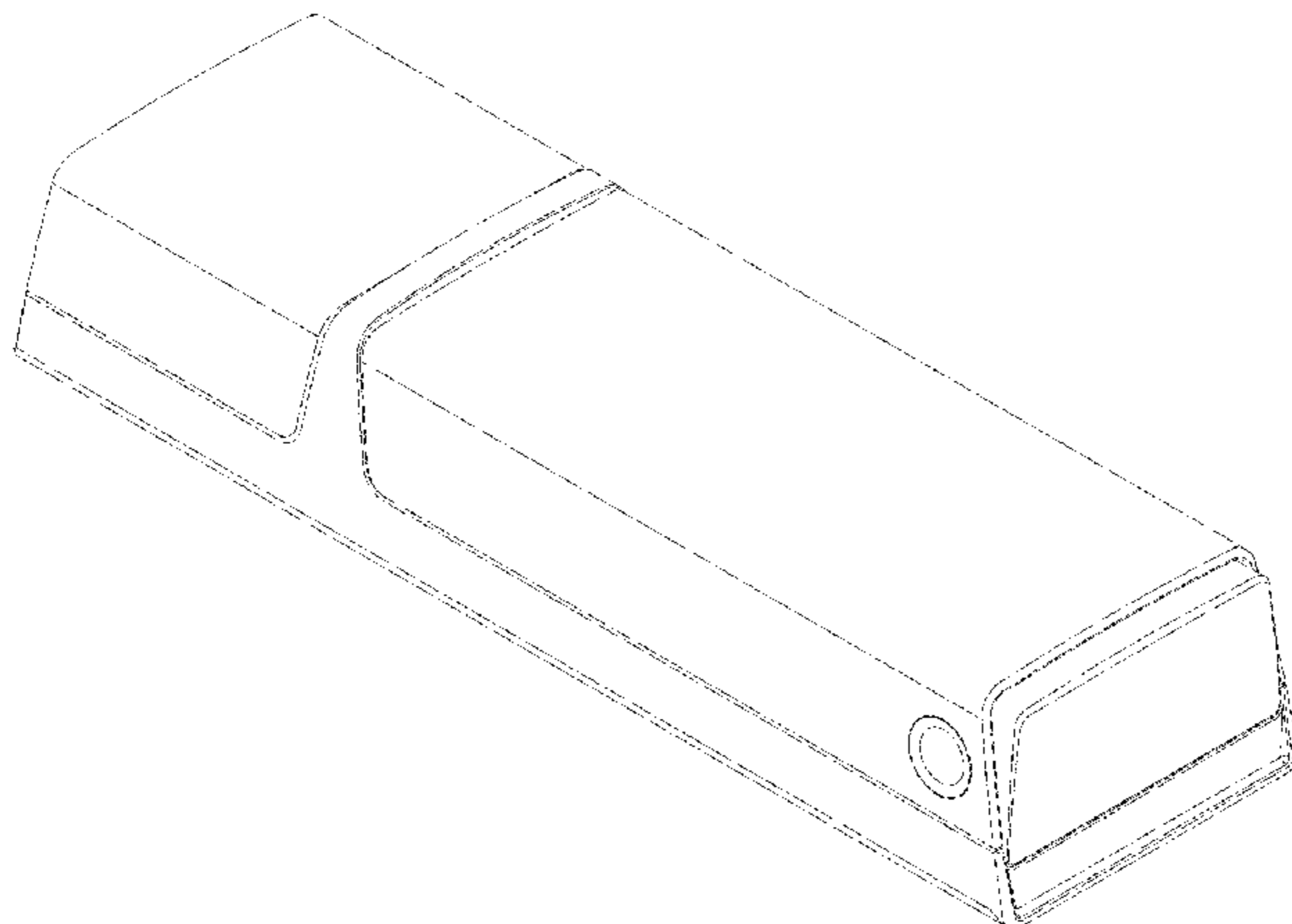
(57) **CLAIM**

The ornamental design for a control box, as shown and described.

**DESCRIPTION**

FIG. 1 is a perspective front side view of a first embodiment of a control box seen from the top;  
FIG. 2 is a perspective rear side view seen from the bottom thereof;  
FIG. 3 is an elevational front side view thereof;  
FIG. 4 is an elevational rear side view thereof;  
FIG. 5 is an elevational left side view thereof;  
FIG. 6 is an elevational right side view thereof;  
FIG. 7 is a top plan view thereof;  
FIG. 8 is a bottom plan view thereof;  
FIG. 9 is a perspective front side view of a second embodiment of a control box seen from the top;  
FIG. 10 is a perspective rear side view seen from the bottom thereof;  
FIG. 11 is an elevational front side view thereof;  
FIG. 12 is an elevational rear side view thereof;  
FIG. 13 is an elevational left side view thereof;  
FIG. 14 is an elevational right side view thereof;  
FIG. 15 is a top plan view thereof; and,  
FIG. 16 is a bottom plan view thereof.  
FIGS. 1-8 for the first embodiment are black and white drawings. In the second embodiment, the stippled areas in FIGS. 9-11 and FIGS. 13-15 are shown to represent contrasting surfaces to adjacent non-stippled areas.

**1 Claim, 16 Drawing Sheets**



(56)

**References Cited**

U.S. PATENT DOCUMENTS

9,341,248 B2 \* 5/2016 Wu ..... F16C 29/005  
D792,356 S \* 7/2017 Lin ..... D13/162  
9,989,133 B2 \* 6/2018 Wu ..... F16H 57/039  
D869,403 S \* 12/2019 Shen ..... D13/162  
D875,044 S \* 2/2020 Chen ..... D13/110

OTHER PUBLICATIONS

Data Sheet for LINAK Actuator Control Boxes (3 pgs.) retrieved from <https://web.archive.org/web/20170928205346/http://www.linak-us.com/products/control-boxes.aspx> (Wayback Machine), with date of Sep. 28, 2017.

Data Sheet for TiMotion TC 12 Series (7 pgs.) [https://www.timotion.com/\\_upload/files/datasheet\\_tc12-g\\_en.pdf](https://www.timotion.com/_upload/files/datasheet_tc12-g_en.pdf), with date of Apr. 20, 2017.

\* cited by examiner

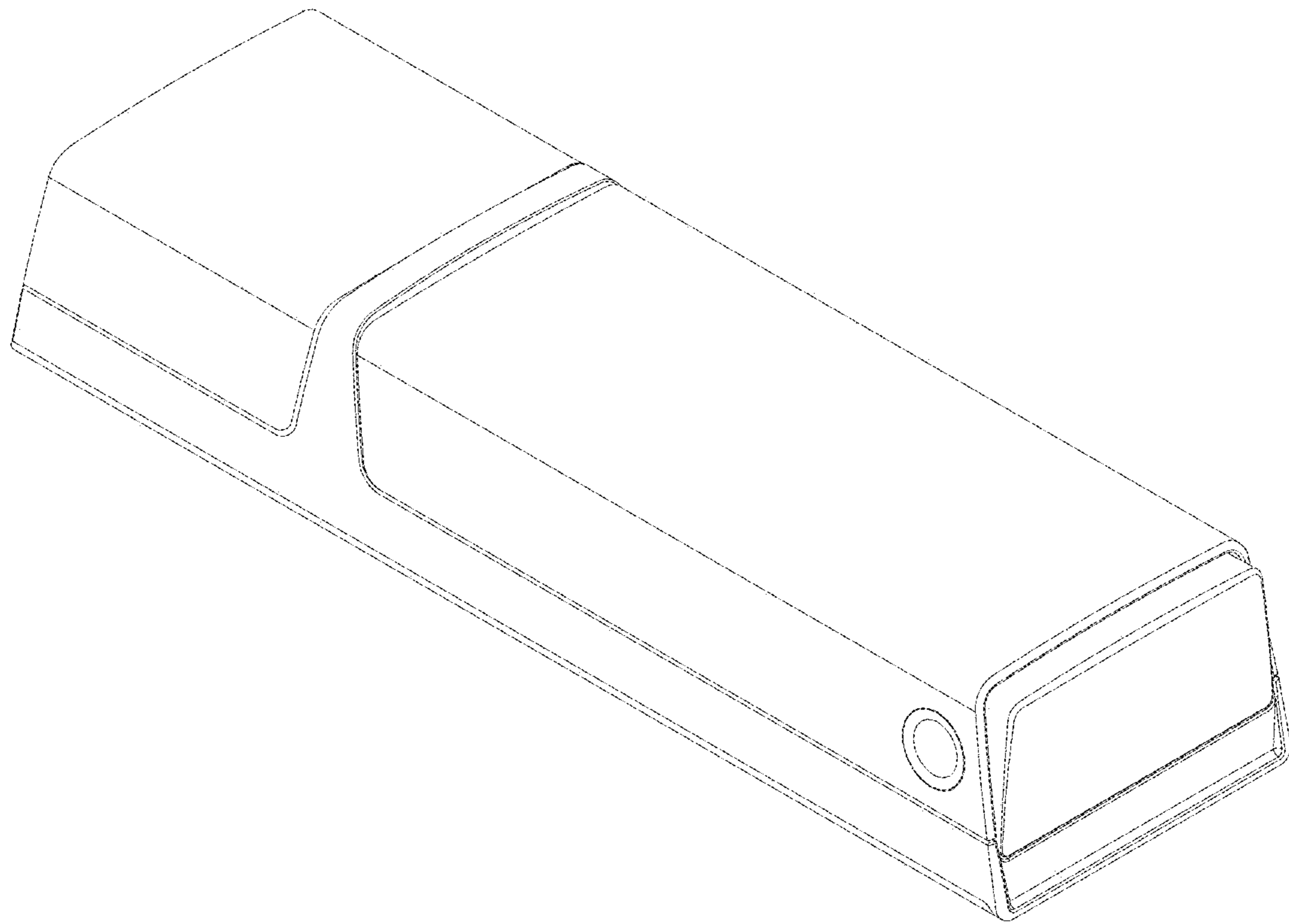


Fig. 1

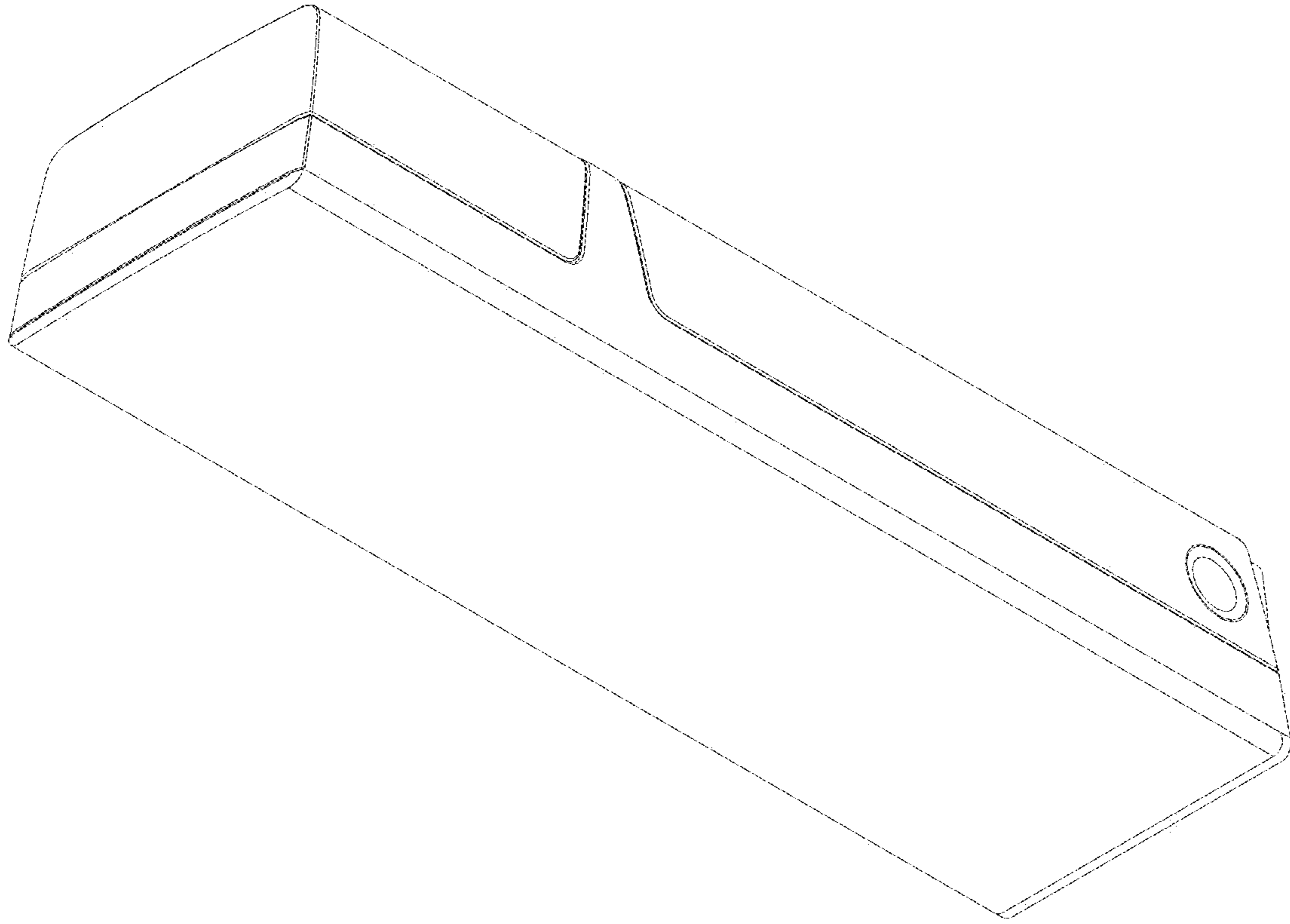


Fig. 2

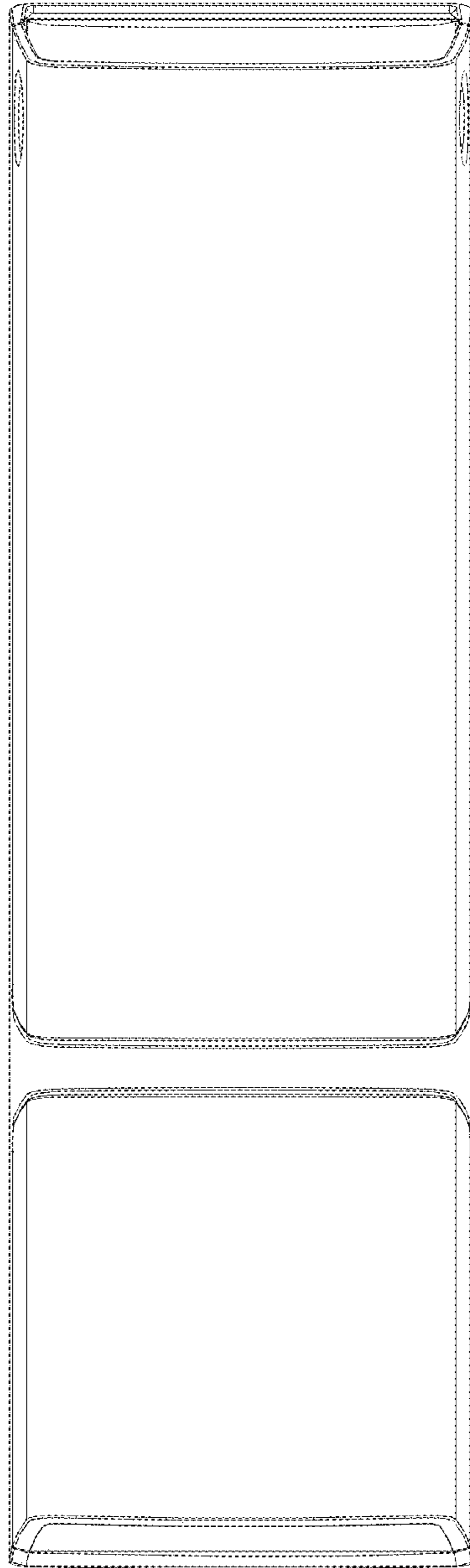


Fig. 3

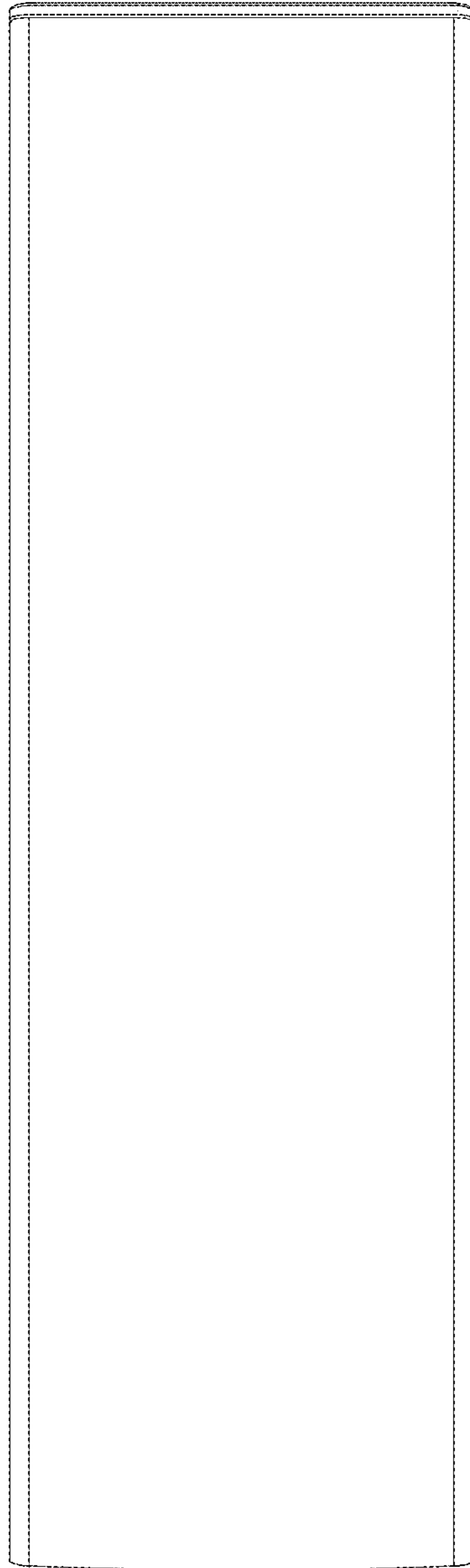


Fig. 4

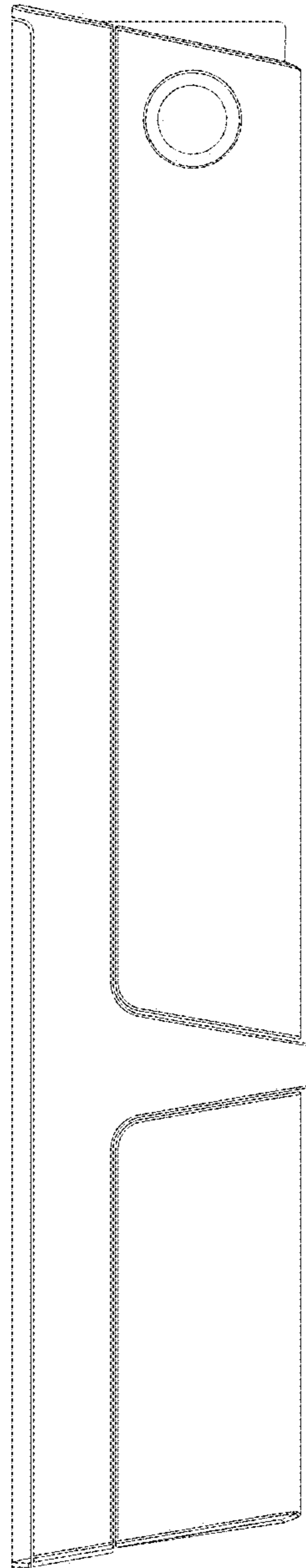


Fig. 5

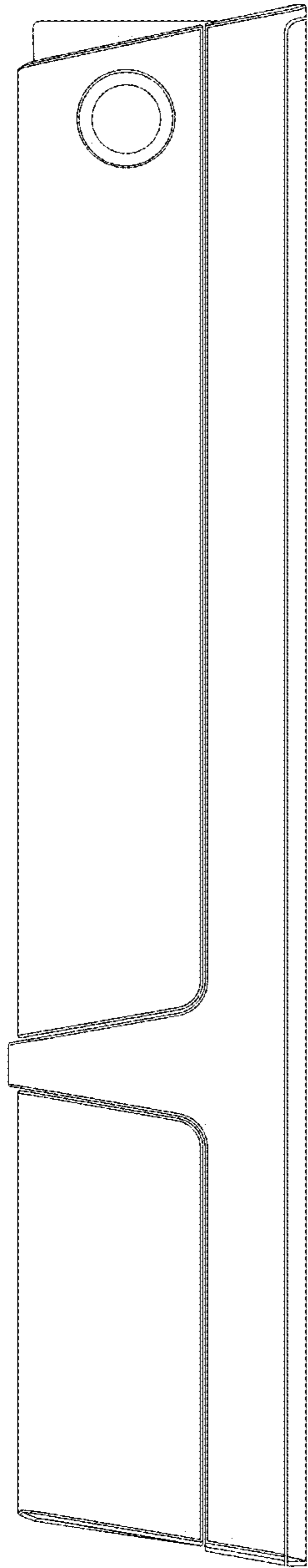


Fig. 6



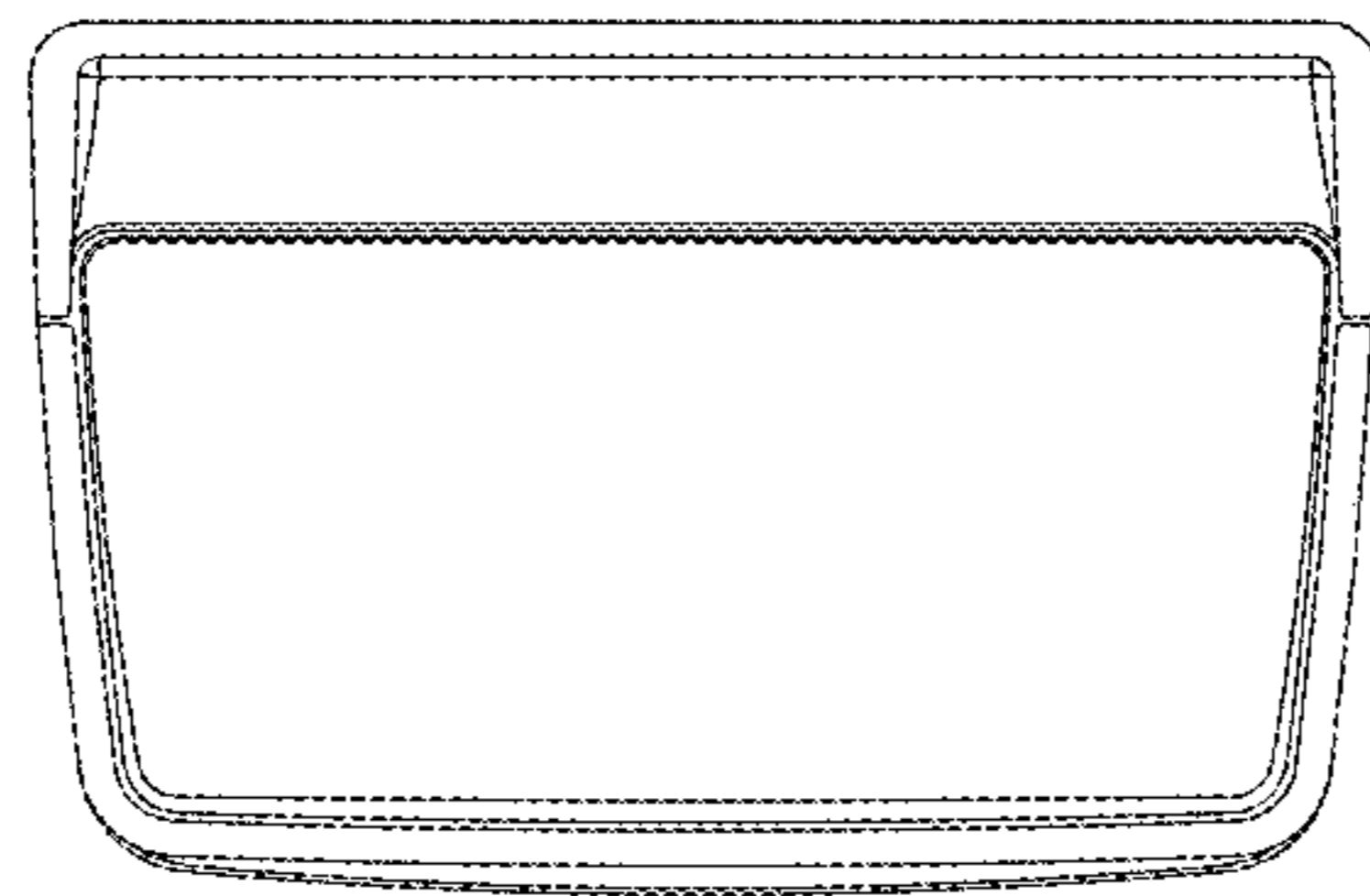


Fig. 7

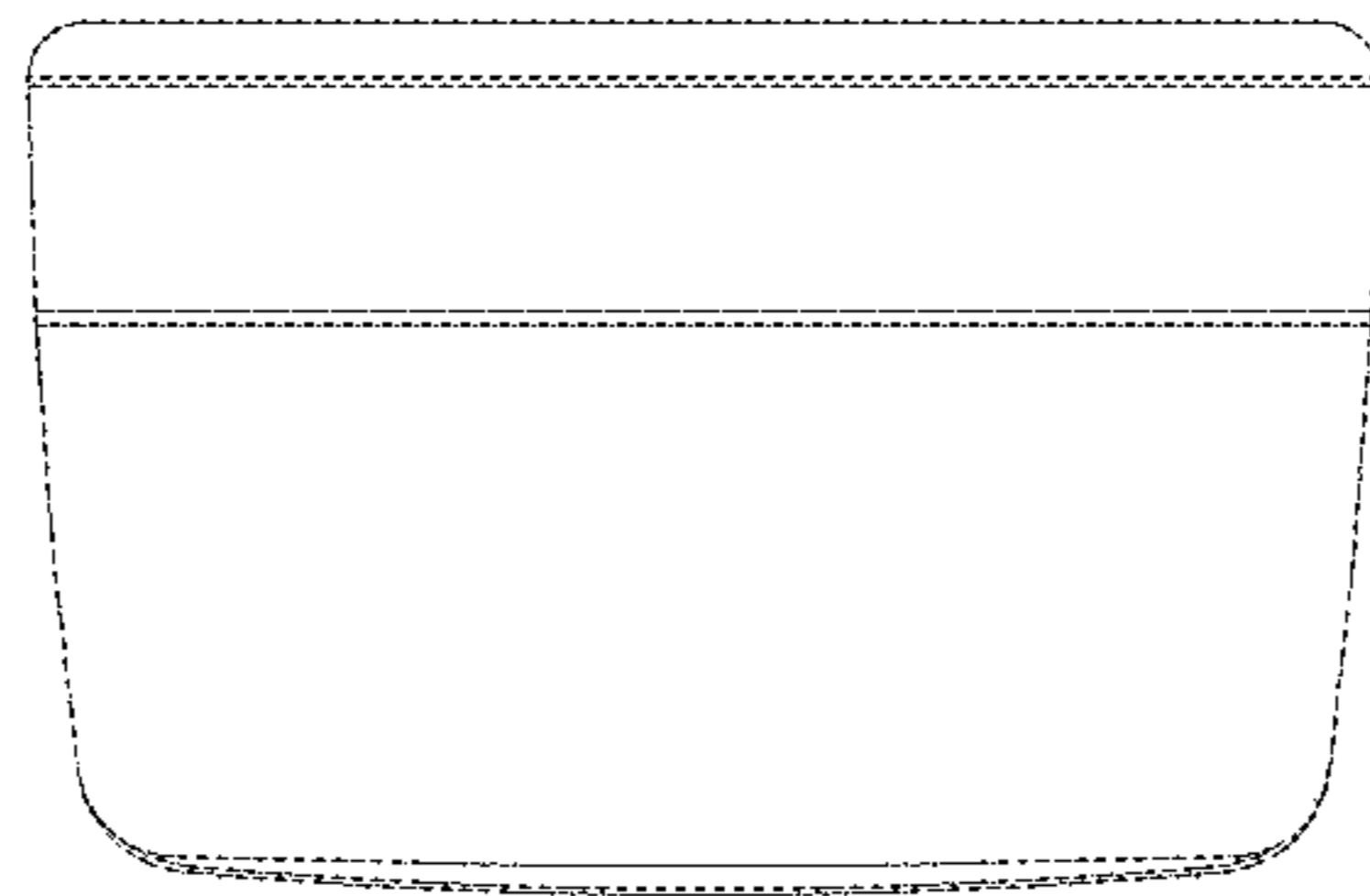


Fig. 8

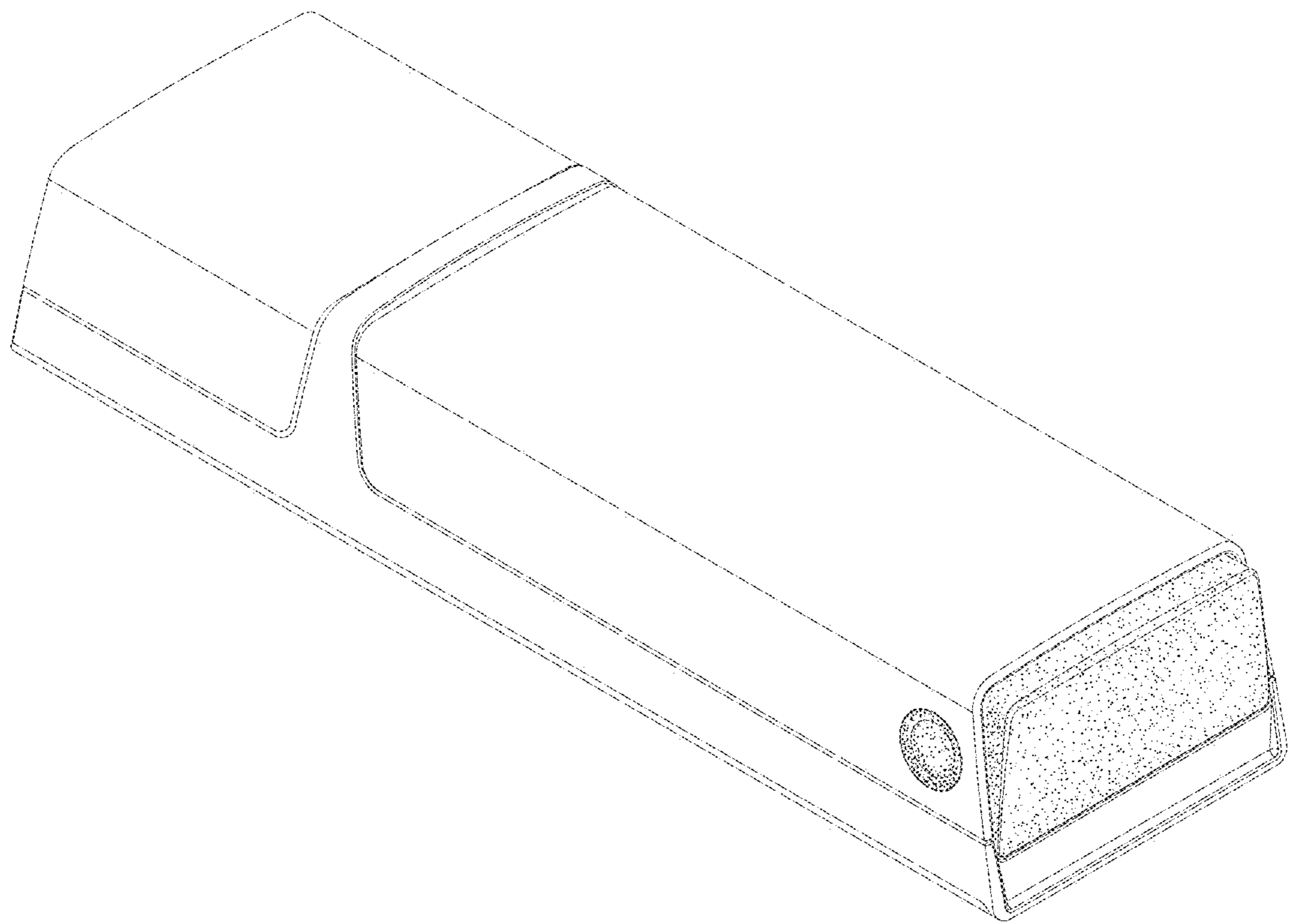


Fig. 9

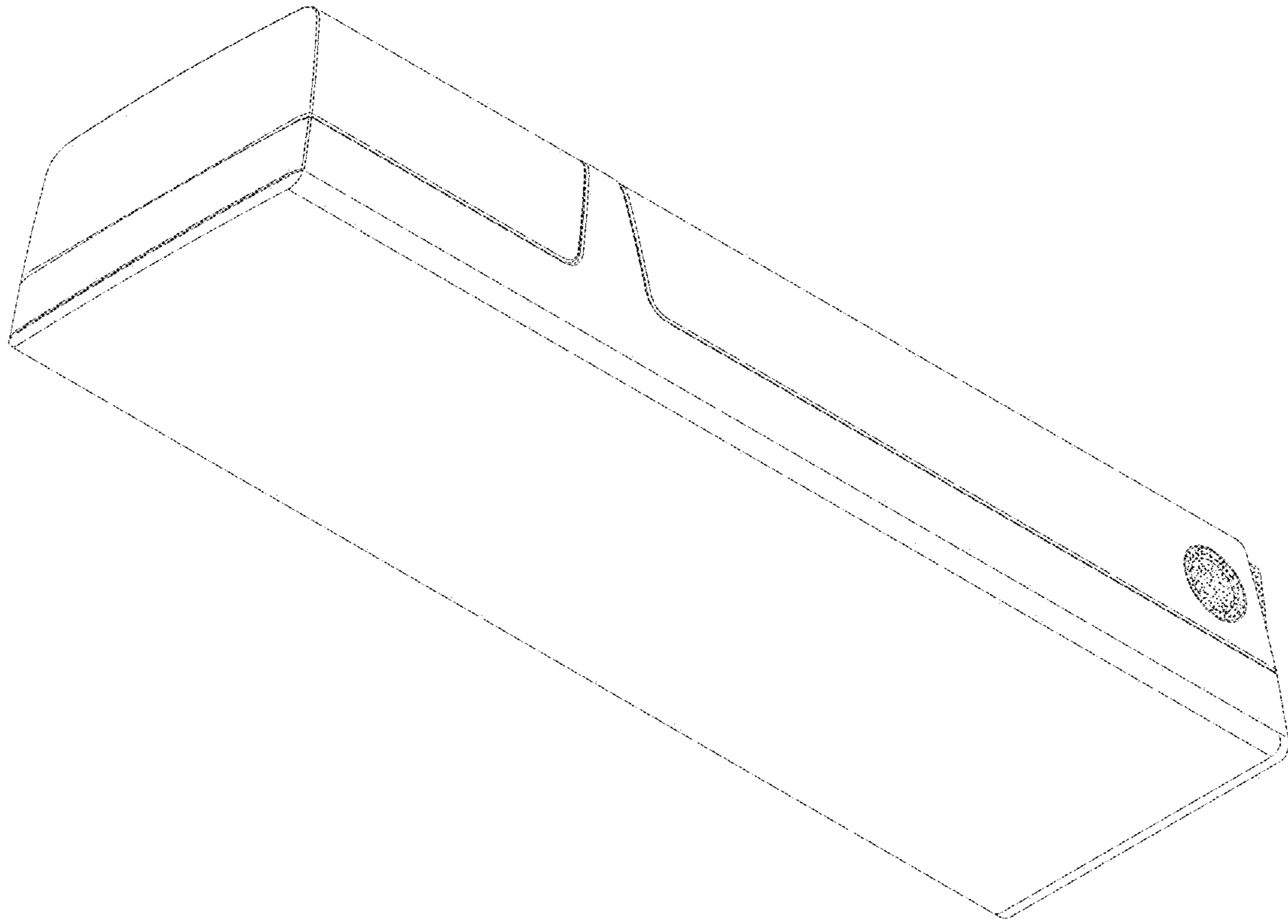


Fig. 10

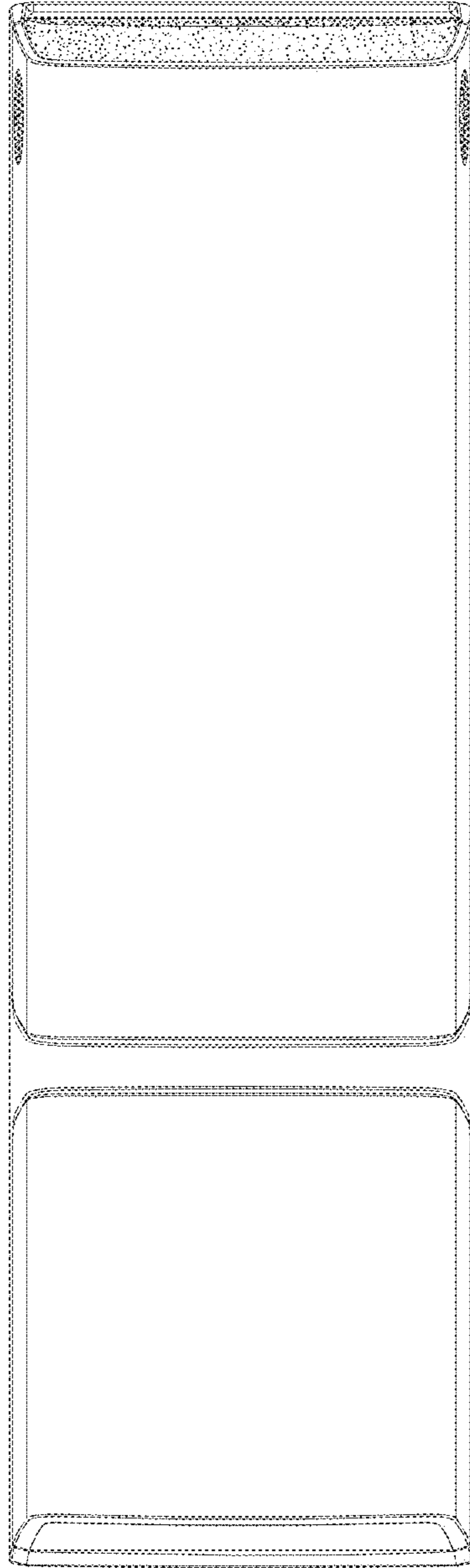


Fig. 11

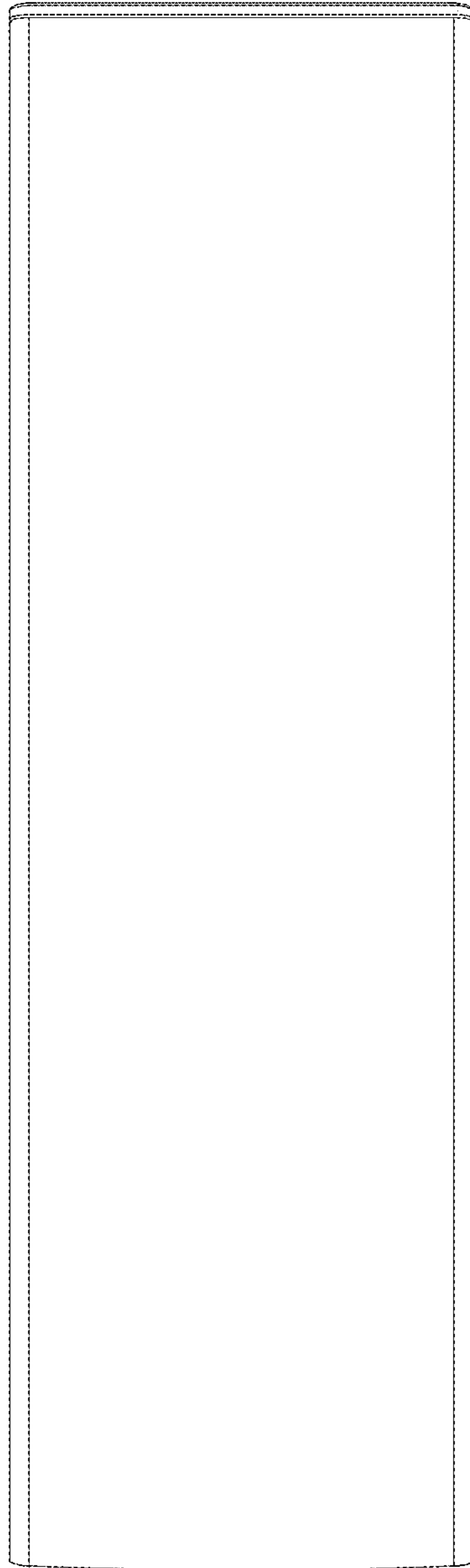


Fig. 12

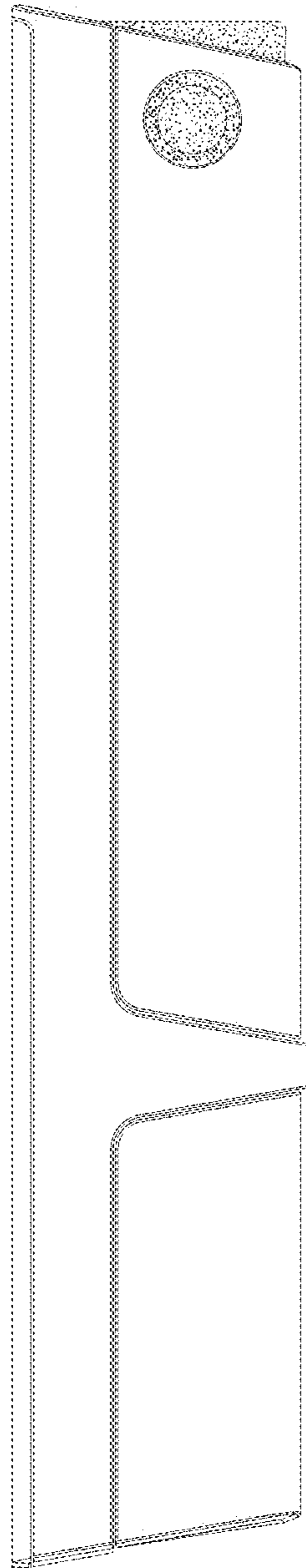


Fig. 13

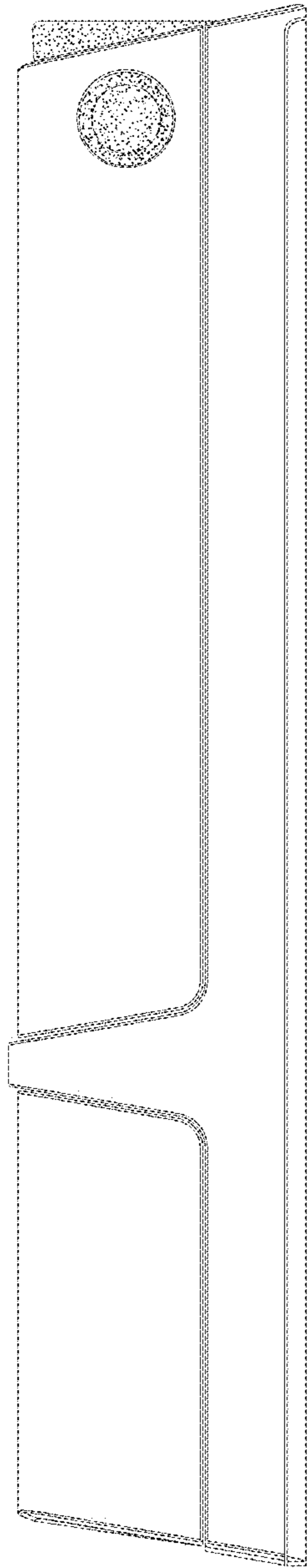


Fig. 14



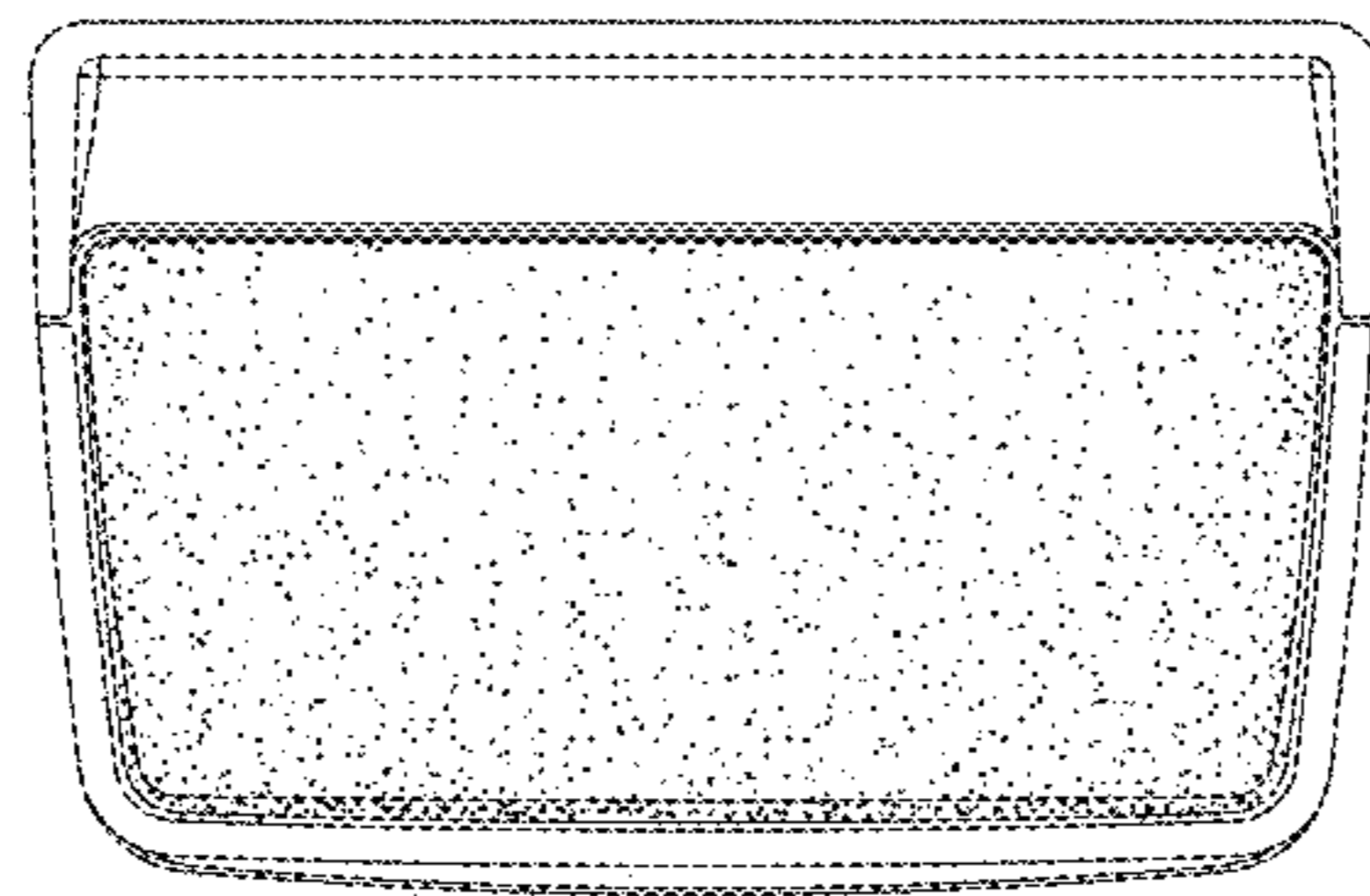


Fig. 15

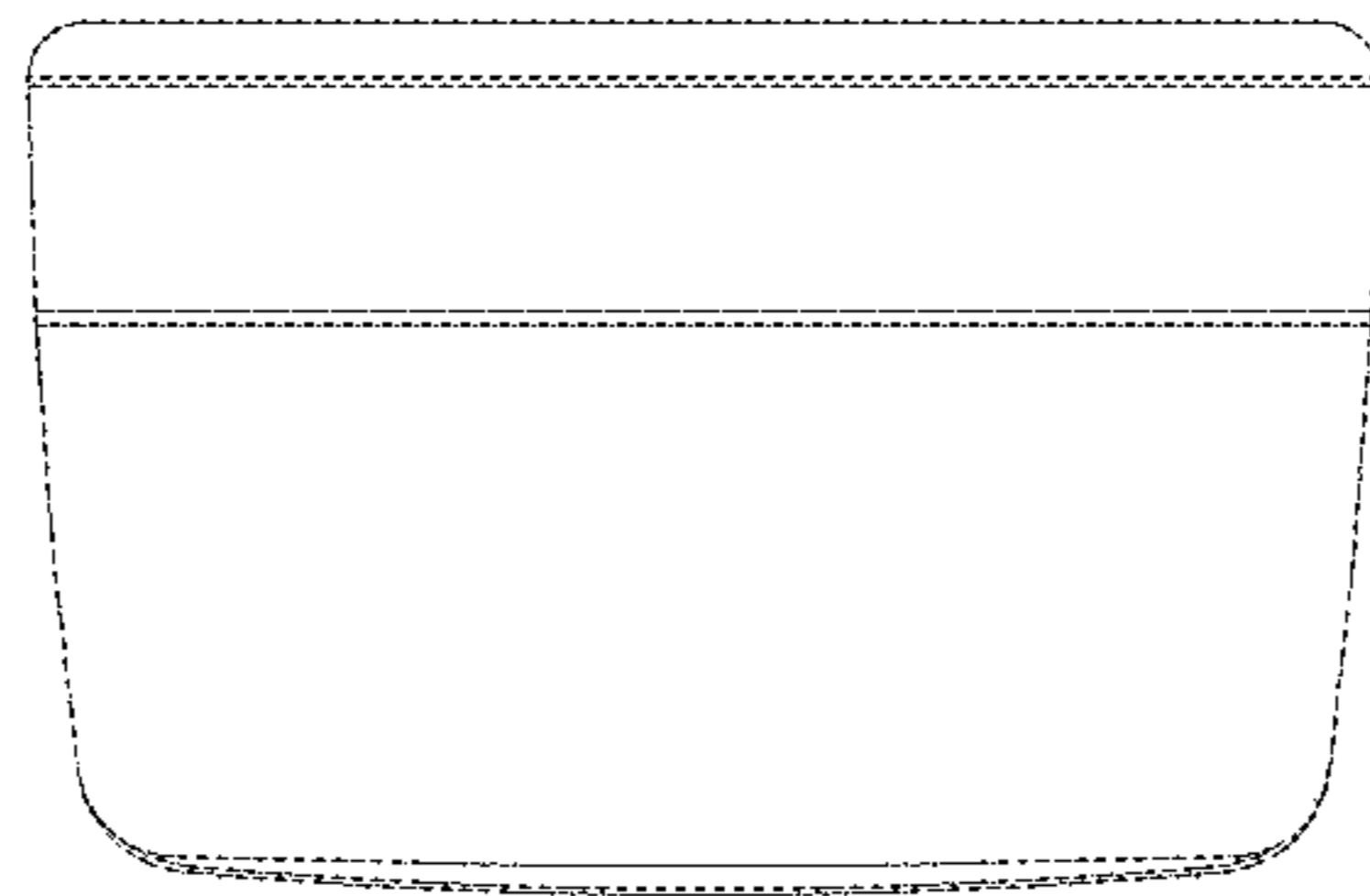


Fig. 16