



US00D913248S

(12) **United States Design Patent**
Voelzke et al.

(10) **Patent No.:** **US D913,248 S**
(45) **Date of Patent:** **** Mar. 16, 2021**

(54) **REDUCING BUSHING**
(71) Applicant: **Robroy Industries—Texas, LLC**,
Gilmer, TX (US)
(72) Inventors: **Steven A. Voelzke**, Longview, TX
(US); **Amanda Lynn Kessel**, Tyler, TX
(US); **Terry Henry**, Greenville, TX
(US)

D363,683 S * 10/1995 Spurgeon D11/88
D368,304 S * 3/1996 Morrison D23/262
D655,796 S * 3/2012 DeWitt D23/269
D710,977 S * 8/2014 Chen D23/259
D762,825 S * 8/2016 Walker D23/259
D766,716 S * 9/2016 Logel D9/434
D777,888 S * 1/2017 Vaz D23/262
D789,187 S * 6/2017 Vitou D8/382
D799,690 S * 10/2017 Kawamura D23/499
D799,939 S * 10/2017 Lowitz D8/354

* cited by examiner

(73) Assignee: **Robroy Industries Texas, LLC**,
Gilmer, TX (US)

Primary Examiner — Jennifer O King

(**) Term: **15 Years**

(74) *Attorney, Agent, or Firm* — The Webb Law Firm

(21) Appl. No.: **29/669,061**

(57) **CLAIM**

(22) Filed: **Nov. 5, 2018**

The ornamental design for a reducing bushing, as shown and described.

(51) **LOC (13) Cl.** **13-03**

(52) **U.S. Cl.**
USPC **D13/155**

DESCRIPTION

(58) **Field of Classification Search**
USPC D13/133, 150, 154, 155, 151, 156, 149,
D13/199; D8/339, 382; D11/11, 86
CPC . H01R 9/0524; H01R 9/0515; H01R 13/5219
See application file for complete search history.

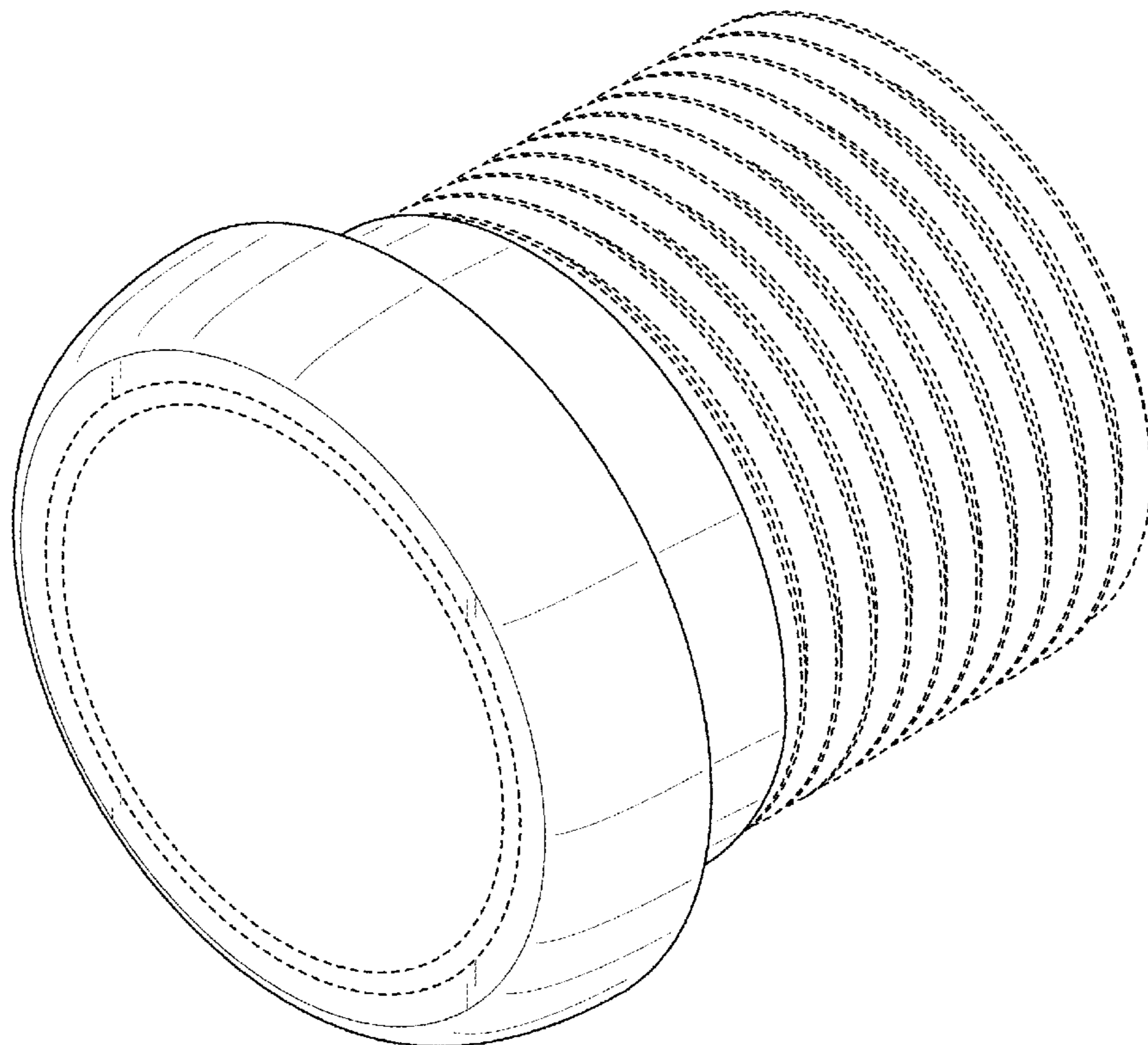
FIG. 1 is a perspective view of a reducing bushing showing our new design;
FIG. 2 is a front elevation view thereof;
FIG. 3 is a rear elevation view thereof;
FIG. 4 is a left side elevation view thereof;
FIG. 5 is a right side elevation thereof;
FIG. 6 is a top view thereof; and,
FIG. 7 is a bottom view thereof.
The portions of the reducing bushing shown in broken lines form no part of the claimed design.

(56) **References Cited**

U.S. PATENT DOCUMENTS

980,116 A * 12/1910 Mueller F16L 23/18
277/608
D312,383 S * 11/1990 Hill D13/153

1 Claim, 7 Drawing Sheets



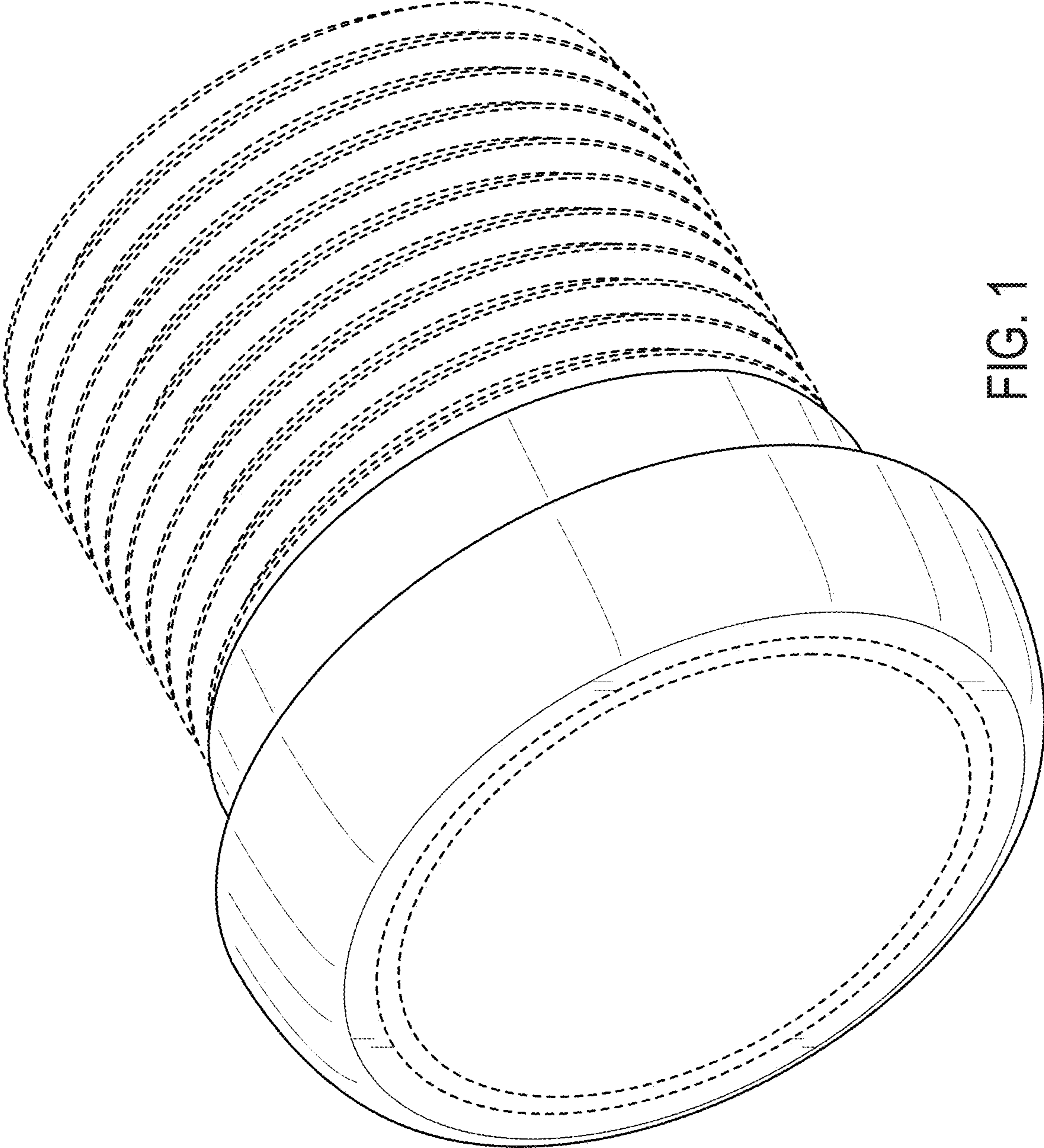


FIG. 1

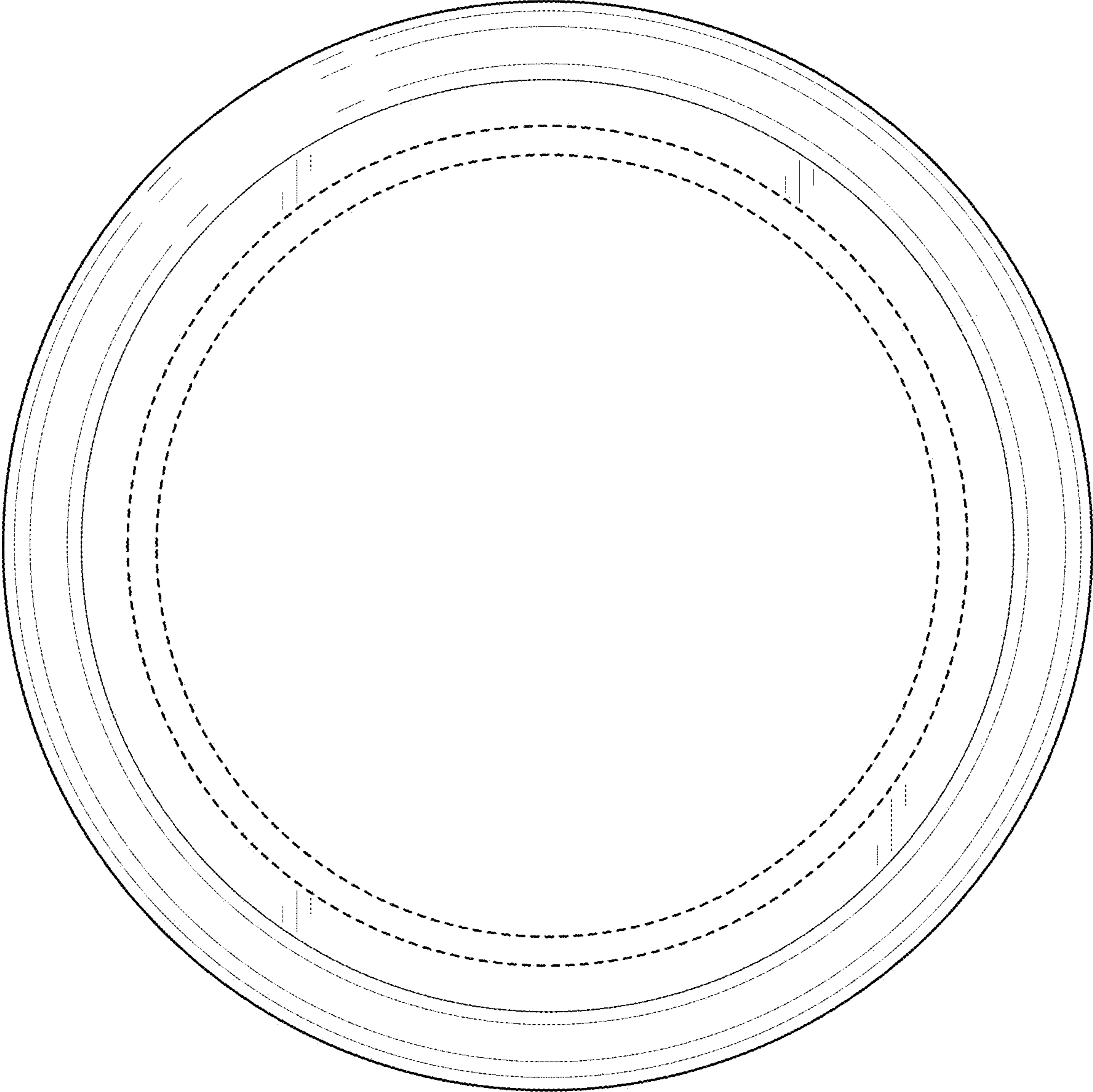


FIG. 2

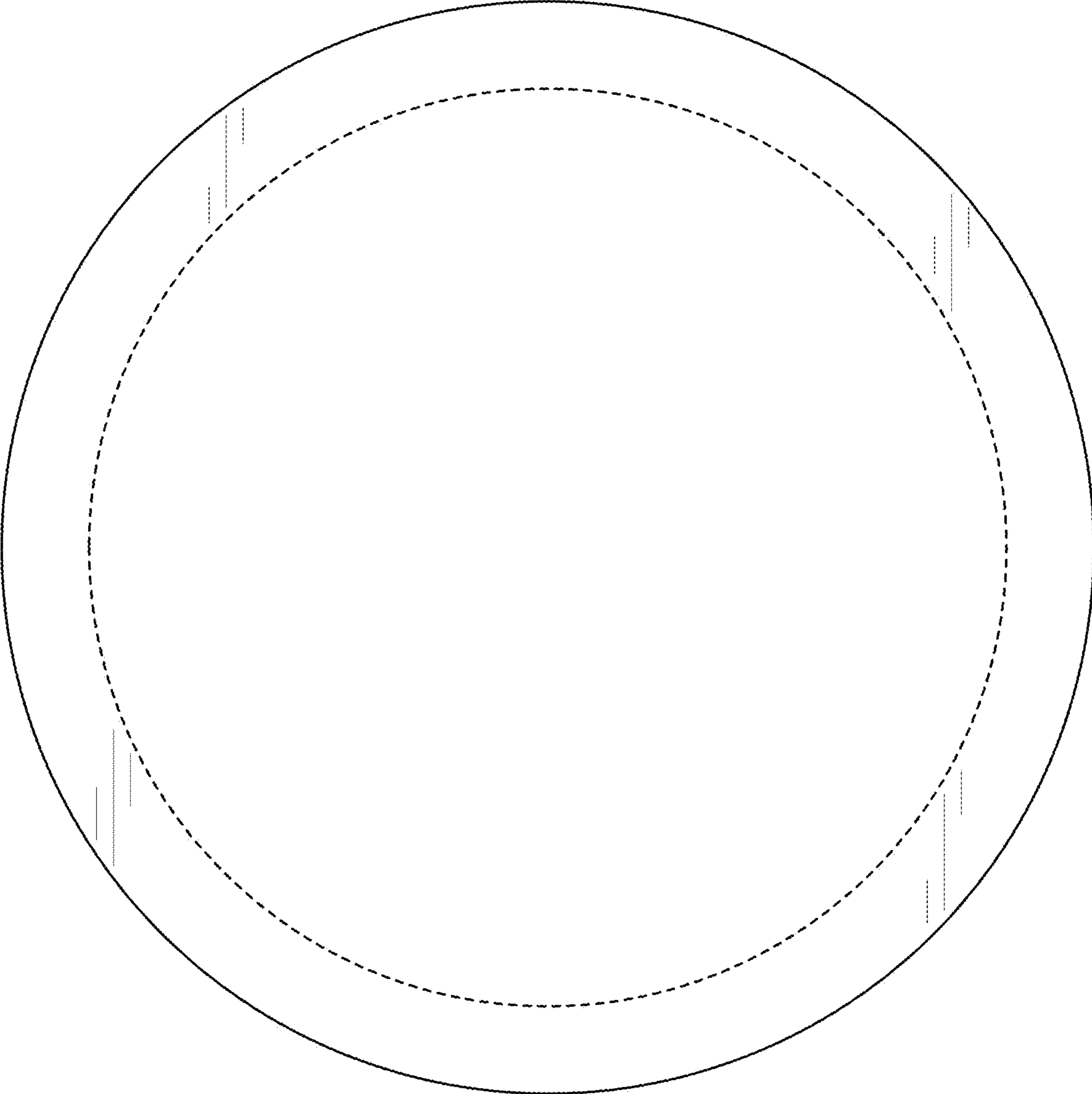


FIG. 3

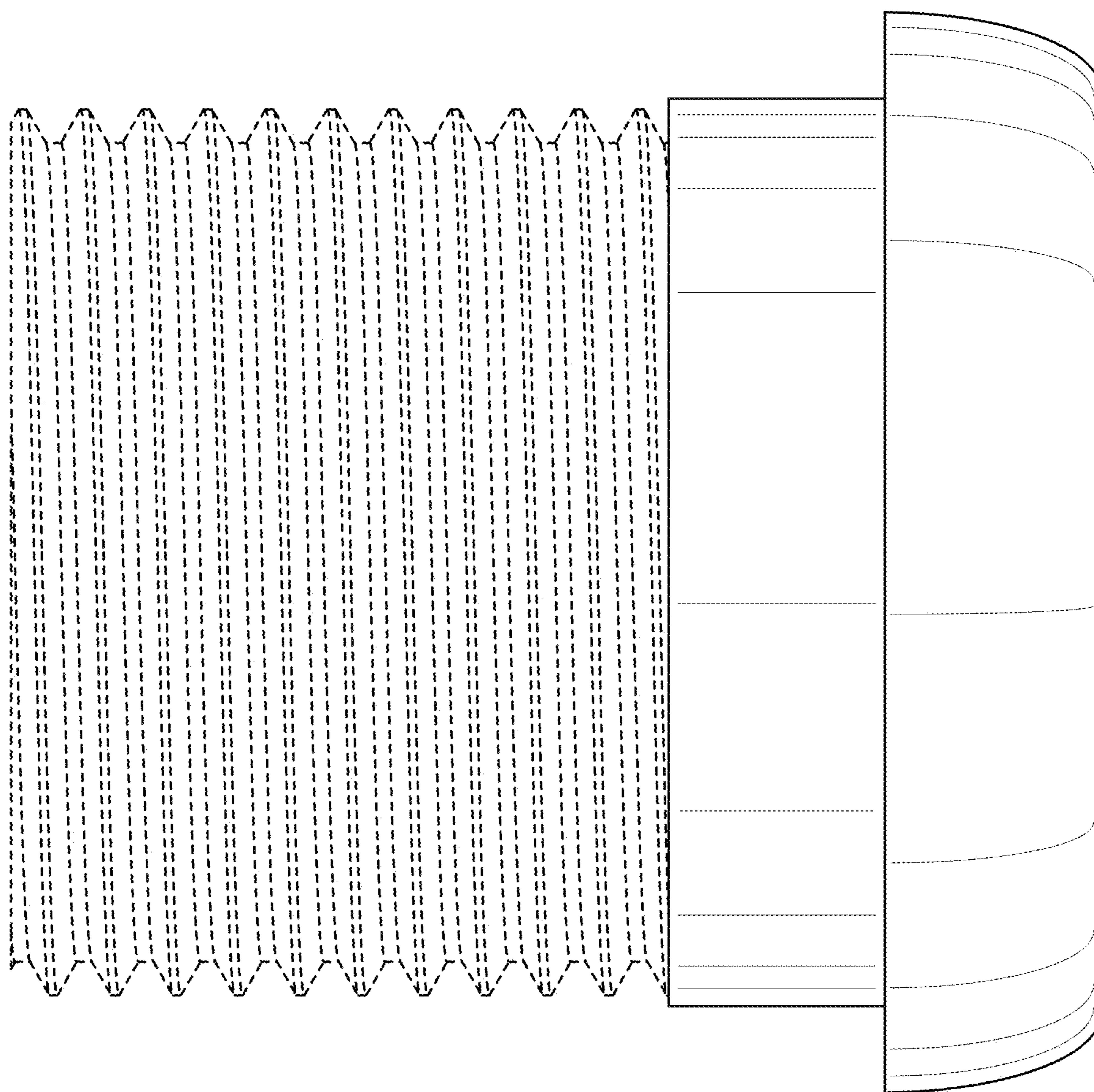


FIG. 4

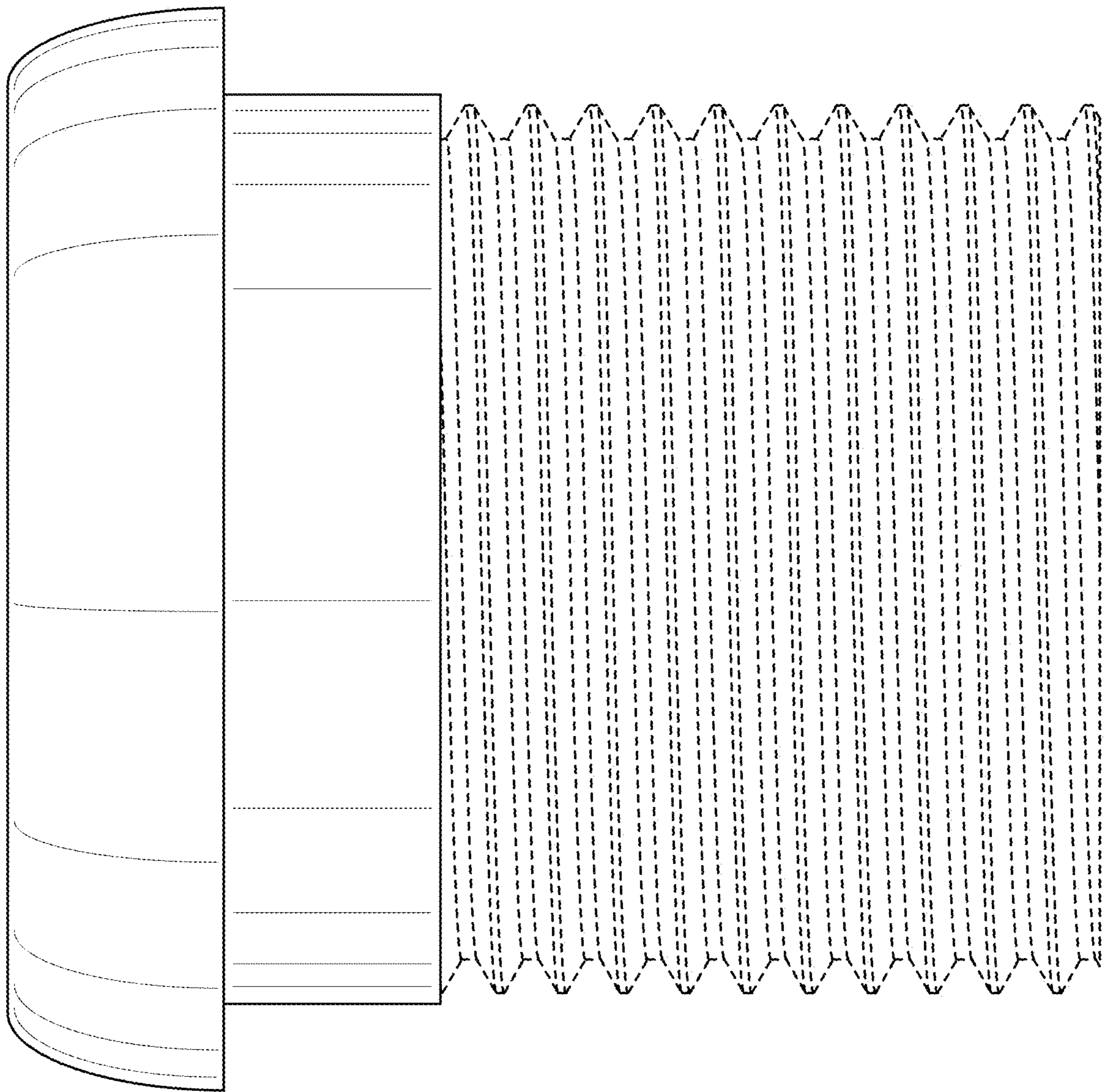


FIG. 5

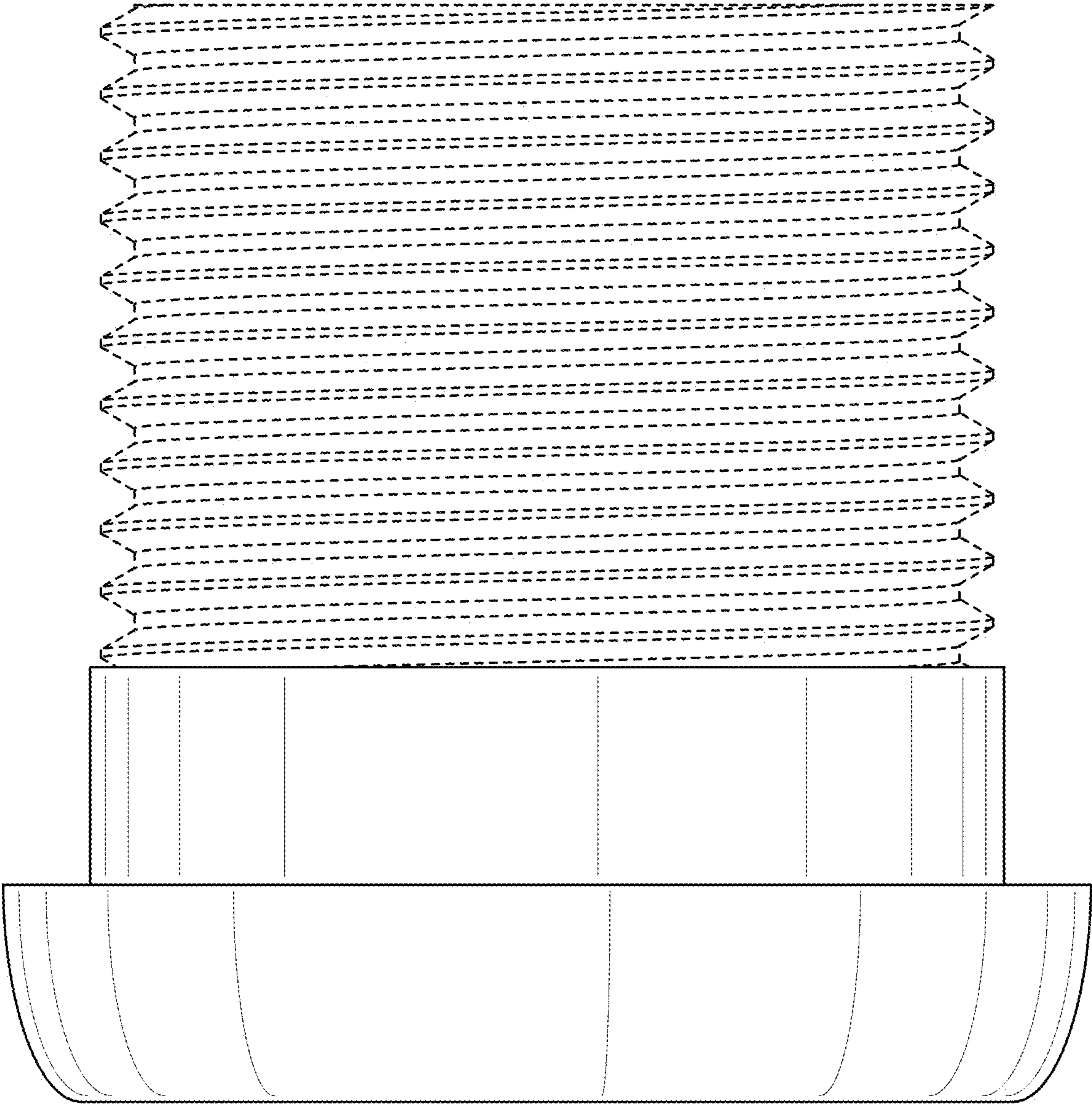


FIG. 6

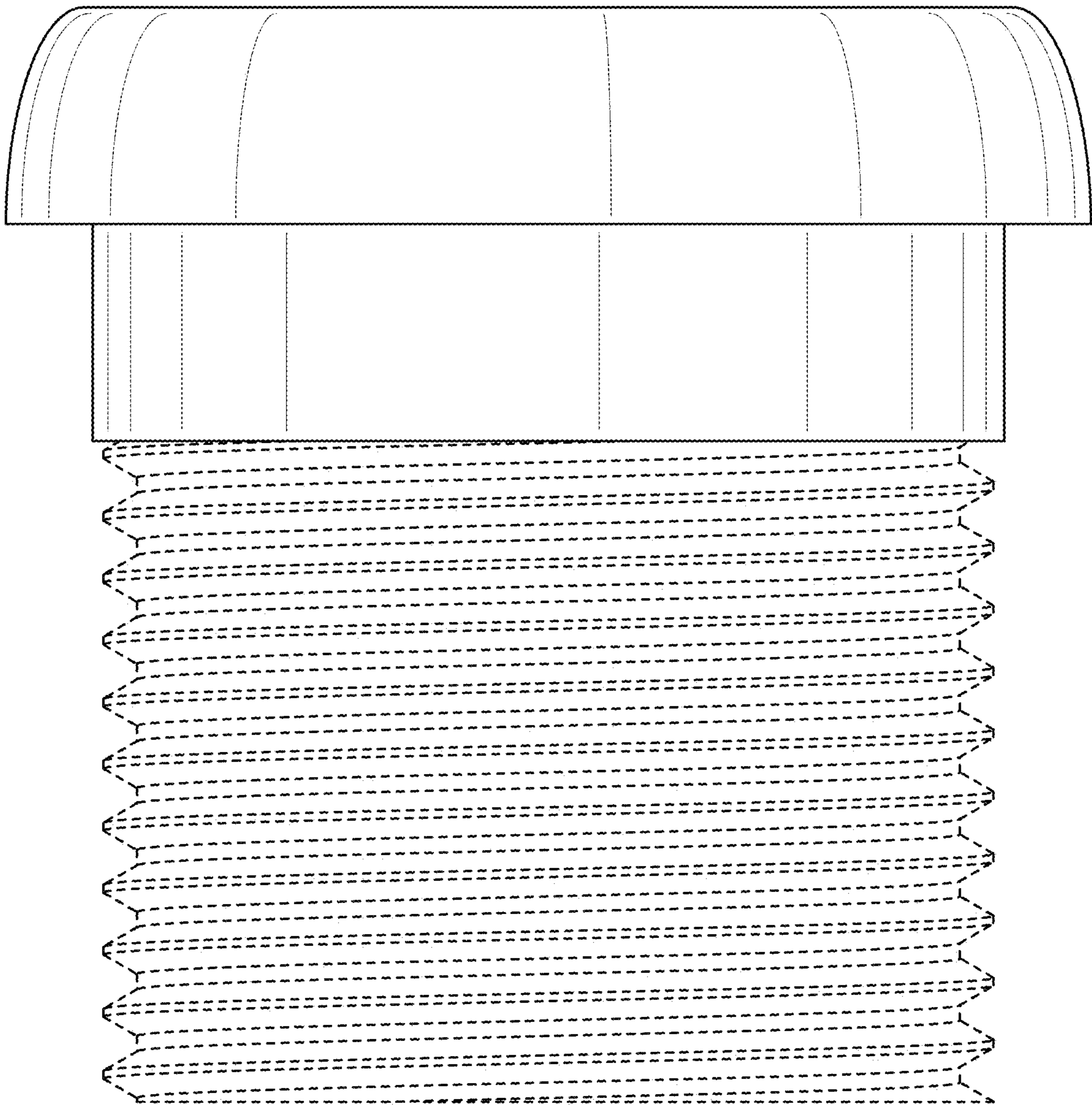


FIG. 7

UNITED STATES PATENT AND TRADEMARK OFFICE
CERTIFICATE OF CORRECTION

PATENT NO. : D913,248 S
APPLICATION NO. : 29/669061
DATED : March 16, 2021
INVENTOR(S) : Steven A. Voelzke et al.

Page 1 of 1

It is certified that error appears in the above-identified patent and that said Letters Patent is hereby corrected as shown below:

On the Title Page

Item (73), Assignee, Line 1, delete "Robroy Industries Texas, LLC" and insert -- Robroy Industries - Texas, LLC --

Signed and Sealed this
Seventeenth Day of August, 2021



Drew Hirshfeld
*Performing the Functions and Duties of the
Under Secretary of Commerce for Intellectual Property and
Director of the United States Patent and Trademark Office*