



US00D913245S

(12) **United States Design Patent**  
**Wu et al.**

(10) **Patent No.:** **US D913,245 S**  
(45) **Date of Patent:** **\*\* Mar. 16, 2021**

(54) **CAR CHARGER**

(71) Applicant: **Shenzhen Lianxunfa Technology CO., LTD.**, Shenzhen (CN)

(72) Inventors: **Mingli Wu**, Shenzhen (CN); **Ze zhi Li**, Shenzhen (CN)

(\*\*) Term: **15 Years**

(21) Appl. No.: **29/686,225**

(22) Filed: **Apr. 3, 2019**

(51) **LOC (13) Cl.** ..... **13-03**

(52) **U.S. Cl.**  
USPC ..... **D13/144**

(58) **Field of Classification Search**  
CPC ..... H01R 31/065; H01R 13/6675; H02J 7/02;  
B60N 3/14  
See application file for complete search history.

(56) **References Cited**

**U.S. PATENT DOCUMENTS**

D585,375 S \* 1/2009 Andre ..... D13/133  
D656,465 S \* 3/2012 Au ..... D13/144  
D667,377 S \* 9/2012 Chan ..... D13/144

D672,313 S \* 12/2012 Smith ..... D13/144  
D697,482 S \* 1/2014 Cheng ..... D13/144  
D711,830 S \* 8/2014 Liu ..... D13/144  
D720,296 S \* 12/2014 Charnis ..... D13/144  
D750,565 S \* 3/2016 Venida ..... D13/144  
D824,334 S \* 7/2018 Carson ..... D13/144  
D833,397 S \* 11/2018 Deng ..... D13/144  
2018/0182224 A1 \* 6/2018 Yu ..... H02J 7/0042

\* cited by examiner

*Primary Examiner* — Jennifer O King

(74) *Attorney, Agent, or Firm* — Prakash Nama; Global IP Services, PLLC

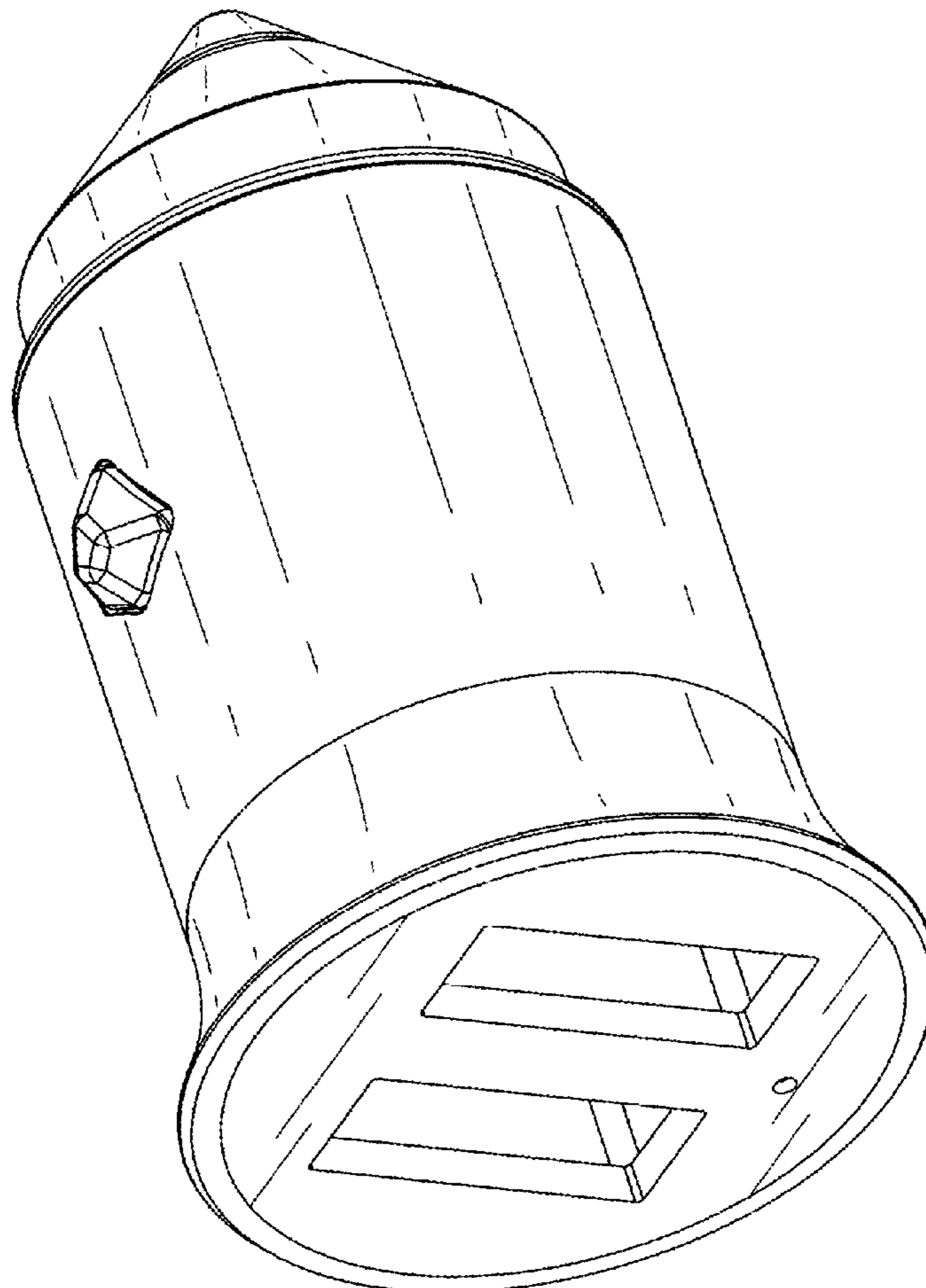
(57) **CLAIM**

The ornamental design for a car charger, as shown.

**DESCRIPTION**

FIG. 1 is a top plan view of a car charger showing our new design;  
FIG. 2 is a front elevational view thereof;  
FIG. 3 is a right side view thereof;  
FIG. 4 is a rear elevational view thereof;  
FIG. 5 is a left side view thereof;  
FIG. 6 is a bottom plan view thereof;  
FIG. 7 is a perspective view thereof; and,  
FIG. 8 is another perspective view thereof.

**1 Claim, 8 Drawing Sheets**



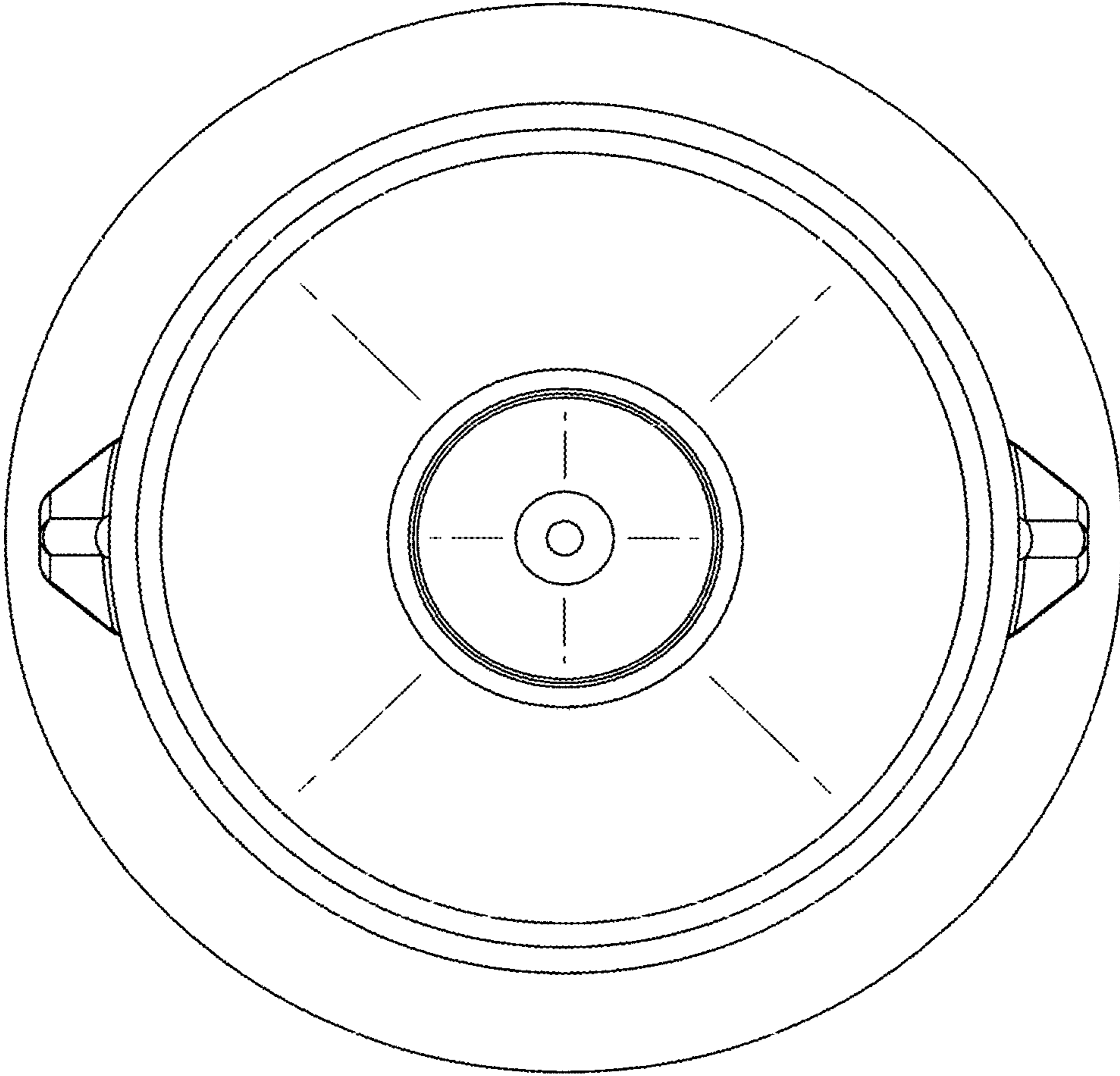


FIG. 1

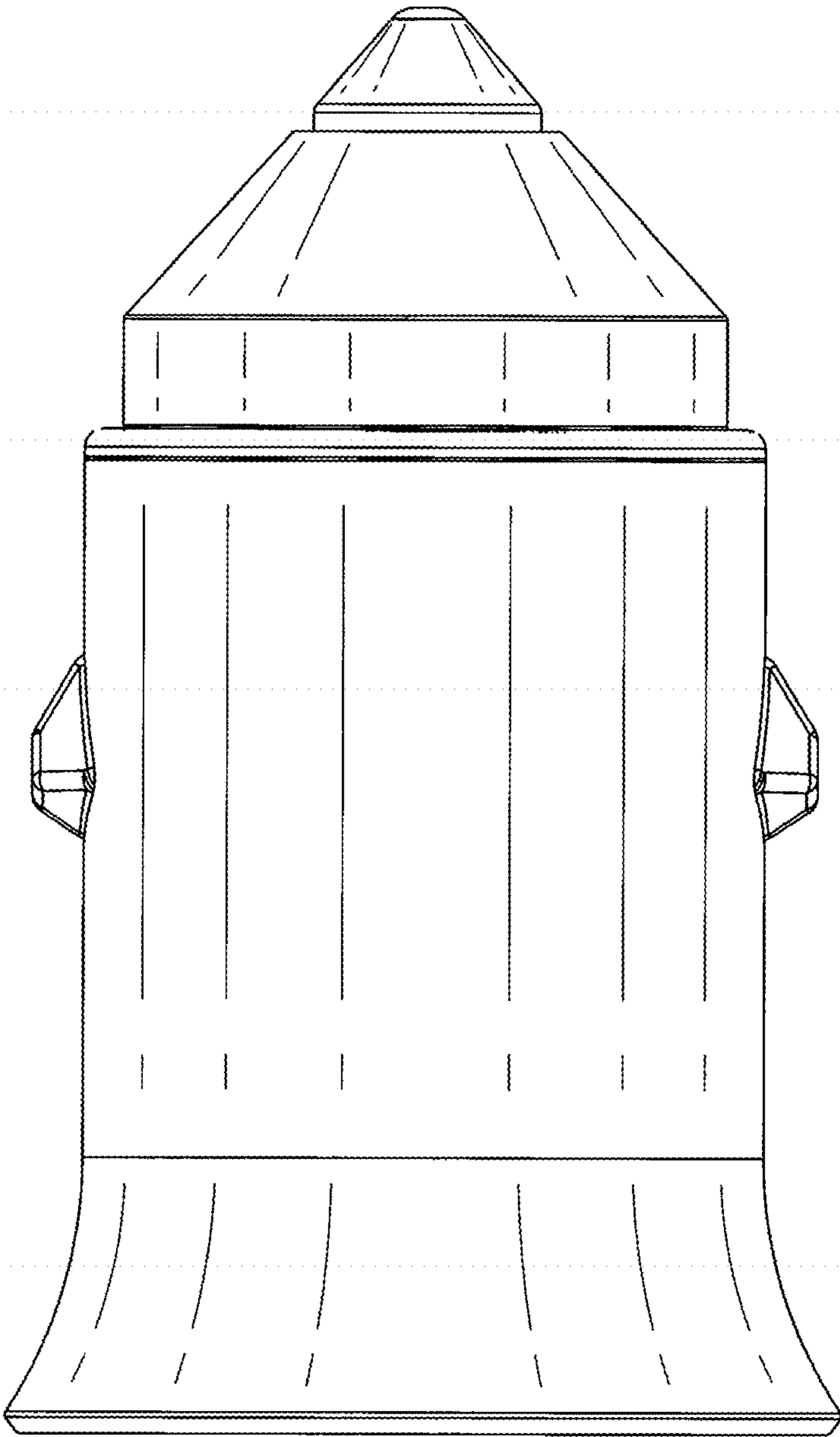


FIG. 2

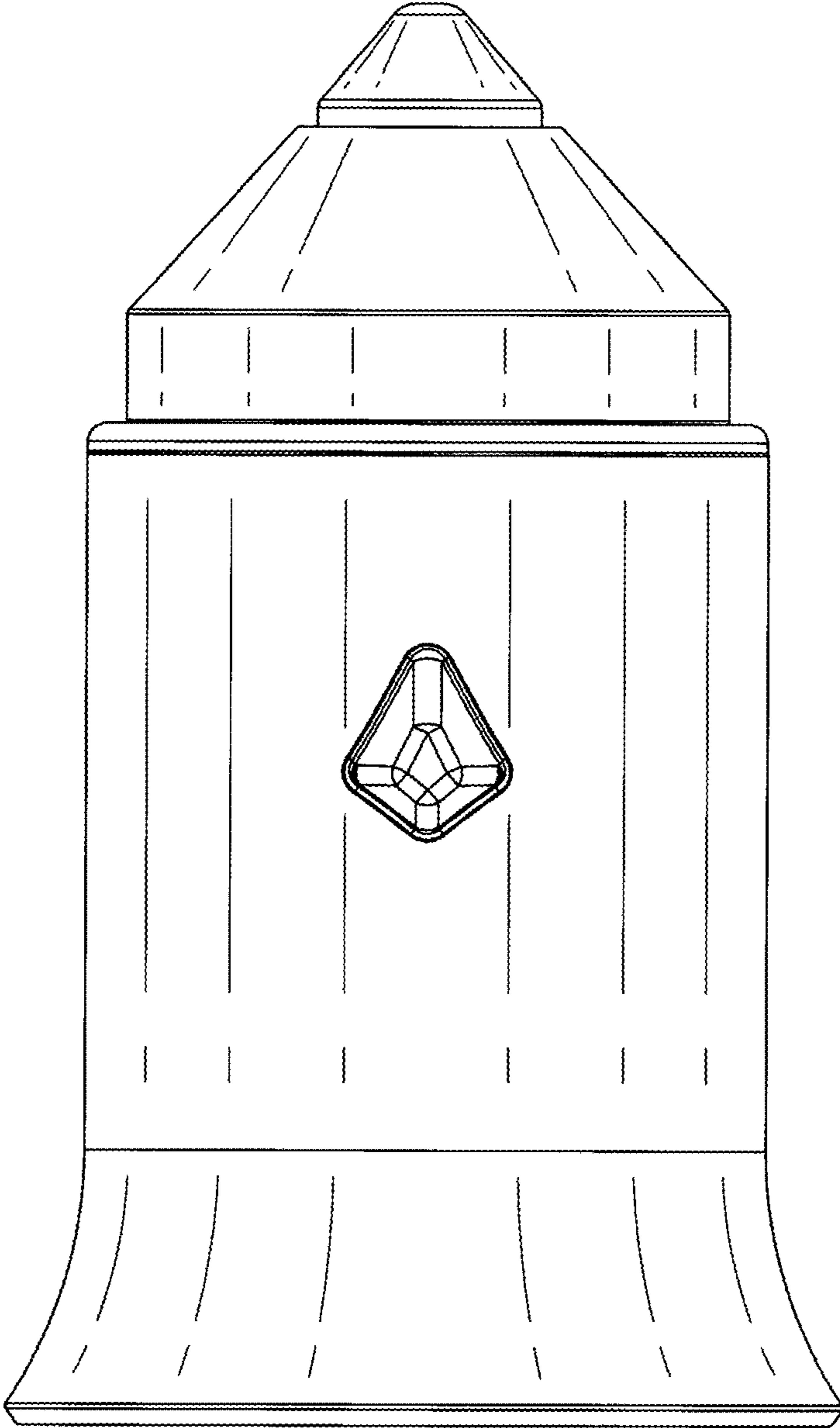


FIG. 3

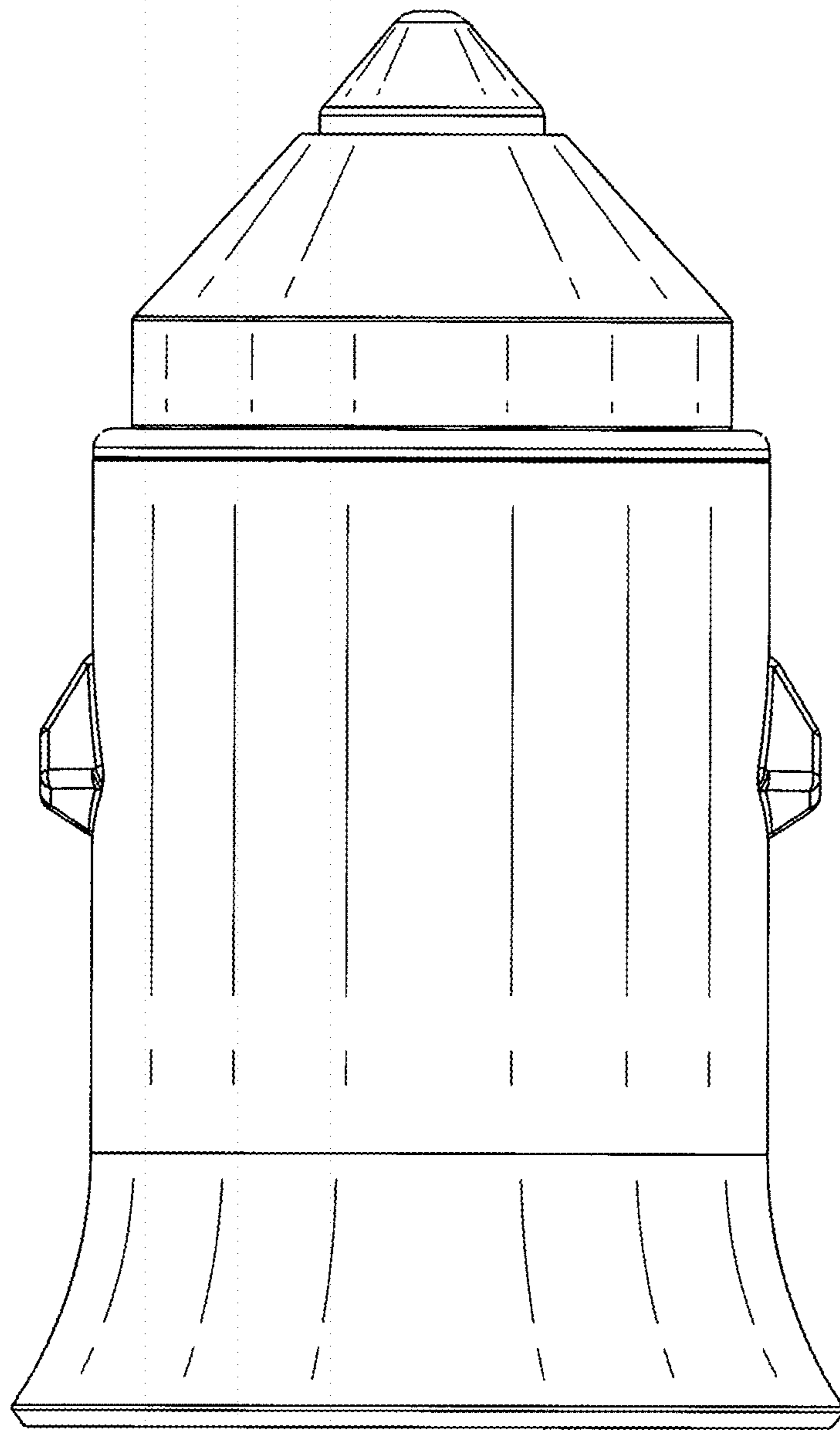


FIG. 4

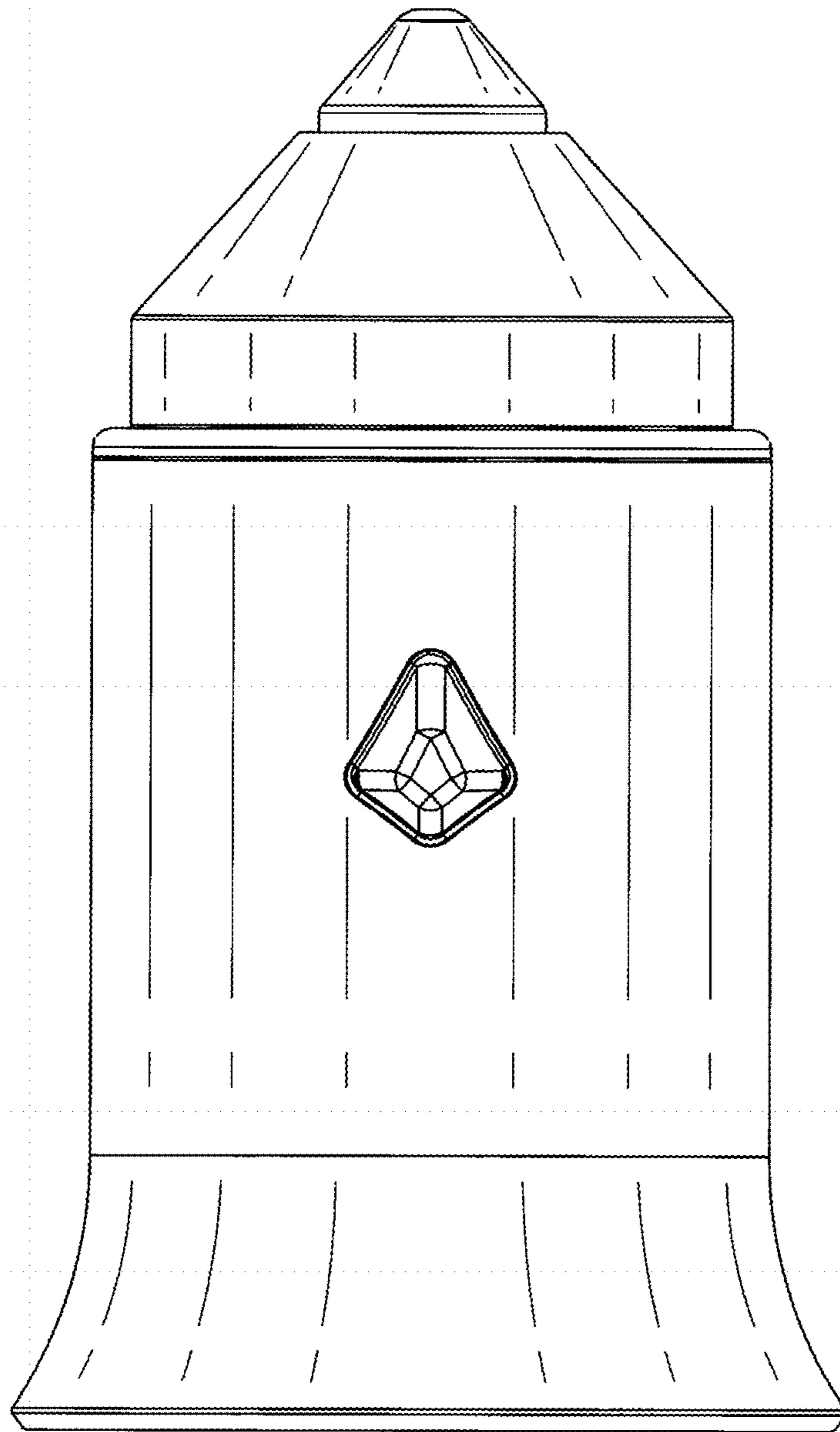


FIG. 5

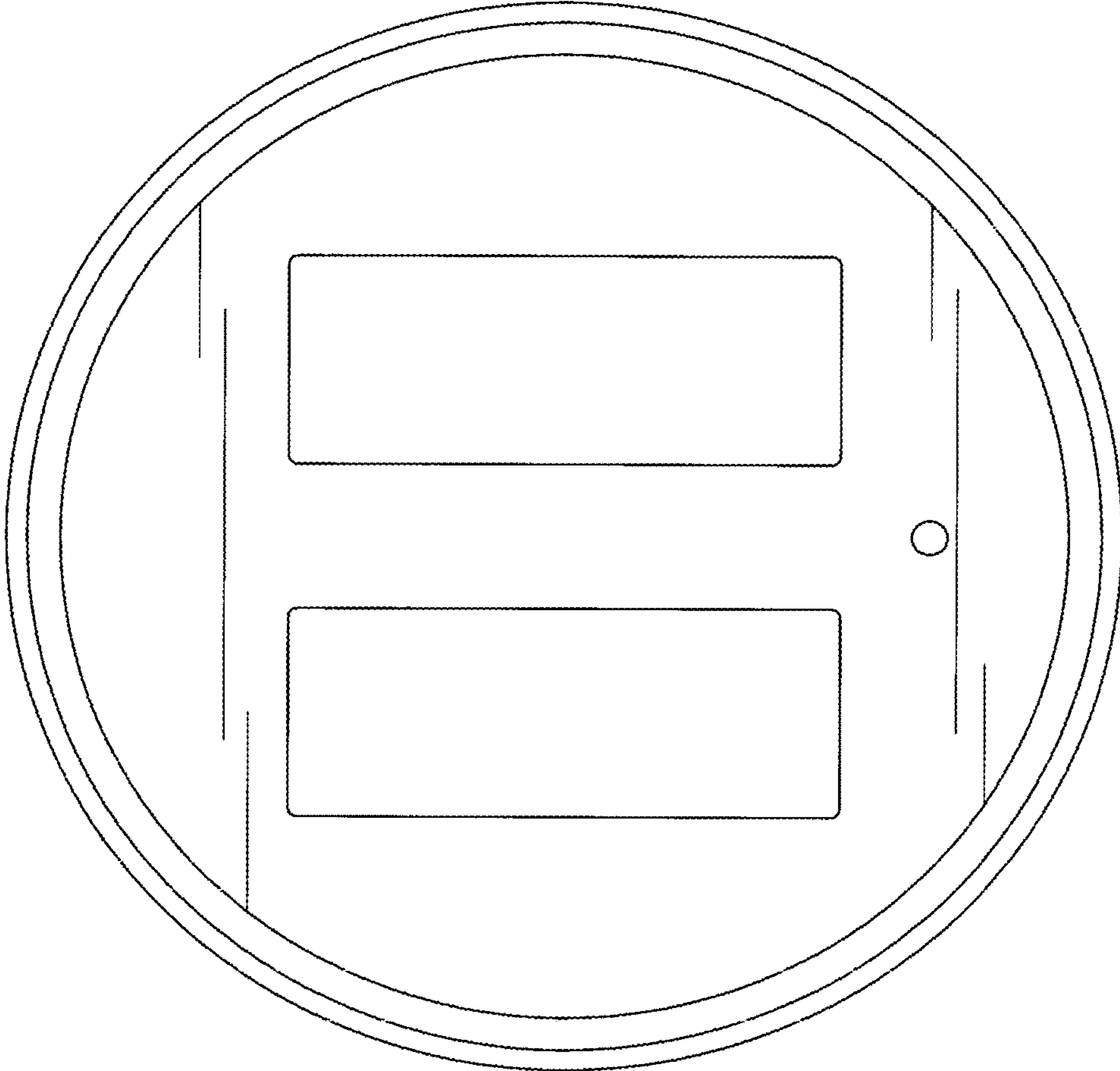


FIG. 6

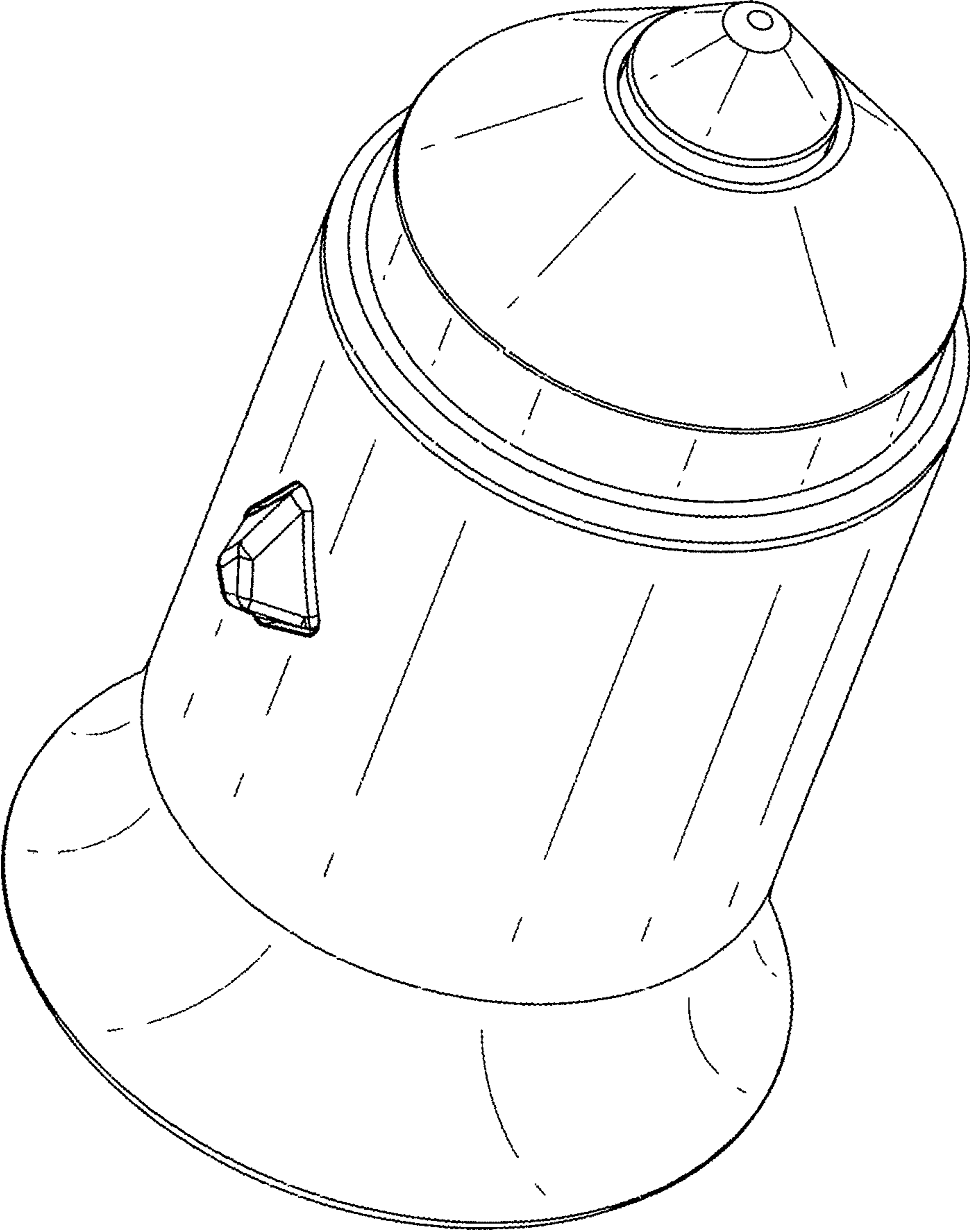


FIG. 7



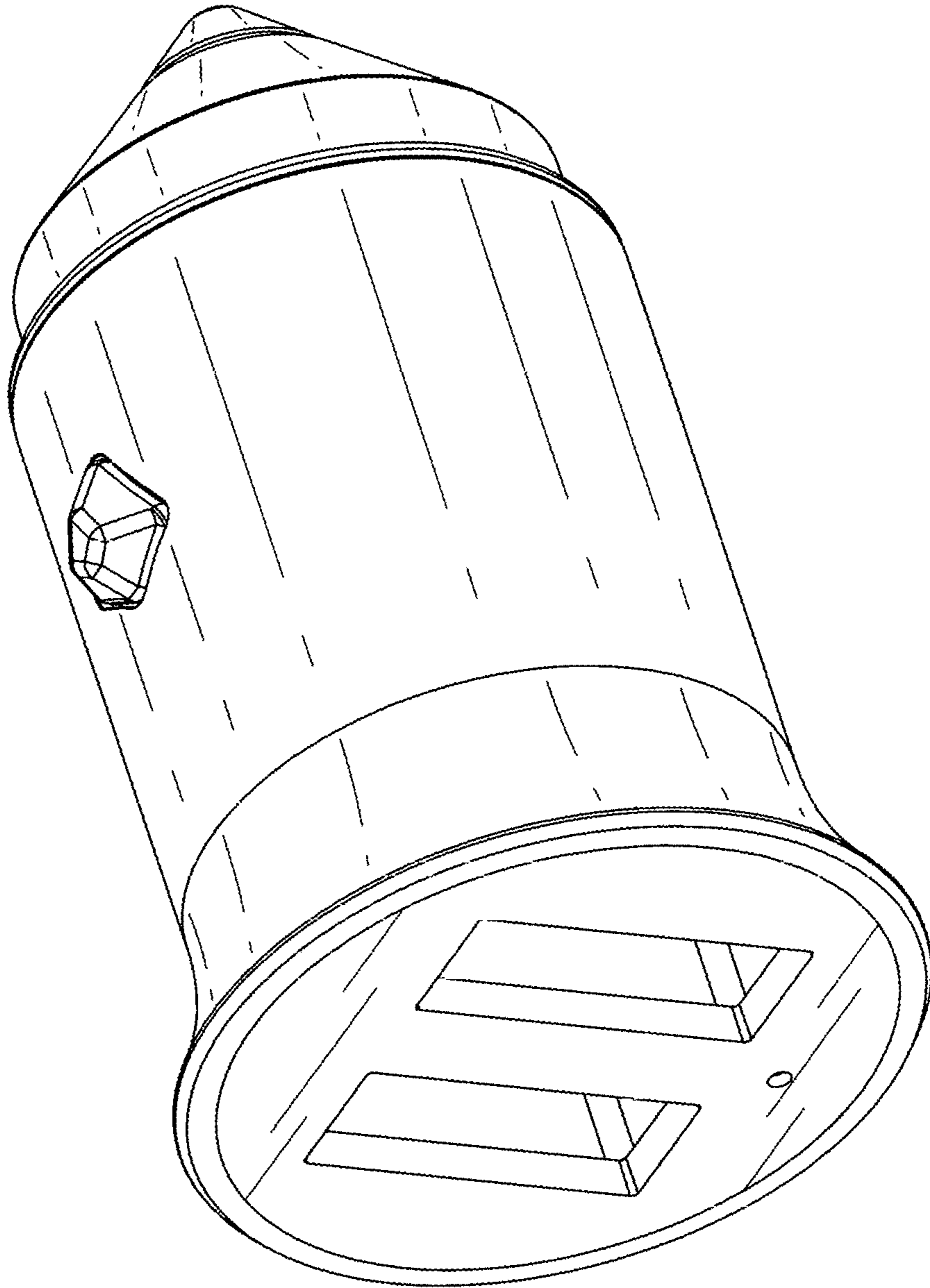


FIG. 8