



US00D913243S

(12) **United States Design Patent**  
**Chan et al.**

(10) **Patent No.:** **US D913,243 S**  
(45) **Date of Patent:** **\*\* Mar. 16, 2021**

(54) **POWER DISTRIBUTION UNIT**

(71) Applicant: **SCHNEIDER ELECTRIC IT CORPORATION**, West Kingston, RI (US)

(72) Inventors: **Ming Che Chan**, Taoyuan (TW);  
**Chung-Hui Chen**, New Taipei (TW);  
**George Hsia**, Taipei (TW)

(73) Assignee: **SCHNEIDER ELECTRIC IT CORPORATION**, Foxboro, MA (US)

(\*\*) Term: **15 Years**

(21) Appl. No.: **29/666,190**

(22) Filed: **Oct. 10, 2018**

(51) **LOC (13) Cl.** ..... **13-03**

(52) **U.S. Cl.**  
USPC ..... **D13/137.2; D13/137.3; D13/137.4**

(58) **Field of Classification Search**

USPC ..... D13/103, 107, 108, 110, 133,  
D13/137.1-137.4, 138.1-138.2,  
D13/139.1-139.8, 146, 147, 151-156,  
D13/173, 177, 199, 137.2-137.4;  
D14/432, 433, 435.1, 250; D23/231, 232;  
D15/7-9; D8/350, 353-356  
CPC ..... H01R 11/00; H01R 9/00; H01R 13/00;  
H01R 13/04; H01R 13/10; H01R  
13/6666; H01R 13/6675; H01R 25/00;  
H01R 25/006; H01H 2207/00; H01H  
2207/022; Y02E 60/12; Y02E 60/122;  
Y02E 60/124; Y02E 60/50; H01M 2/02;  
H01M 2/022; H01M 2/0202; H01M  
2/0207; H01M 2/0212; H01M 2/1061;  
H01M 2/1022; H01M 2/1055; H01M  
2/1066; H01M 2/105; H01M 2/204; H02J  
7/00; H02J 7/0003; H02J 7/0011; H02J  
7/0013; H02J 7/0054; H02J 7/0055; H02J  
7/0057; Y02T 10/7005; Y02T 10/705;  
Y02T 10/7088; B60L 11/1809; B60L  
11/1861

See application file for complete search history.

(56) **References Cited**

U.S. PATENT DOCUMENTS

|              |         |        |       |           |
|--------------|---------|--------|-------|-----------|
| D740,228 S * | 10/2015 | Page   | ..... | D13/139.4 |
| D770,976 S * | 11/2016 | Xu     | ..... | D13/110   |
| D775,081 S * | 12/2016 | Xu     | ..... | D13/139.6 |
| D796,445 S * | 9/2017  | Xu     | ..... | D13/139.6 |
| D798,812 S * | 10/2017 | Xu     | ..... | D13/110   |
| D798,818 S * | 10/2017 | Kondas | ..... | D13/139.4 |
| D799,428 S * | 10/2017 | Kondas | ..... | D13/139.4 |
| D801,276 S * | 10/2017 | Lin    | ..... | D13/139.7 |
| D804,419 S * | 12/2017 | Hayes  | ..... | D13/139.4 |
| D816,037 S * | 4/2018  | Byrne  | ..... | D13/137.2 |
| D816,039 S * | 4/2018  | Lu     | ..... | D13/139.8 |
| D828,304 S * | 9/2018  | Chen   | ..... | D13/139.8 |
| D832,215 S * | 10/2018 | Xu     | ..... | D13/137.2 |
| D835,580 S * | 12/2018 | Xiong  | ..... | D13/110   |
| D837,736 S * | 1/2019  | Liao   | ..... | D13/139.7 |

(Continued)

*Primary Examiner* — Christy Nemeth

(74) *Attorney, Agent, or Firm* — Lando & Anastasi, LLP

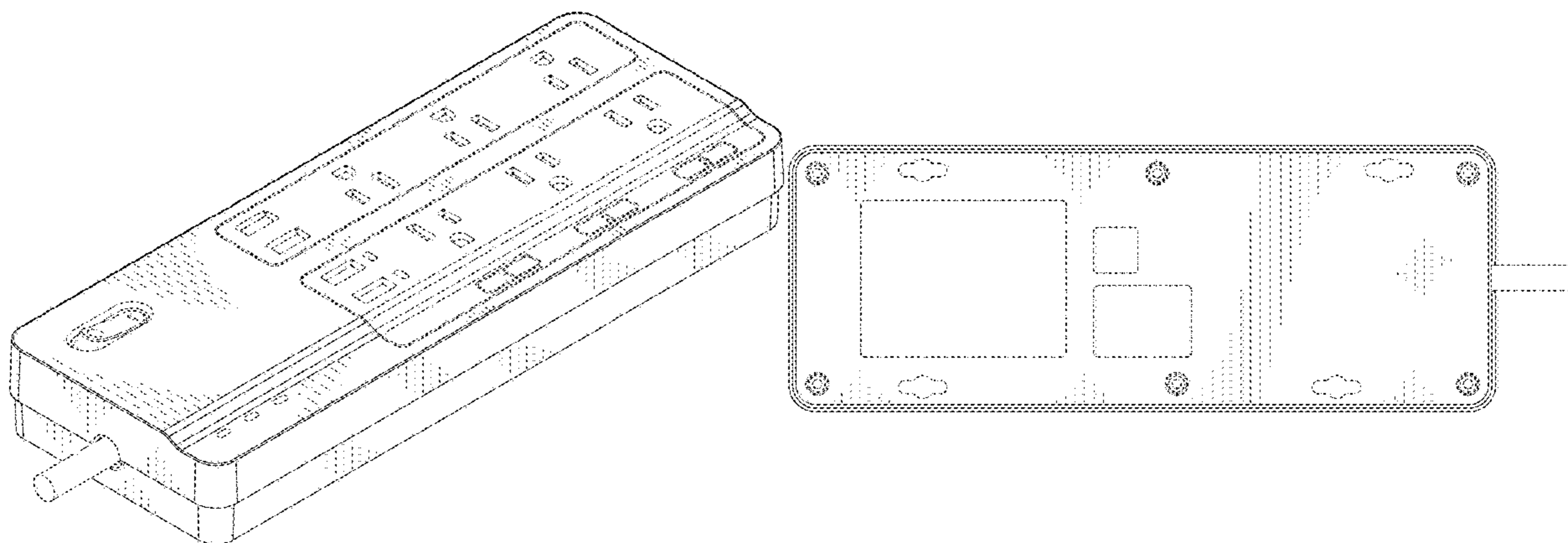
(57) **CLAIM**

The ornamental design for a power distribution unit, as shown and described.

**DESCRIPTION**

FIG. 1 is a perspective view of a power distribution unit of our design;  
FIG. 2 is a top plan view thereof;  
FIG. 3 is a bottom plan view thereof;  
FIG. 4 is a front elevational view thereof;  
FIG. 5 is a back elevational view thereof;  
FIG. 6 is a left side elevational view thereof; and,  
FIG. 7 is a right side elevational view thereof.  
The broken lines in the drawings are for the purpose of illustrating portions of the power distribution unit that form no part of the claimed design.

**1 Claim, 7 Drawing Sheets**



(56)

**References Cited**

U.S. PATENT DOCUMENTS

|              |         |                |                        |
|--------------|---------|----------------|------------------------|
| D843,316 S * | 3/2019  | Zhou .....     | D13/108                |
| D848,371 S * | 5/2019  | Byrne .....    | D13/139.4              |
| D849,686 S * | 5/2019  | Byrne .....    | D13/137.2              |
| D852,749 S * | 7/2019  | Wang .....     | D13/139.8              |
| D856,937 S * | 8/2019  | Rupert .....   | D13/139.4              |
| D864,864 S * | 10/2019 | Xu .....       | D13/110                |
| D864,874 S * | 10/2019 | Xu .....       | D13/139.8              |
| D867,998 S * | 11/2019 | Gorretta ..... | D13/139.8              |
| D869,397 S * | 12/2019 | Hayes .....    | A47B 9/00<br>D13/137.2 |
| D871,333 S * | 12/2019 | Xiong .....    | D13/110                |
| D871,344 S * | 12/2019 | Lyu .....      | D13/139.8              |
| D872,021 S * | 1/2020  | Xu .....       | D13/110                |
| D872,027 S * | 1/2020  | Lien .....     | D13/139.6              |
| D899,375 S * | 10/2020 | Bao .....      | D13/139.8              |
| D900,033 S * | 10/2020 | Chen .....     | D13/137.2              |

\* cited by examiner

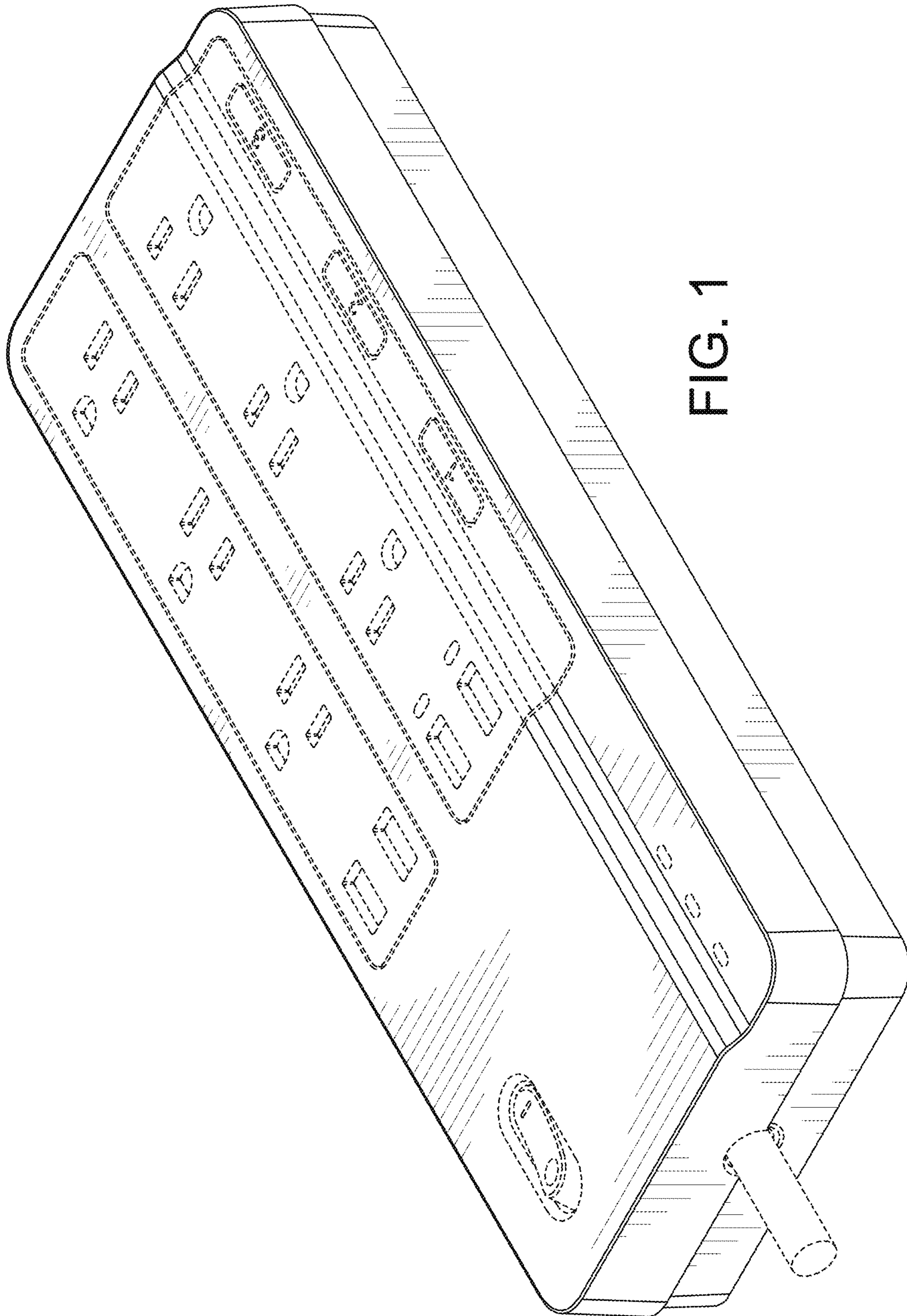


FIG. 1



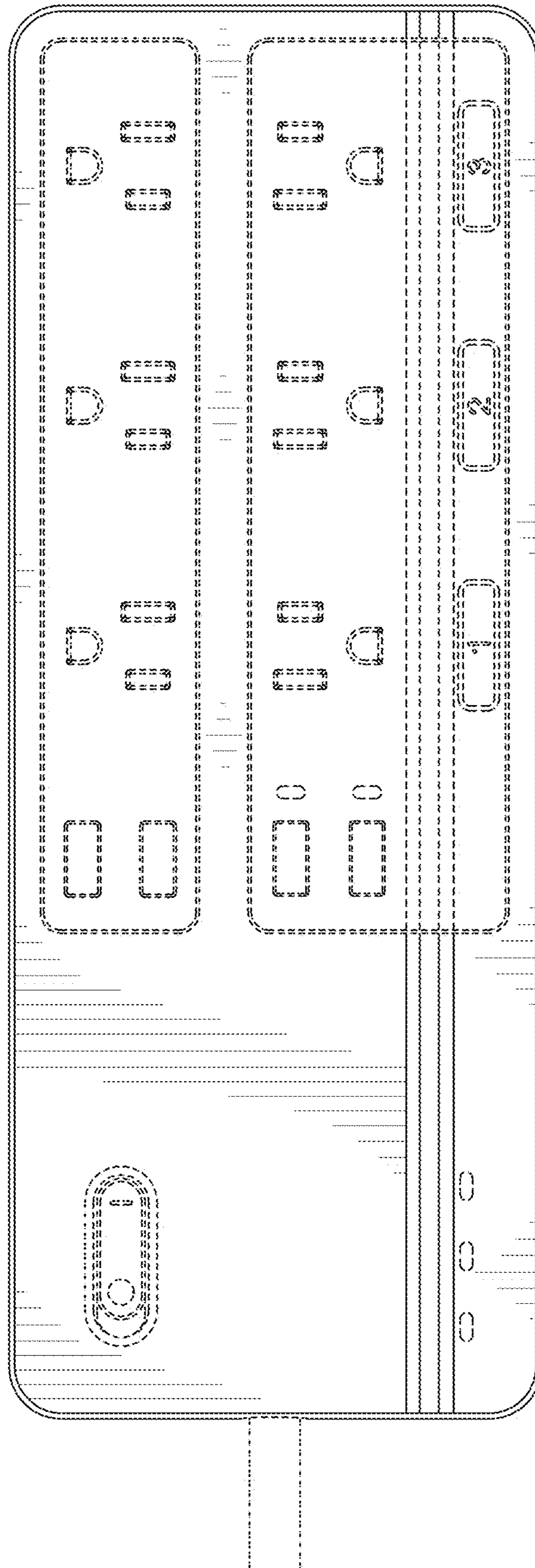


FIG. 2

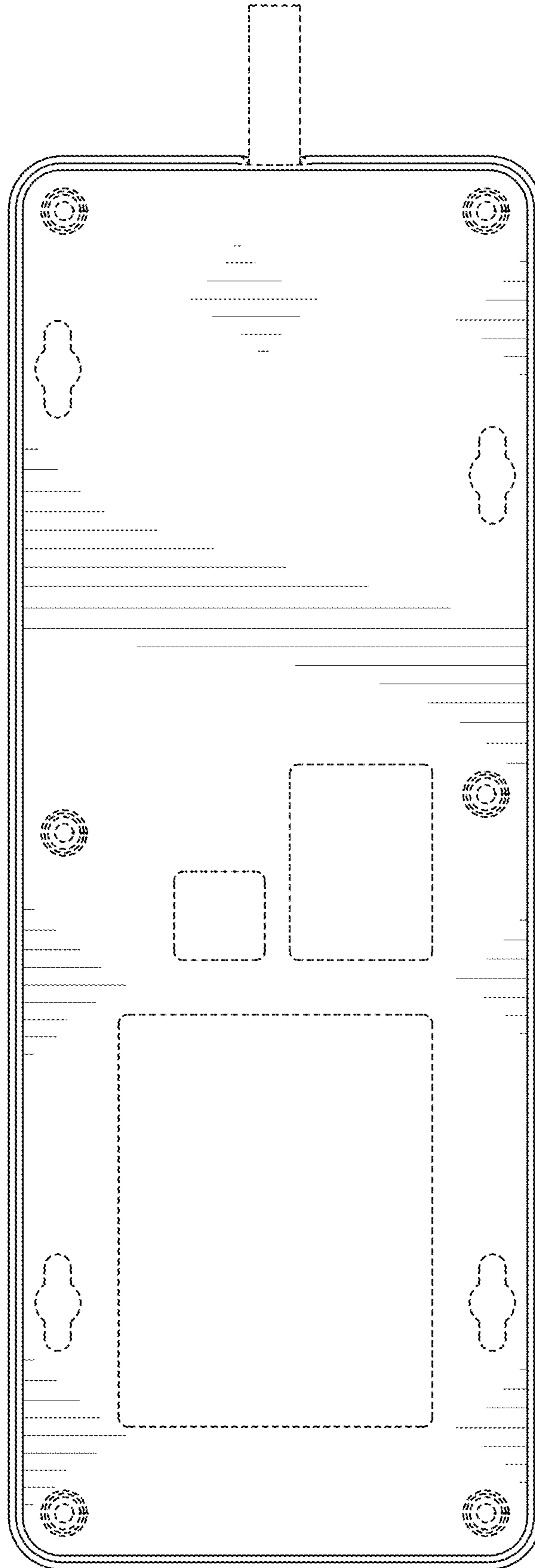


FIG. 3

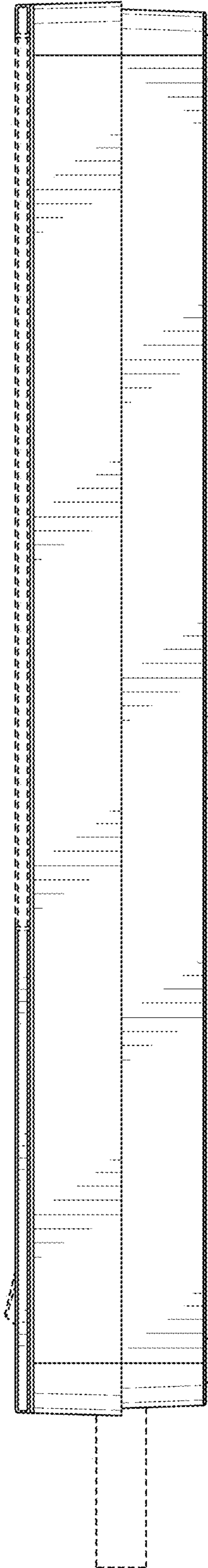


FIG. 4

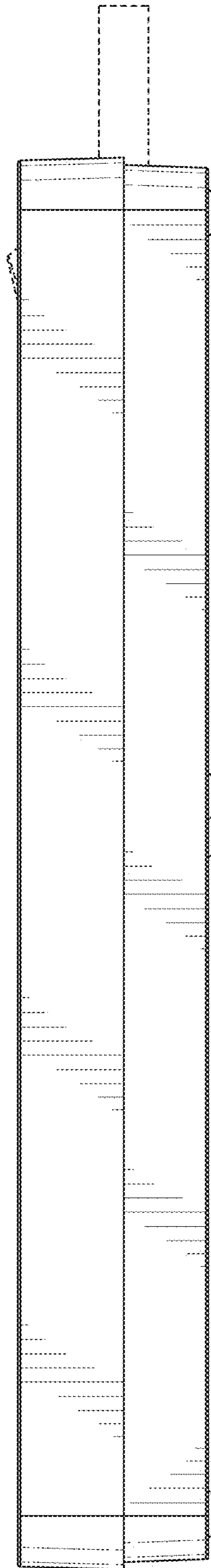


FIG. 5

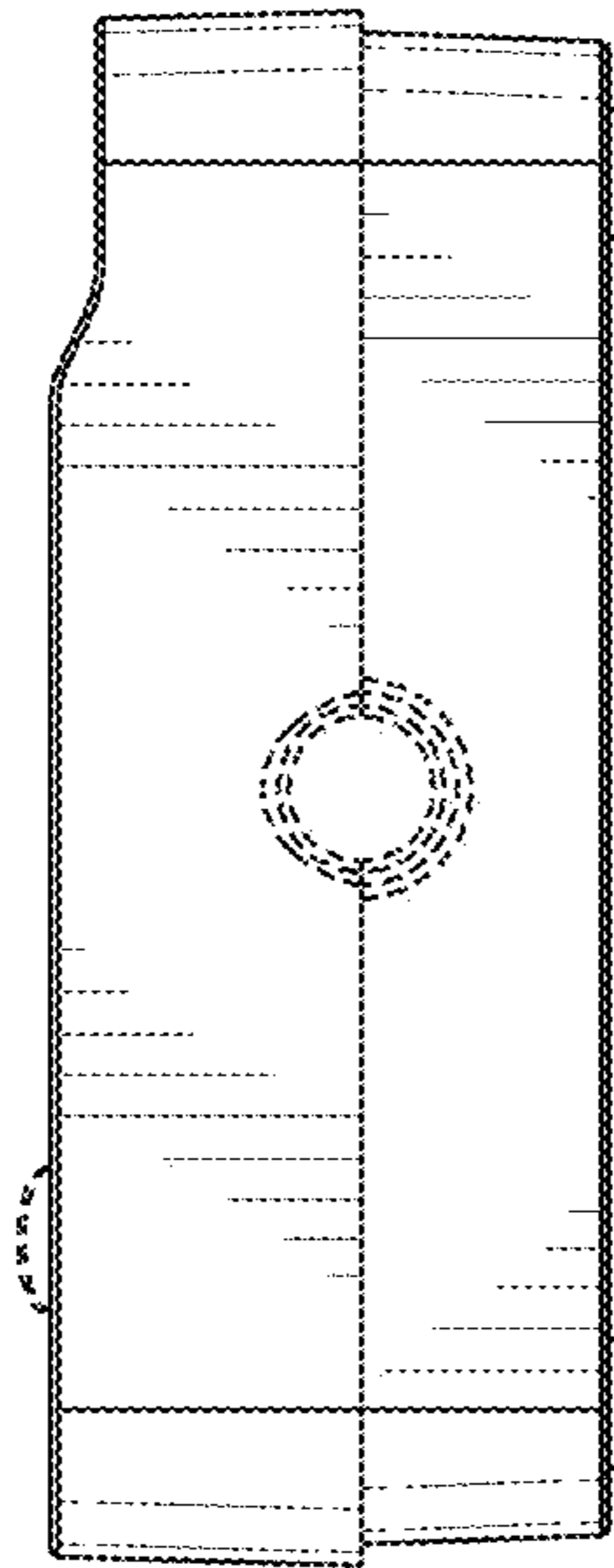


FIG. 6



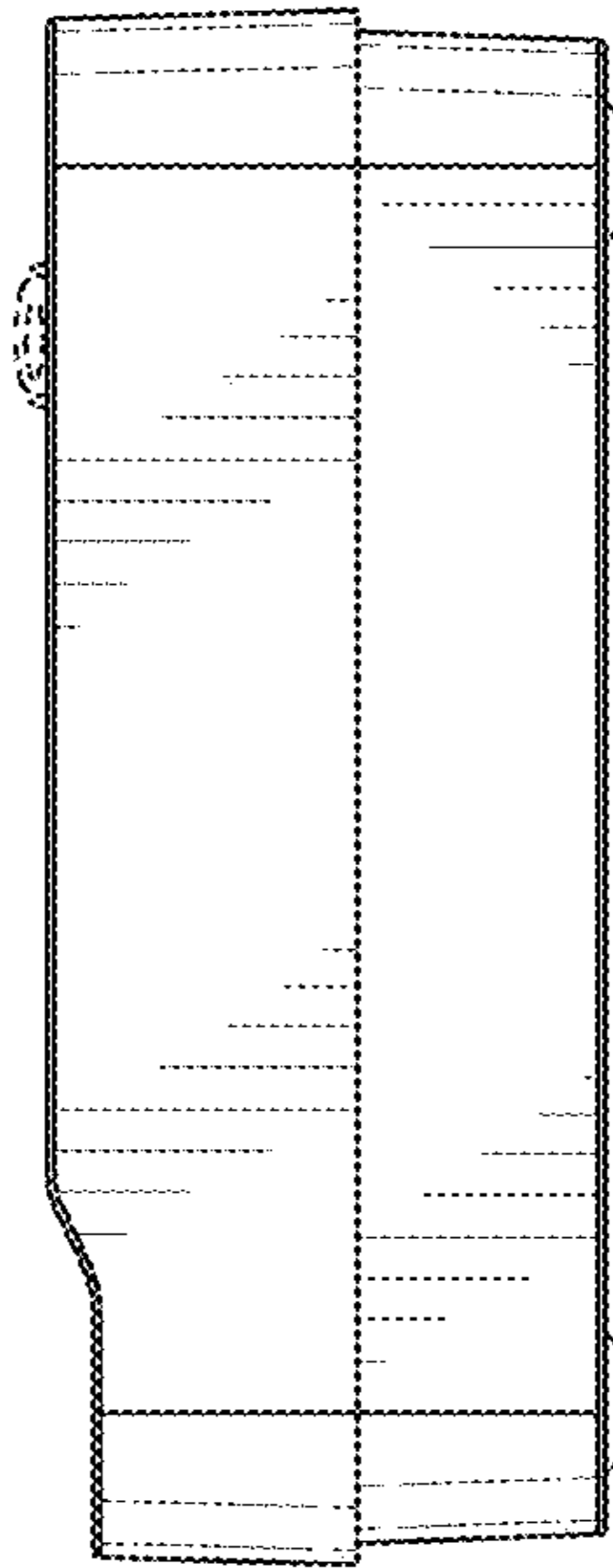


FIG. 7