



US00D913241S

(12) **United States Design Patent**
Gregori

(10) **Patent No.:** **US D913,241 S**
(45) **Date of Patent:** **** Mar. 16, 2021**

- (54) **CONNECTOR TERMINAL**
- (71) Applicant: **Molex, LLC**, Lisle, IL (US)
- (72) Inventor: **Timothy R. Gregori**, New Lenox, IL (US)
- (73) Assignee: **Molex, LLC**, Lisle, IL (US)
- (**) Term: **15 Years**
- (21) Appl. No.: **29/638,784**
- (22) Filed: **Feb. 28, 2018**
- (51) **LOC (13) Cl.** **13-02**
- (52) **U.S. Cl.**
USPC **D13/133**
- (58) **Field of Classification Search**
USPC D13/119, 120, 133, 146, 149, 154, 178,
D13/199
CPC H01R 13/113; H01R 13/11; H01R 11/24;
H01R 11/281; H01R 11/286
See application file for complete search history.

D762,587 S *	8/2016	Ebisawa	D13/154
D781,239 S *	3/2017	Ikeda	D13/154
D813,817 S *	3/2018	Kataoka	D13/133
D827,576 S *	9/2018	Sugizaki	D13/133

OTHER PUBLICATIONS

Molex; CTX50 Receptacle Terminal; Three Color Sheets; Date unknown but product made publicly available prior to filing of present application.

* cited by examiner

Primary Examiner — Jennifer O King

(74) *Attorney, Agent, or Firm* — Banner & Witcoff, Ltd.

(57) **CLAIM**

The ornamental design for a connector terminal, as shown and described.

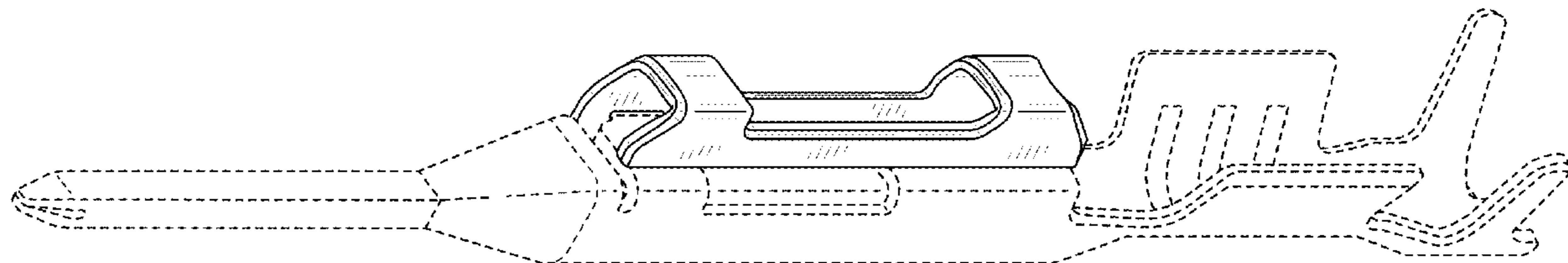
DESCRIPTION

FIG. 1 is a front perspective view of a connector terminal showing my new design;
FIG. 2 is a top view thereof;
FIG. 3 is a bottom view thereof;
FIG. 4 is a right side view thereof;
FIG. 5 is a left side view thereof;
FIG. 6 is a front view thereof; and,
FIG. 7 is a rear view thereof.

The broken lines depicting the remainder of the connector terminal show features that form no part of the claimed design. The uneven-length broken lines immediately adjacent to the shaded area define the bounds of the claimed design and form no part thereof.

1 Claim, 5 Drawing Sheets

- (56) **References Cited**
U.S. PATENT DOCUMENTS
3,363,224 A * 1/1968 Gluntz H01R 13/11
439/852
5,839,925 A * 11/1998 Simmons H01R 13/113
439/852
D553,080 S * 10/2007 Sakamaki D13/133
D556,136 S * 11/2007 Shiga D13/133
D621,368 S * 8/2010 Lee D13/154
D751,041 S * 3/2016 Ebisawa D13/154



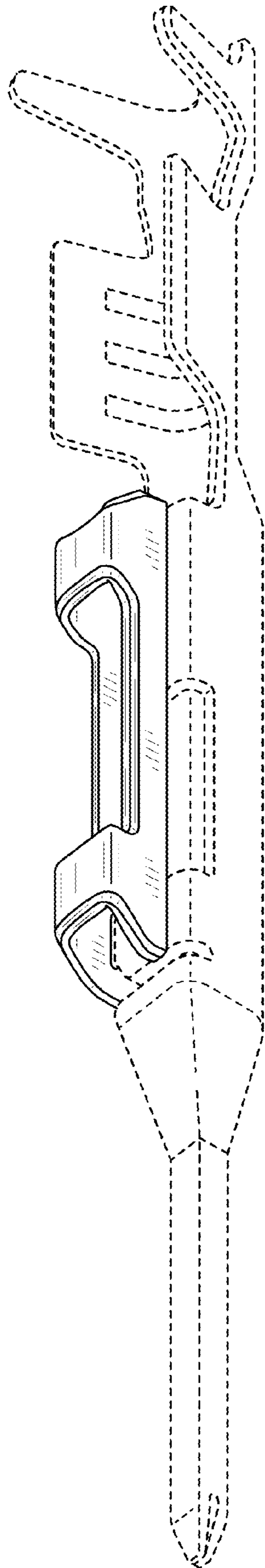


FIG. 1

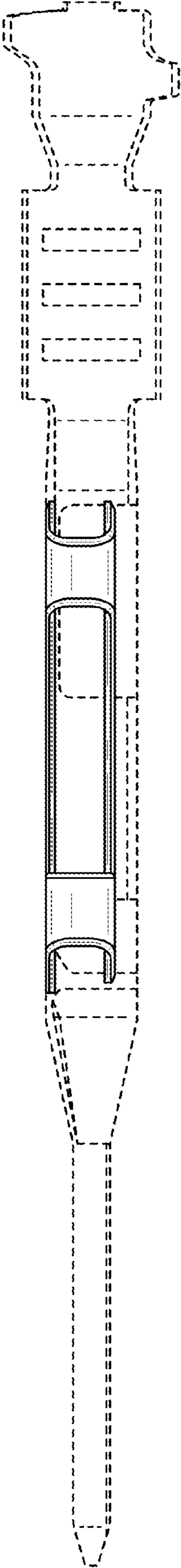


FIG. 2

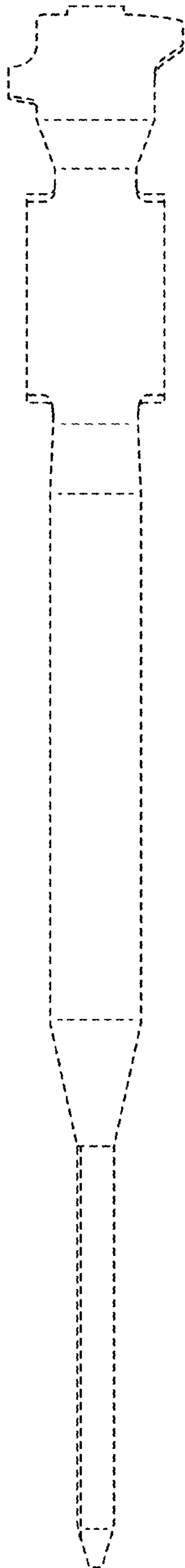


FIG. 3

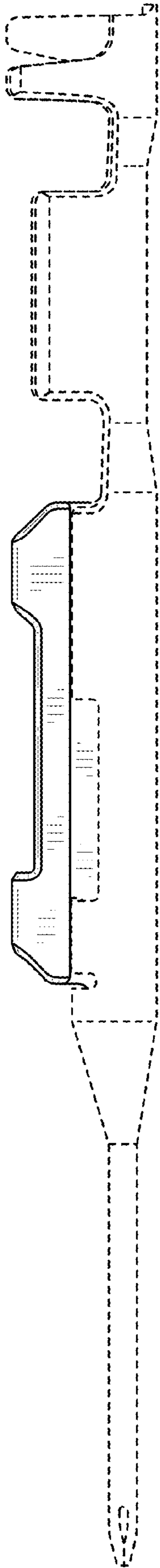


FIG. 4

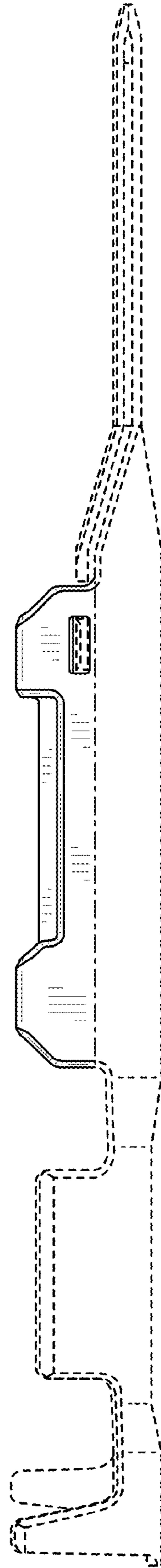


FIG. 5

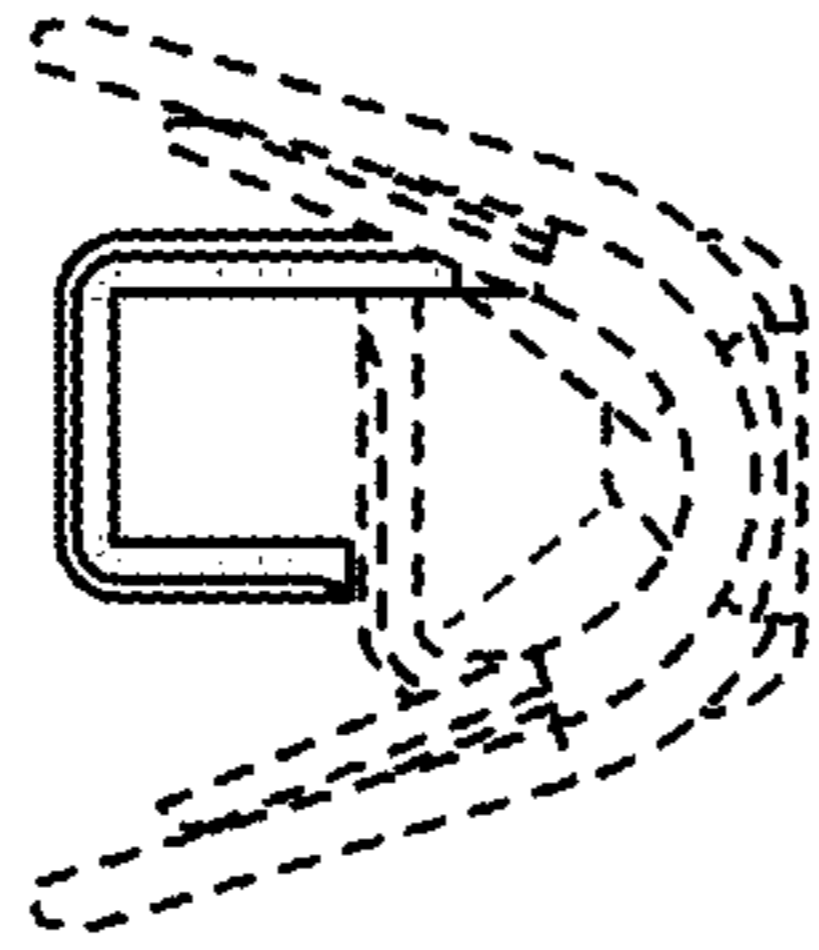


FIG. 7

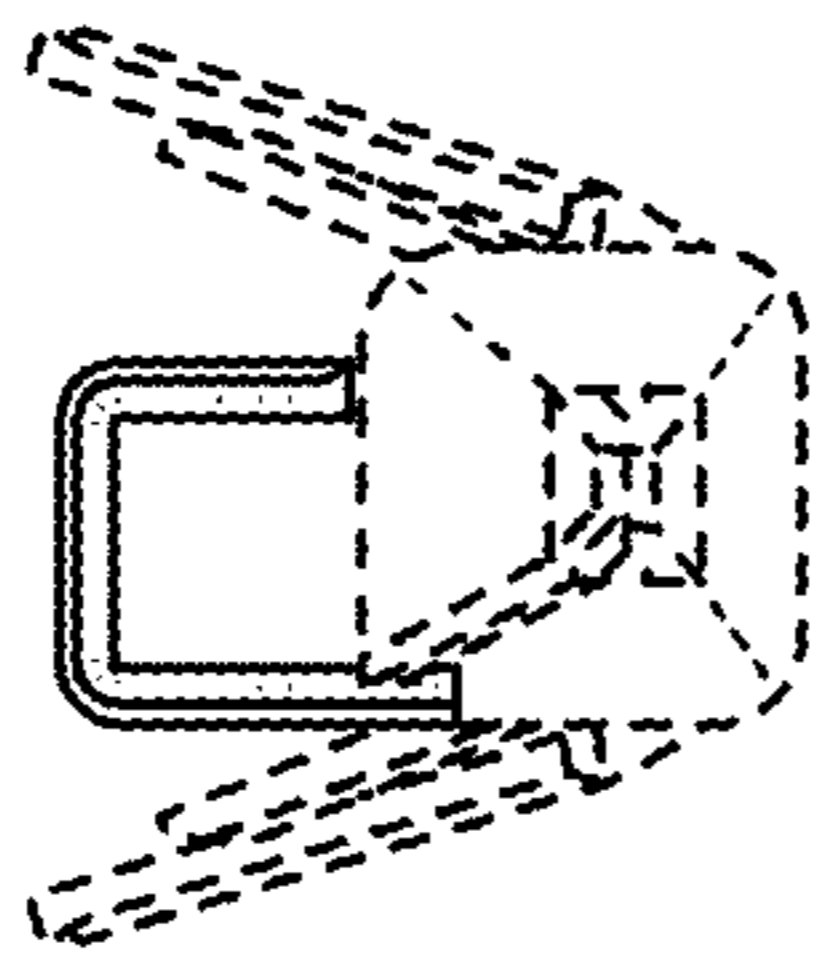


FIG. 6