



US00D913240S

(12) **United States Design Patent**  
**Ling**

(10) **Patent No.:** **US D913,240 S**

(45) **Date of Patent:** **\*\* Mar. 16, 2021**

(54) **MOTOR HOUSING**

(71) Applicant: **Robert Bosch GmbH**, Stuttgart (DE)

(72) Inventor: **Matthew Ling**, Stowmarket (GB)

(73) Assignee: **Robert Bosch GmbH**, Stuttgart (DE)

(\*\*) Term: **15 Years**

(21) Appl. No.: **29/698,333**

(22) Filed: **Jul. 16, 2019**

(30) **Foreign Application Priority Data**

Jan. 22, 2019 (EM) ..... 006081188

(51) **LOC (13) Cl.** ..... **13-01**

(52) **U.S. Cl.**  
USPC ..... **D13/122**

(58) **Field of Classification Search**  
USPC ..... D13/112, 113, 114, 122, 199; D15/3, 5,  
D15/199

CPC ..... F02B 2063/045; F02B 2063/046; F02B  
63/04; F02B 63/048; H02K 3/24; H02K  
3/47; H02K 5/00; H02K 5/02; H02K  
5/06; H02K 5/08

See application file for complete search history.

(56) **References Cited**

**U.S. PATENT DOCUMENTS**

D325,561 S \* 4/1992 Wilson ..... D13/118  
D352,043 S \* 11/1994 Davies, III ..... D15/17

D460,459 S \* 7/2002 Hansen ..... D15/4  
D487,751 S \* 3/2004 Neeley ..... D15/5  
D594,476 S \* 6/2009 Mayer ..... D15/5  
D681,065 S \* 4/2013 Maeda ..... D15/17  
D705,163 S \* 5/2014 Lauper ..... D13/112  
D826,277 S \* 8/2018 Scott ..... D15/1

\* cited by examiner

*Primary Examiner* — Derrick E Holland

(74) *Attorney, Agent, or Firm* — Maginot, Moore & Beck  
LLP

(57) **CLAIM**

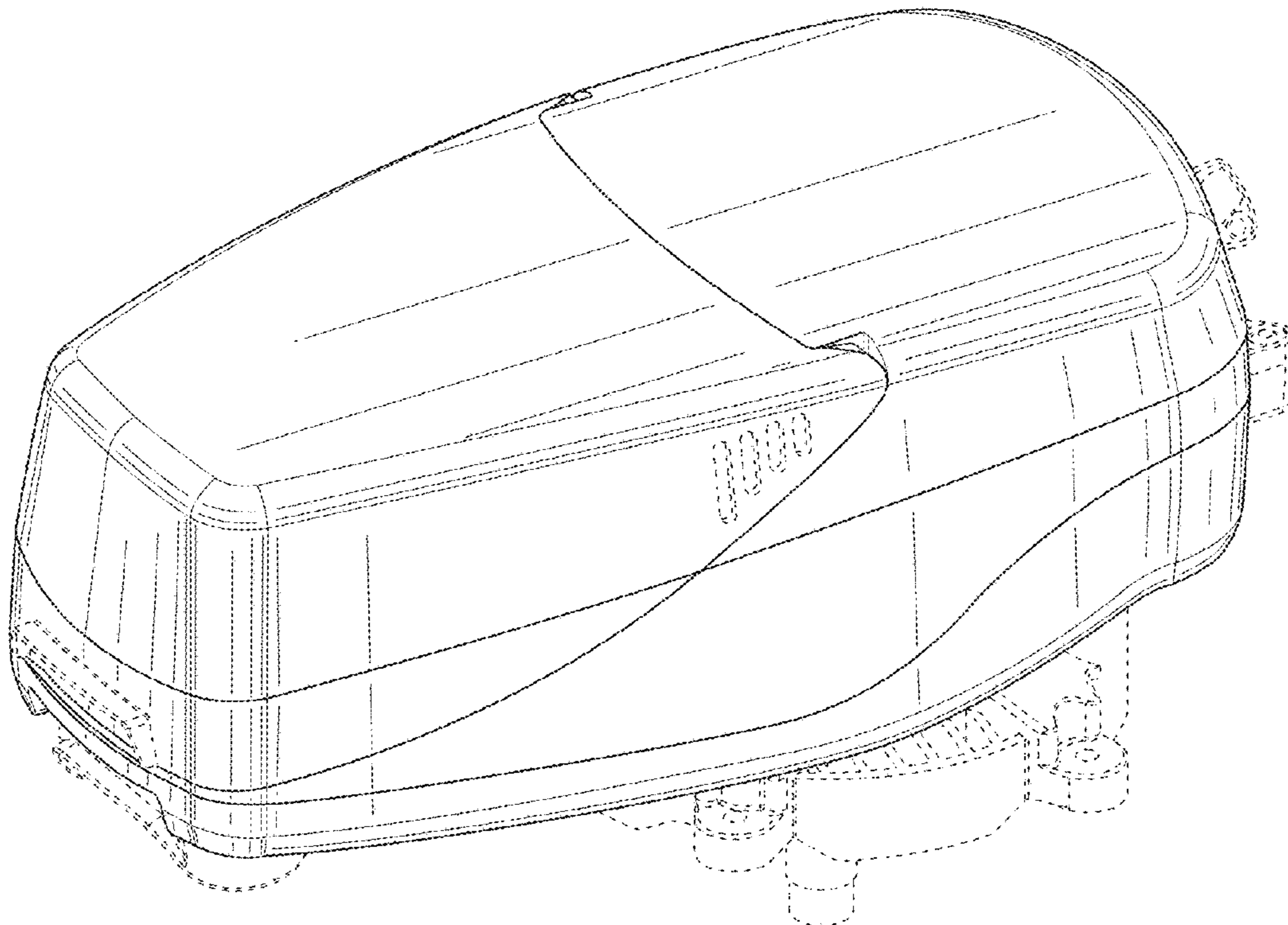
The ornamental design for a motor housing, as shown and  
described.

**DESCRIPTION**

FIG. 1 is a right side perspective view of a motor housing  
showing my new design;  
FIG. 2 is a front side elevational view of the motor housing  
of FIG. 1;  
FIG. 3 is a rear side elevational view of the motor housing  
of FIG. 1;  
FIG. 4 is a right side elevational view of the motor housing  
of FIG. 1;  
FIG. 5 is a left side elevational view of the motor housing  
of FIG. 1;  
FIG. 6 is a top plan view of the motor housing of FIG. 1; and,  
FIG. 7 is a bottom plan view of the motor housing of FIG.  
1.

The broken lines shown in the drawings illustrate portions of  
the motor housing that form no part of the claimed design.

**1 Claim, 7 Drawing Sheets**



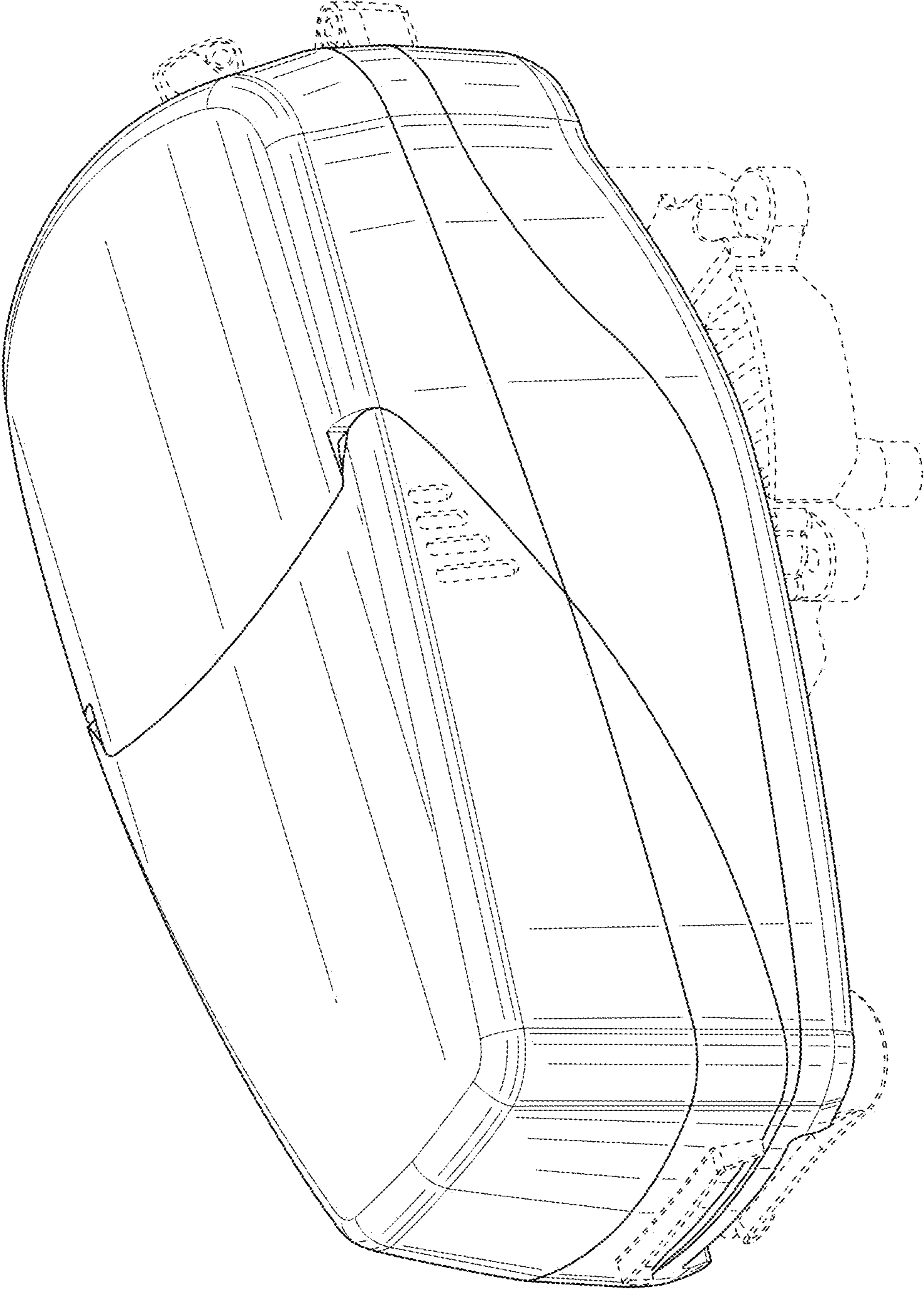


FIG. 1

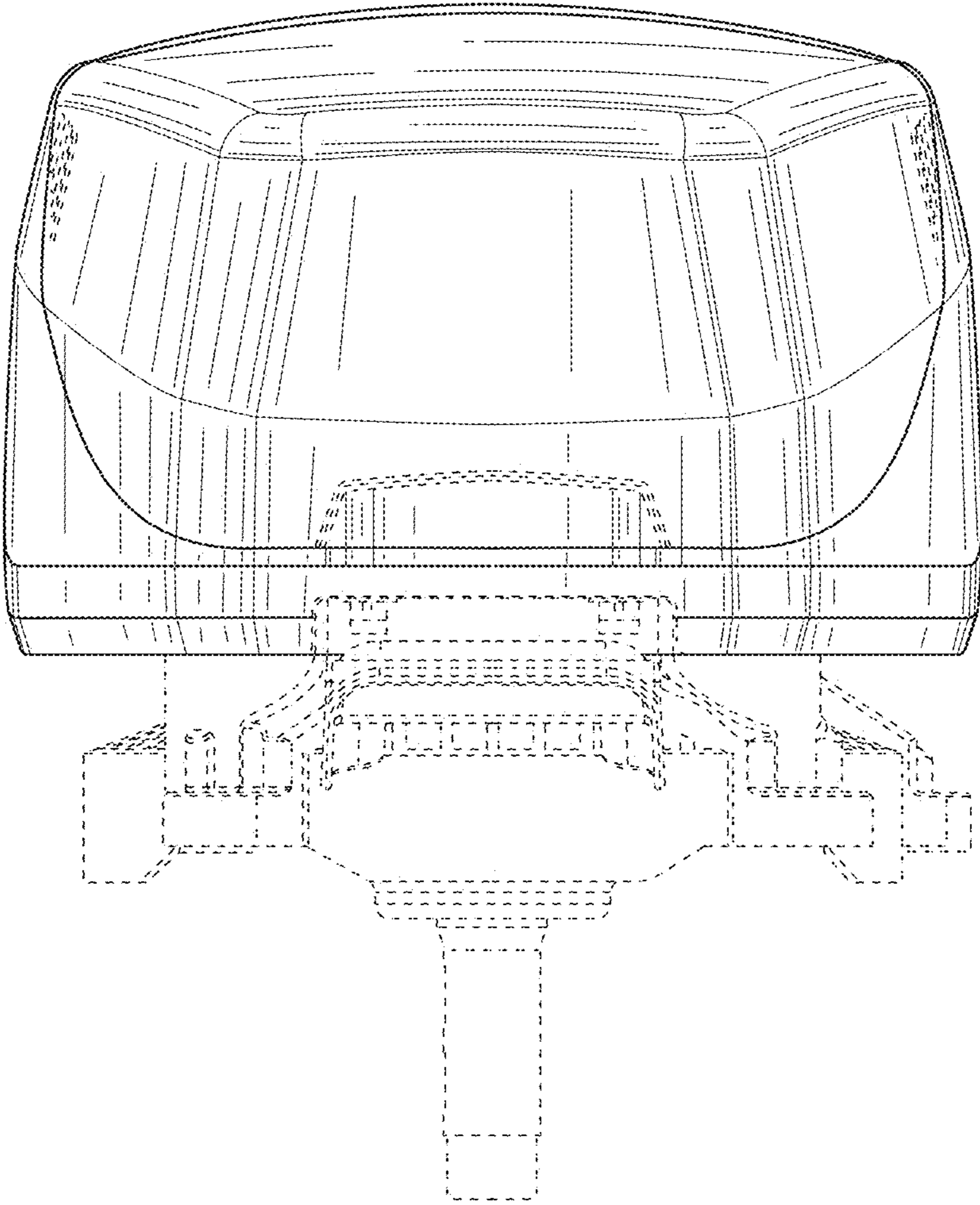


FIG. 2

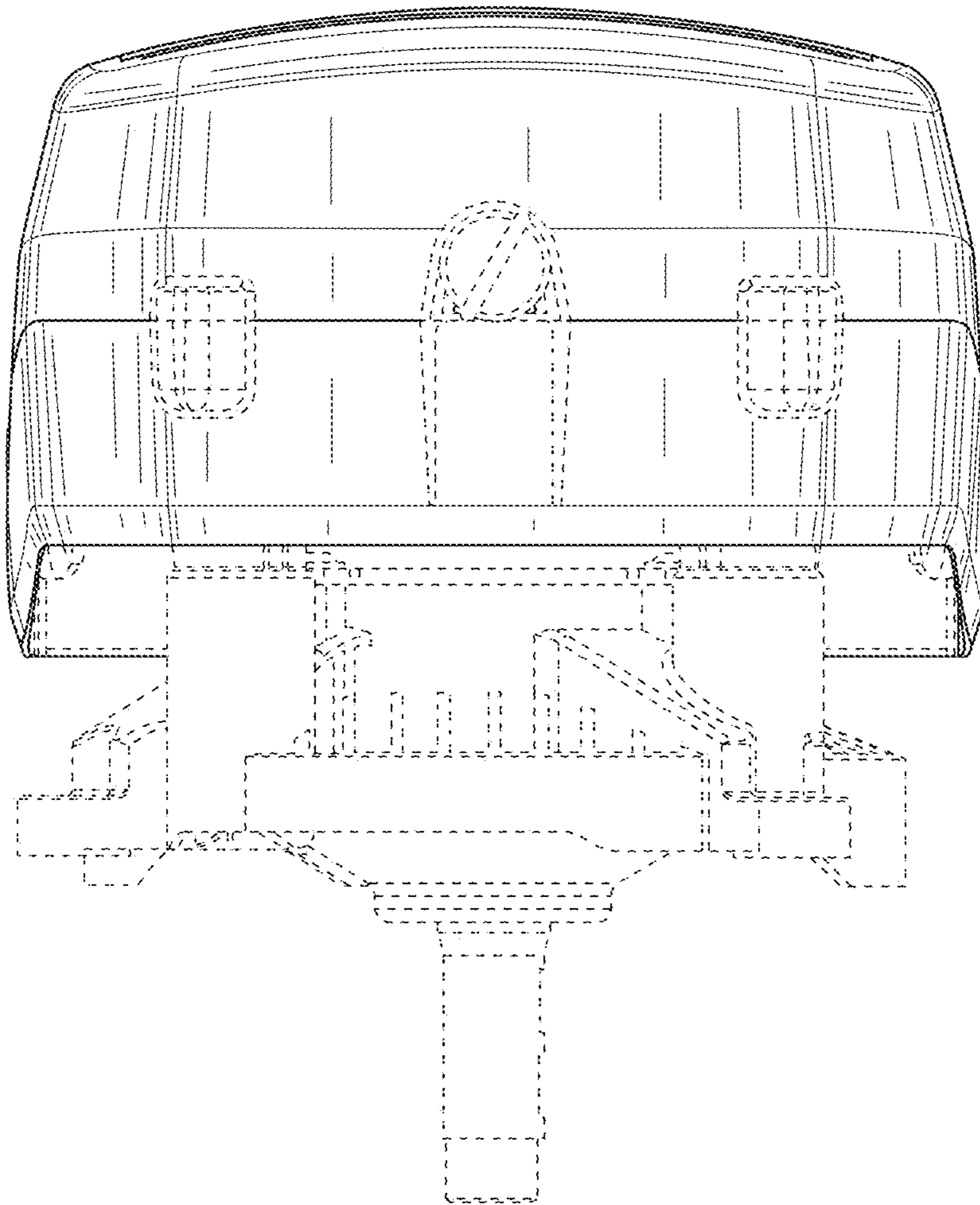


FIG. 3



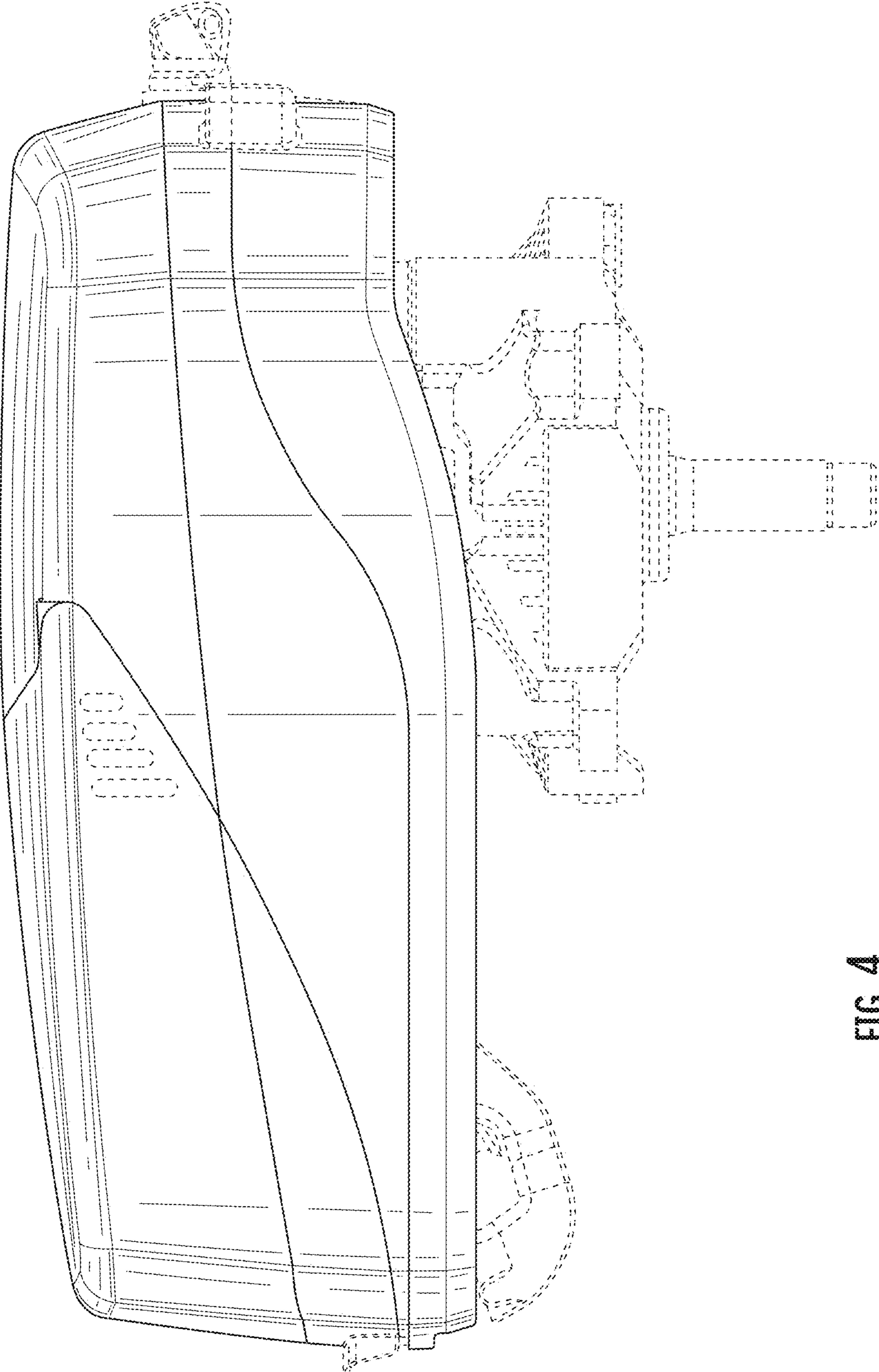


FIG. 4

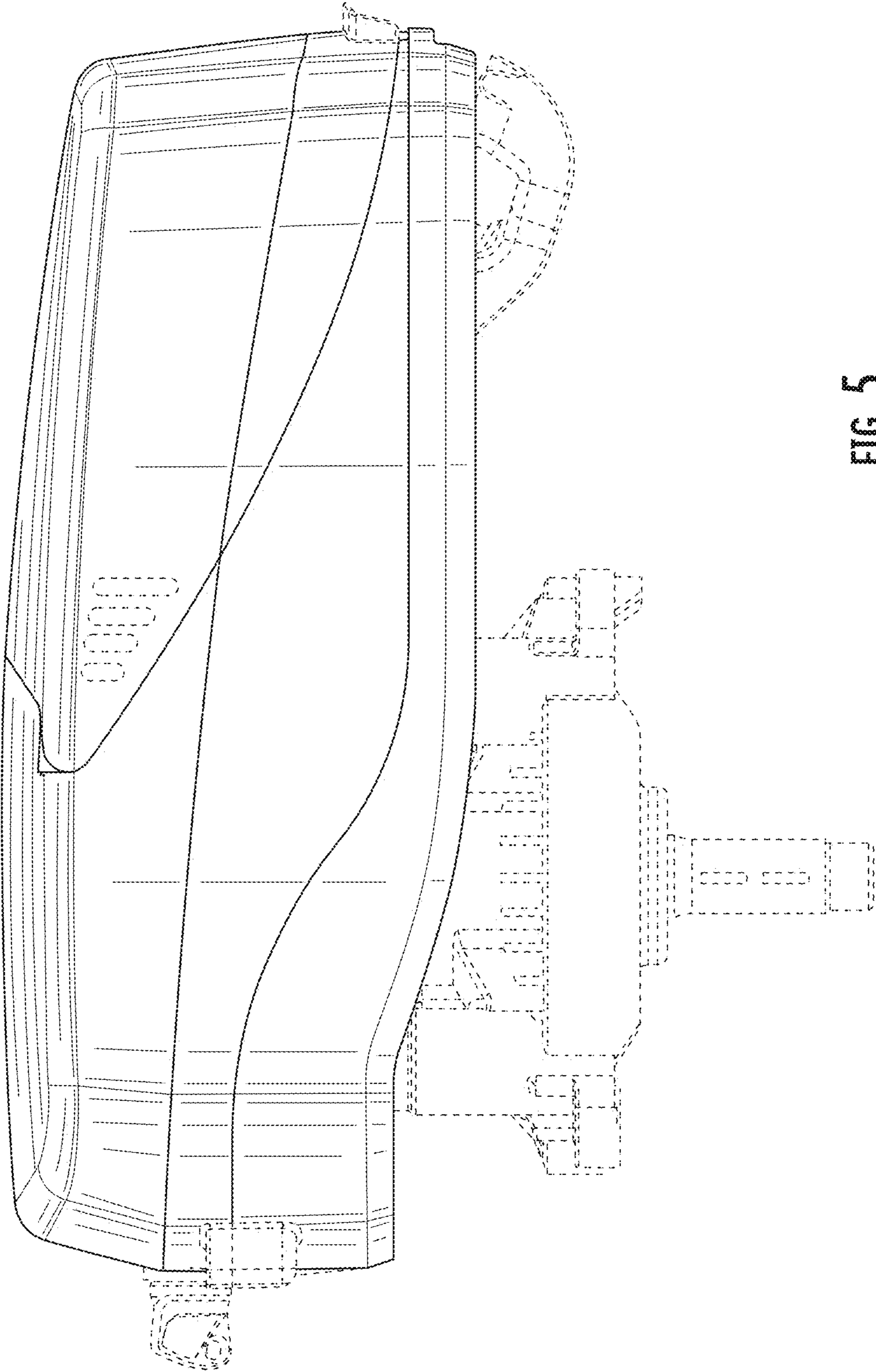


FIG. 5

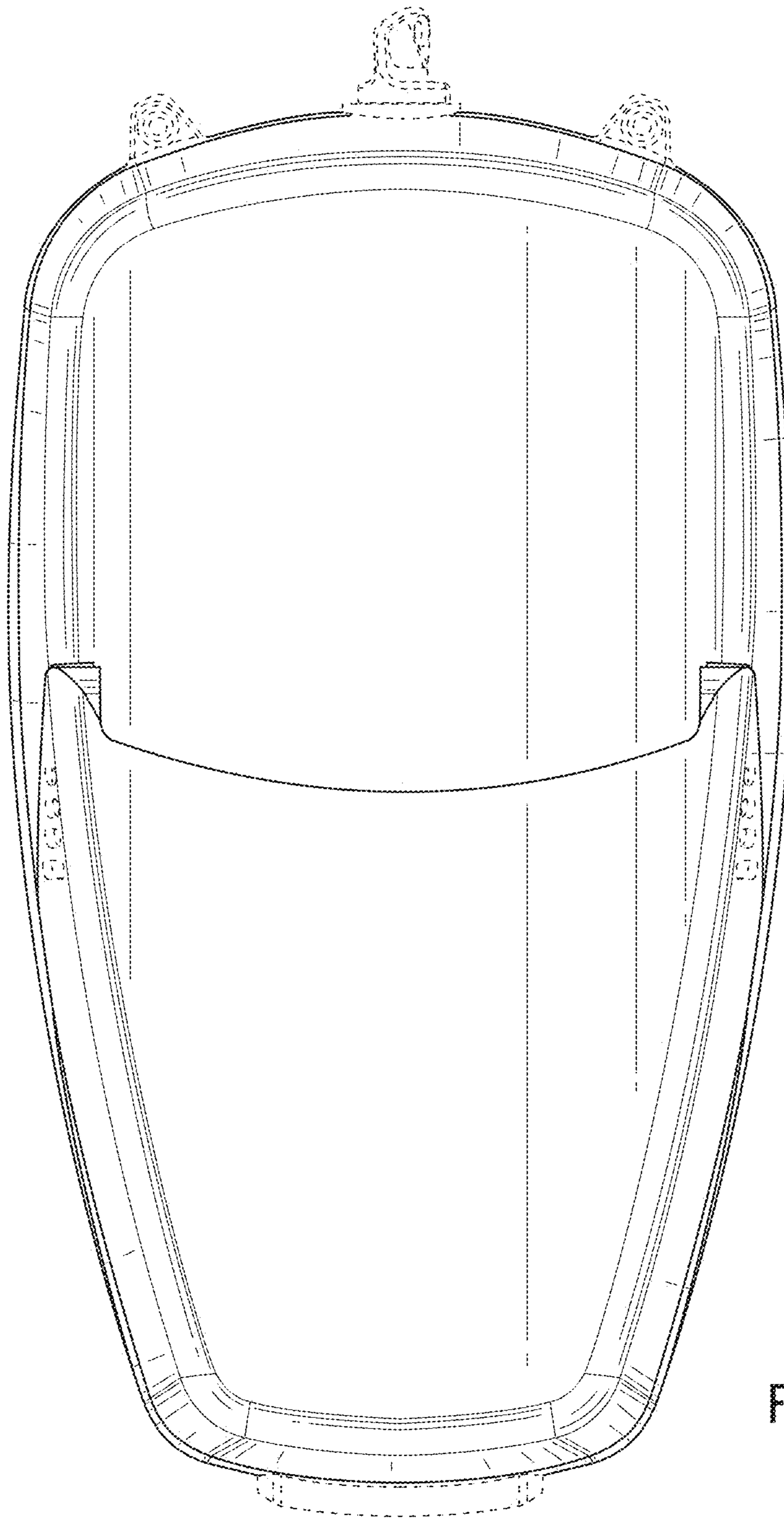


FIG. 6

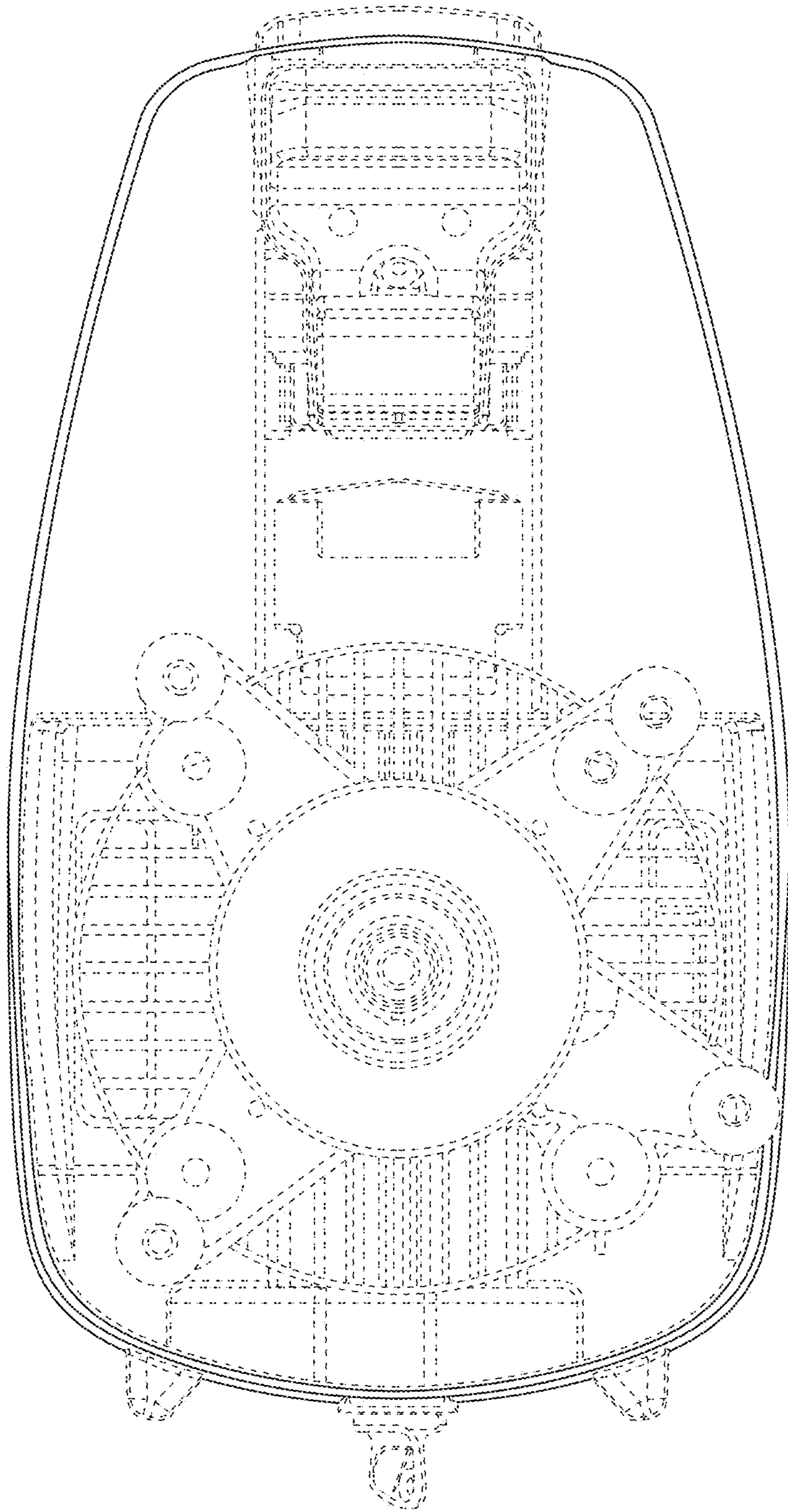


FIG. 7