



US00D913237S

(12) **United States Design Patent**  
**Kim et al.**

(10) **Patent No.:** **US D913,237 S**  
(45) **Date of Patent:** **\*\* Mar. 16, 2021**

(54) **ELECTRODE TAB**

(71) Applicant: **LIBEST INC.**, Daejeon (KR)

(72) Inventors: **Joo Seong Kim**, Yongin-si (KR); **Jin Hong Ha**, Daejeon (KR)

(73) Assignee: **LIBEST INC.**, Daejeon (KR)

(\*\*) Term: **15 Years**

(21) Appl. No.: **29/663,507**

(22) Filed: **Sep. 17, 2018**

(51) **LOC (13) Cl.** ..... **13-02**

(52) **U.S. Cl.**  
USPC ..... **D13/121**

(58) **Field of Classification Search**  
USPC ..... D13/118, 119, 120, 121, 182, 199  
CPC ..... H01M 2/02; H01M 2/026; H01M 2/266  
See application file for complete search history.

(56) **References Cited**

U.S. PATENT DOCUMENTS

3,023,259	A *	2/1962	Coler	.....	H01M 4/24 429/127
D332,082	S *	12/1992	Cordes	.....	D13/121
D399,486	S *	10/1998	Deans	.....	D13/120
D743,399	S *	11/2015	Frank	.....	D14/435

D886,739	S *	6/2020	Kim	.....	D13/121
2016/0240325	A1 *	8/2016	Tajima	.....	H01M 10/0459
2018/0083255	A1 *	3/2018	Kim	.....	H01M 2/266
2019/0237811	A1 *	8/2019	Park	.....	H01M 2/021
2020/0014016	A1 *	1/2020	Kim	.....	H01M 2/02

\* cited by examiner

*Primary Examiner* — Jennifer O King

(74) *Attorney, Agent, or Firm* — Hamre, Schumann, Mueller & Larson, P.C.

(57) **CLAIM**

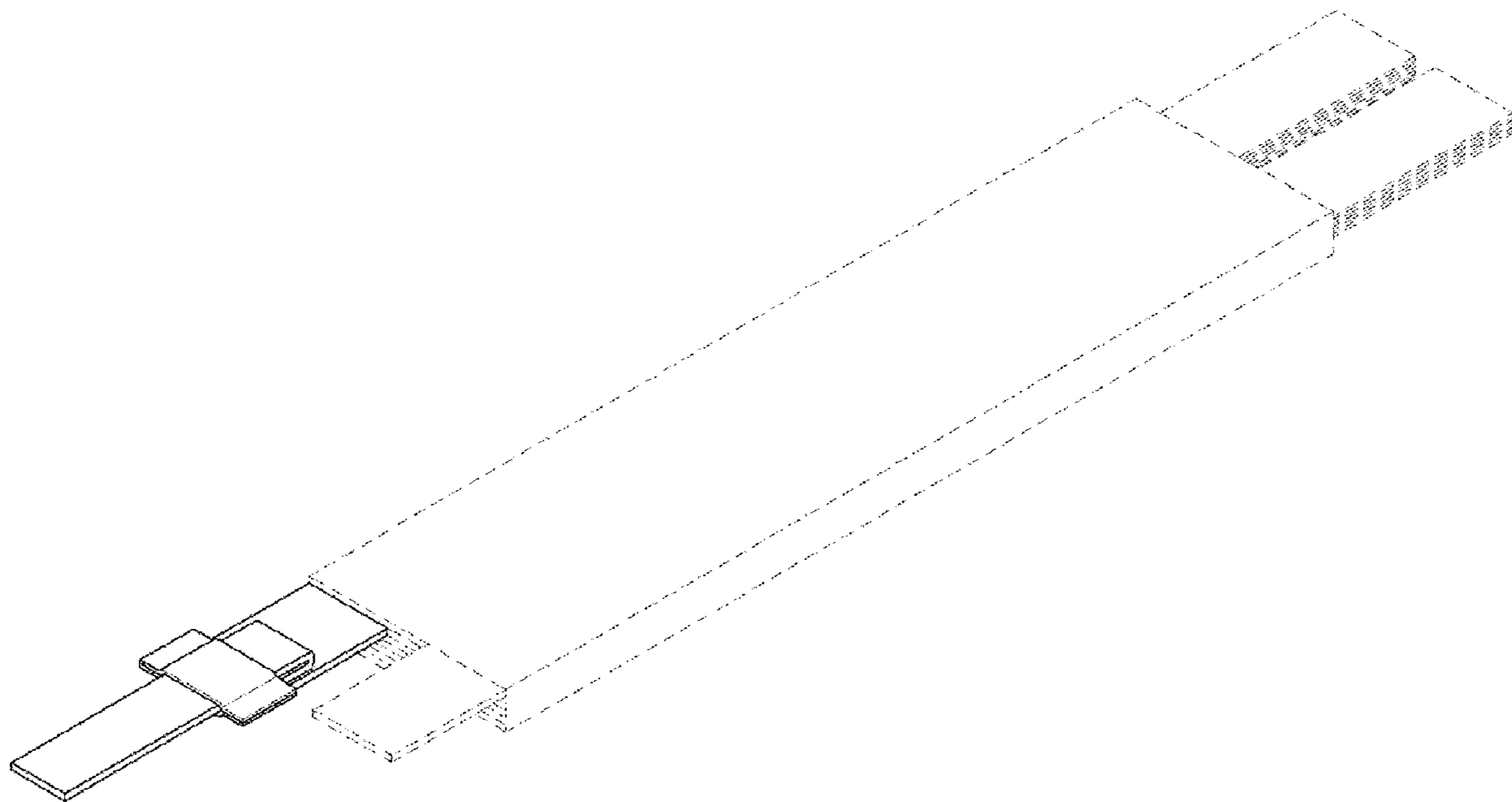
The ornamental design for electrode tab, as shown and described.

**DESCRIPTION**

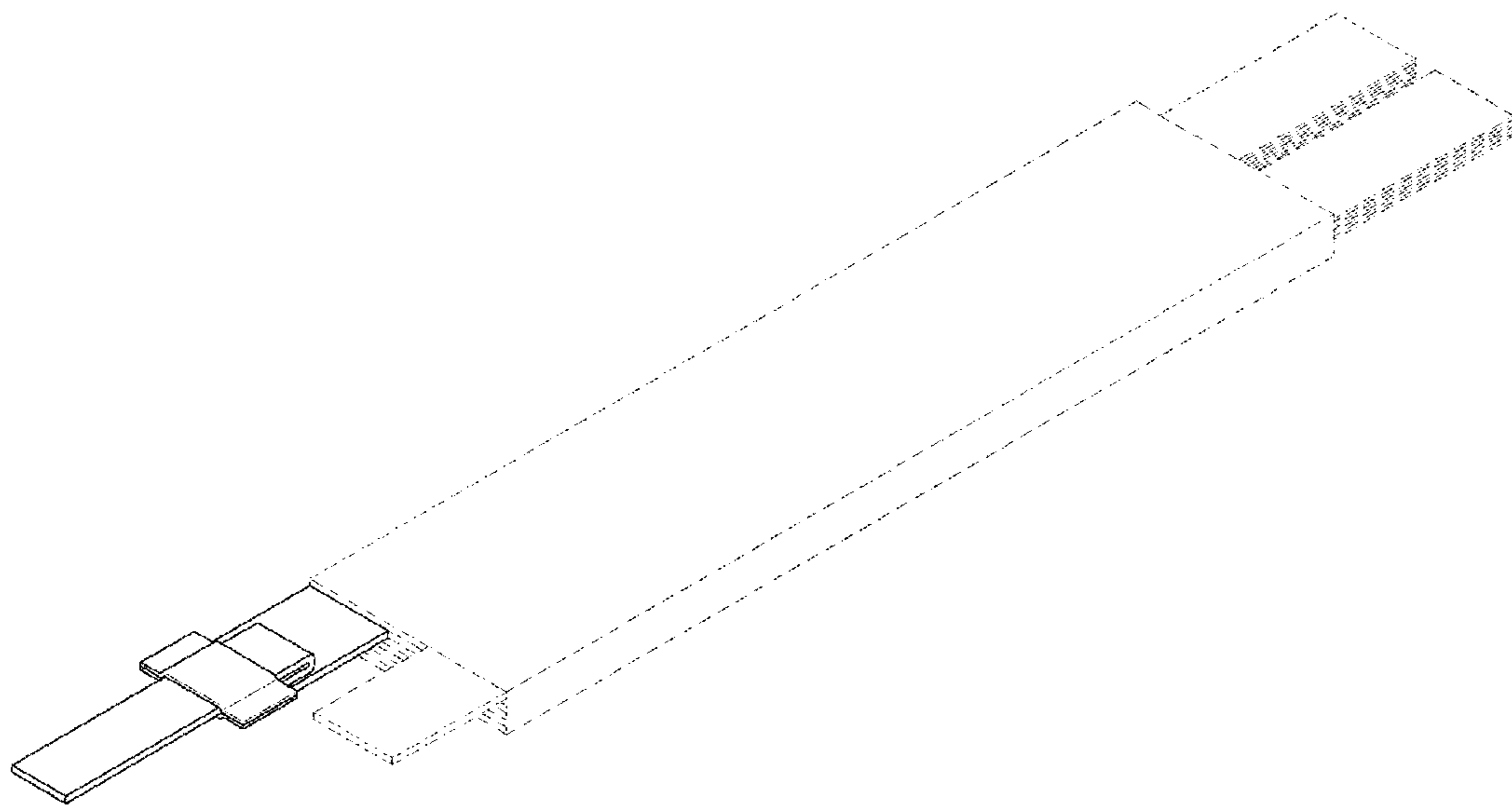
FIG. 1 is a reference perspective view of an electrode tab illustrating our new design, FIG. 2 is a top plan view thereof; FIG. 3 is a bottom view thereof; FIG. 4 is a left side view thereof; FIG. 5 is a right side view thereof; FIG. 6 is a front view thereof; FIG. 7 is a rear view thereof; and, FIG. 8 is a reference perspective view thereof.

The broken line representations in the figures show unclaimed environment, and thus form no part of the claimed design.

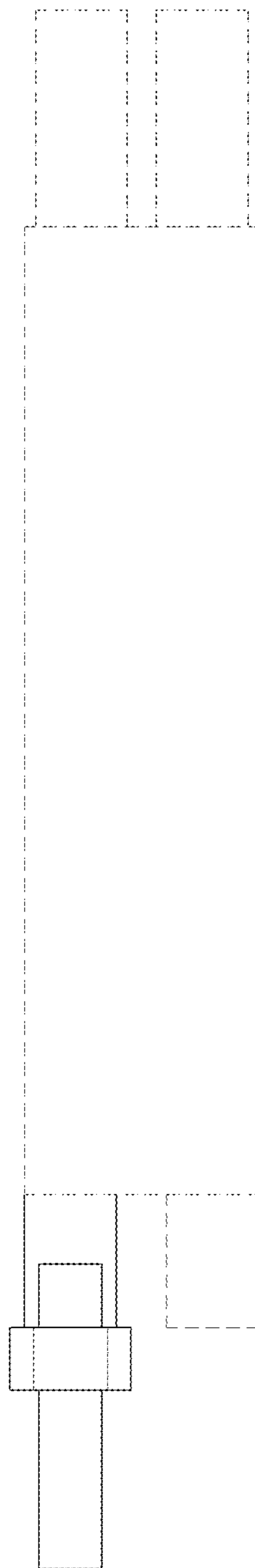
**1 Claim, 8 Drawing Sheets**



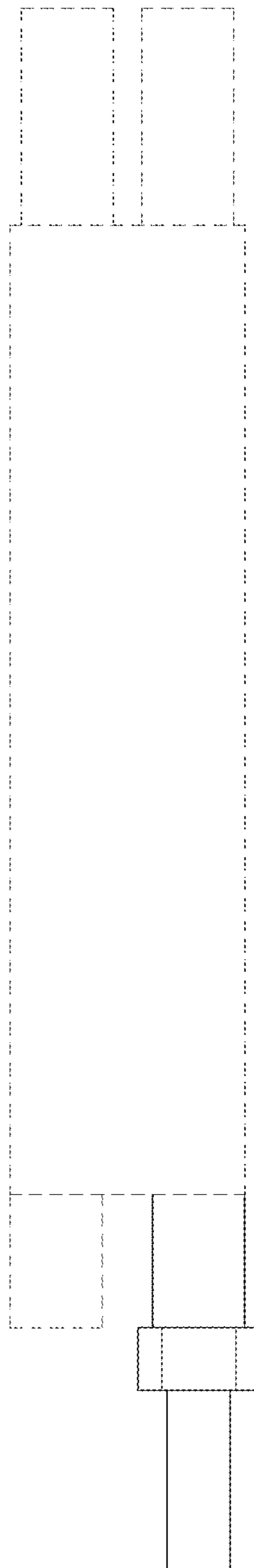
*FIG. 1*



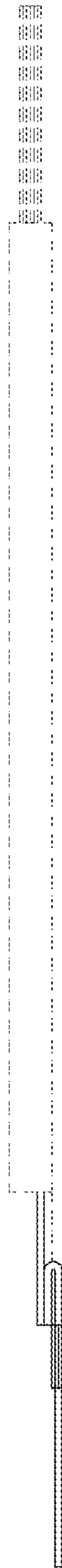
*FIG. 2*



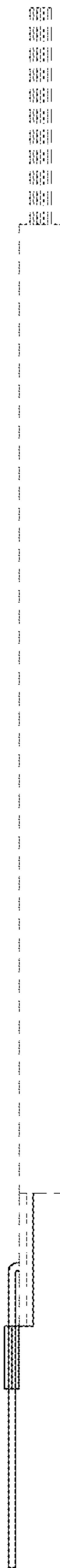
*FIG. 3*



*FIG. 4*



*FIG. 5*



*FIG. 6*



*FIG. 7*





*FIG. 8*

