



US00D913233S

(12) **United States Design Patent** (10) **Patent No.:** **US D913,233 S**
McGinley et al. (45) **Date of Patent:** **** Mar. 16, 2021**

(54) **MOTORCYCLE BATTERY PACK**

(71) Applicant: **Harley-Davidson Motor Company Group, LLC**, Milwaukee, WI (US)

(72) Inventors: **Ben McGinley**, Glendale, WI (US);
Brad Richards, Grafton, WI (US);
Kirk Rasmussen, Springville, UT (US);
Ronald Hurth, Beaver Dam, WI (US);
D. Addison Parks, Waukesha, WI (US);
Curt Zackiewicz, Milwaukee, WI (US)

(73) Assignee: **HARLEY-DAVIDSON MOTOR COMPANY GROUP, LLC**, Milwaukee, WI (US)

(**) Term: **15 Years**

(21) Appl. No.: **29/658,257**

(22) Filed: **Jul. 30, 2018**

(51) **LOC (13) Cl.** **13-02**

(52) **U.S. Cl.**
USPC **D13/119**

(58) **Field of Classification Search**
USPC D13/103-110, 118-121, 184, 199;
D12/126, 114
CPC H01M 2/10; H01M 2220/20
See application file for complete search history.

(56) **References Cited**

U.S. PATENT DOCUMENTS

D294,264 S * 2/1988 Davidson D15/3
D463,801 S * 10/2002 Kinsey D15/5
D467,940 S * 12/2002 Kinsey D15/5
D489,682 S * 5/2004 Guillarme D13/110
D549,138 S * 8/2007 Tanaka B62J 25/00
D12/114
D596,538 S * 7/2009 May D12/126

D730,333 S * 5/2015 Matsumoto D14/240
D753,552 S * 4/2016 McGinley et al.
D781,920 S * 3/2017 Hsu D15/3
D786,737 S * 5/2017 Kobayashi D12/114
D805,486 S * 12/2017 Hochman D13/184
D820,199 S * 6/2018 Francis D13/103
D853,956 S * 7/2019 Lau D13/107
D884,612 S * 5/2020 Lau D13/107
2011/0177371 A1 * 7/2011 Belton B60L 58/14
429/98

* cited by examiner

Primary Examiner — Jennifer O King

(74) *Attorney, Agent, or Firm* — Michael Best & Friedrich LLP

(57) **CLAIM**

We claim the ornamental design for a motorcycle battery pack, as shown and described.

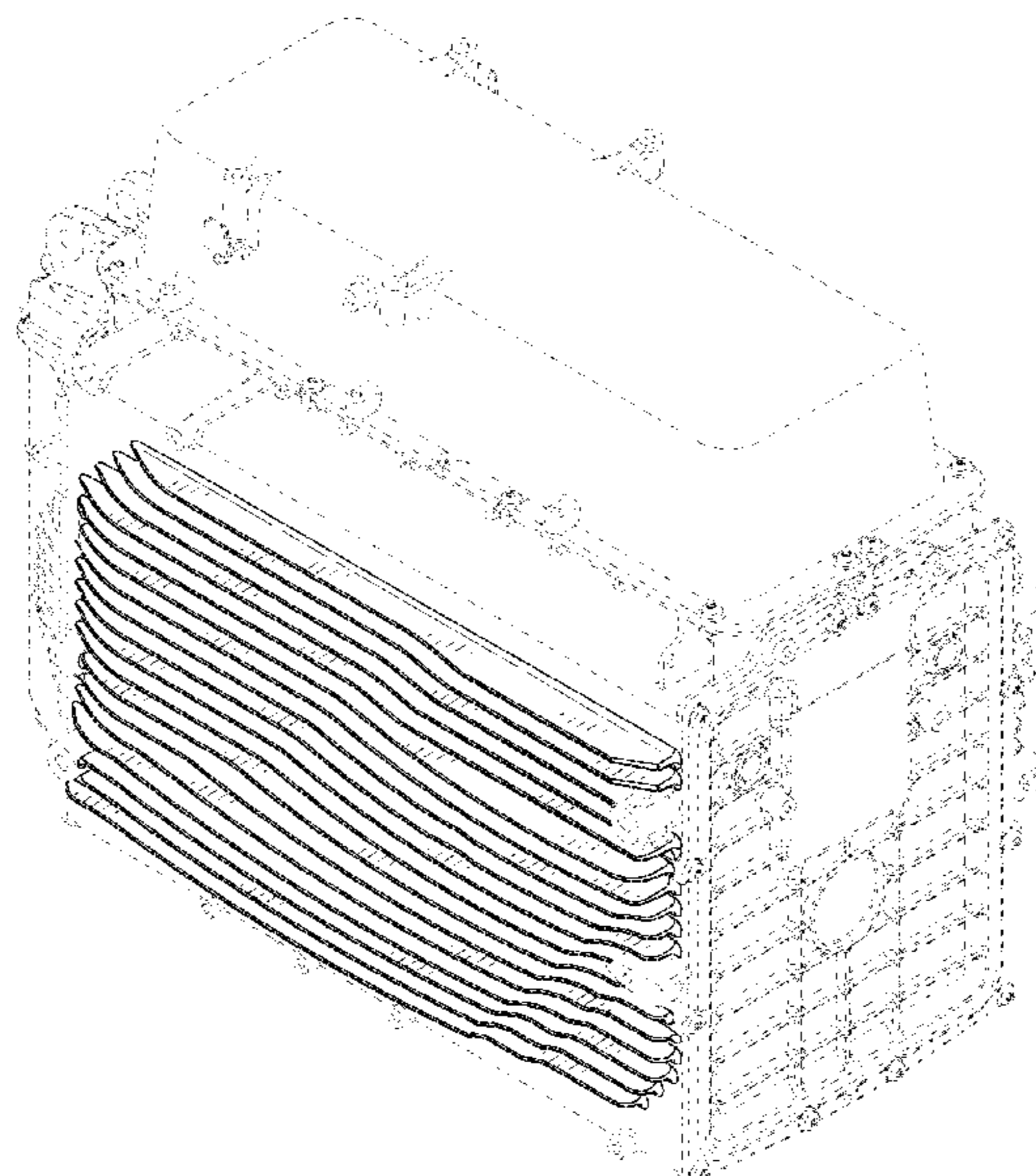
DESCRIPTION

FIG. 1 is a front perspective view of a motorcycle battery pack;
FIG. 2 is a rear perspective view thereof;
FIG. 3 is a front view thereof;
FIG. 4 is a rear view thereof;
FIG. 5 is a right side view thereof;
FIG. 6 is a left side view thereof;
FIG. 7 is a top view thereof;
FIG. 8 is a bottom view thereof; and,
FIG. 9 is a rear perspective view of the motorcycle battery pack on a motorcycle.

The broken lines are included for the purpose of showing portions of the motorcycle battery pack that form no part of the claimed design. The additional broken lines shown in FIG. 9 show environment that forms no part of the claimed design.

The broken lines are included for the purpose of showing environment that forms no part of the claimed design.

1 Claim, 9 Drawing Sheets



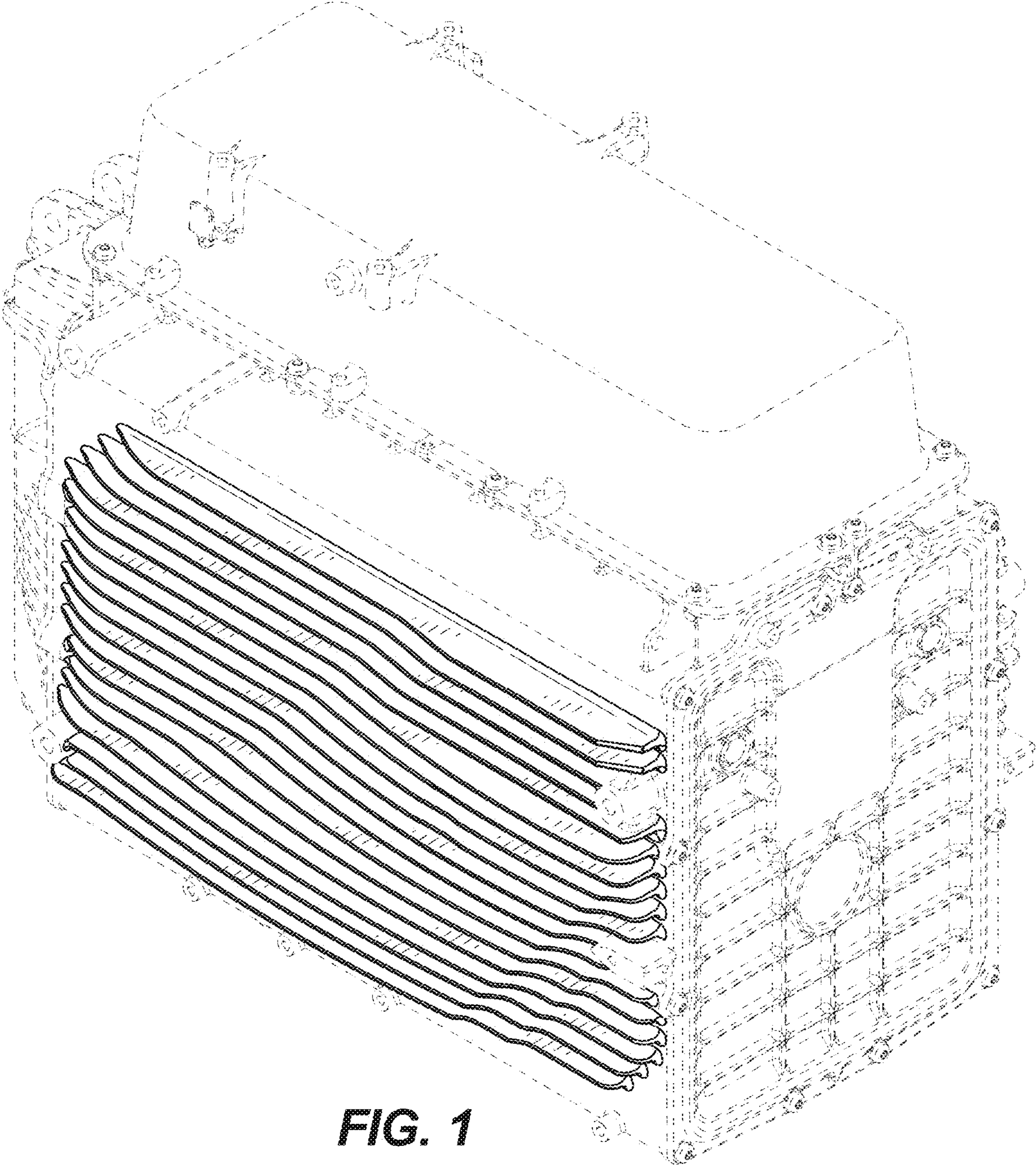


FIG. 1

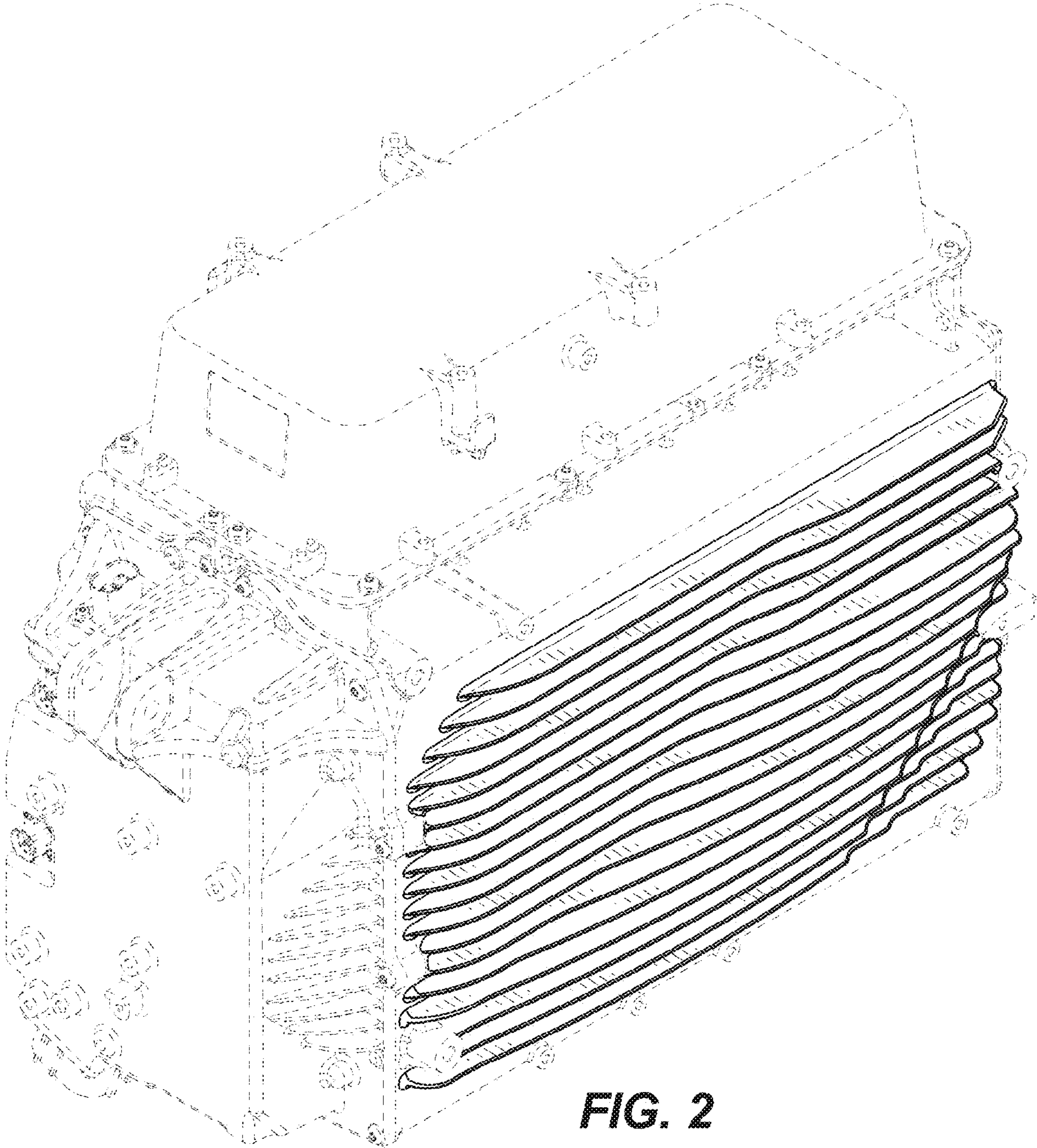


FIG. 2

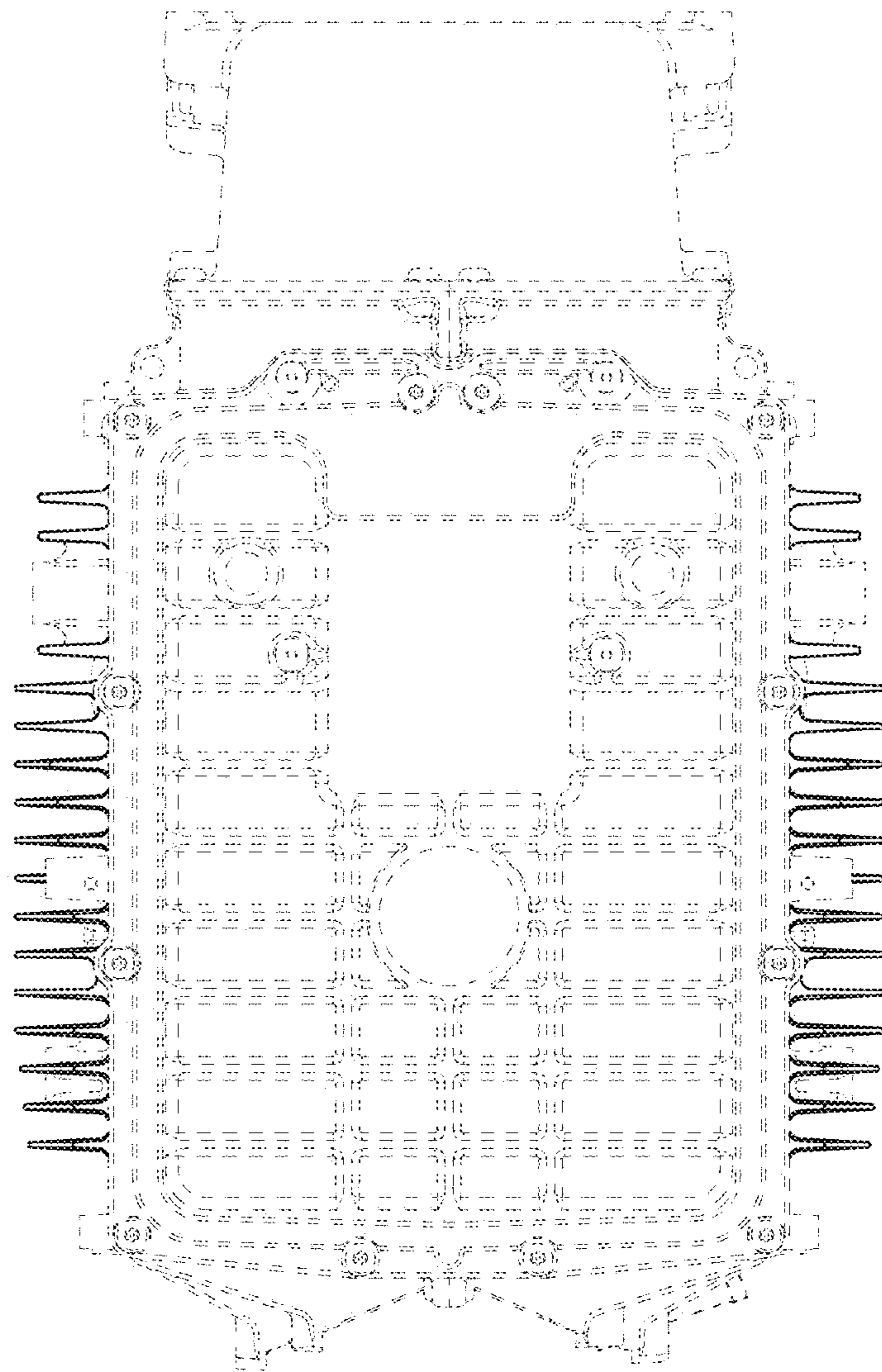


FIG. 3

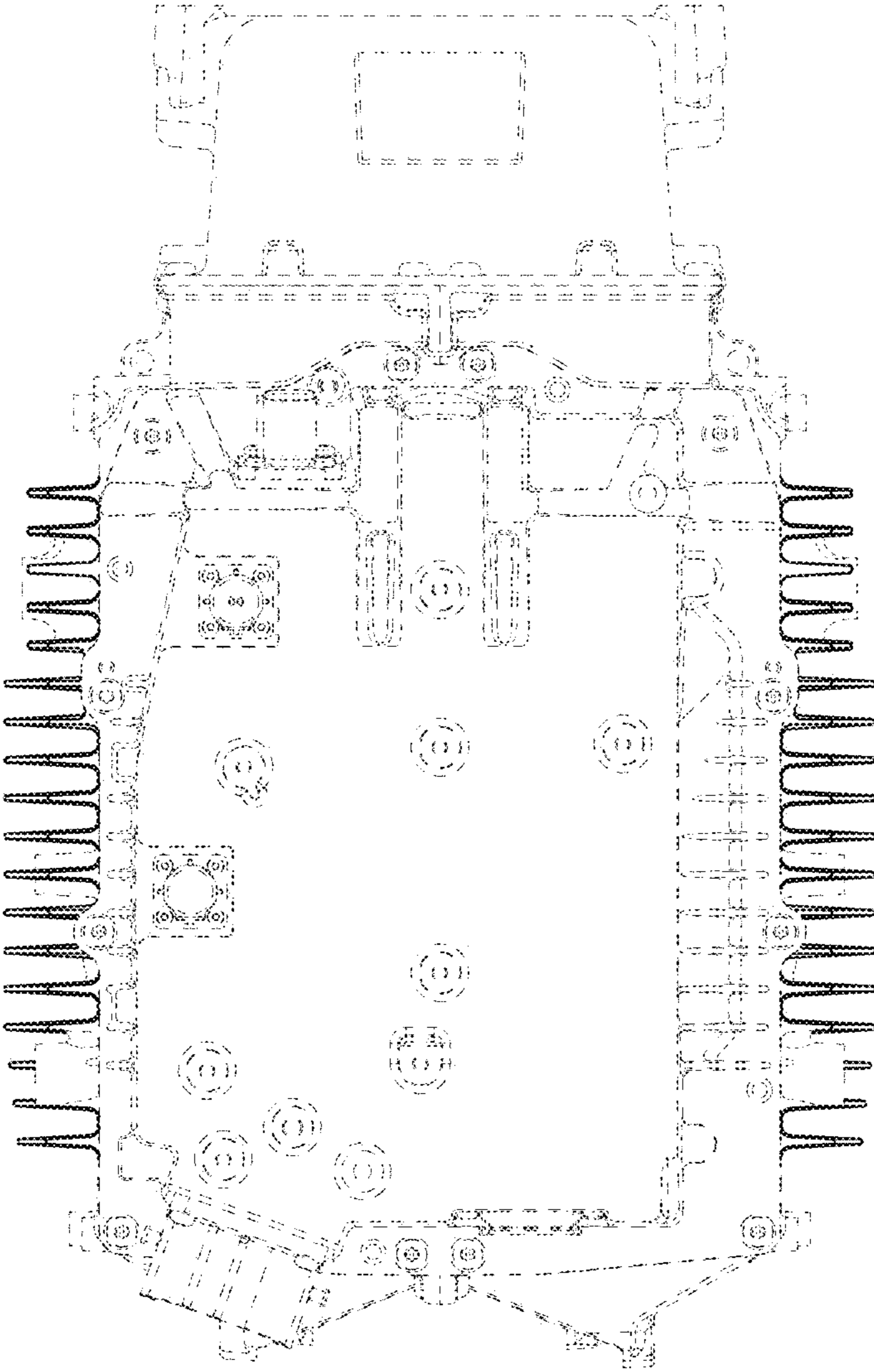


FIG. 4

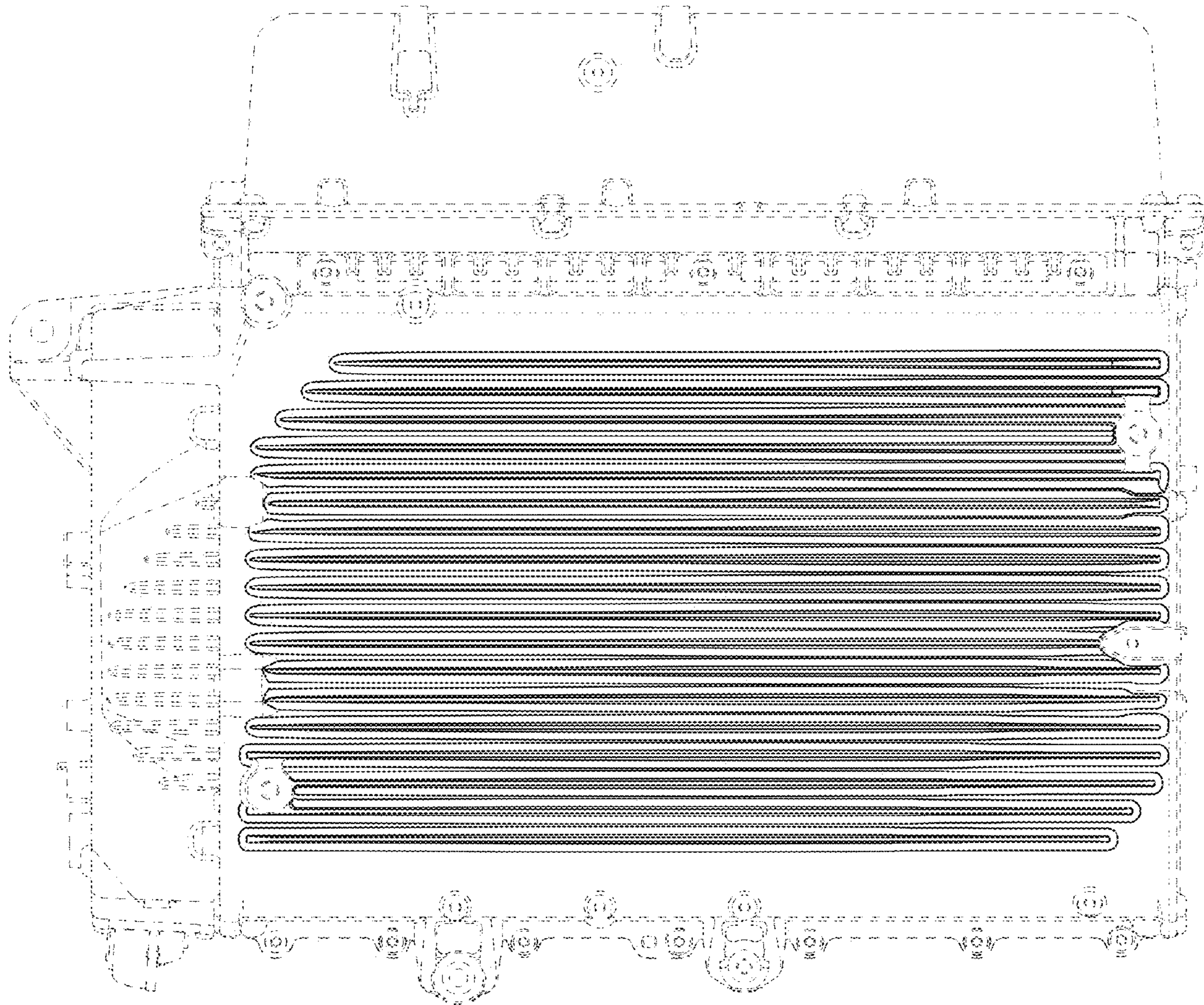


FIG. 5

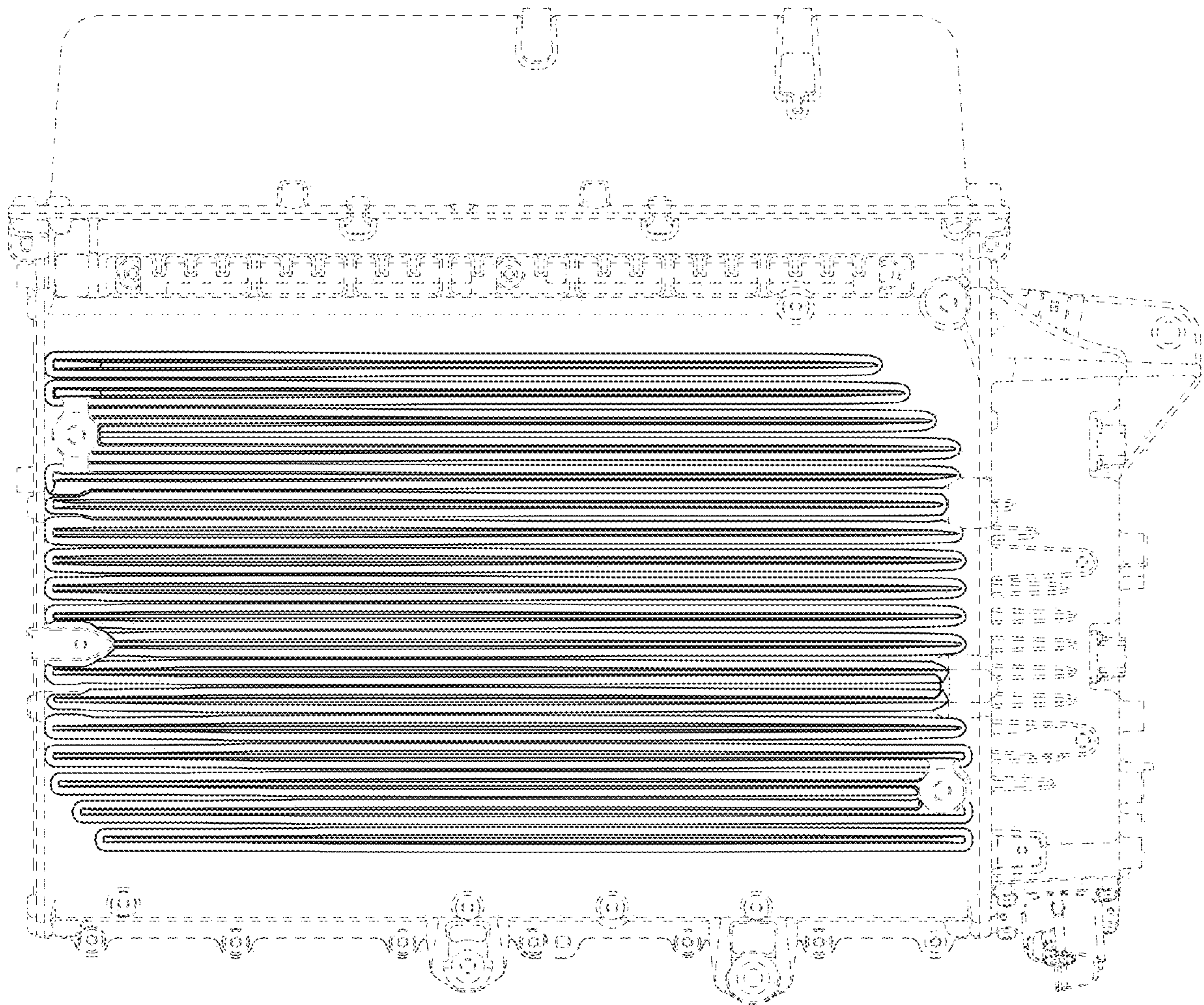


FIG. 6

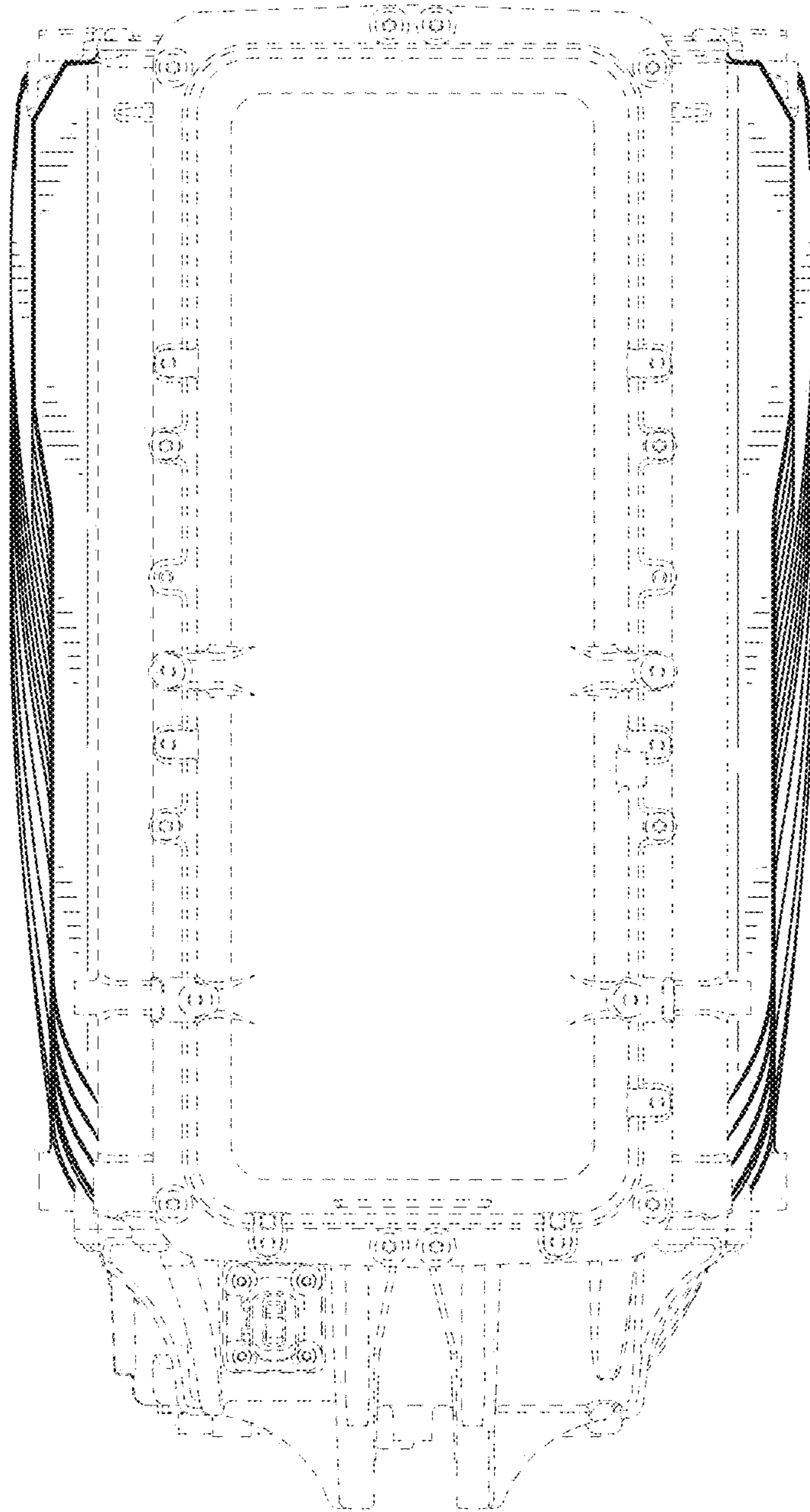


FIG. 7

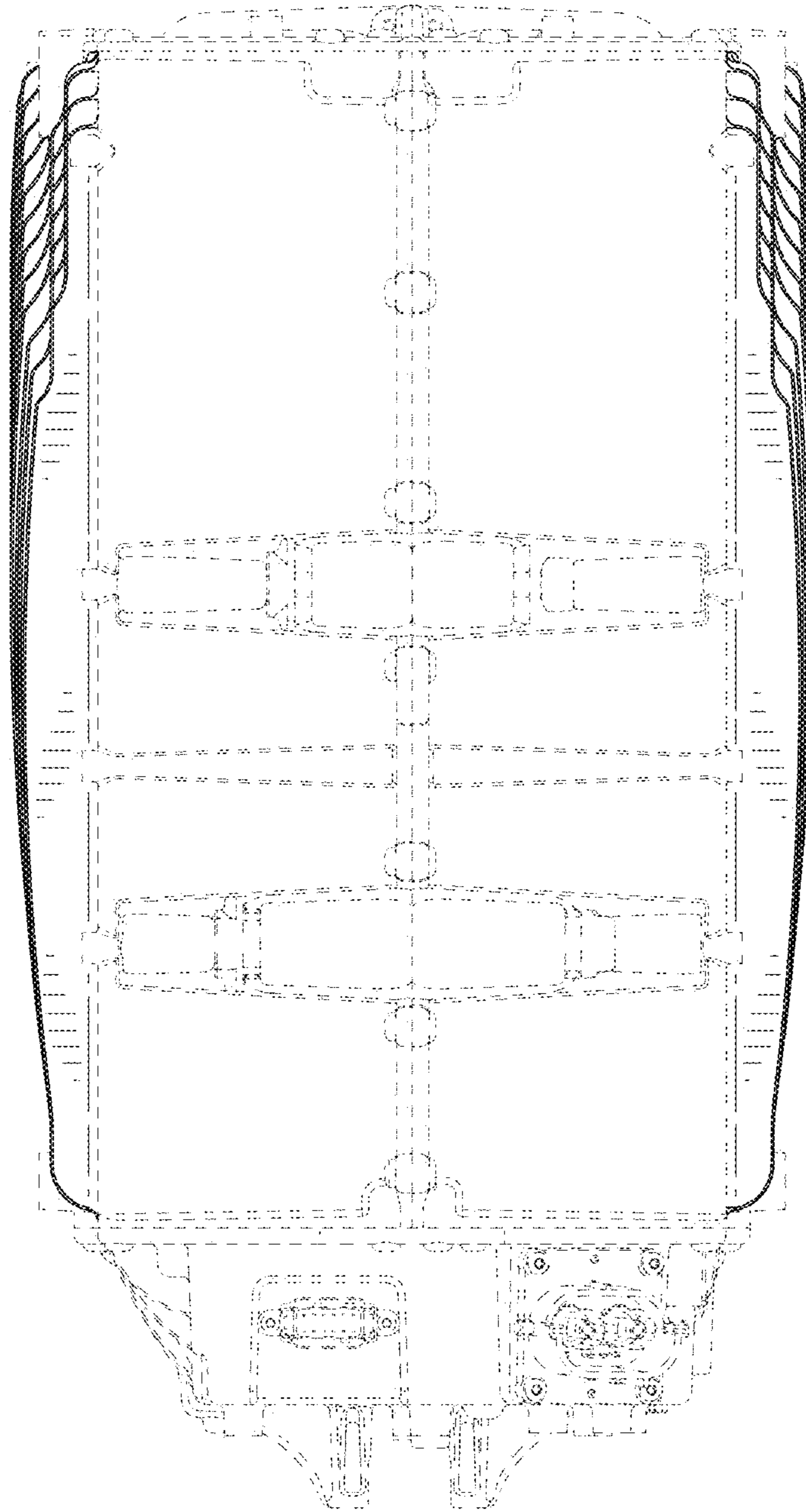


FIG. 8

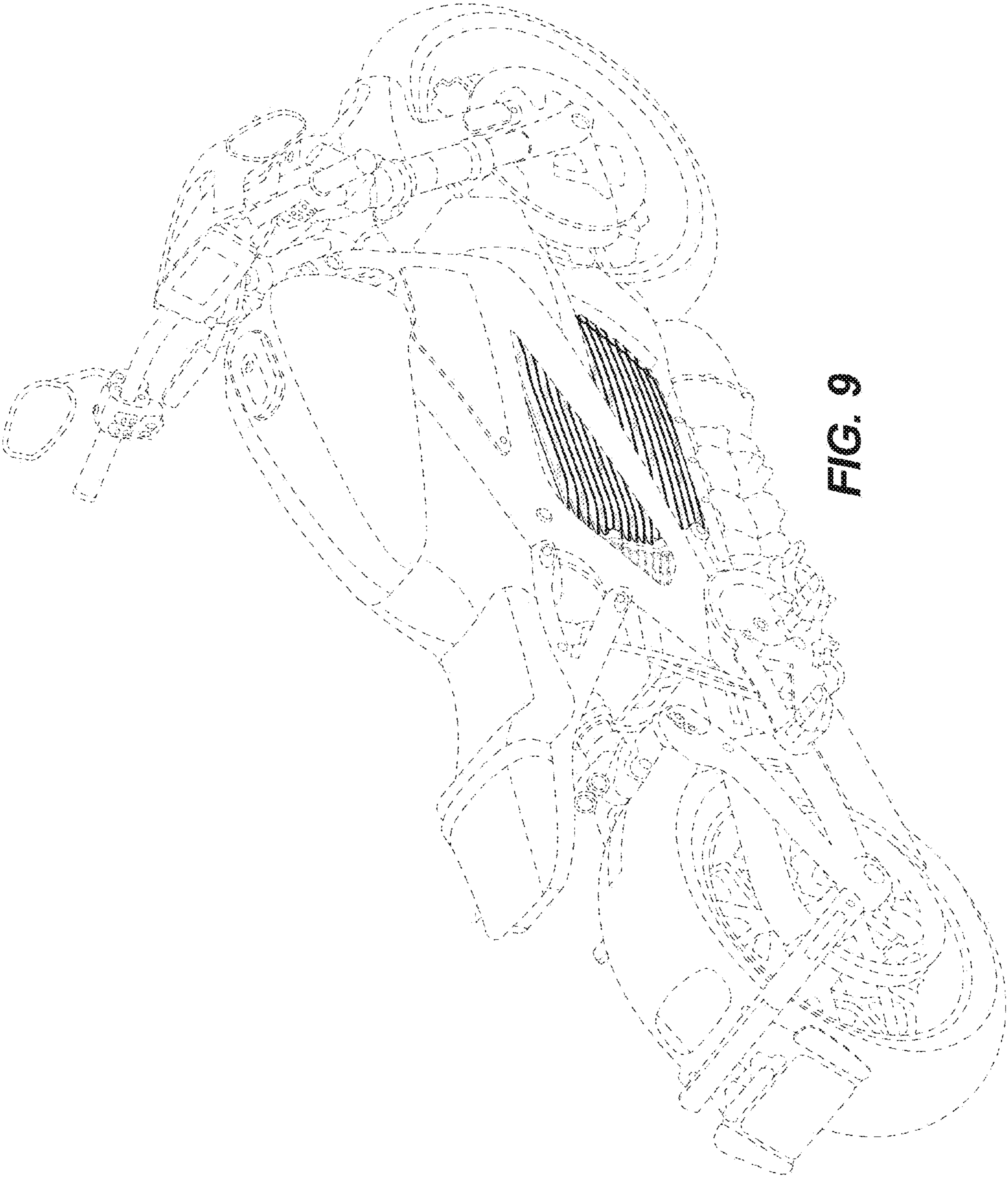


FIG. 9