



US00D913232S

(12) **United States Design Patent** (10) **Patent No.:** **US D913,232 S**
Koval et al. (45) **Date of Patent:** **** Mar. 16, 2021**

(54) **BATTERY ORGANIZER CASE**

(71) Applicant: **TBOKS LLC**, Brooklyn, NY (US)
(72) Inventors: **Ben Koval**, Brooklyn, NY (US); **Ari Katz**, Brooklyn, NY (US); **Sam Shick**, Brooklyn, NY (US)
(73) Assignee: **TBOKS LLC**, Brooklyn, NY (US)
(**) Term: **15 Years**

(21) Appl. No.: **29/641,535**
(22) Filed: **Mar. 22, 2018**
(51) **LOC (13) Cl.** **13-02**
(52) **U.S. Cl.**
USPC **D13/119**
(58) **Field of Classification Search**
USPC D3/303, 313; D13/103-110, 118-121, D13/184, 199
CPC H01M 2/1022; H01M 2/105
See application file for complete search history.

(56) **References Cited**

U.S. PATENT DOCUMENTS

D351,503 S	*	10/1994	Bach	D3/273
D391,078 S	*	2/1998	Jacober	D3/304
D413,442 S	*	9/1999	Jacober	D3/304
D468,688 S	*	1/2003	Helman	D13/119
D485,810 S	*	1/2004	Fiocchi	D13/184
D720,696 S	*	1/2015	Huang	D13/119
D762,577 S	*	8/2016	Ovadia	D13/119
D771,574 S	*	11/2016	Hultquist	D13/156
D825,465 S	*	8/2018	Deng	D13/119
D886,738 S	*	6/2020	Huang	D13/119

OTHER PUBLICATIONS

Amazon.com. The Battery Organizer Storage Case. <https://www.amazon.com/The-Battery-Organizer/> (Year: 2018).*

* cited by examiner

Primary Examiner — Jennifer O King

(74) *Attorney, Agent, or Firm* — Notaro, Michalos & Zaccaria P.C.

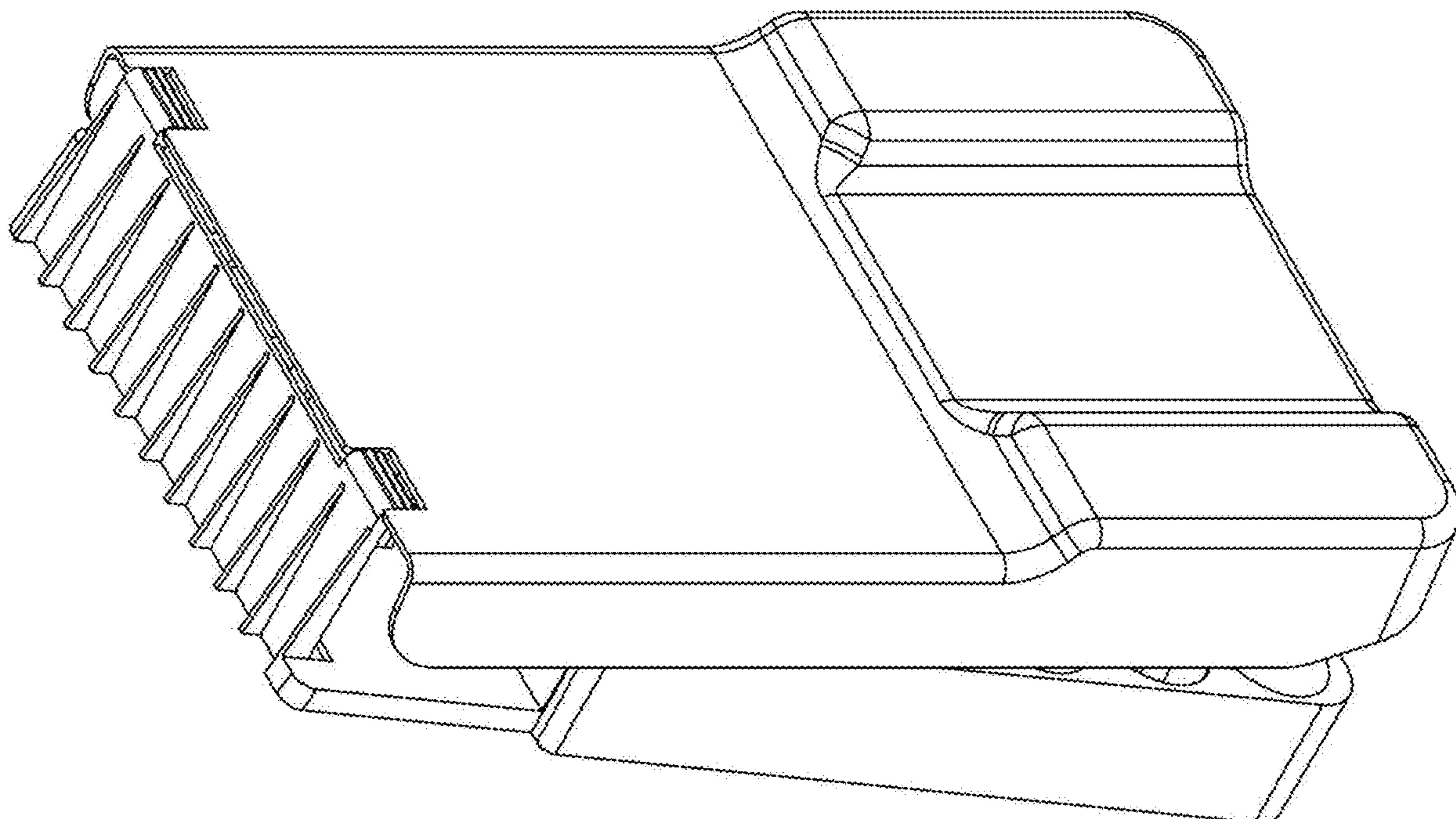
(57) **CLAIM**

The ornamental design for a battery organizer case, as shown and described.

DESCRIPTION

FIG. 1 is a top, rear, right perspective view of a battery organizer case with a cover in a slight opened position showing our design therefor;
FIG. 2 is a top plan view thereof;
FIG. 3 is a right side elevational view thereof;
FIG. 4 is a left side elevational view thereof;
FIG. 5 is a front side elevational view thereof;
FIG. 6 is a rear elevational view thereof;
FIG. 7 is a bottom plan view thereof.
FIG. 8 is a right, front, bottom perspective view thereof;
FIG. 9 is a right, rear, bottom perspective view thereof;
FIG. 10 is a top, front, right perspective view thereof;
FIG. 11 is a bottom, rear, left perspective view thereof; and,
FIG. 12 is bottom, front, left perspective view thereof.

1 Claim, 10 Drawing Sheets



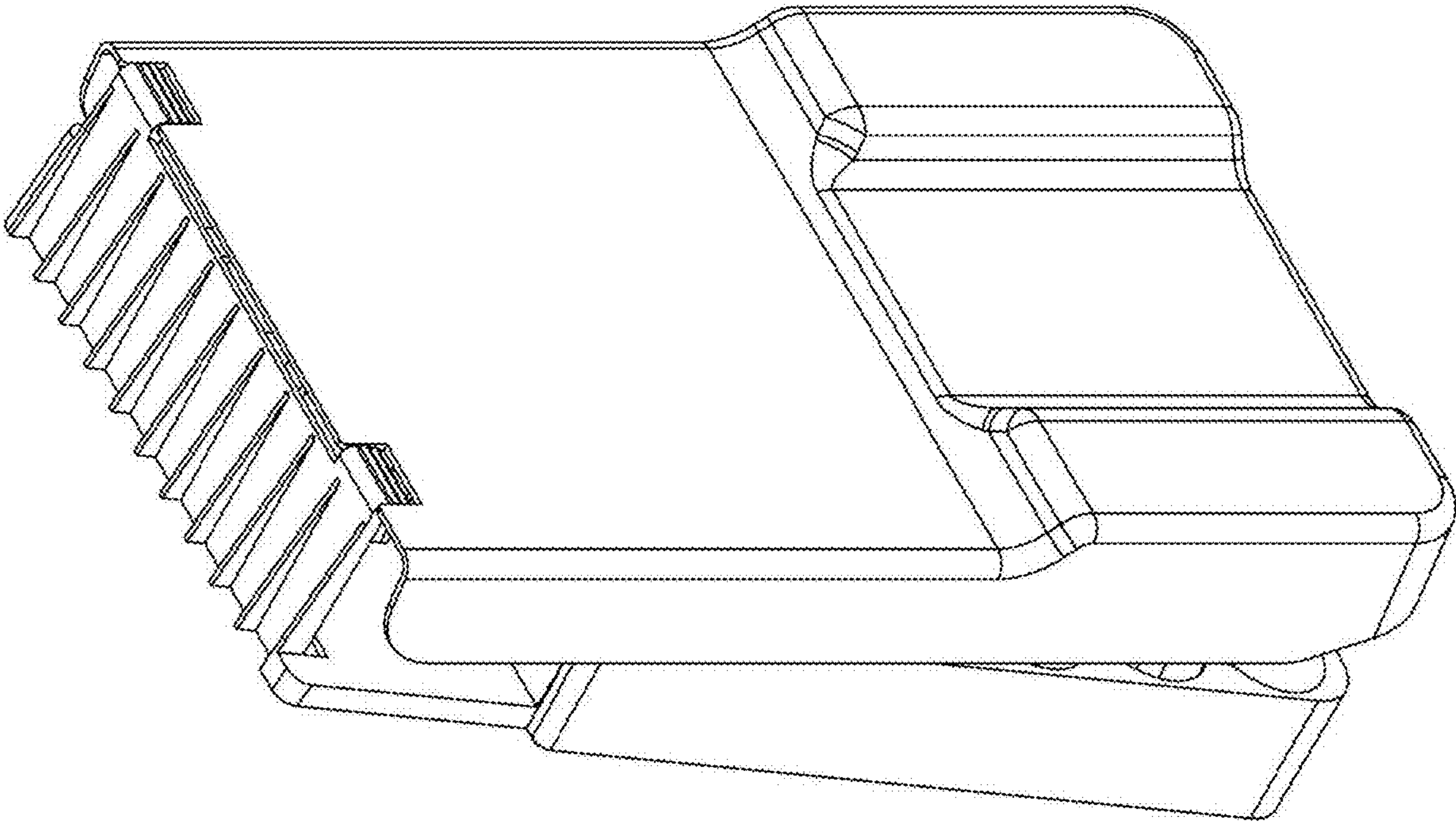


FIG. 1

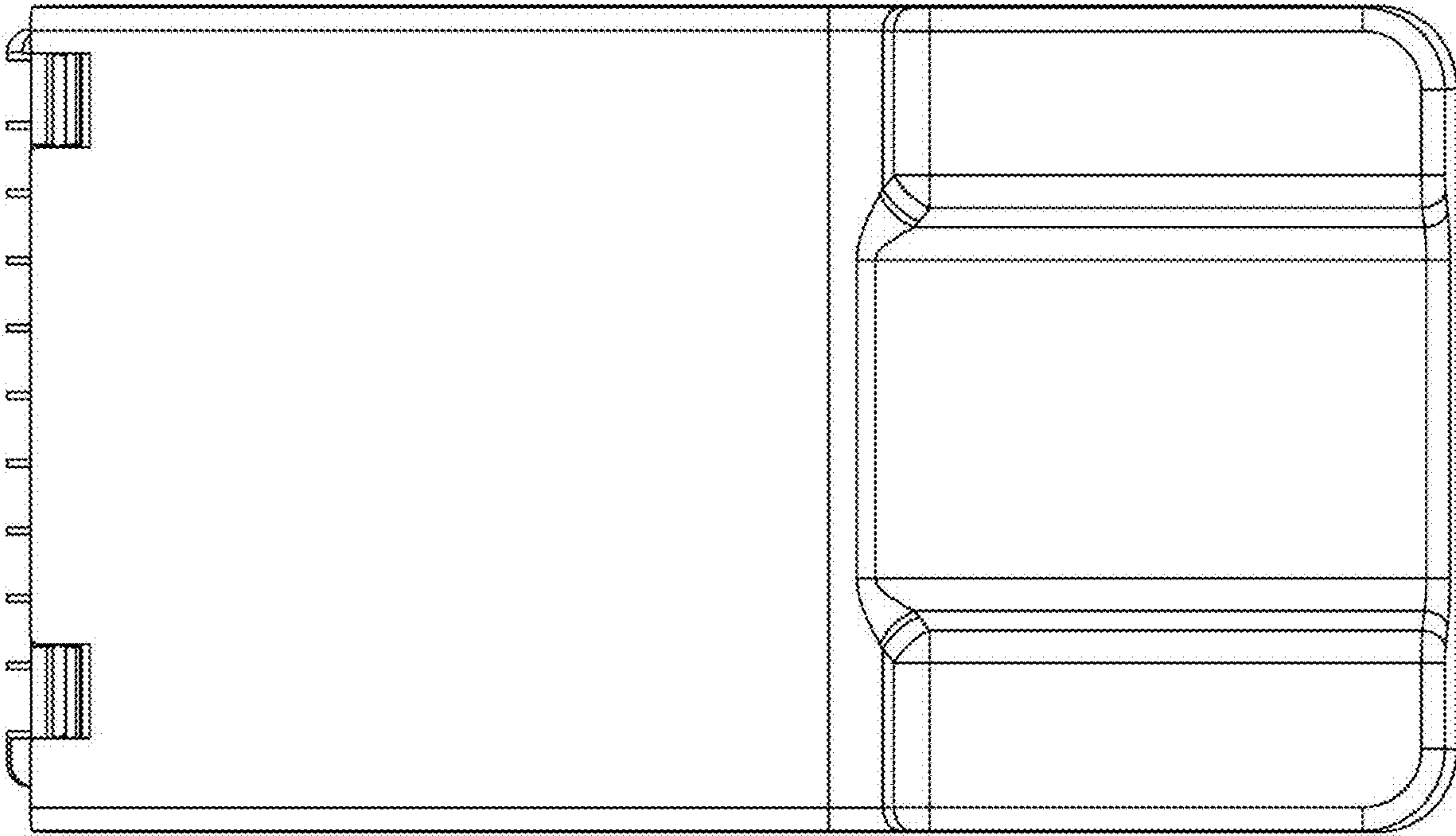


FIG. 2

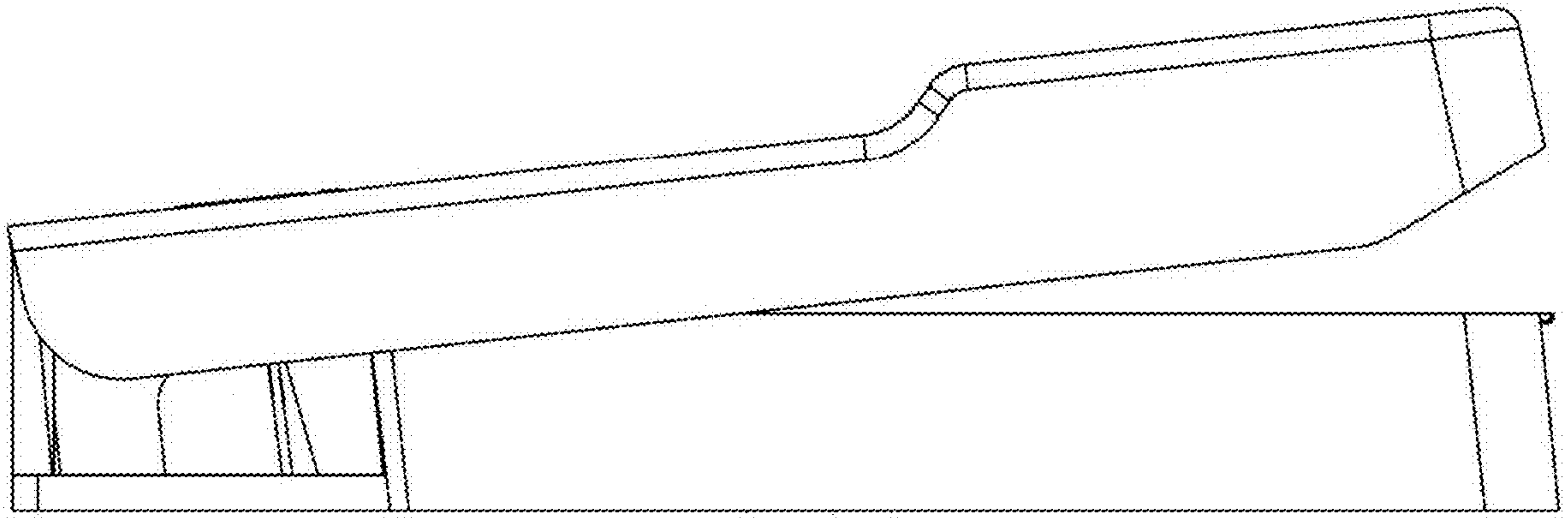


FIG. 3

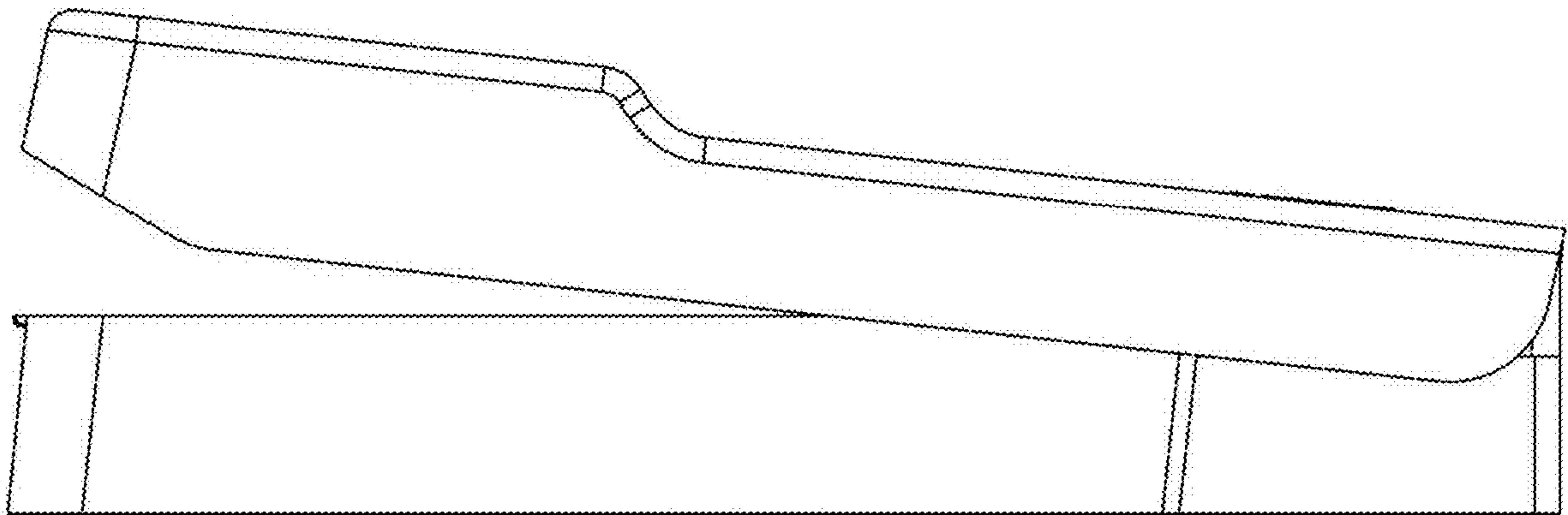


FIG. 4

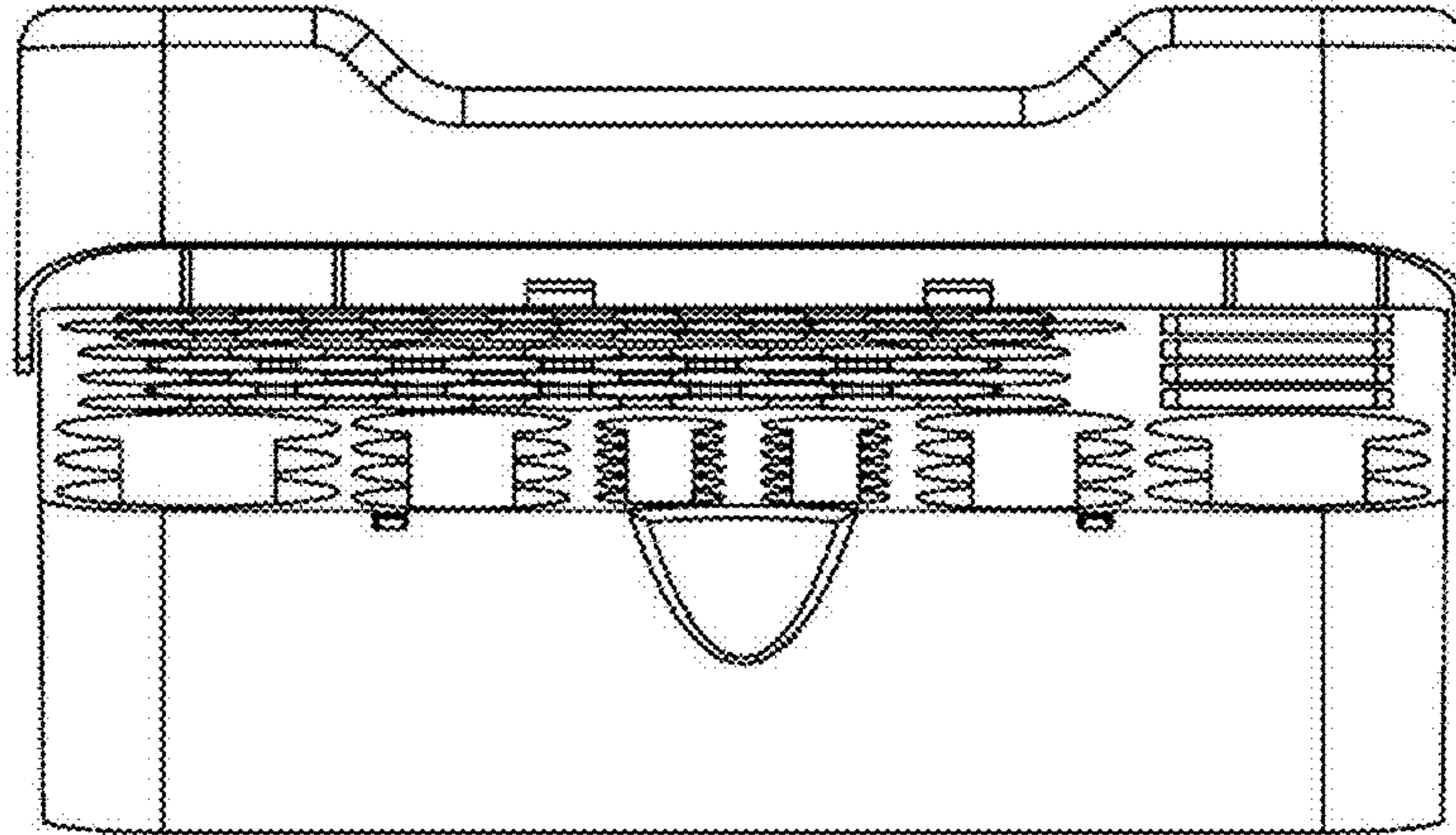


FIG. 5

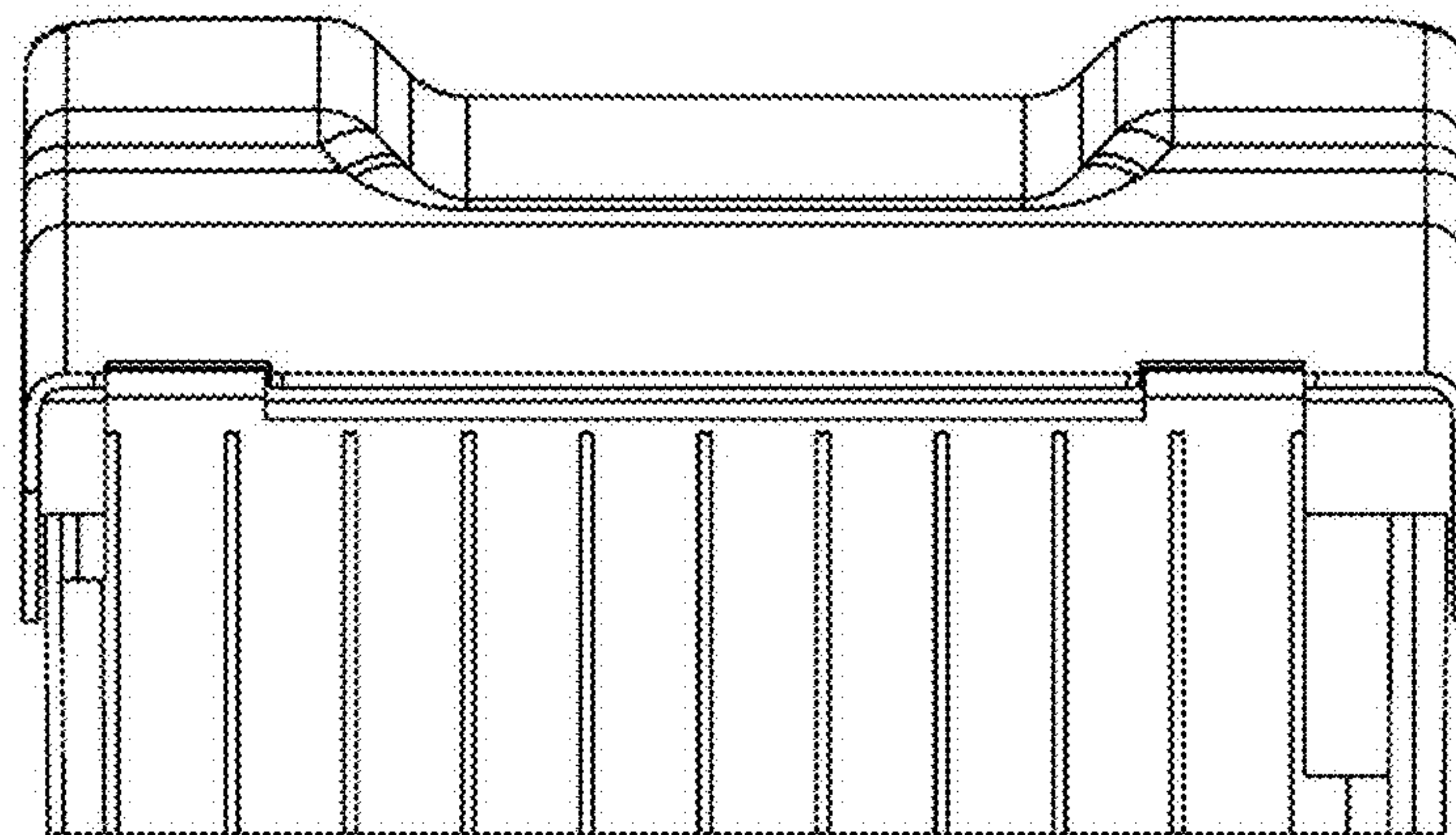


FIG. 6

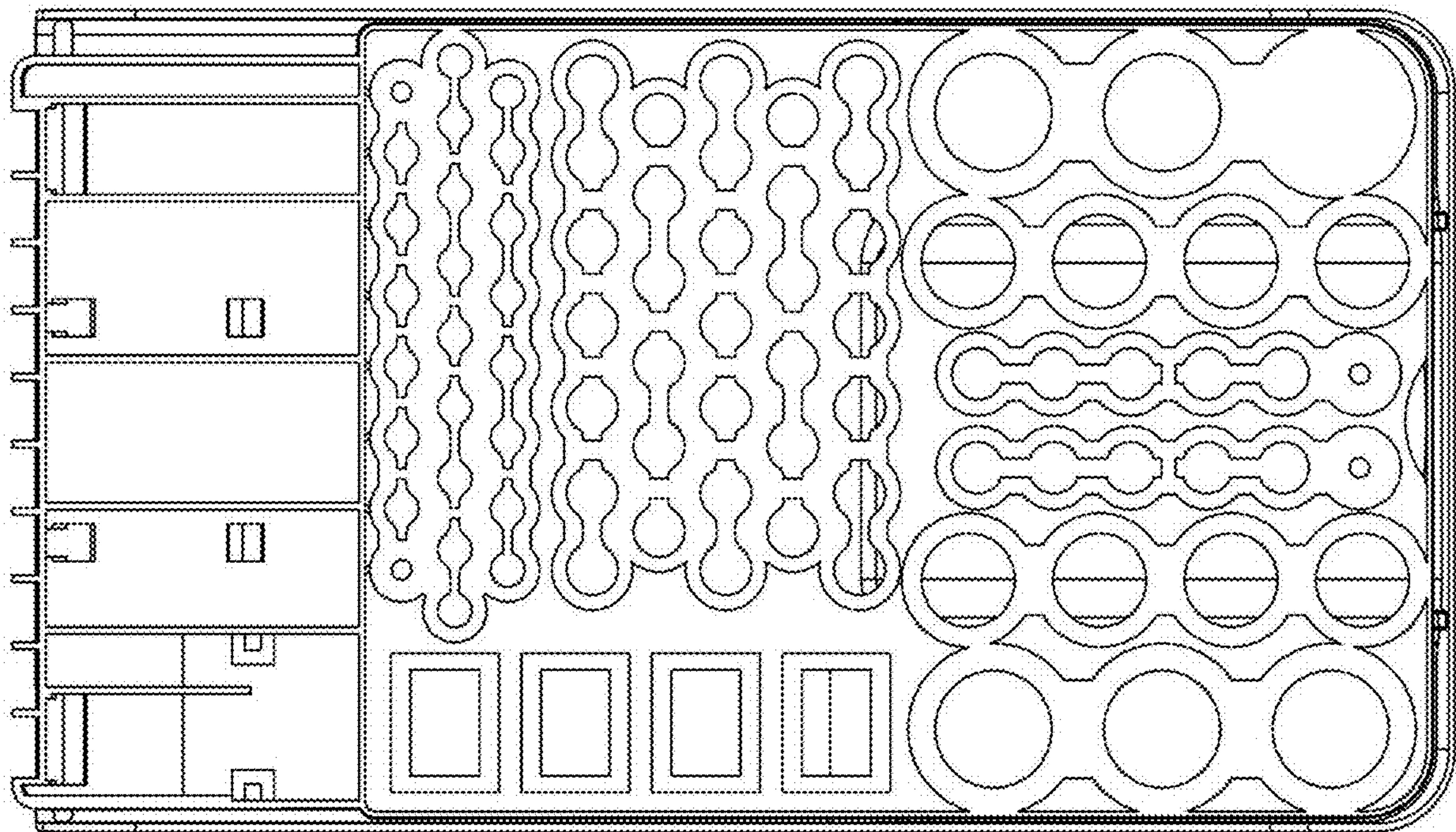


FIG. 7

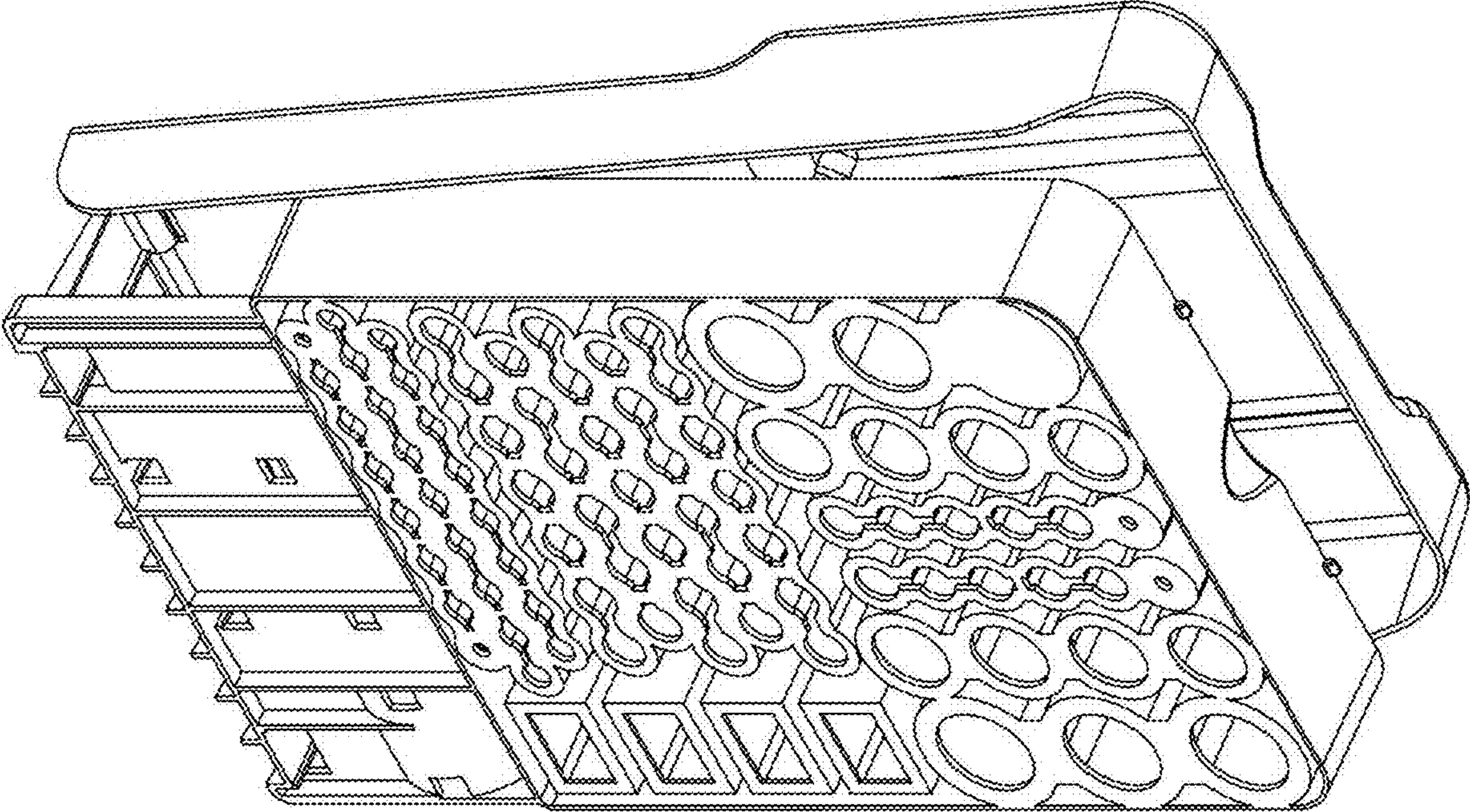


FIG. 8

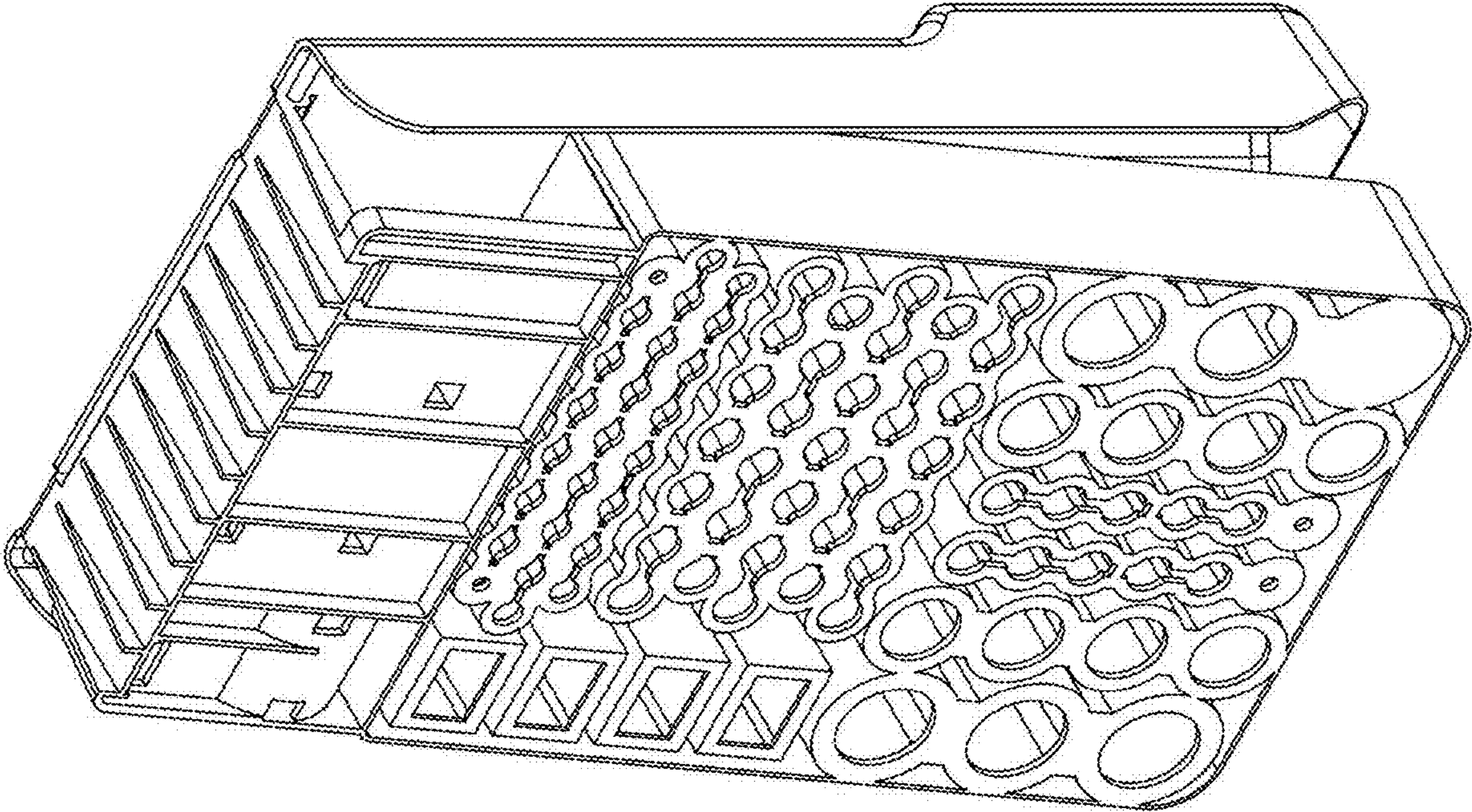


FIG. 9

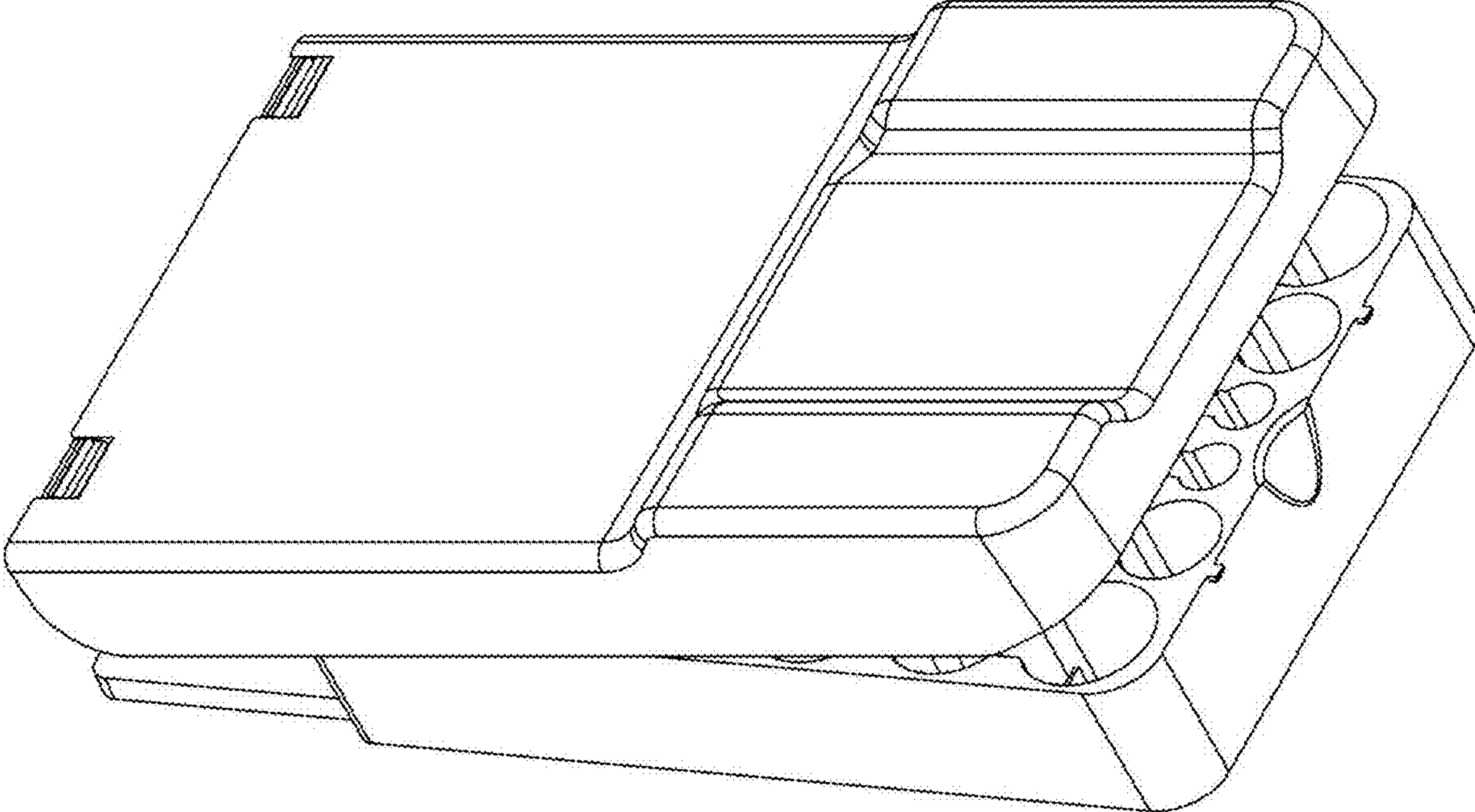


FIG. 10

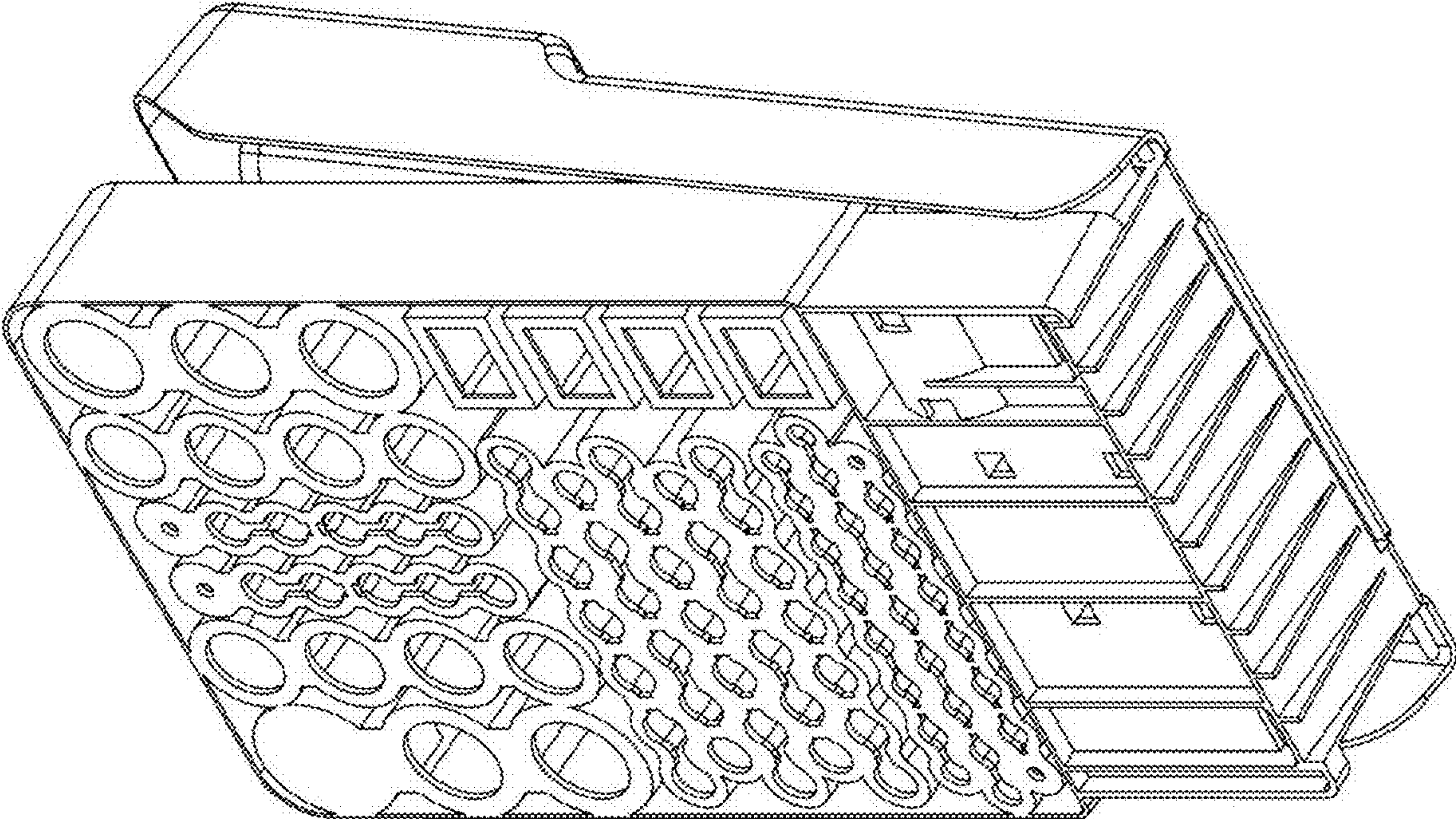


FIG. 11

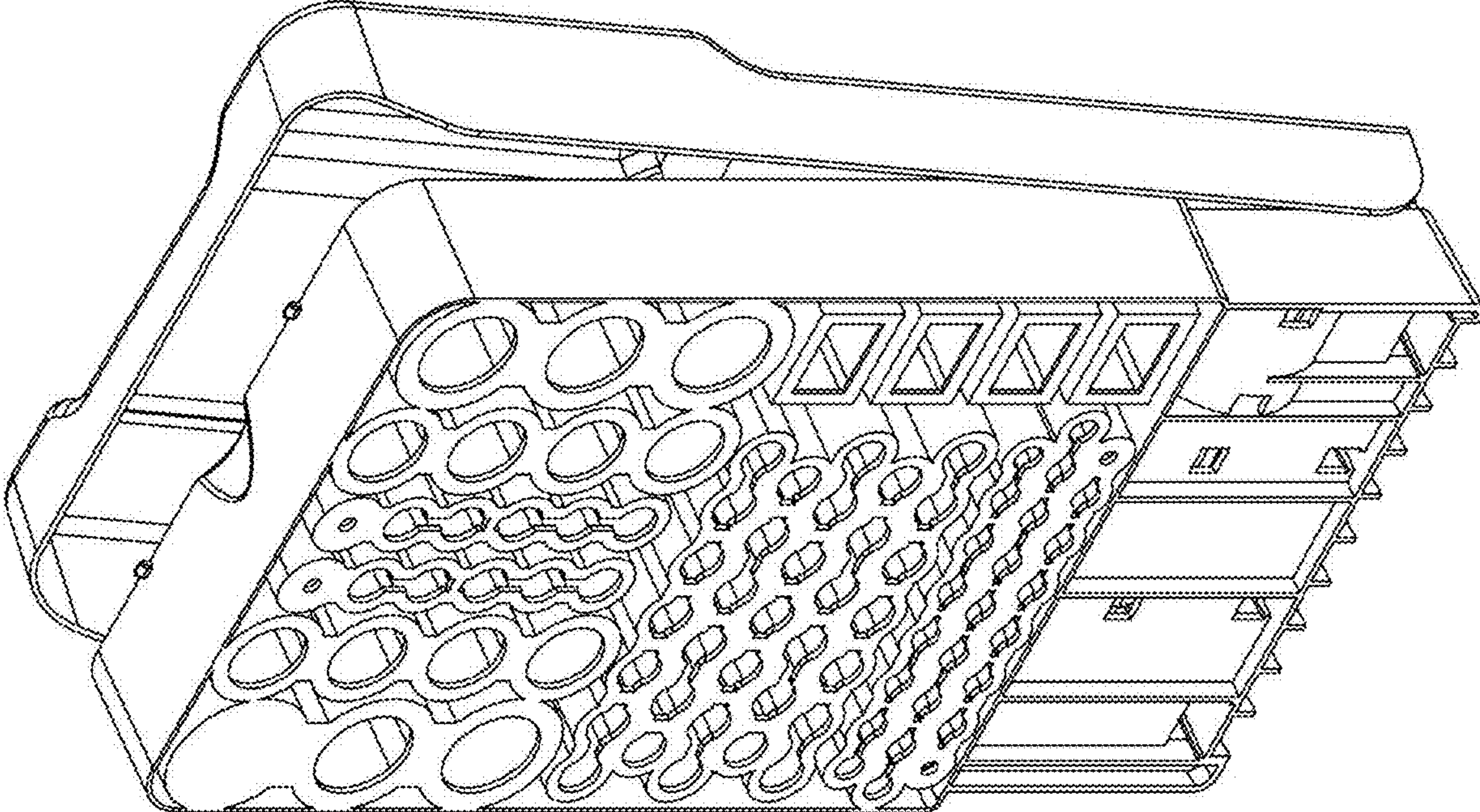


FIG. 12