



US00D913230S

(12) **United States Design Patent**
Kobayashi

(10) **Patent No.:** **US D913,230 S**
(45) **Date of Patent:** **** Mar. 16, 2021**

(54) **HEATER FOR HEATING SEMICONDUCTOR WAFER**

D423,028 S *	4/2000	Okura	D15/199
6,080,970 A *	6/2000	Yoshida	C23C 14/541
				118/725
8,610,034 B2 *	12/2013	Suzuki	C30B 25/10
				219/444.1
D706,714 S *	6/2014	Laurino	D13/117
D797,690 S *	9/2017	Furutani	D13/182
D839,224 S *	1/2019	Yamaki	D13/182
2006/0096972 A1 *	5/2006	Nakamura	H01L 21/67103
				219/444.1

(71) Applicant: **Tokyo Electron Limited**, Tokyo (JP)

(72) Inventor: **Toshiki Kobayashi**, Tokyo (JP)

(73) Assignee: **TOKYO ELECTRON LIMITED**,
Tokyo (JP)

(**) Term: **15 Years**

* cited by examiner

(21) Appl. No.: **29/709,589**

Primary Examiner — Derrick E Holland

(22) Filed: **Oct. 15, 2019**

(74) *Attorney, Agent, or Firm* — Fenwick & West LLP

(30) **Foreign Application Priority Data**

Apr. 24, 2019 (JP) 2019-009164

(51) **LOC (13) Cl.** **13-02**

(52) **U.S. Cl.**
USPC **D13/117**

(58) **Field of Classification Search**
USPC D13/110, 117, 118, 182, 199; D7/388,
D7/407; D23/415, 417, 419
CPC H01L 21/67109; H05B 3/24; H05B 3/68;
H05B 3/76; H05B 3/143; H05B 3/283;
C23C 14/541; C23C 16/46

See application file for complete search history.

(56) **References Cited**

U.S. PATENT DOCUMENTS

D402,156 S * 12/1998 Meyer D7/407
D410,438 S * 6/1999 Ishii D13/182

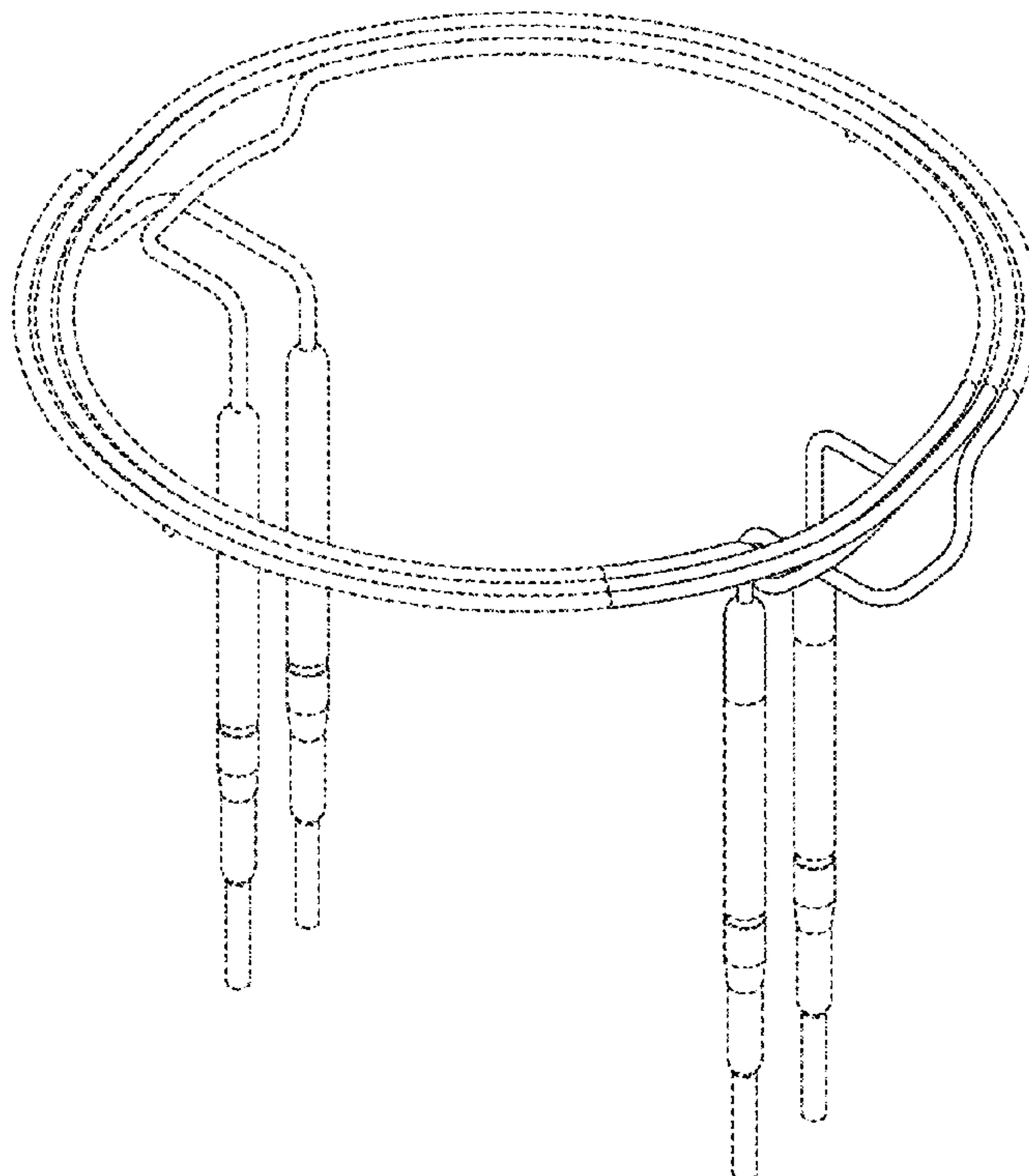
(57) **CLAIM**

The ornamental design for a heater for heating semiconductor wafer, as shown and described.

DESCRIPTION

FIG. 1 is a perspective view of a heater for heating semiconductor wafer, showing my new design;
FIG. 2 is a front view thereof;
FIG. 3 is a rear view thereof;
FIG. 4 is a left side view thereof;
FIG. 5 is a right side view thereof;
FIG. 6 is a top view thereof; and,
FIG. 7 is a bottom view thereof.
The broken lines shown represent the portions of the heater for heating semiconductor wafer that form no part of the claimed design.

1 Claim, 7 Drawing Sheets



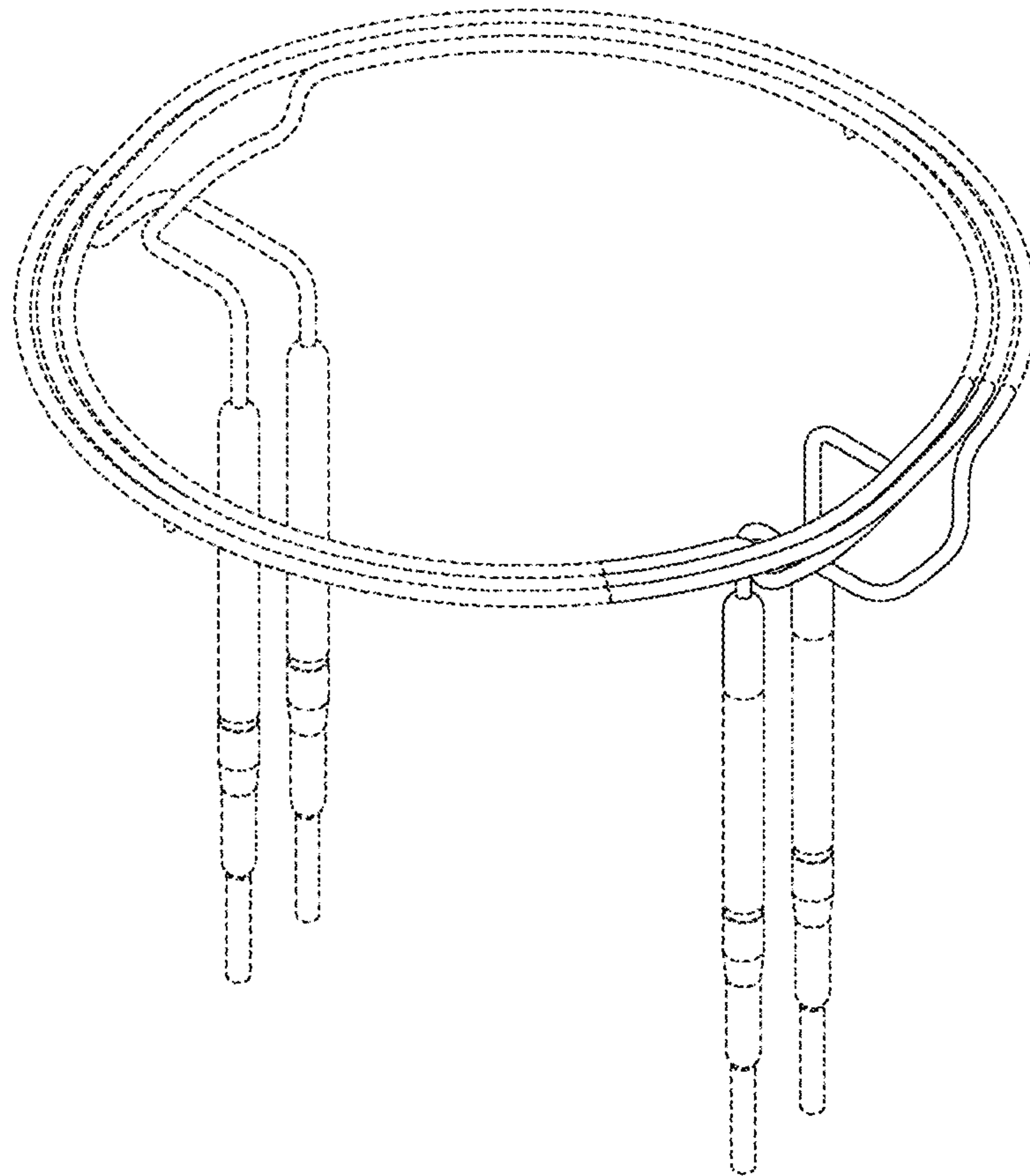


FIG. 1

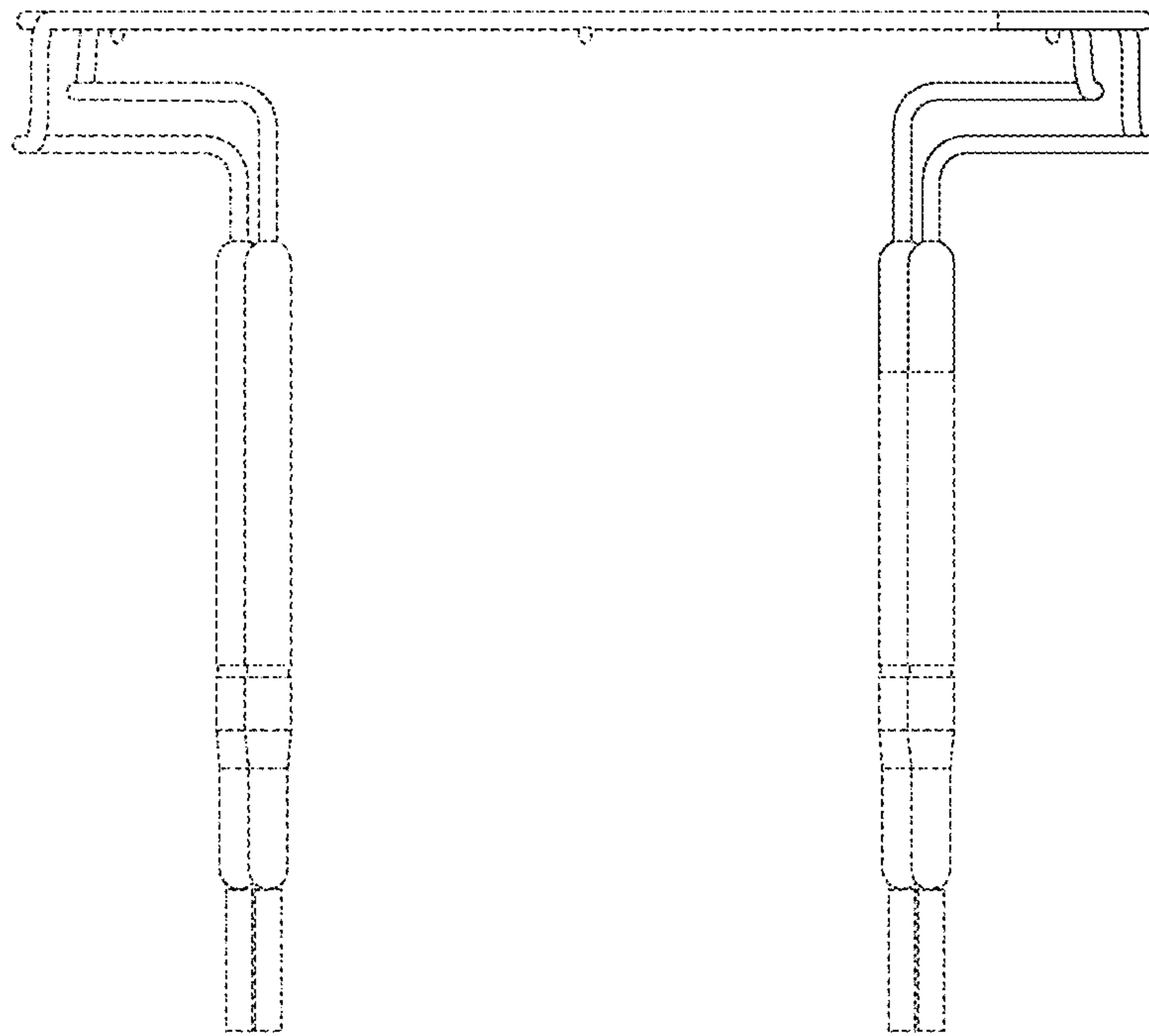


FIG. 2

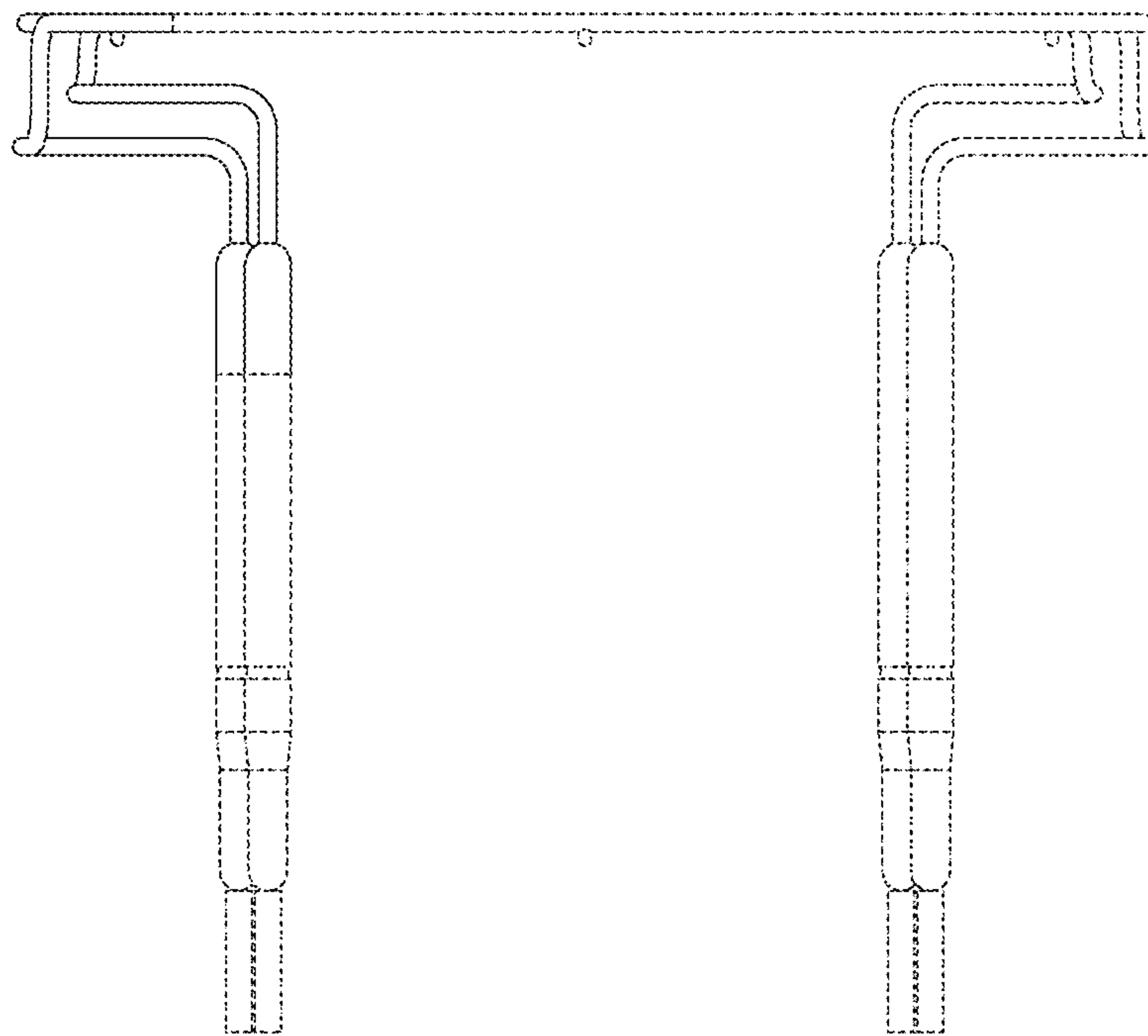


FIG. 3

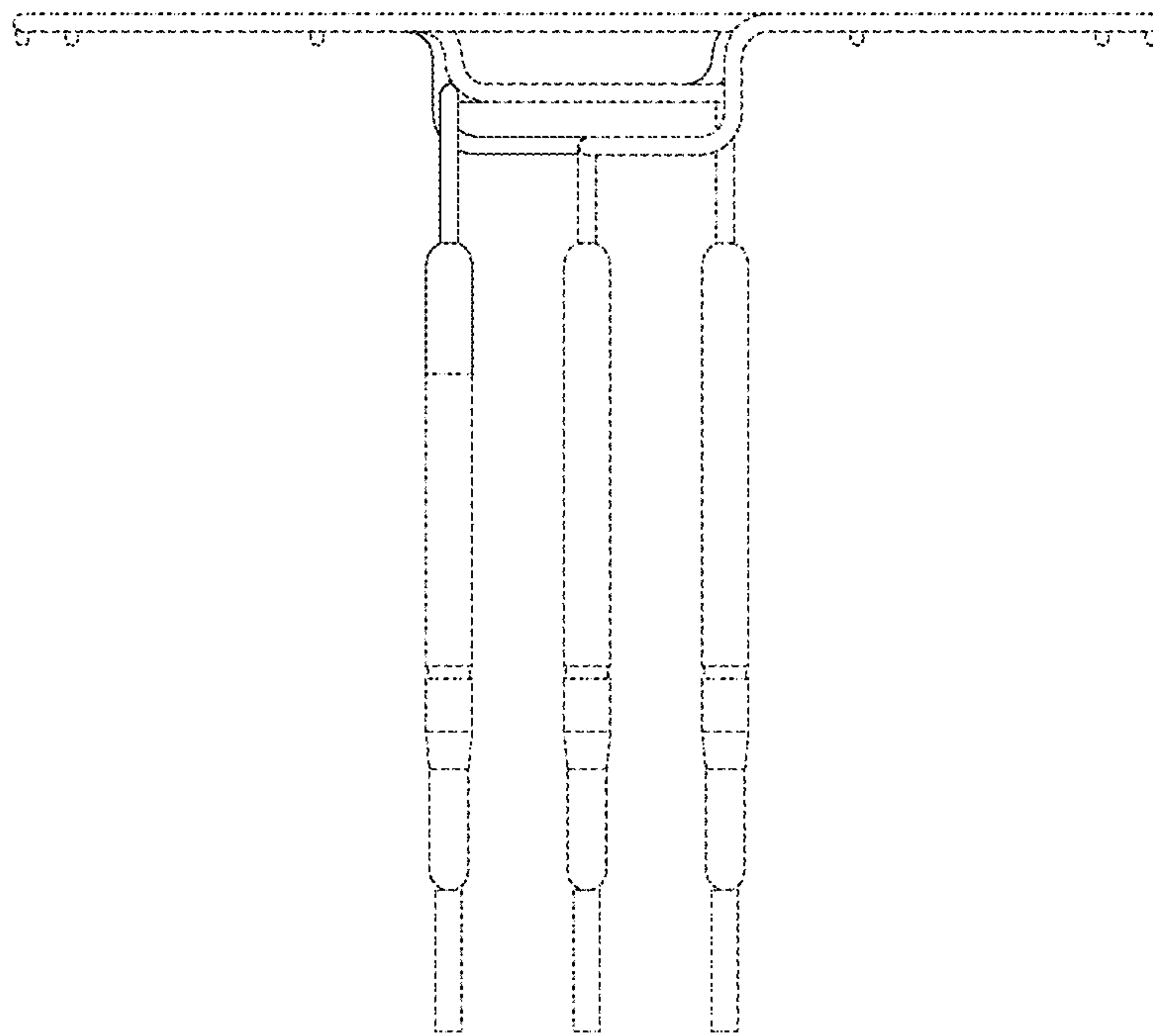


FIG. 4

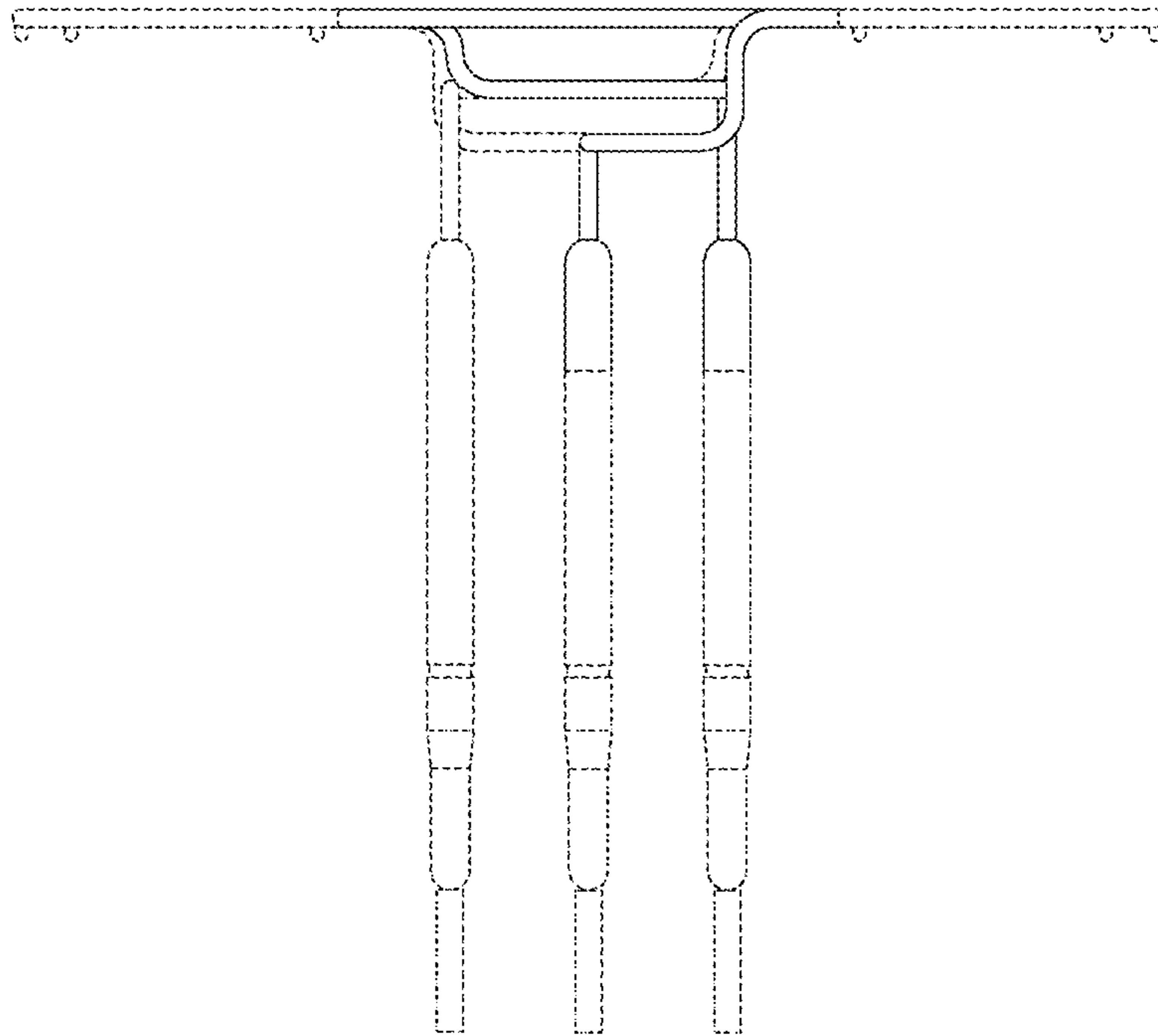


FIG. 5

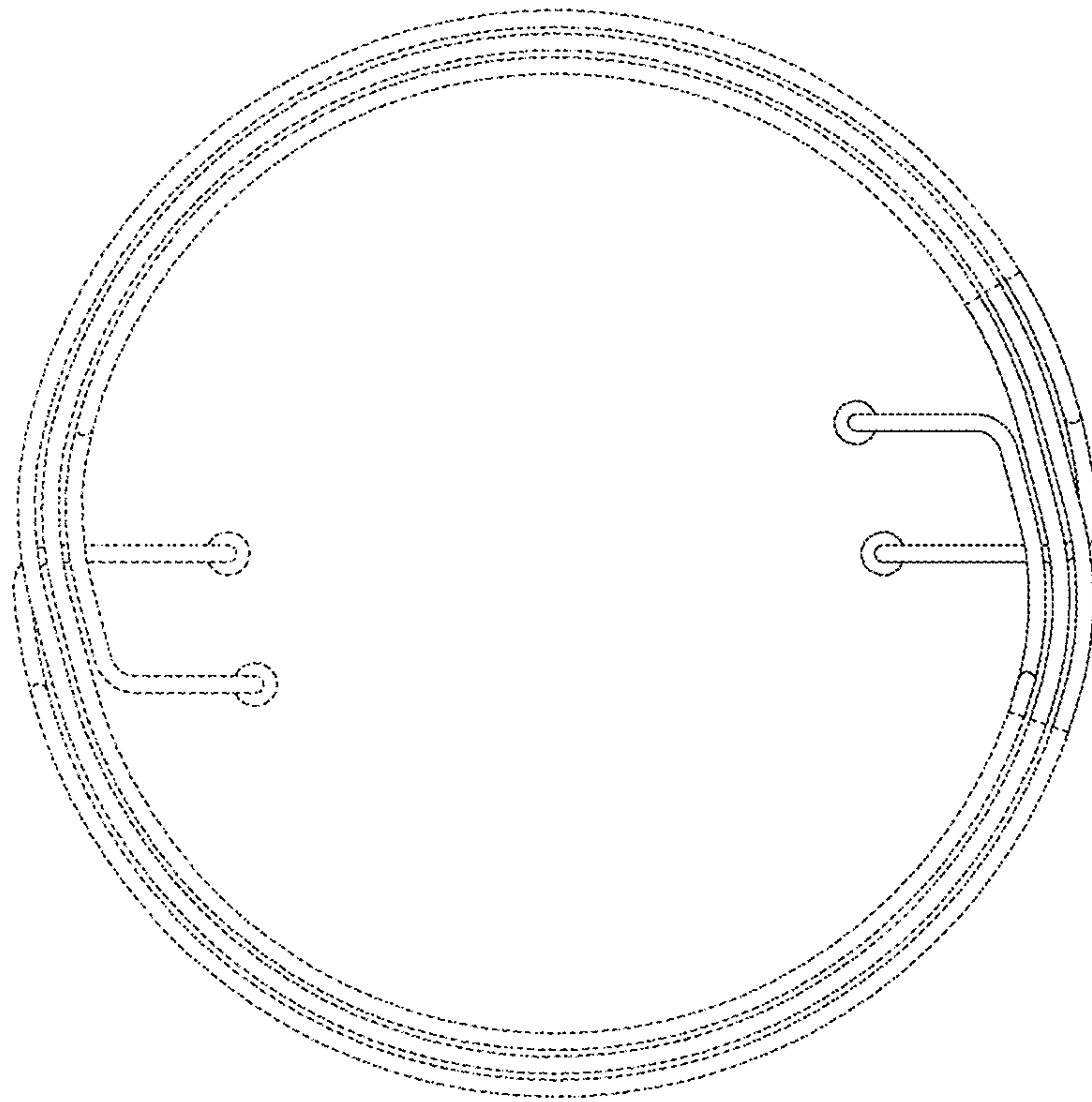


FIG. 6

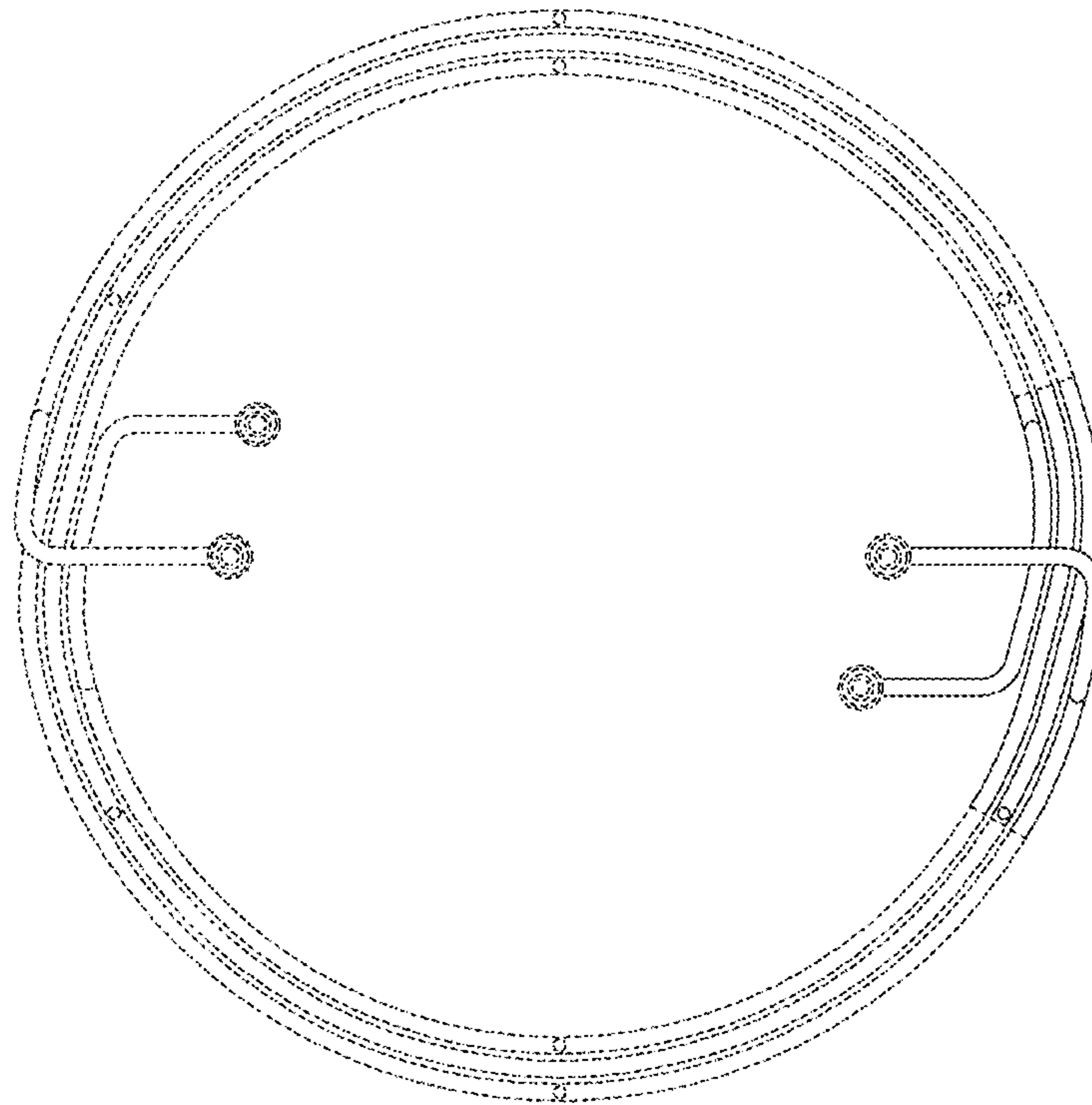


FIG. 7