



US00D913229S

(12) **United States Design Patent**
Kobayashi

(10) **Patent No.:** **US D913,229 S**

(45) **Date of Patent:** **** Mar. 16, 2021**

(54) **HEATER FOR HEATING SEMICONDUCTOR WAFER**

D423,028 S * 4/2000 Okura D15/199
6,080,970 A * 6/2000 Yoshida C23C 14/541
118/725

(71) Applicant: **Tokyo Electron Limited**, Tokyo (JP)

8,610,034 B2 * 12/2013 Suzuki C30B 25/10
219/444.1

(72) Inventor: **Toshiki Kobayashi**, Fuchu (JP)

D706,714 S * 6/2014 Laurino D13/117

D797,690 S * 9/2017 Furutani D13/182

(73) Assignee: **TOKYO ELECTRON LIMITED**,
Tokyo (JP)

D839,224 S * 1/2019 Yamaki D13/182

2006/0096972 A1 * 5/2006 Nakamura H01L 21/67103
219/444.1

(**) Term: **15 Years**

* cited by examiner

(21) Appl. No.: **29/709,587**

Primary Examiner — Derrick E Holland

(22) Filed: **Oct. 15, 2019**

(74) *Attorney, Agent, or Firm* — Fenwick & West LLP

(30) **Foreign Application Priority Data**

Apr. 24, 2019 (JP) 2019-009163

(51) **LOC (13) Cl.** **13-02**

(52) **U.S. Cl.**
USPC **D13/117**

(58) **Field of Classification Search**

USPC D13/110, 117, 118, 182, 199; D7/388,
D7/407; D23/415, 417, 419

CPC H01L 21/67109; H05B 3/24; H05B 3/68;
H05B 3/76; H05B 3/143; H05B 3/283;
C23C 14/541; C23C 16/46

See application file for complete search history.

(56) **References Cited**

U.S. PATENT DOCUMENTS

D402,156 S * 12/1998 Meyer D7/407
D410,438 S * 6/1999 Ishii D13/182

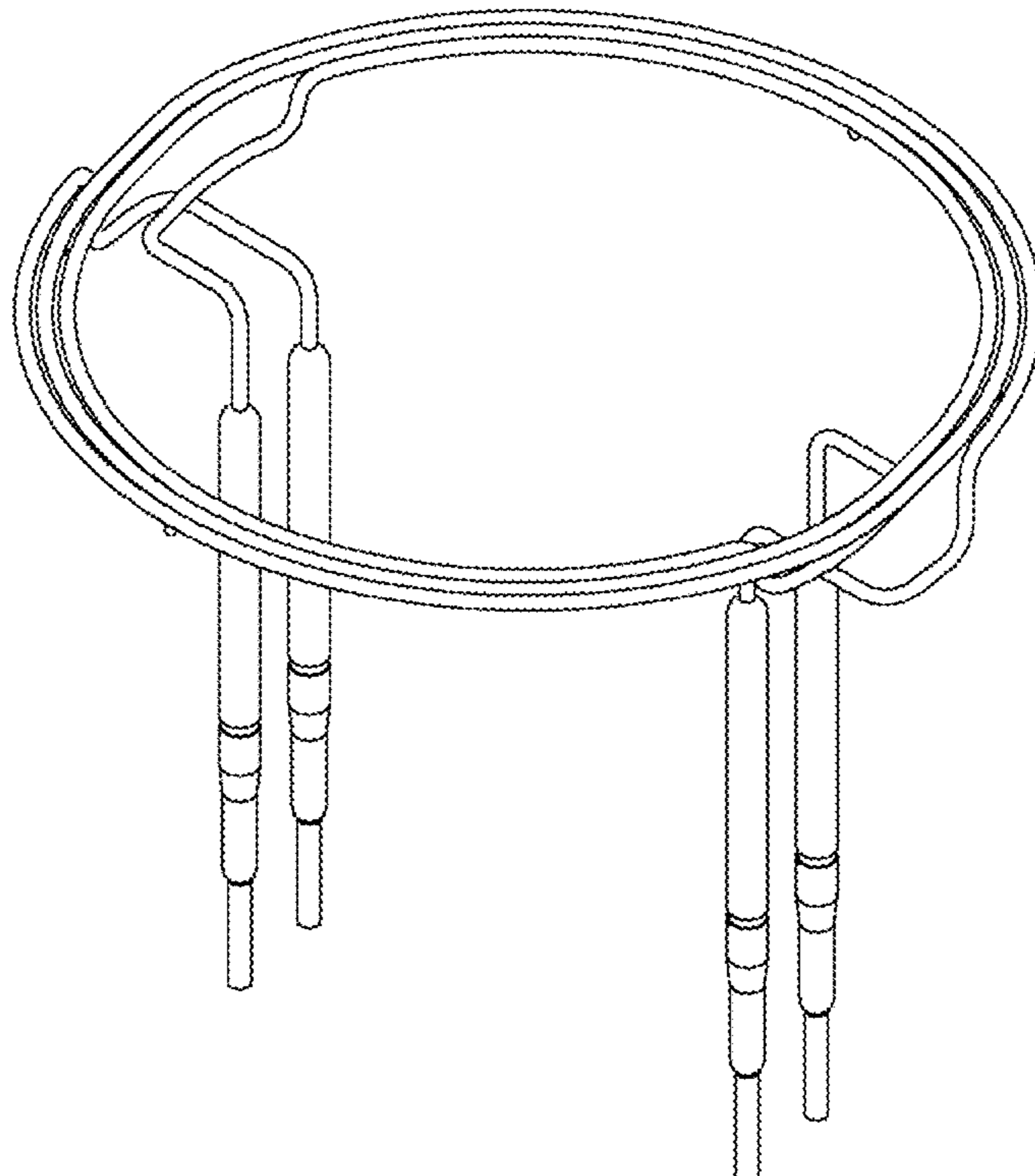
(57) **CLAIM**

The ornamental design for a heater for heating semiconductor wafer, as shown and described.

DESCRIPTION

FIG. 1 is a perspective view of a heater for heating semiconductor wafer, showing my new design;
FIG. 2 is a front view thereof;
FIG. 3 is a rear view thereof;
FIG. 4 is a left side view thereof;
FIG. 5 is a right side view thereof;
FIG. 6 is a top view thereof; and,
FIG. 7 is a bottom view thereof.

1 Claim, 7 Drawing Sheets



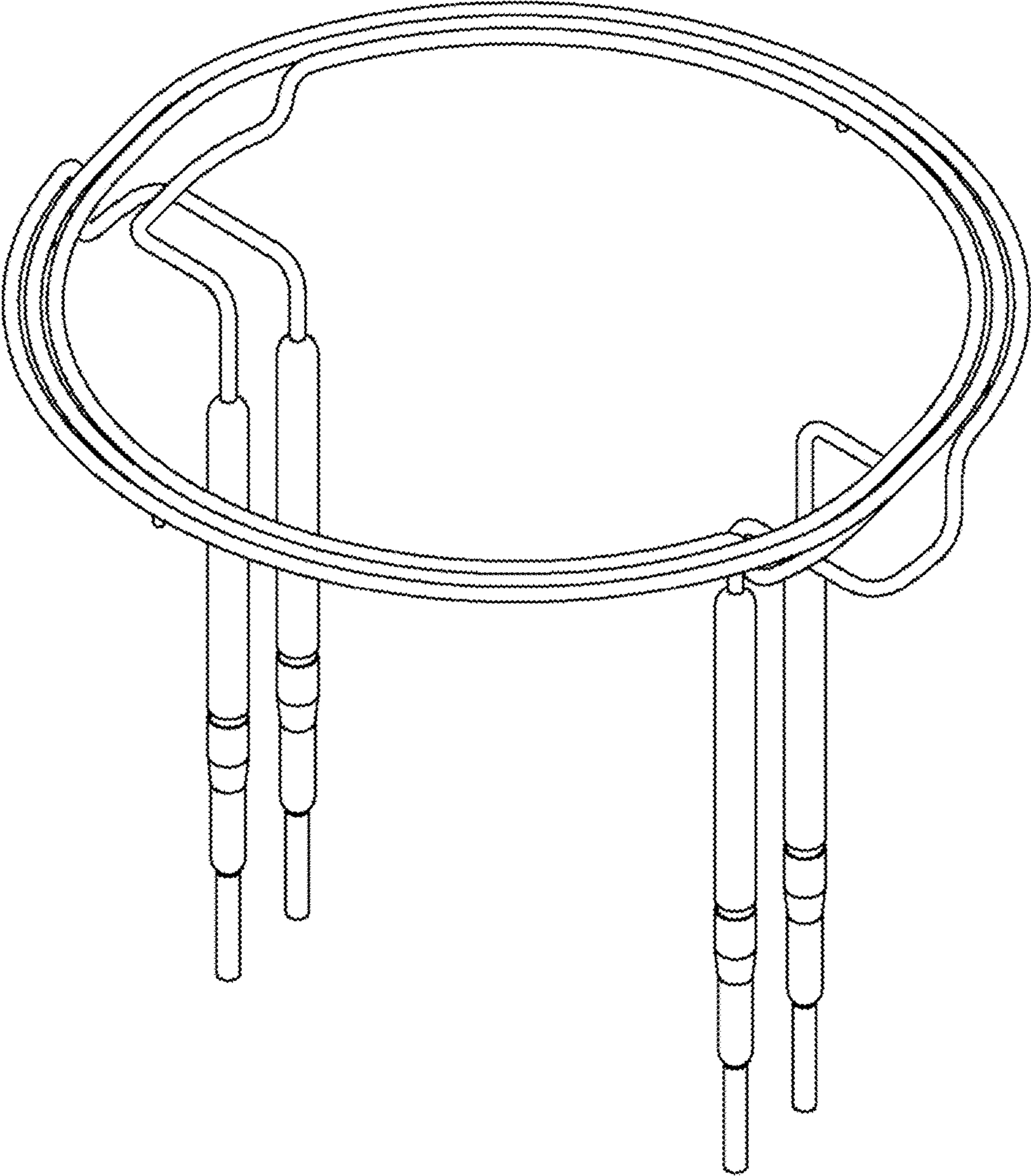


FIG. 1

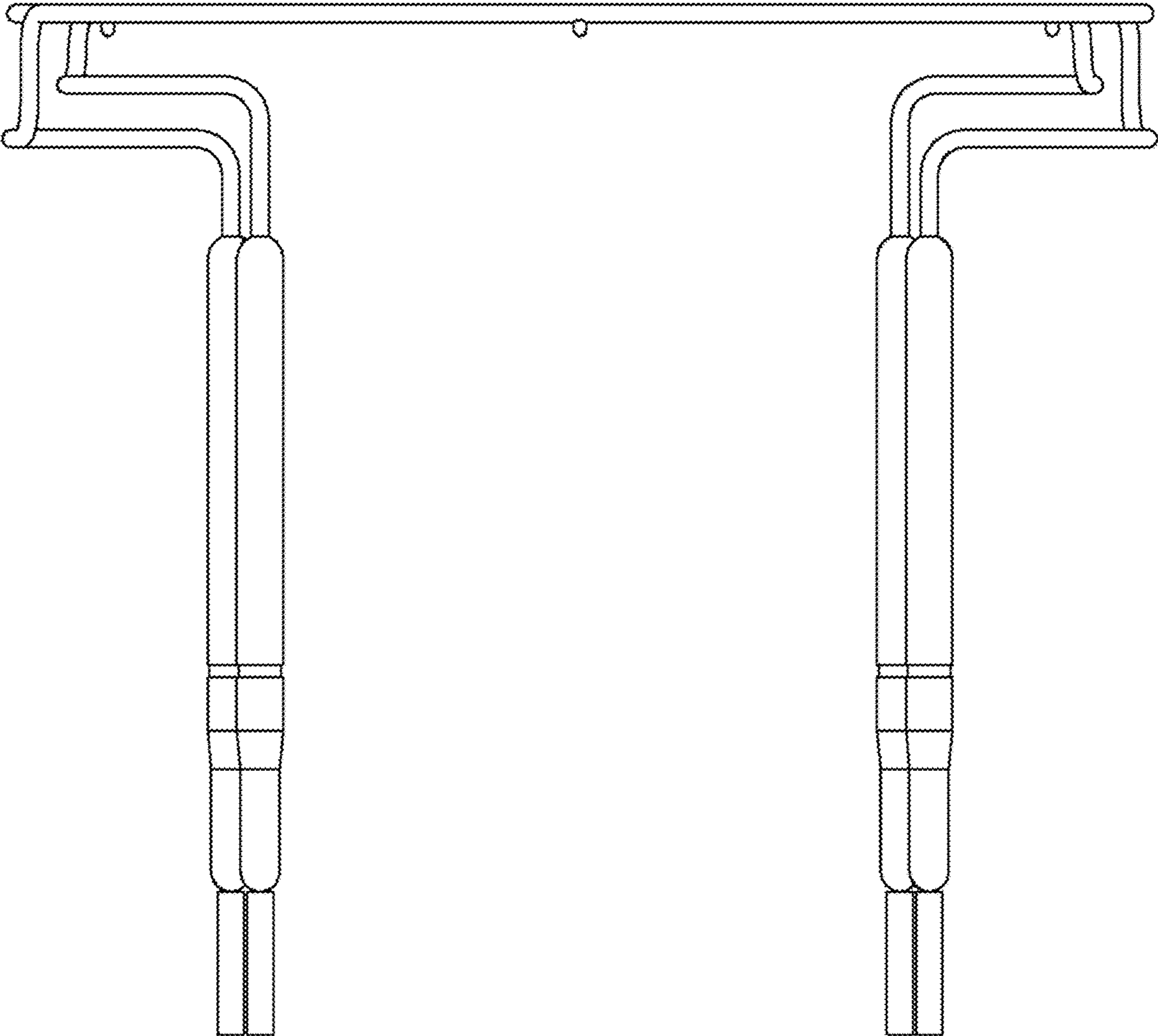


FIG. 2

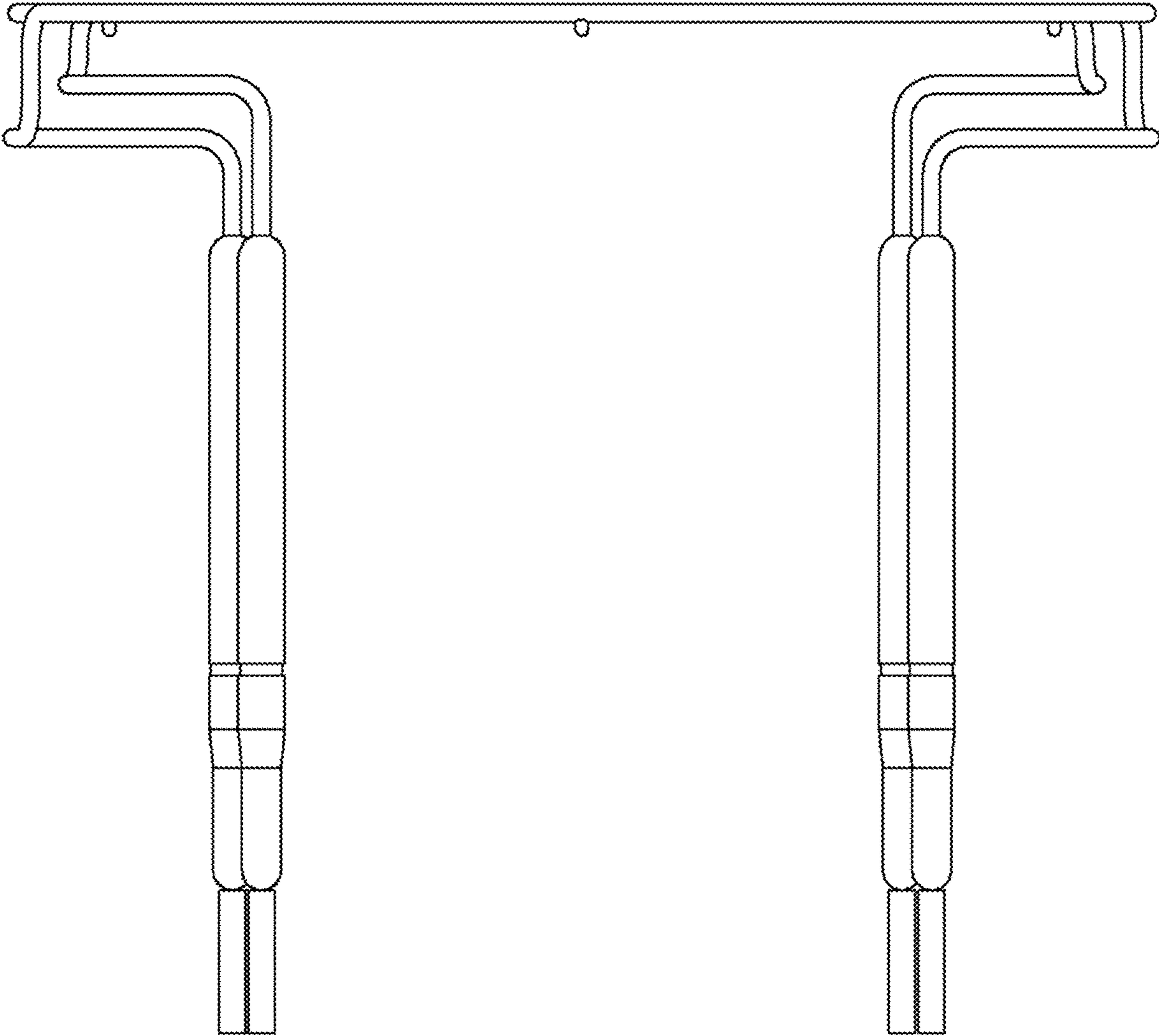


FIG. 3

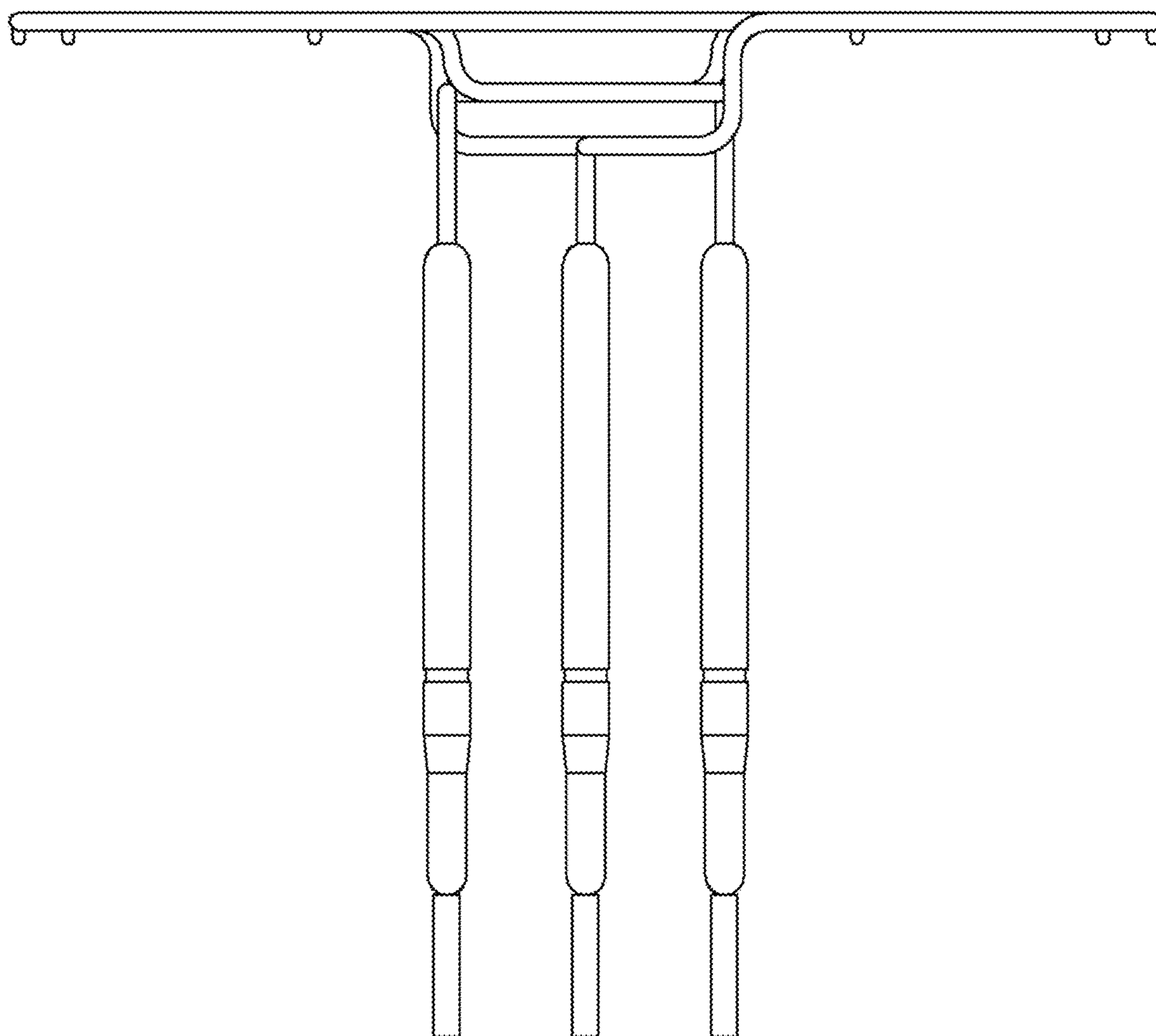


FIG. 4

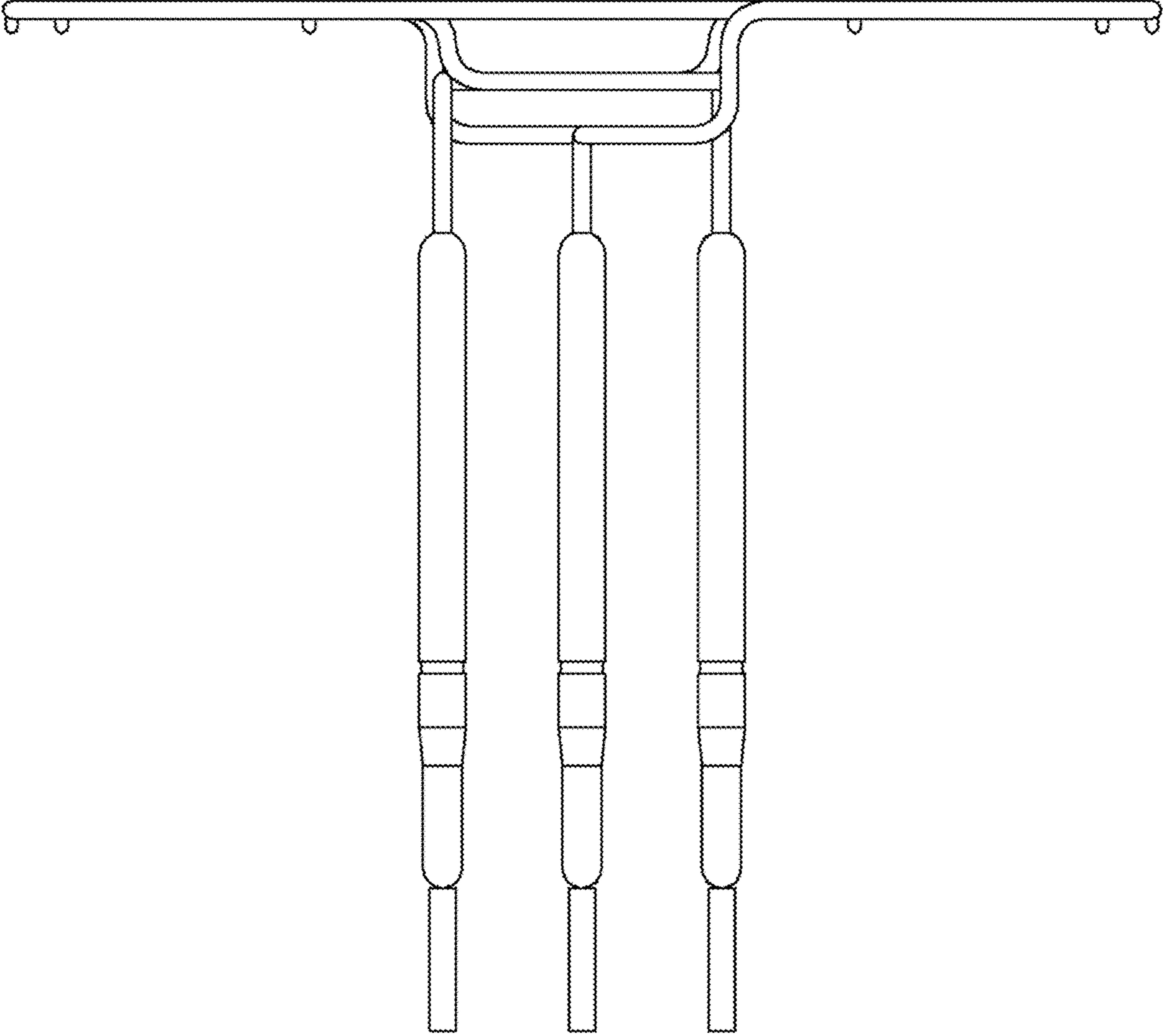


FIG. 5

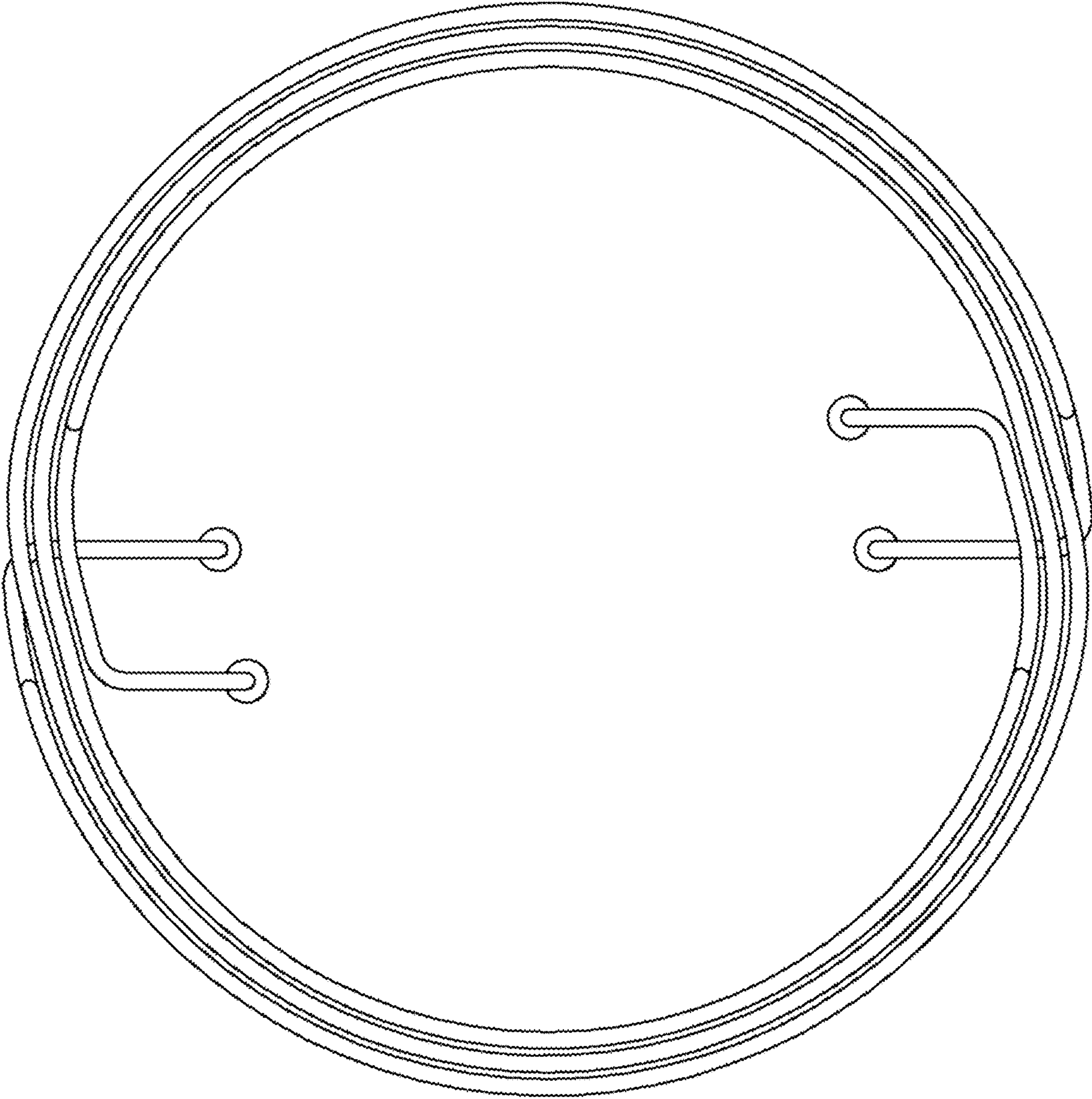


FIG. 6

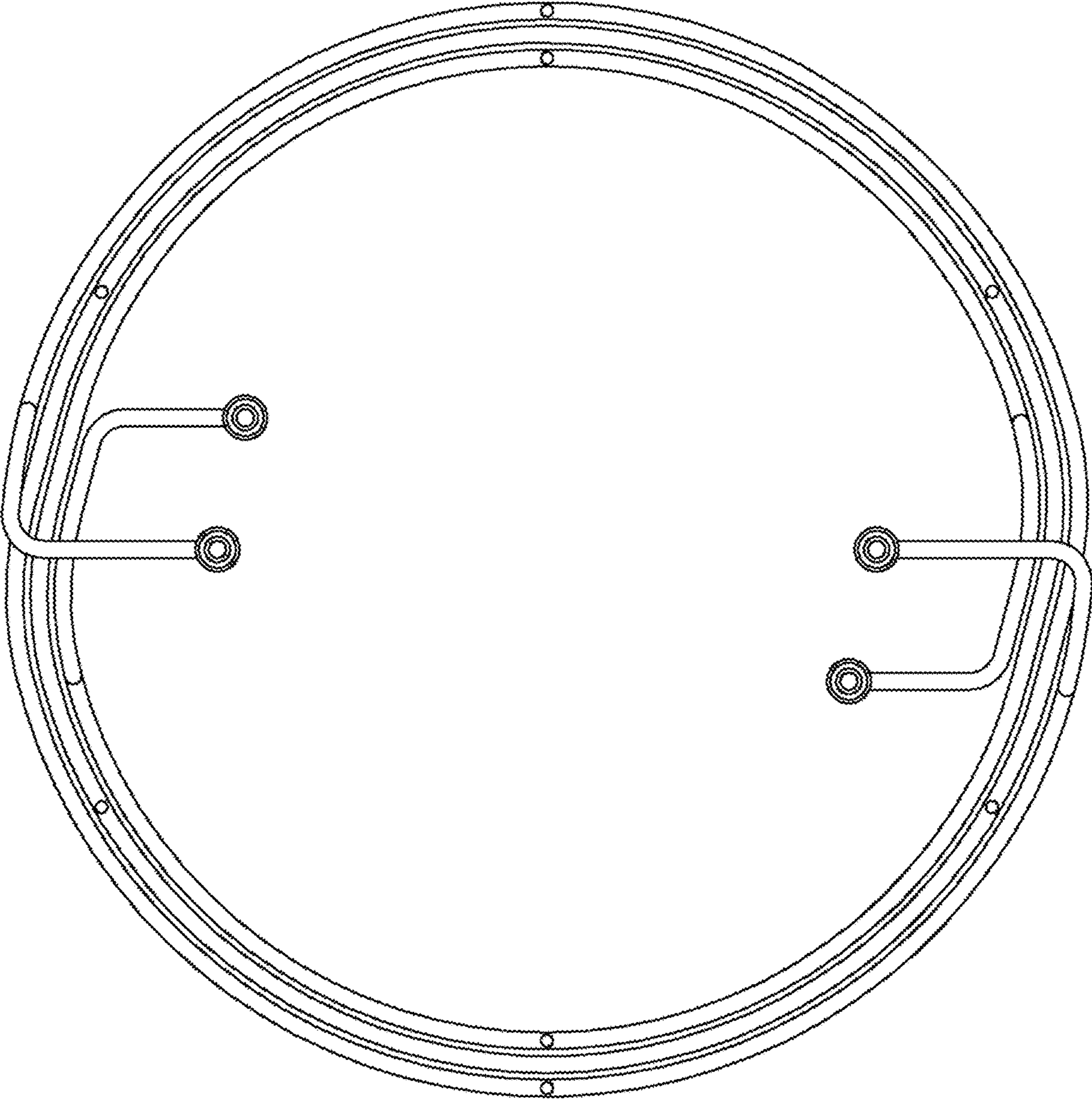


FIG. 7