



US00D913228S

(12) **United States Design Patent**  
**Balu et al.**

(10) **Patent No.:** **US D913,228 S**

(45) **Date of Patent:** **\*\* Mar. 16, 2021**

(54) **AUXILIARY POWER UNIT**

(71) Applicant: **Transportation IP Holdings, LLP,**  
Norwalk, CT (US)

(72) Inventors: **Giri Balu,** Bangalore (IN); **Kaushik D. Sondur,** Bangalore (IN); **Sasikumar Vishwanathan Mudaliar,** Bangalore (IN)

(73) Assignee: **Transportation IP Holdings, LLC,**  
Norwalk, CT (US)

(\*\*) Term: **15 Years**

(21) Appl. No.: **29/664,365**

(22) Filed: **Sep. 24, 2018**

(51) **LOC (13) Cl.** ..... **13-01**

(52) **U.S. Cl.**  
USPC ..... **D13/112**

(58) **Field of Classification Search**  
USPC ..... D15/5; D13/112, 114, 122; D14/313, D14/308, 337, 440; D12/42, 38  
CPC ..... B61J 99/00; B61K 13/00; B61K 13/02; B61C 1/08; B61C 3/00; B61C 3/02; B61C 9/08; B61C 9/12; B61C 9/38; B61C 15/05; B61C 17/06; B61B 15/00; Y02T 30/00; Y02T 30/10; Y02T 30/30  
See application file for complete search history.

(56) **References Cited**

**U.S. PATENT DOCUMENTS**

D250,019 S *	10/1978	Pycha	.....	D14/308
D278,058 S *	3/1985	Larson	.....	D14/184
D312,304 S *	11/1990	Sexton	.....	D23/364
D335,651 S *	5/1993	Jones	.....	D14/313
D517,008 S *	3/2006	Yasuda	.....	D13/112
D534,863 S *	1/2007	Yasuda	.....	D13/112
D572,212 S *	7/2008	Taylor	.....	D13/184

D575,733 S *	8/2008	Murata	.....	D13/114
D760,652 S *	7/2016	Schmit	.....	D13/112
D773,395 S *	12/2016	Shatek	.....	D13/112
D784,924 S *	4/2017	Andren	.....	D13/114
D818,435 S *	5/2018	Matthews	.....	D13/112

(Continued)

**OTHER PUBLICATIONS**

Molinari Rail AG, Auxiliary Power Units (APU)—GE Transportation, A Wabtec Company, (Aug. 2019), Molinari, Case History. (Year: 2019).\*

(Continued)

*Primary Examiner* — Sheryl Lane

*Assistant Examiner* — Mark T. Philipps

(74) *Attorney, Agent, or Firm* — McCoy Russell LLP

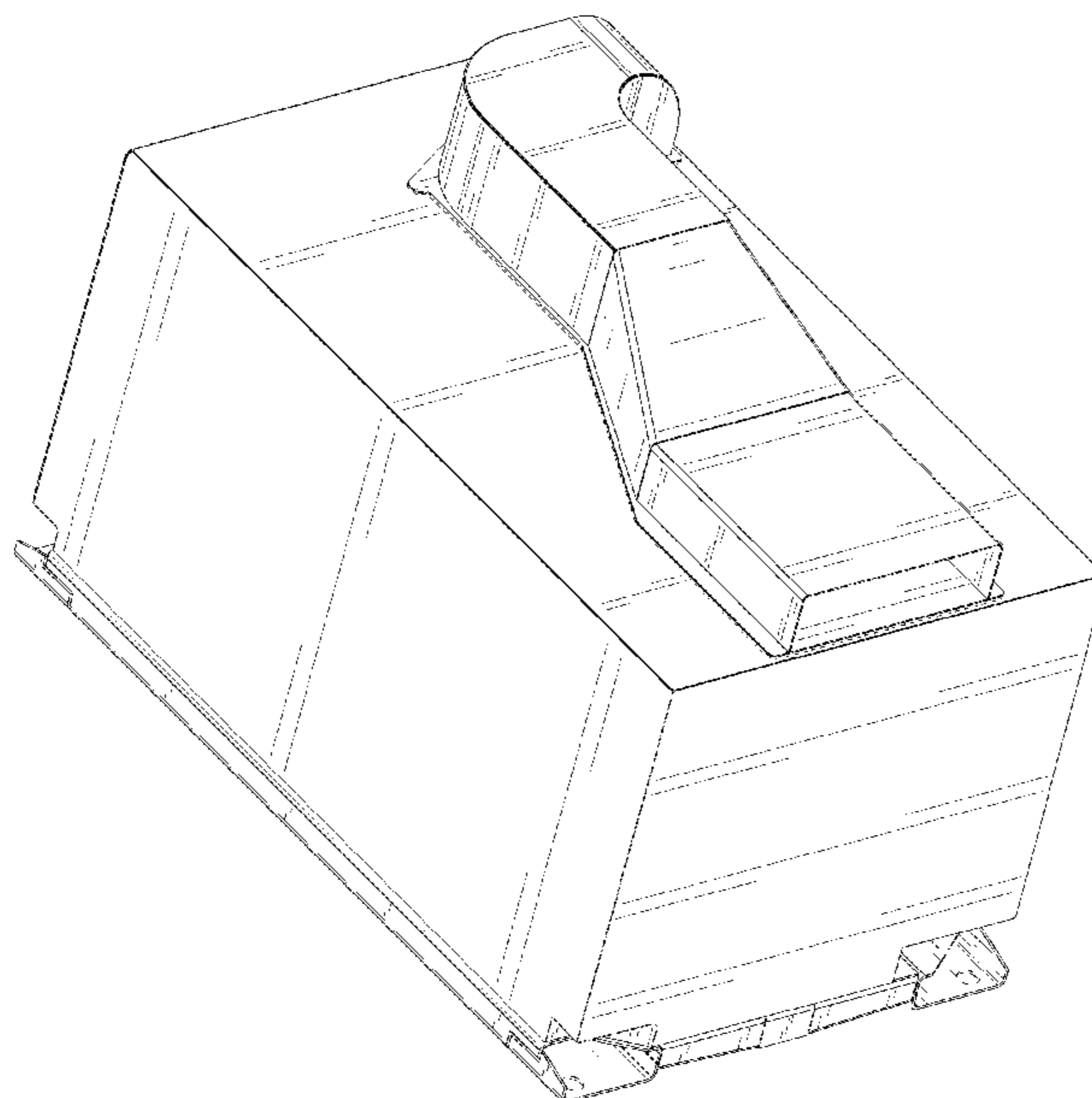
(57) **CLAIM**

The ornamental design for an auxiliary power unit, as shown and described.

**DESCRIPTION**

FIG. 1 is a top front left perspective view of a design for an auxiliary power unit according to the present invention. FIG. 2 is a bottom front right perspective view of the auxiliary power unit of FIG. 1. FIG. 3 is a front view of the auxiliary power unit of FIG. 1. FIG. 4 is a back view of the auxiliary power unit of FIG. 1. FIG. 5 is a right side view of the auxiliary power unit of FIG. 1. FIG. 6 is a left side view of the auxiliary power unit of FIG. 1. FIG. 7 is a top view of the auxiliary power unit of FIG. 1; and, FIG. 8 is a bottom view of the auxiliary power unit of FIG. 1. The broken line showing of an auxiliary power unit is for the purpose of illustrating portions of the article and forms no part of the claimed design.

**1 Claim, 8 Drawing Sheets**



(56)

**References Cited**

U.S. PATENT DOCUMENTS

D822,151	S *	7/2018	Tieleman	.....	D23/200
D822,788	S *	7/2018	Tieleman	.....	D23/200
D829,170	S *	9/2018	Gleave	.....	D13/110
D837,735	S *	1/2019	Marcille	.....	D13/112
D865,147	S *	10/2019	Huang	.....	D23/355
2007/0132243	A1 *	6/2007	Wurtele	.....	F01N 13/08 290/1 A
2012/0025045	A1 *	2/2012	Meier	.....	H01M 2/1083 248/229.1

OTHER PUBLICATIONS

Turbo Power Systems, TPS Auxiliary Supply Units, (site visited Jul. 14, 2020), Turbo Power Systems Website, URL:<<https://turbopowersystems.com/products-applications/transport/auxiliary-power-unit/>> (Year: 2020).\*

Molinari Rail AG, Auxiliary Power Units (APU)—GE Transportation, A Wabtec Company, (site visited Jul. 14, 2020), Molinari website, URL:<<https://www.molinari-rail.com/projects/auxiliary-power-units-apu/>> (Year: 2020).\*

“Auxiliary Power Unit Heating System,” Hot Start Website, Available Online at <https://www.hotstart.com/assets/Data-Sheets/Data-Sheet-APU-DS-APU-E.pdf>, Available as Early as May 20, 2014, 2 pages.

“MEDHA: Auxiliary Power Unit,” MEDHA India Website, Available Online at <https://medhaindia.com/index.php/products/fuel-saving-solutions/auxiliary-power-unit>, Available as Early as Nov. 10, 2015, 4 pages.

Kumar, R., “Why are diesel locomotives in Indian Railways not switched off even if the engines have been running fo a long time?,” Quora Website, Available Online at <https://www.quora.com/Why-are-diesel-locomotives-in-Indian-Railways-not-switched-off-even-if-the-engines-have-been-running-for-a-long-time>, Jan. 16, 2017, 6 pages.

“Schlepsmart: Locomotive Auxiliary Power Supply System,” PRAG Group Website, Available Online at <http://www.praggroup.com/wp-content/uploads/2016/03/Schlepsmart-E-brochure-3-16-2016.pdf>, Available Online as Early as Dec. 9, 2017, 6 pages.

“The Banana Locomotive APU,” INPS-EP Environmental Products Website, Available Online at <https://inps-ep.com/banana-apu.php>, Retrieved on Dec. 20, 2018, 5 pages.

\* cited by examiner

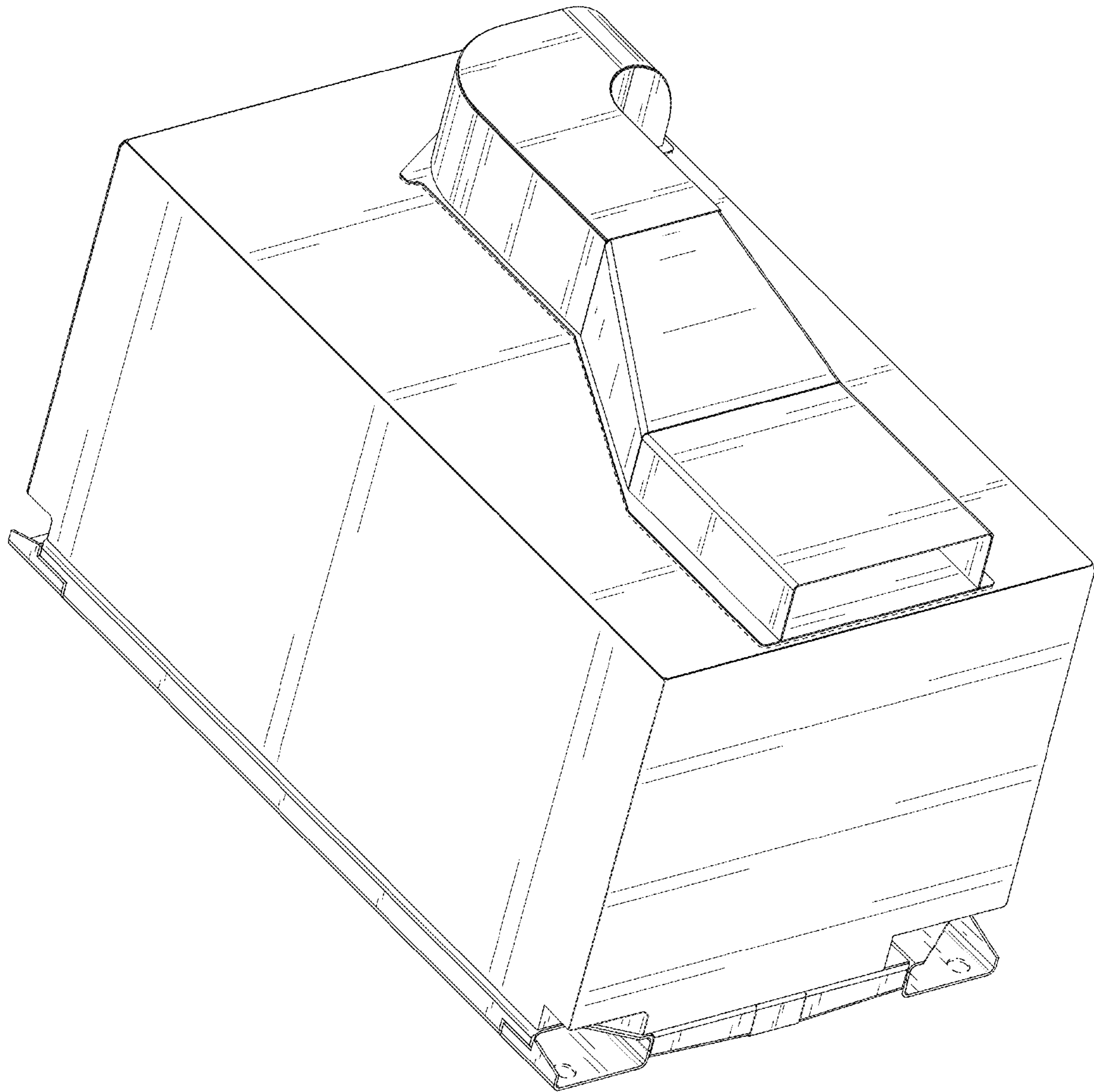


FIG. 1



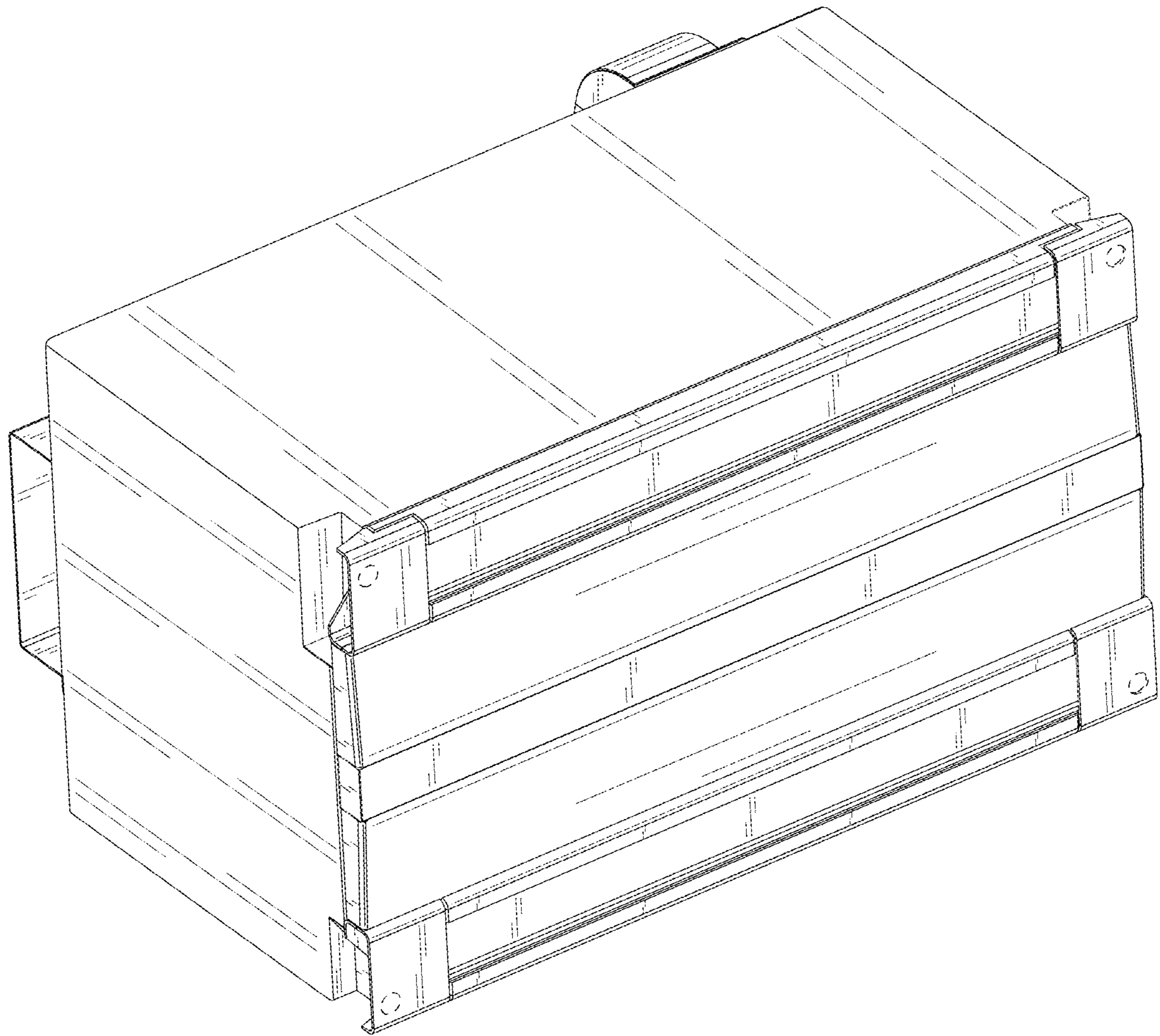


FIG. 2

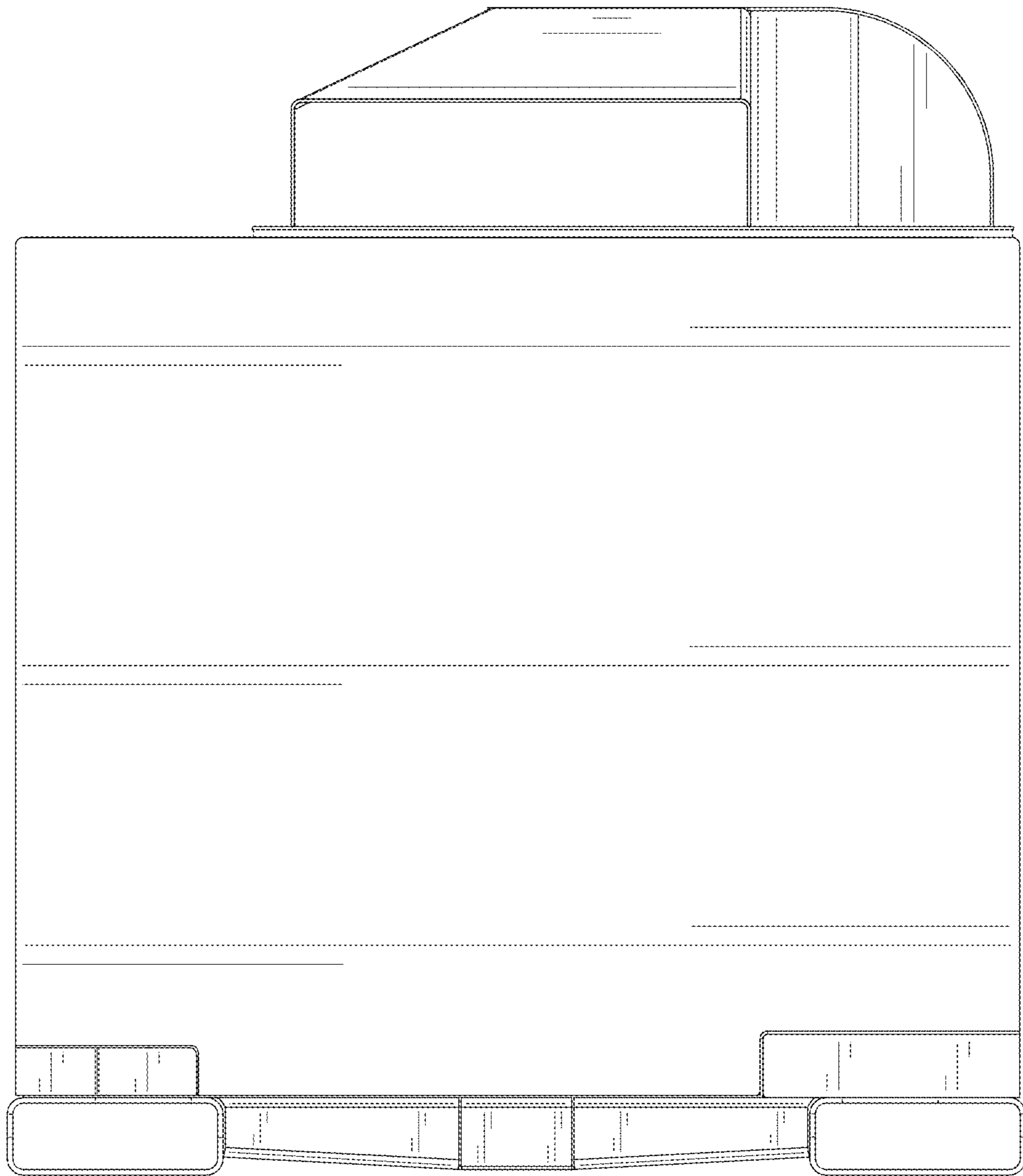


FIG. 3

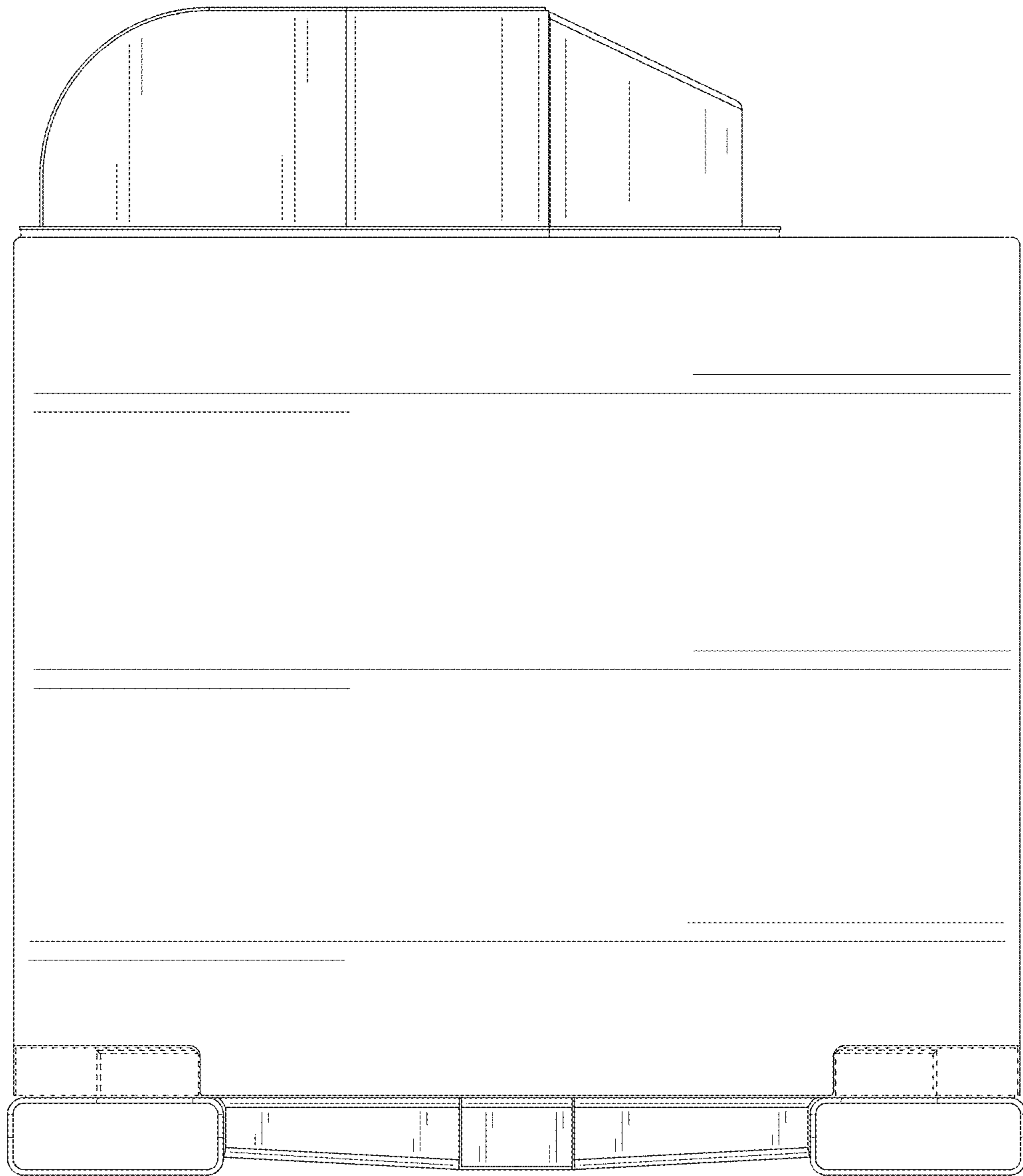


FIG. 4

FIG. 5



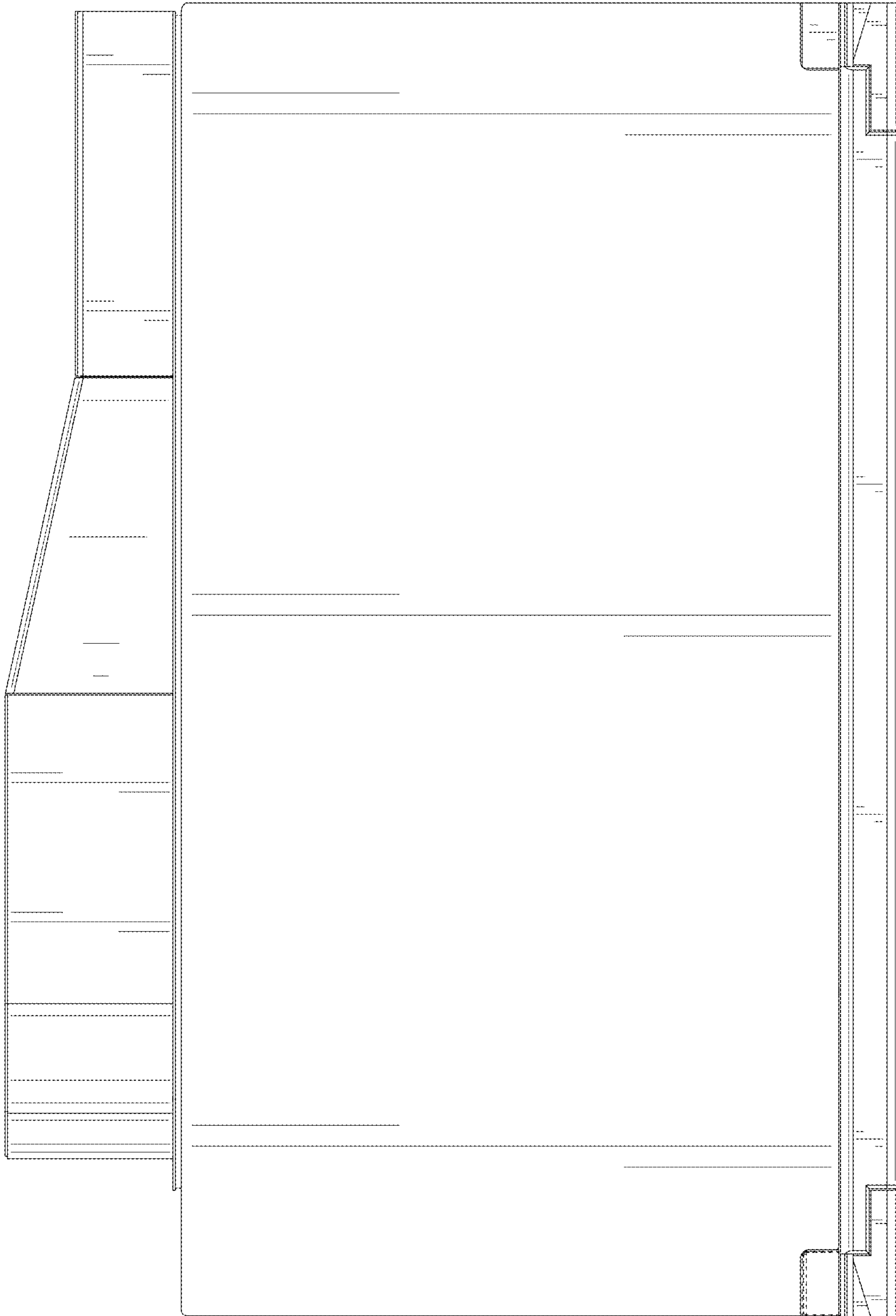


FIG. 6



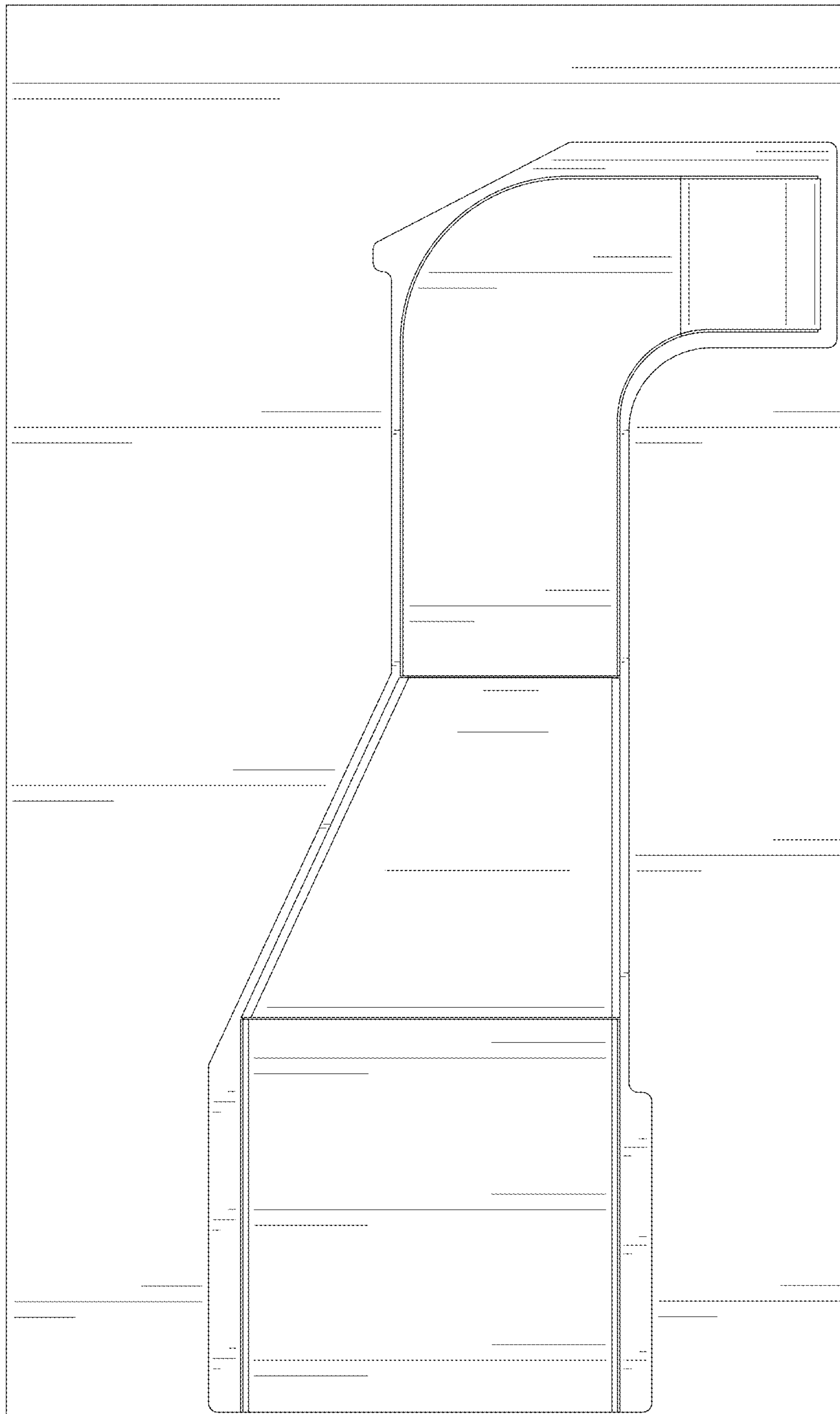


FIG. 7

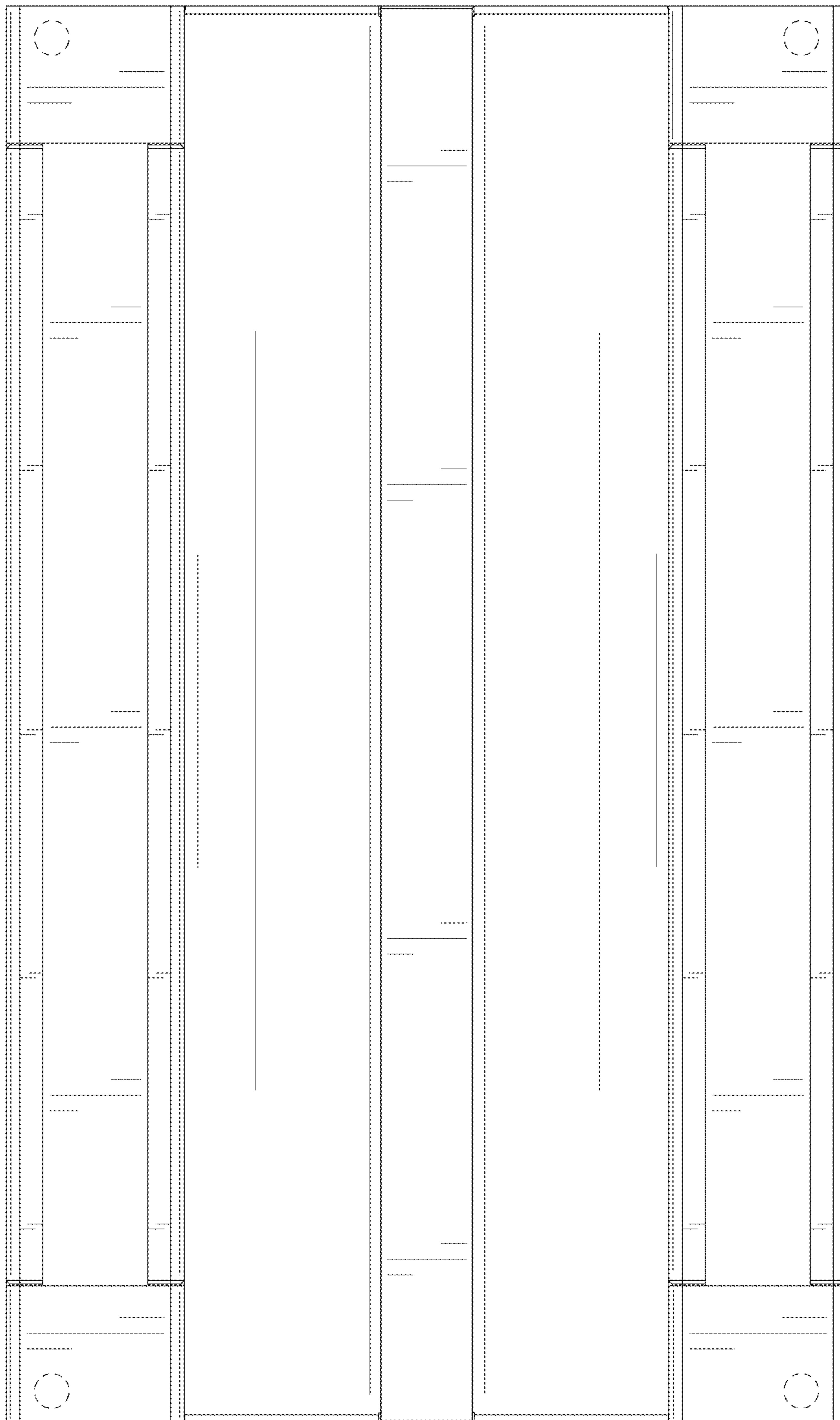


FIG. 8