



US00D913226S

(12) **United States Design Patent**
Tachibana et al.

(10) **Patent No.:** **US D913,226 S**

(45) **Date of Patent:** **** Mar. 16, 2021**

(54) **INVERTER**

(71) Applicant: **Mitsubishi Electric Corporation,**
Tokyo (JP)

(72) Inventors: **Atsuki Tachibana,** Tokyo (JP); **Tetsuo Tanaka,** Tokyo (JP); **Hidenori Suzuki,** Tokyo (JP); **Yoshiki Takahara,** Tokyo (JP); **Takahiro Kurahori,** Tokyo (JP)

(73) Assignee: **Mitsubishi Electric Corporation,**
Tokyo (JP)

(**) Term: **15 Years**

(21) Appl. No.: **29/722,807**

(22) Filed: **Jan. 31, 2020**

(30) **Foreign Application Priority Data**

Sep. 9, 2019 (JP) 2019-020074

(51) **LOC (13) Cl.** **13-02**

(52) **U.S. Cl.**
USPC **D13/110**

(58) **Field of Classification Search**
USPC D13/110, 101, 123, 162, 164, 184, 199;
D15/149
CPC H02M 7/00; H02M 7/02; H02M 7/003;
H05K 5/00; H05K 5/0017; H05K 7/00;
H05K 7/1427; H05K 7/20918
See application file for complete search history.

(56) **References Cited**

U.S. PATENT DOCUMENTS

4,620,263 A * 10/1986 Ito H05K 7/20918
361/690
5,497,289 A * 3/1996 Sugishima H02M 7/003
318/558

D372,017 S * 7/1996 Suematsu D13/110
D455,399 S * 4/2002 Imamura D13/110
D494,132 S * 8/2004 Song D13/110
D558,141 S * 12/2007 Kwon D13/110
D569,795 S * 5/2008 Higuchi D13/110
D675,565 S * 2/2013 Choi D13/110
D684,533 S * 6/2013 Nakahira D13/110
D707,176 S * 6/2014 Choi D13/110
D745,847 S * 12/2015 Ho D13/110

* cited by examiner

Primary Examiner — Derrick E Holland

(74) *Attorney, Agent, or Firm* — Stuebaker & Brackett
PC

(57) **CLAIM**

The ornamental design for an inverter, as shown and described.

DESCRIPTION

FIG. 1 is a front perspective view of the front, right, and top sides of an inverter showing our new design;
FIG. 2 is a rear perspective view of the rear, left, and bottom sides thereof;
FIG. 3 is a front view thereof;
FIG. 4 is a rear view thereof;
FIG. 5 is a top plan view thereof;
FIG. 6 is a bottom plan view thereof;
FIG. 7 is a right side view thereof;
FIG. 8 is a left side view thereof; and,
FIG. 9 is a reference view showing a usage state.
The broken lines shown in FIG. 9 represent environmental subject matter and form no part of the claimed design.

1 Claim, 9 Drawing Sheets

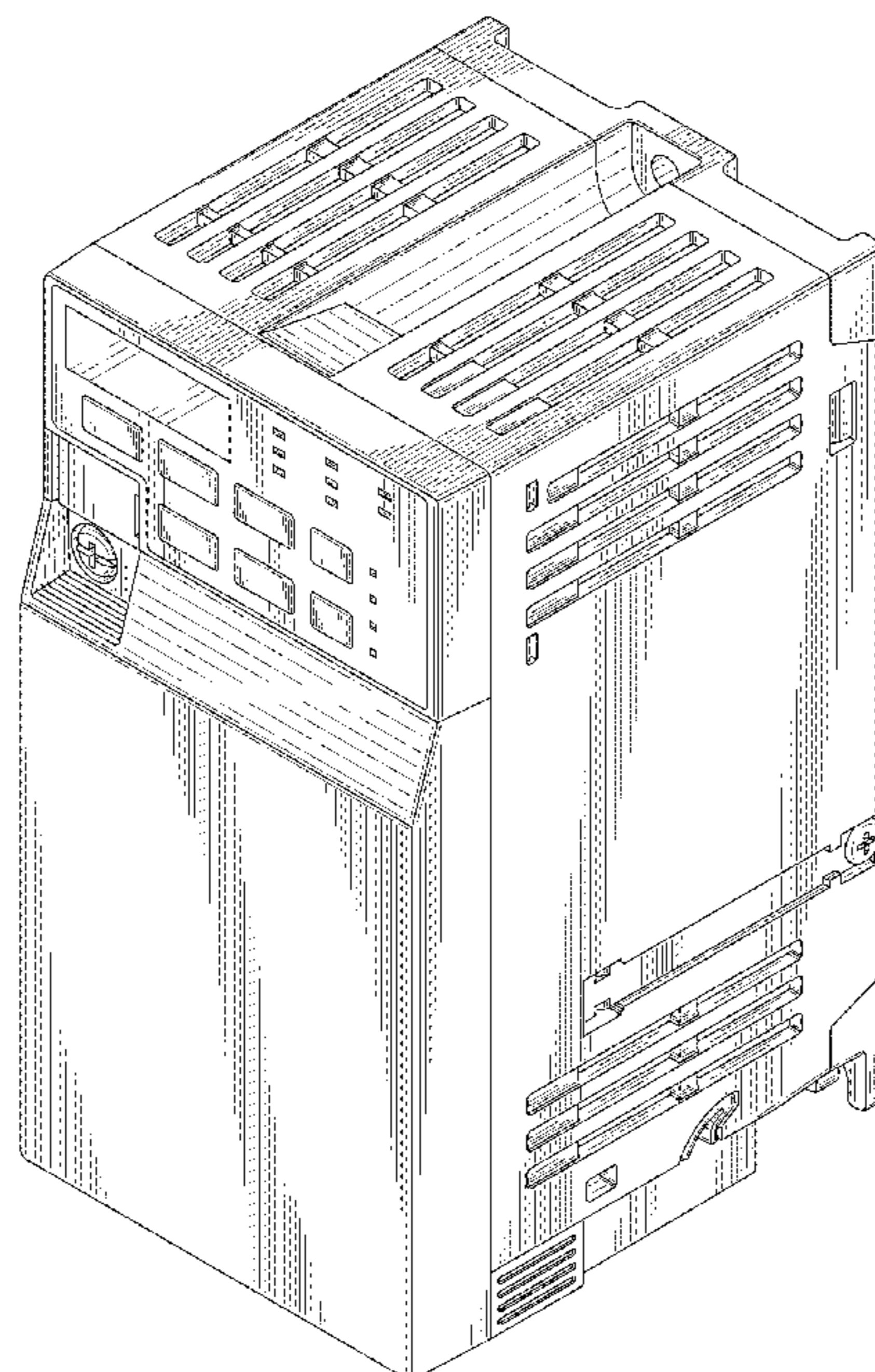


FIG. 1

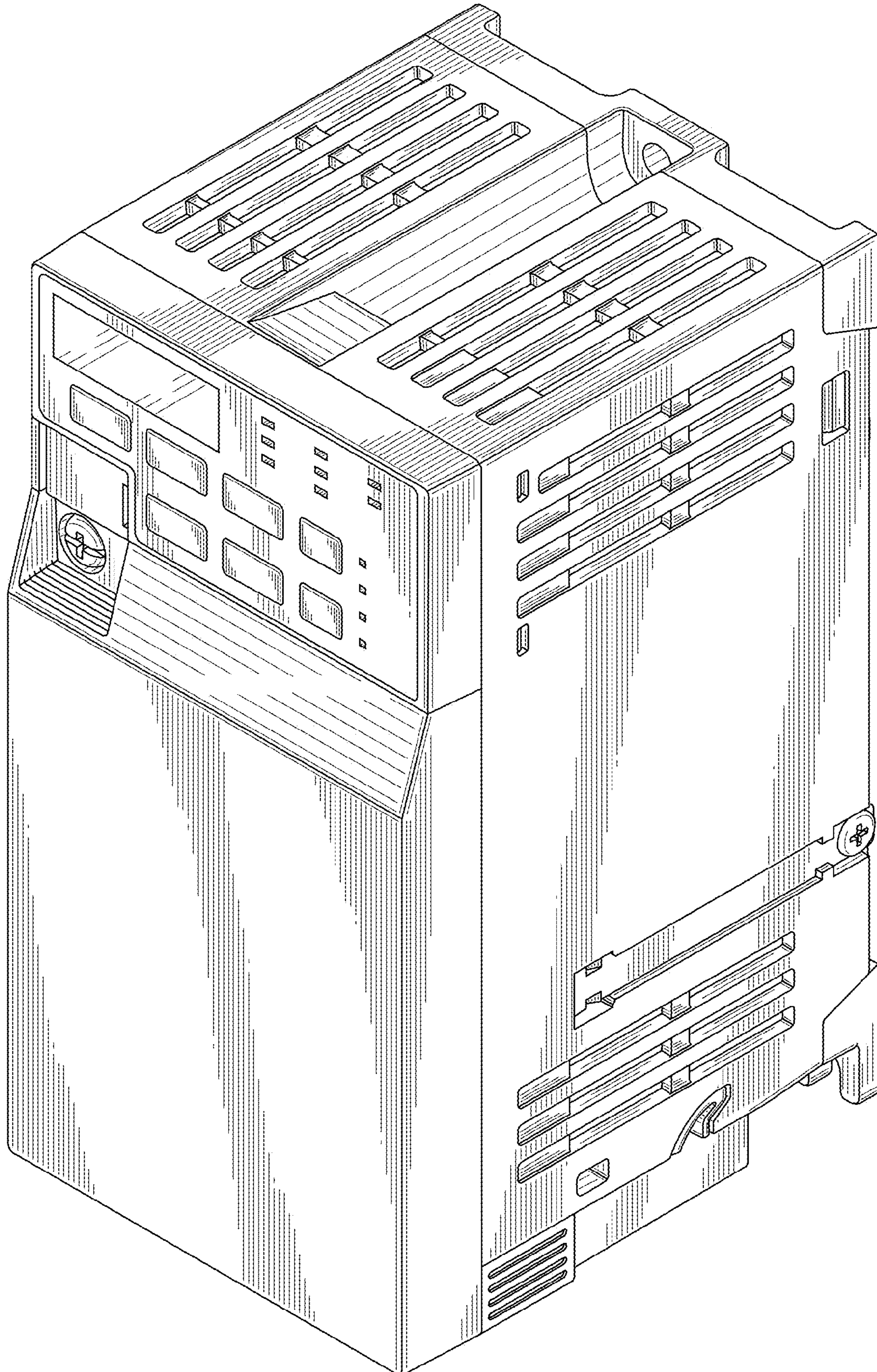


FIG. 2

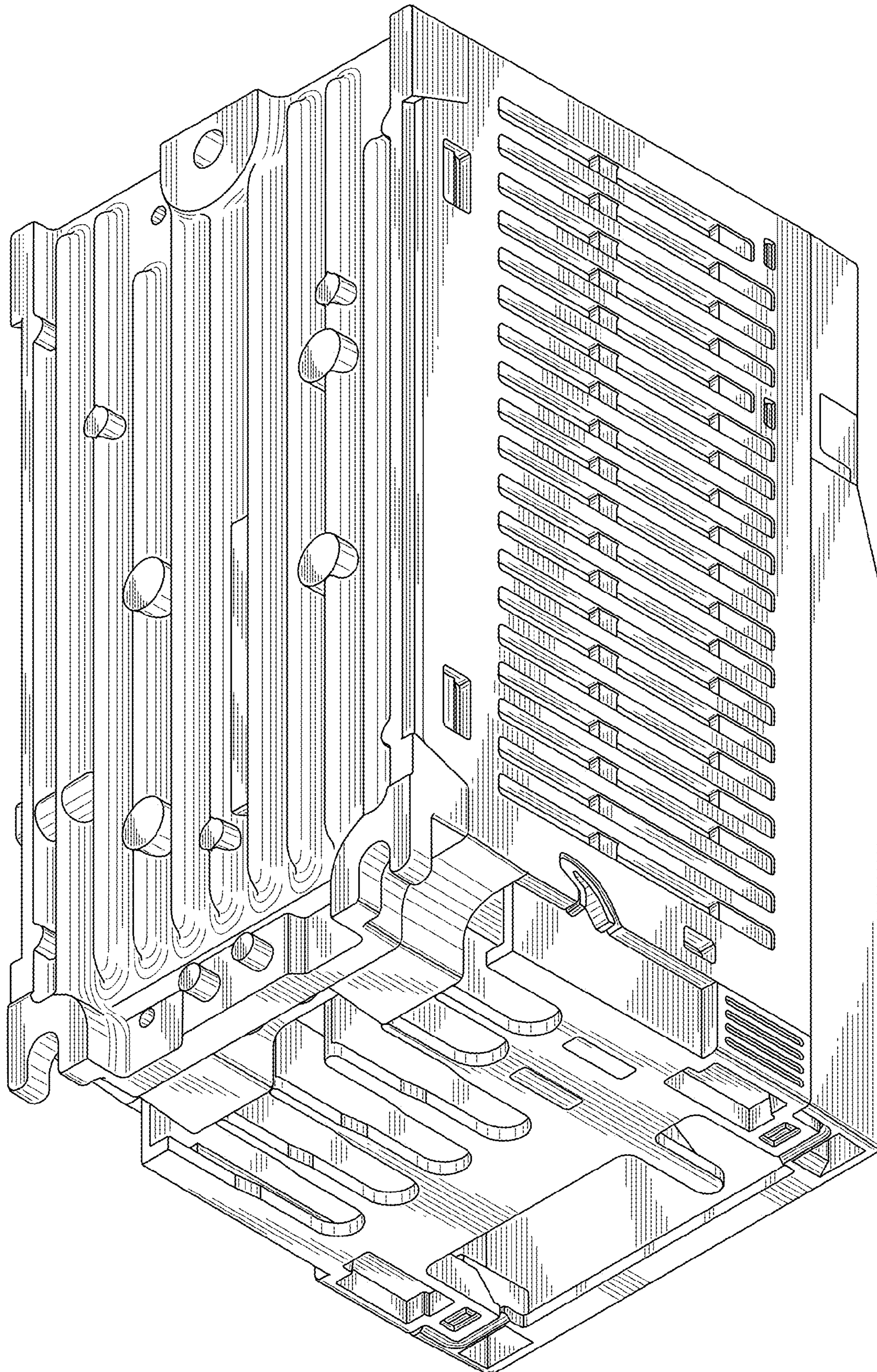


FIG. 3

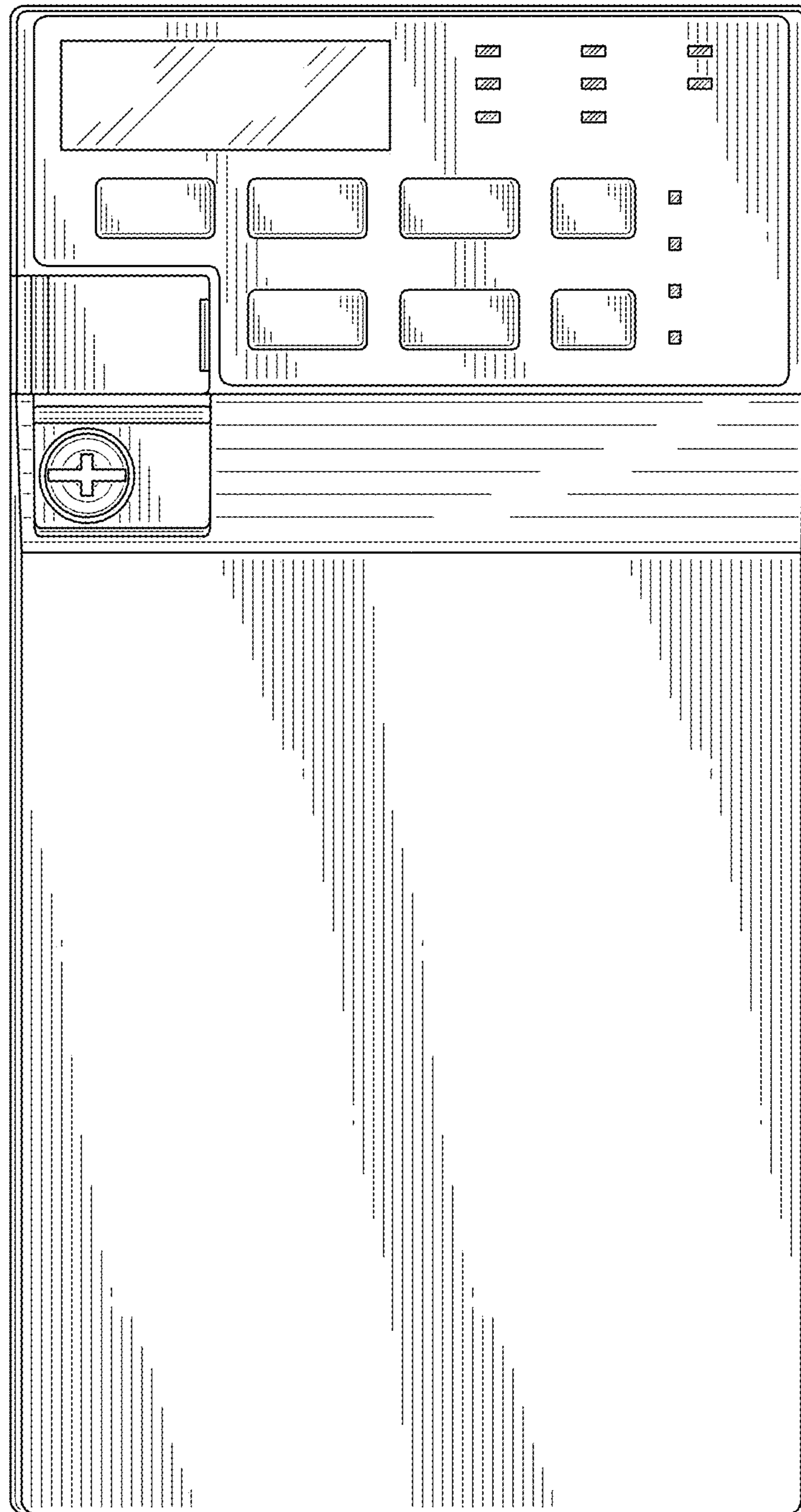


FIG. 4

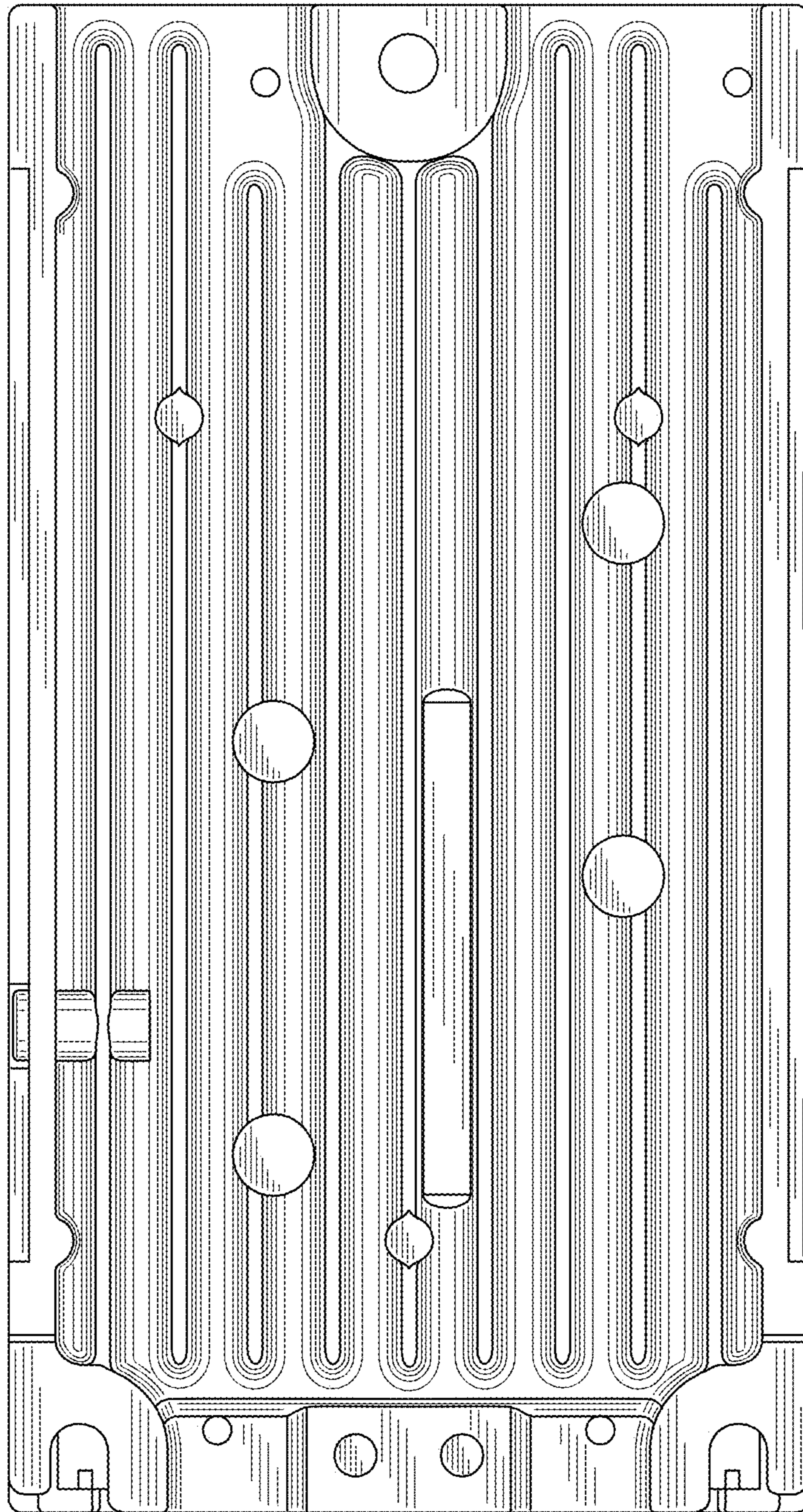


FIG. 5

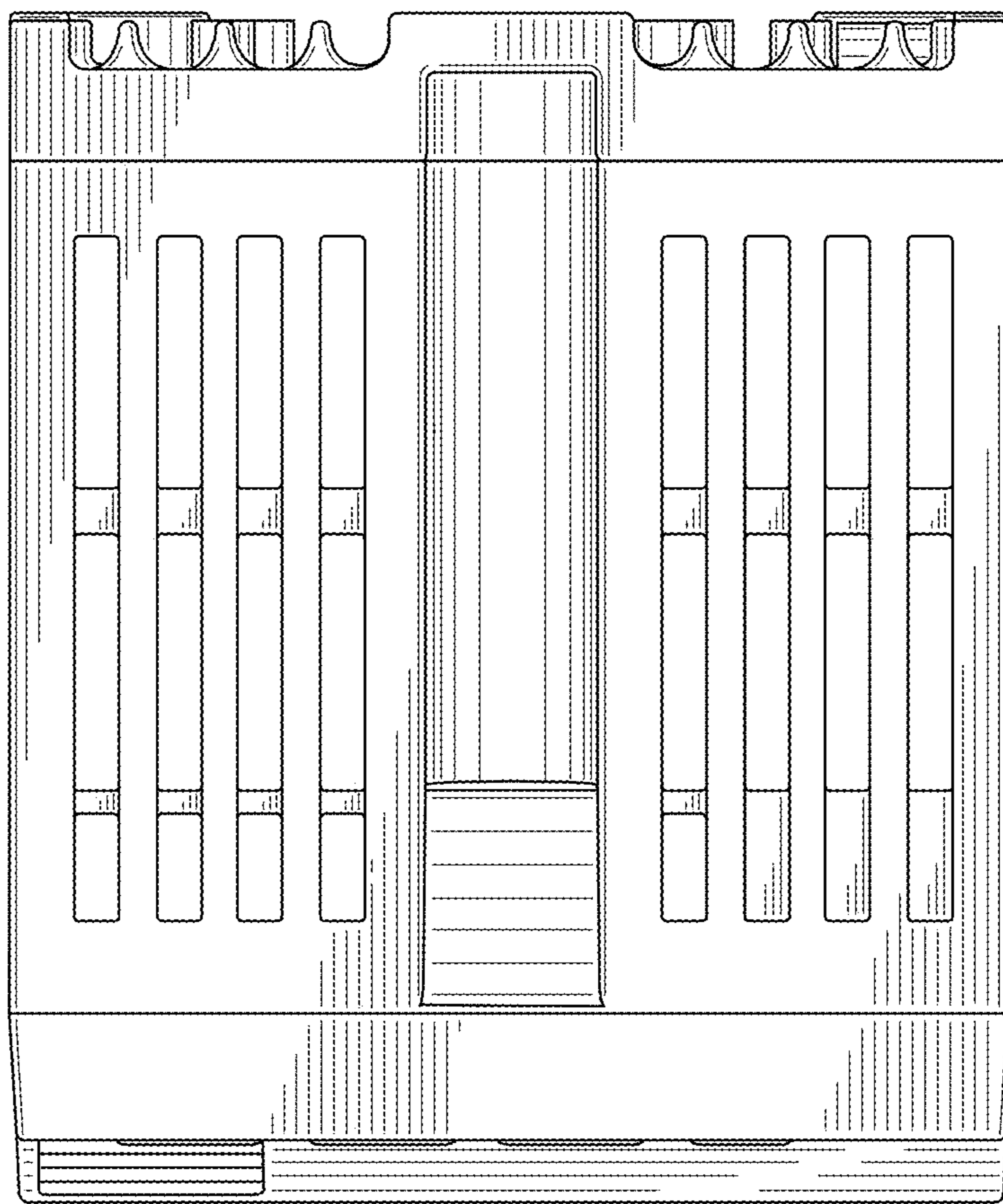


FIG. 6

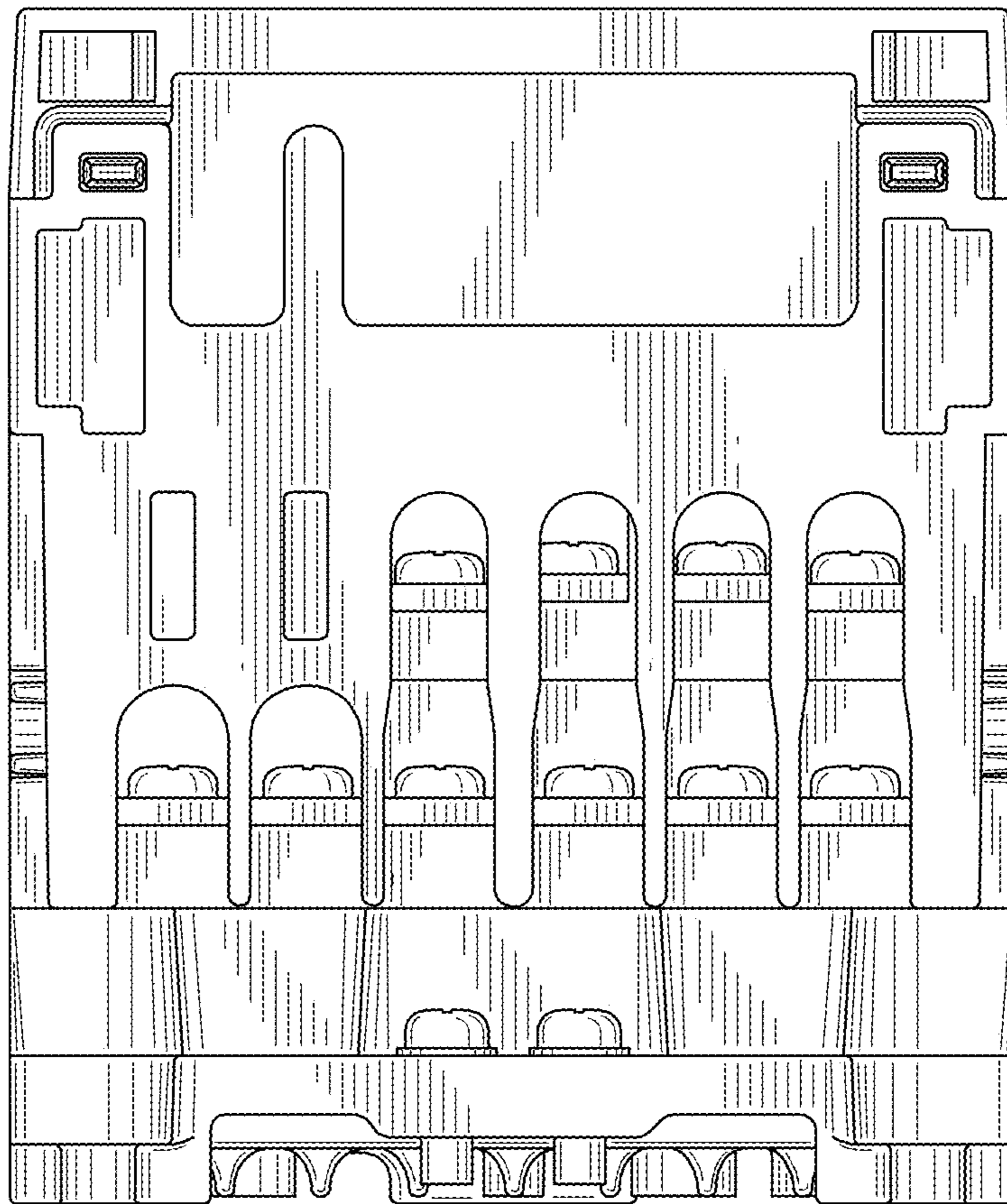


FIG. 7

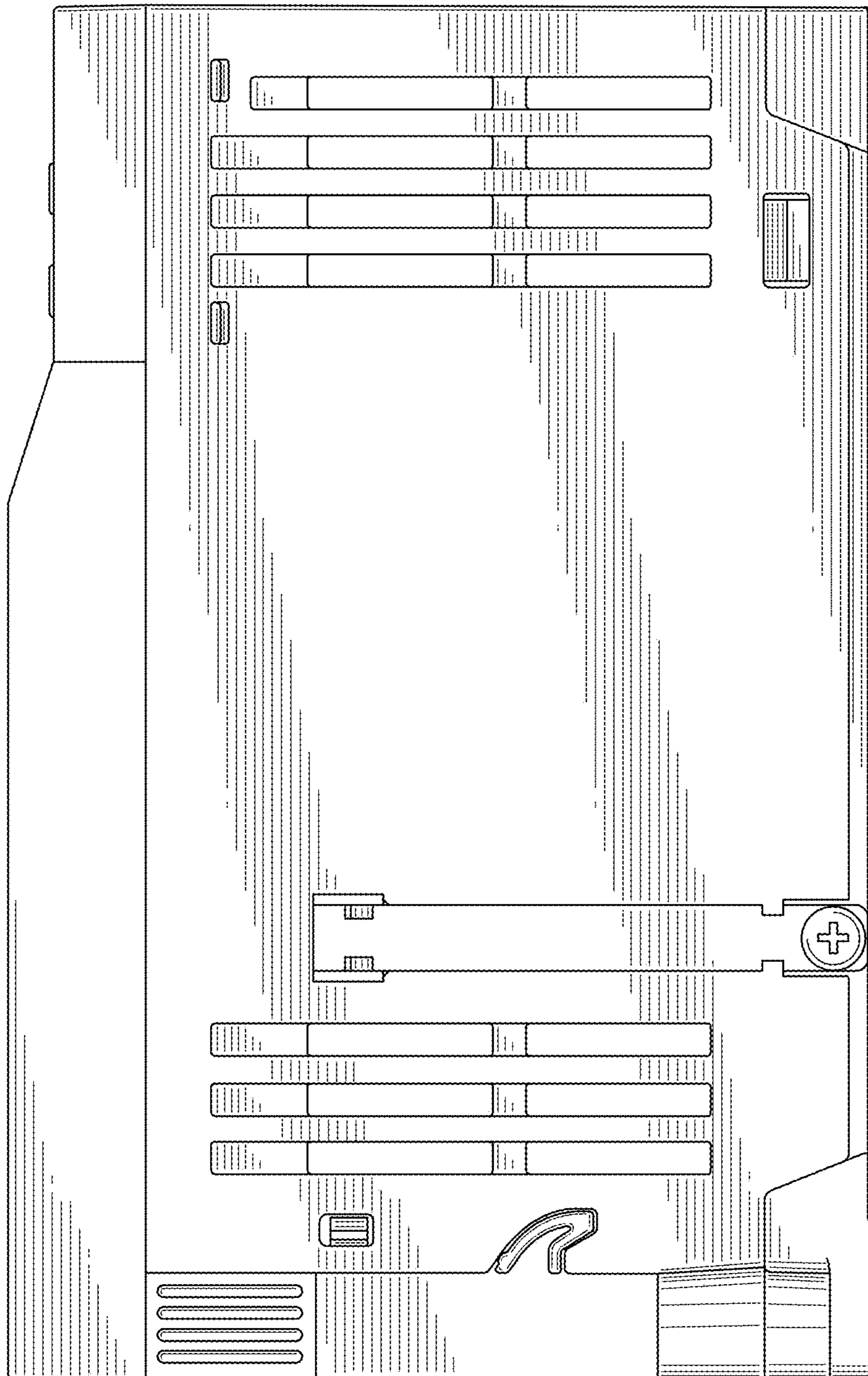


FIG. 8

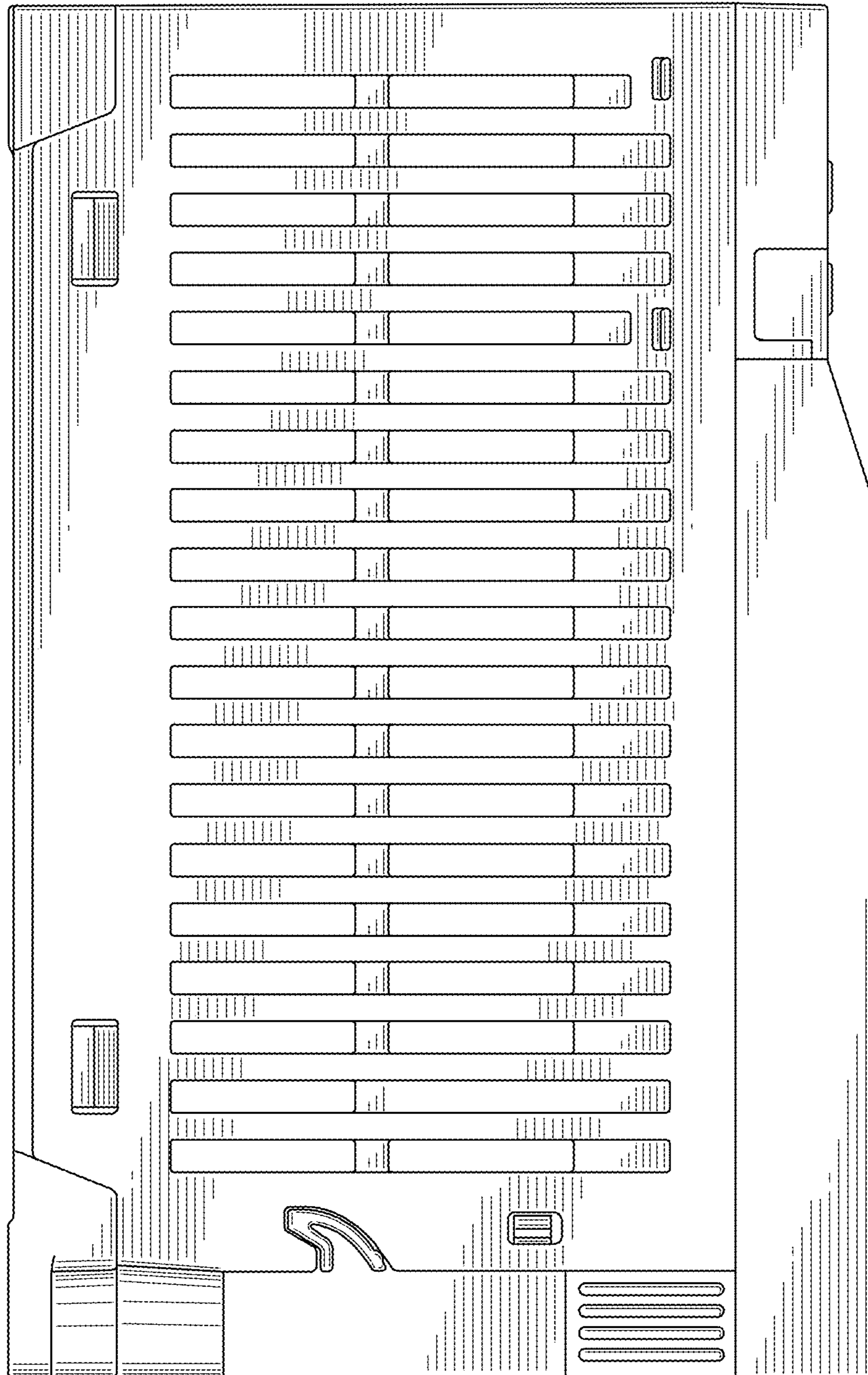


FIG. 9

