



US00D913225S

(12) **United States Design Patent** (10) **Patent No.:** **US D913,225 S**  
**Alexander et al.** (45) **Date of Patent:** **\*\* Mar. 16, 2021**

- (54) **GENERATOR PARALLEL CONNECTOR**
- (71) Applicant: **FNA Group, inc.**, Pleasant Prairie, WI (US)
- (72) Inventors: **Gus Alexander**, Inverness, IL (US); **Christopher C. Alexander**, Park Ridge, IL (US)
- (73) Assignee: **FNA Group, Inc.**, Pleasant Prairie, WI (US)
- (\*\*) Term: **15 Years**
- (21) Appl. No.: **29/677,321**
- (22) Filed: **Jan. 18, 2019**
- (51) **LOC (13) Cl.** ..... **13-02**
- (52) **U.S. Cl.**  
USPC ..... **D13/110**
- (58) **Field of Classification Search**  
USPC ..... D13/110–118, 122, 133, 146, 147, 153, D13/154, 184, 199  
CPC ..... H01R 13/00; H01R 13/424; H01R 13/64; H01R 4/00; H01R 11/00; H01R 31/06; H01R 24/38; H02J 3/38; H02J 7/0042; H02J 7/0045; H02J 7/0052; H02G 3/04  
See application file for complete search history.

10,109,989	B1 *	10/2018	Baldwin	.....	H02G 3/04
D852,742	S *	7/2019	Li	.....	D13/110
D856,933	S *	8/2019	Lin	.....	D13/137.2
D875,044	S *	2/2020	Chen	.....	D13/110
D883,941	S *	5/2020	Muramoto	.....	D13/184
D885,342	S *	5/2020	Wang	.....	D13/110
D889,404	S *	7/2020	Levine	.....	D13/110
2006/0081392	A1 *	4/2006	Schnackenberg	.....	H02K 5/225 174/72 A

\* cited by examiner

*Primary Examiner* — Catherine S Posthauer

*Assistant Examiner* — Alison M Ofstun

(74) *Attorney, Agent, or Firm* — Steven E. Jedlinski, Esq.; Jeffrey T. Placker, Esq.; Holland & Knight LLP

(57) **CLAIM**

The ornamental design for a generator parallel connector, as shown and described.

**DESCRIPTION**

FIG. 1 is a top-front-right perspective view of a generator parallel connector;  
 FIG. 2 is a bottom-front-right perspective view thereof;  
 FIG. 3 is a top-rear-left perspective view thereof;  
 FIG. 4 is a front elevation view thereof;  
 FIG. 5 is a rear elevation view thereof;  
 FIG. 6 is a right elevation view thereof;  
 FIG. 7 is a left elevation view thereof;  
 FIG. 8 is a top plan view thereof; and,  
 FIG. 9 is a bottom plan view thereof.

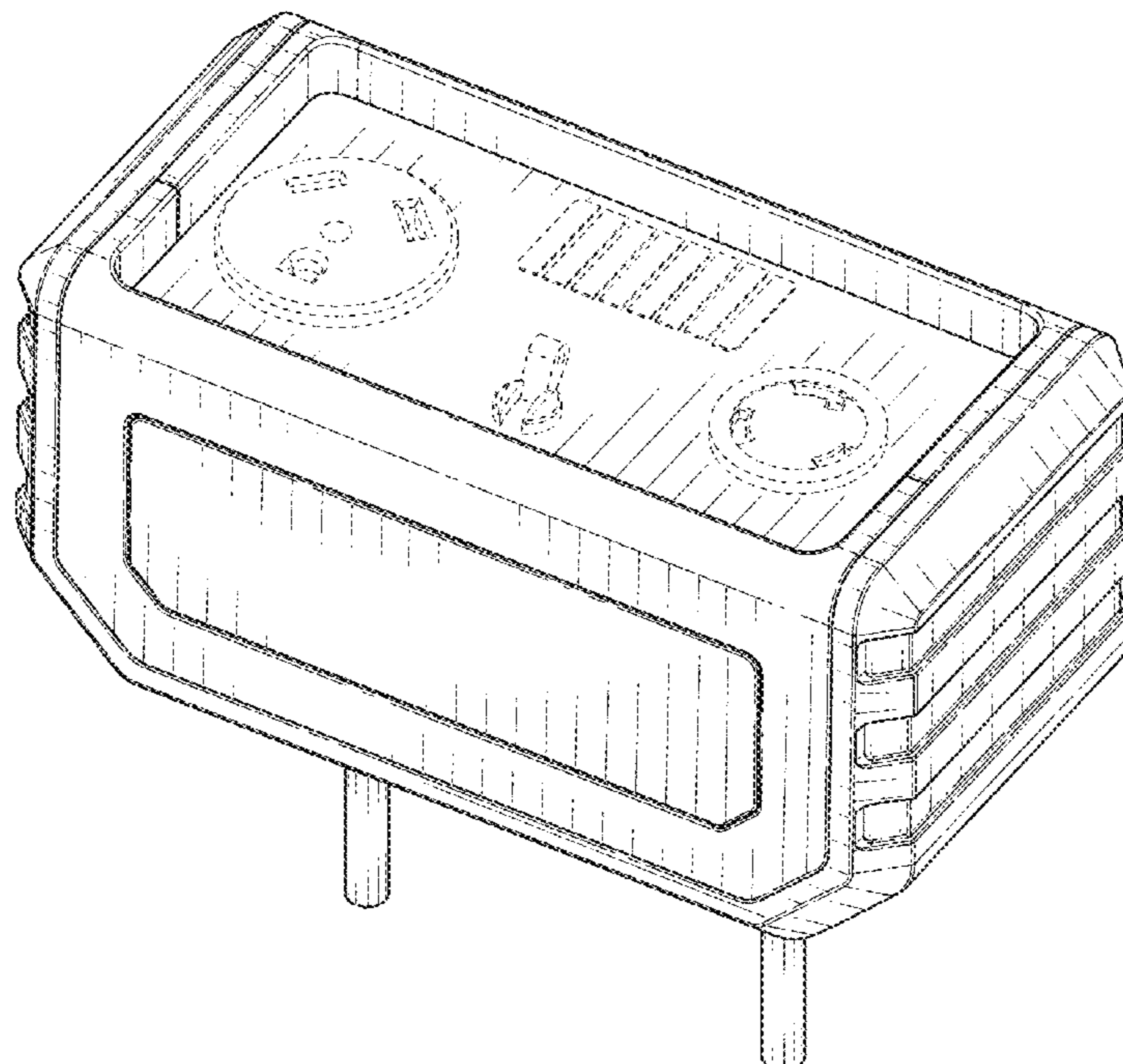
The broken lines are included for the purpose of illustrating portions of the generator parallel connector that form no part of the claimed design.

**1 Claim, 8 Drawing Sheets**

(56) **References Cited**

U.S. PATENT DOCUMENTS

D546,761	S *	7/2007	Schnackenberg	.....	D13/122
D668,224	S *	10/2012	Trine	.....	D13/122
D720,293	S *	12/2014	Saunders	.....	D13/133
D807,822	S *	1/2018	Senff	.....	D13/110
9,871,378	B2 *	1/2018	Stenson	.....	H02P 9/08
D832,212	S *	10/2018	Hsieh	.....	D13/110



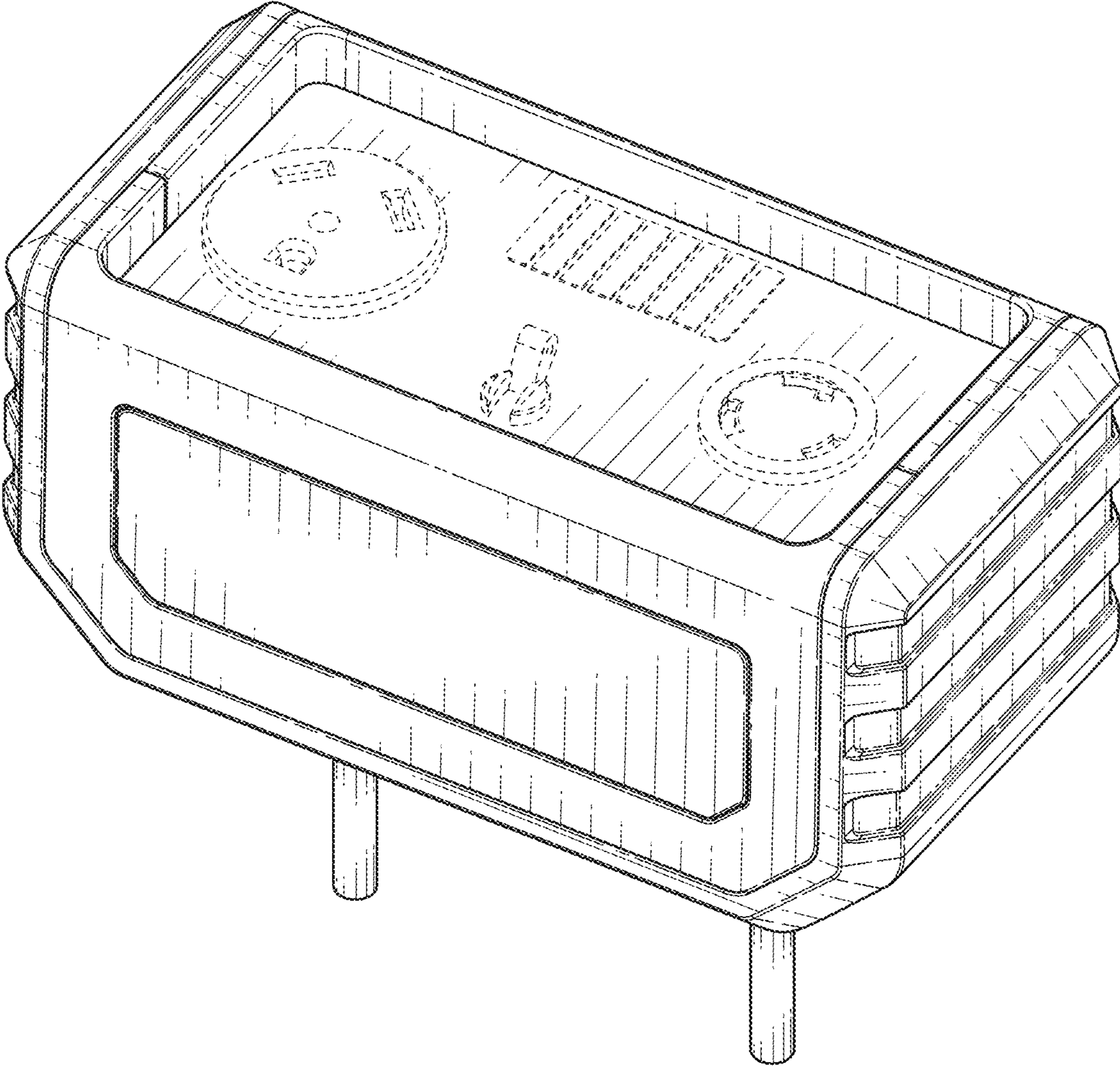


FIG. 1



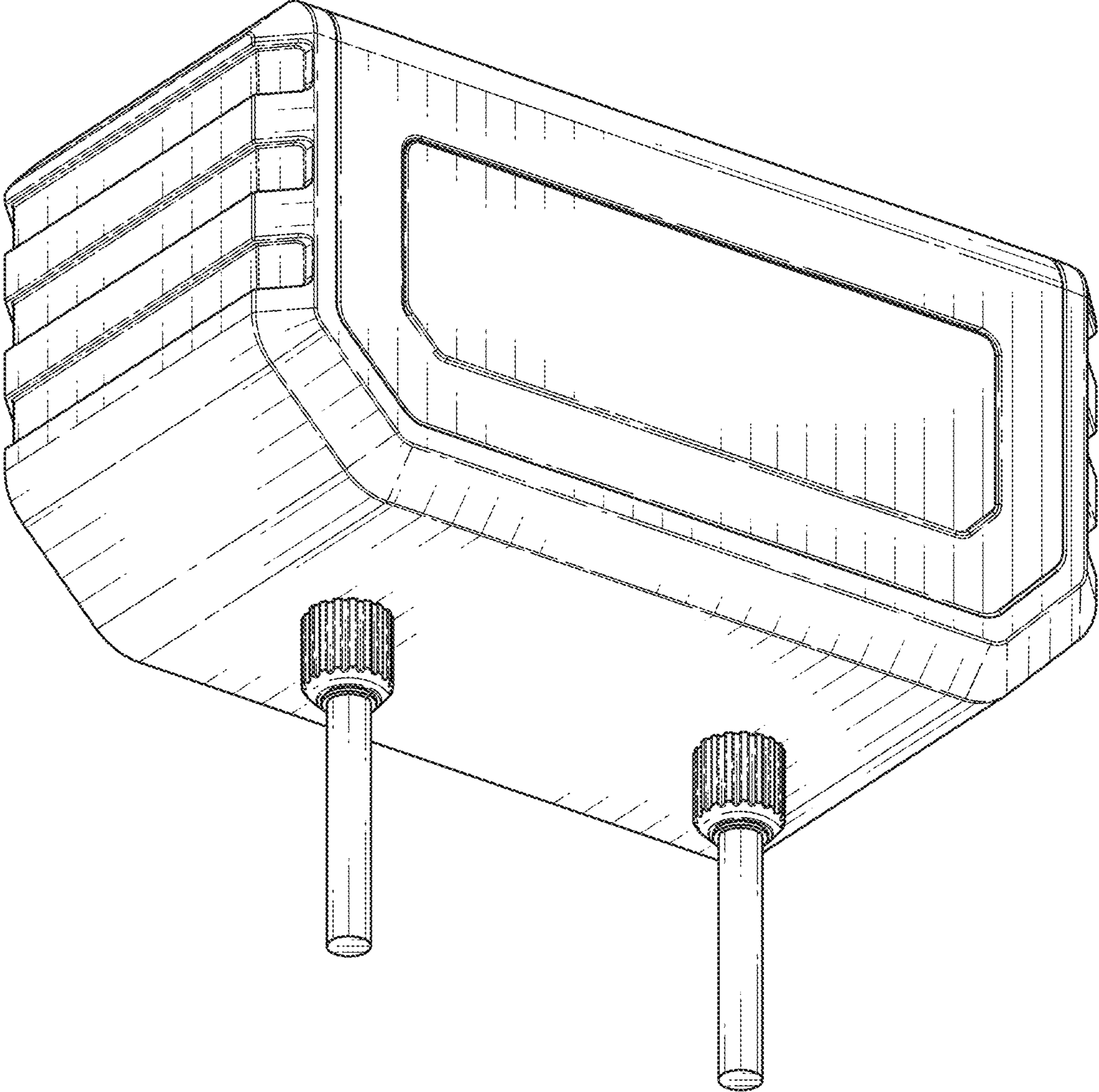


FIG. 2

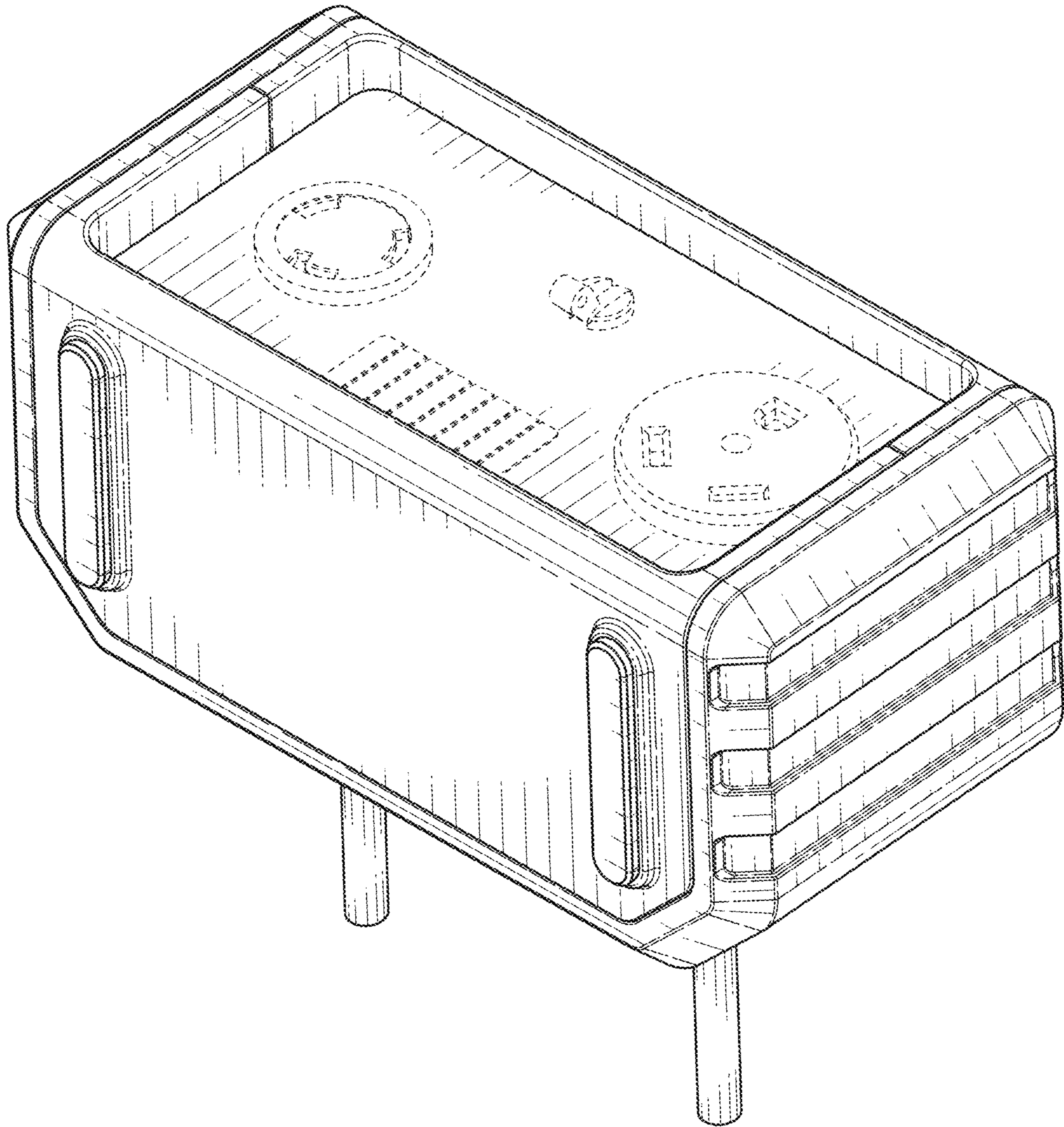


FIG. 3

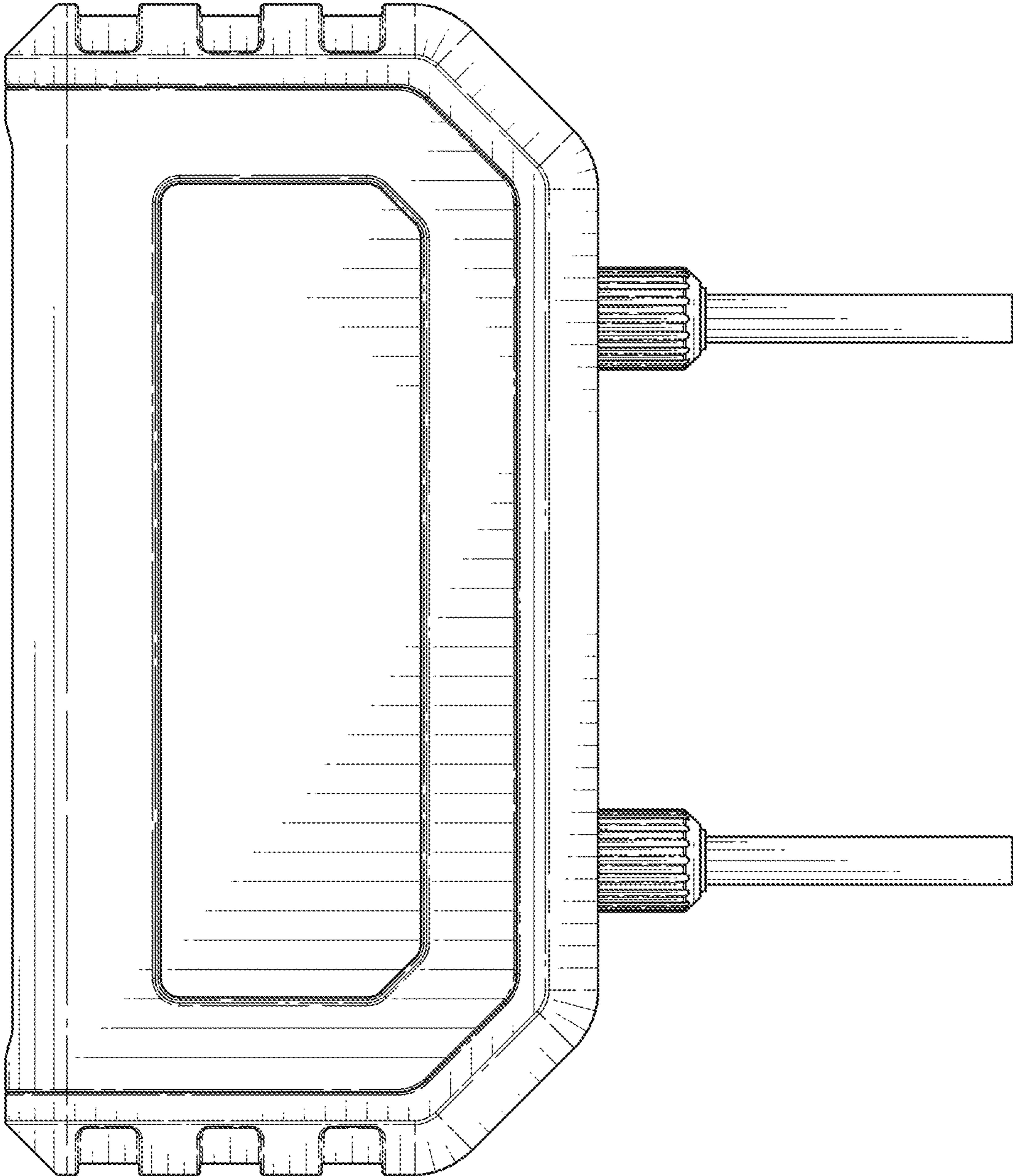


FIG. 4



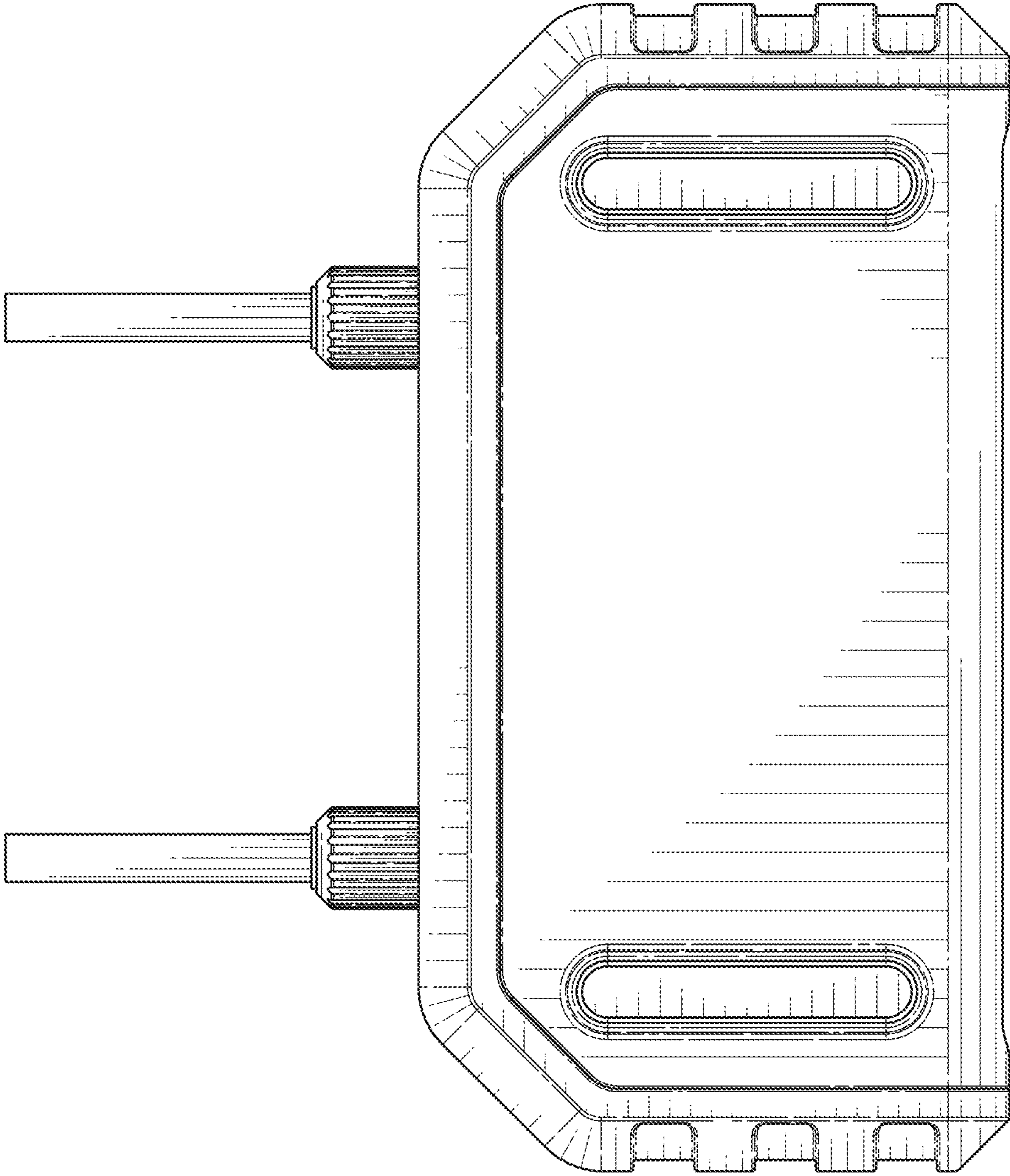


FIG. 5

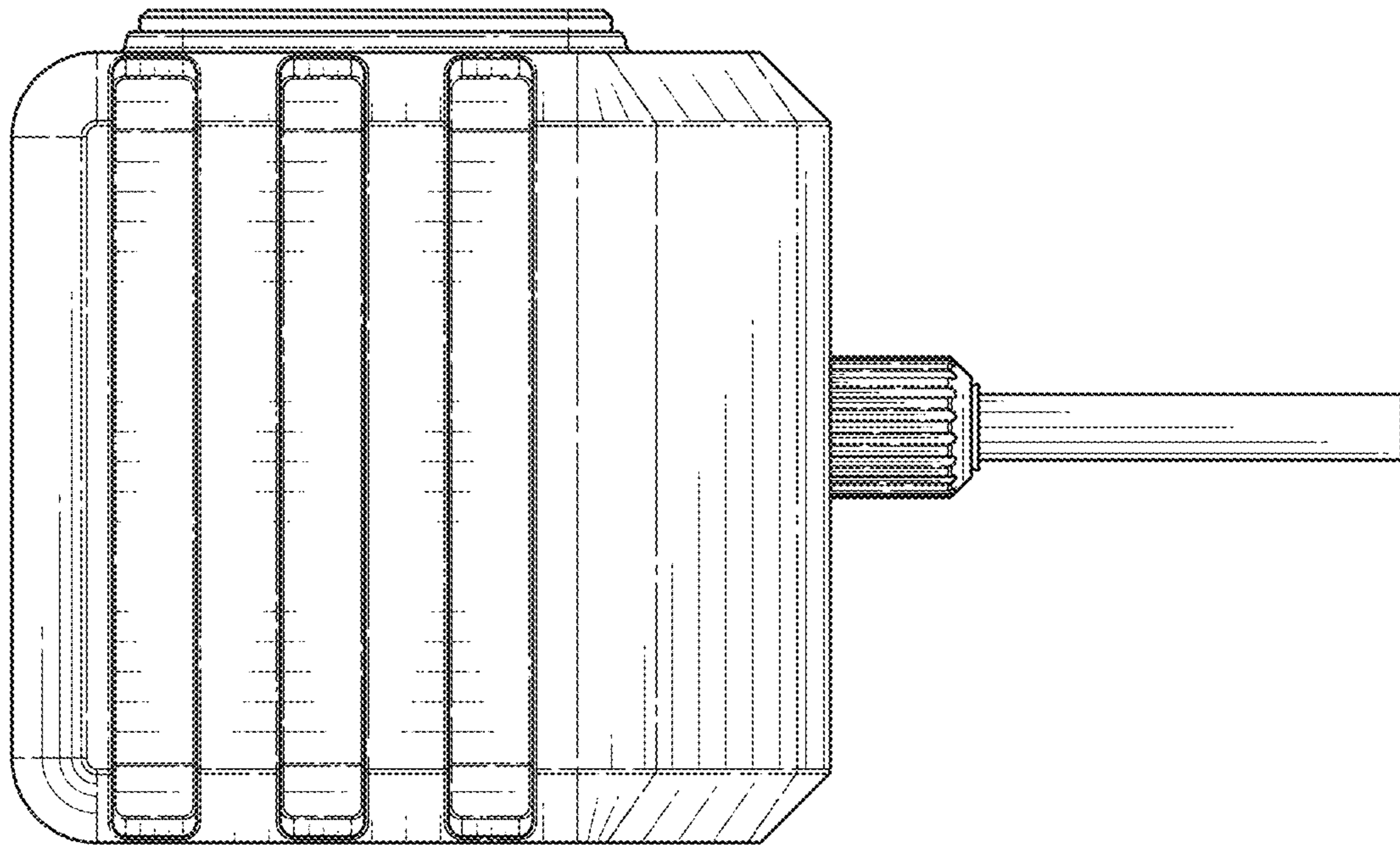


FIG. 6

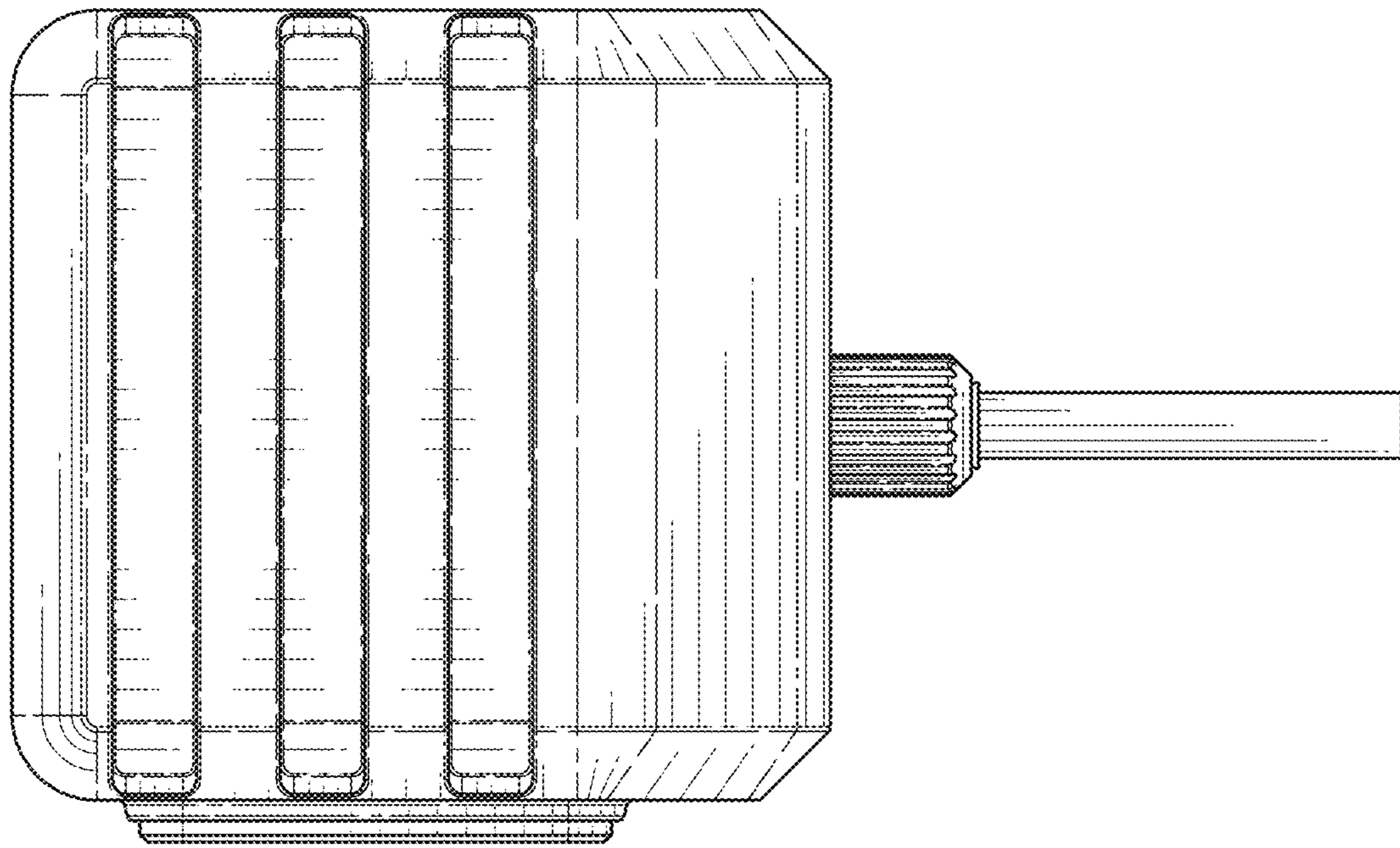


FIG. 7

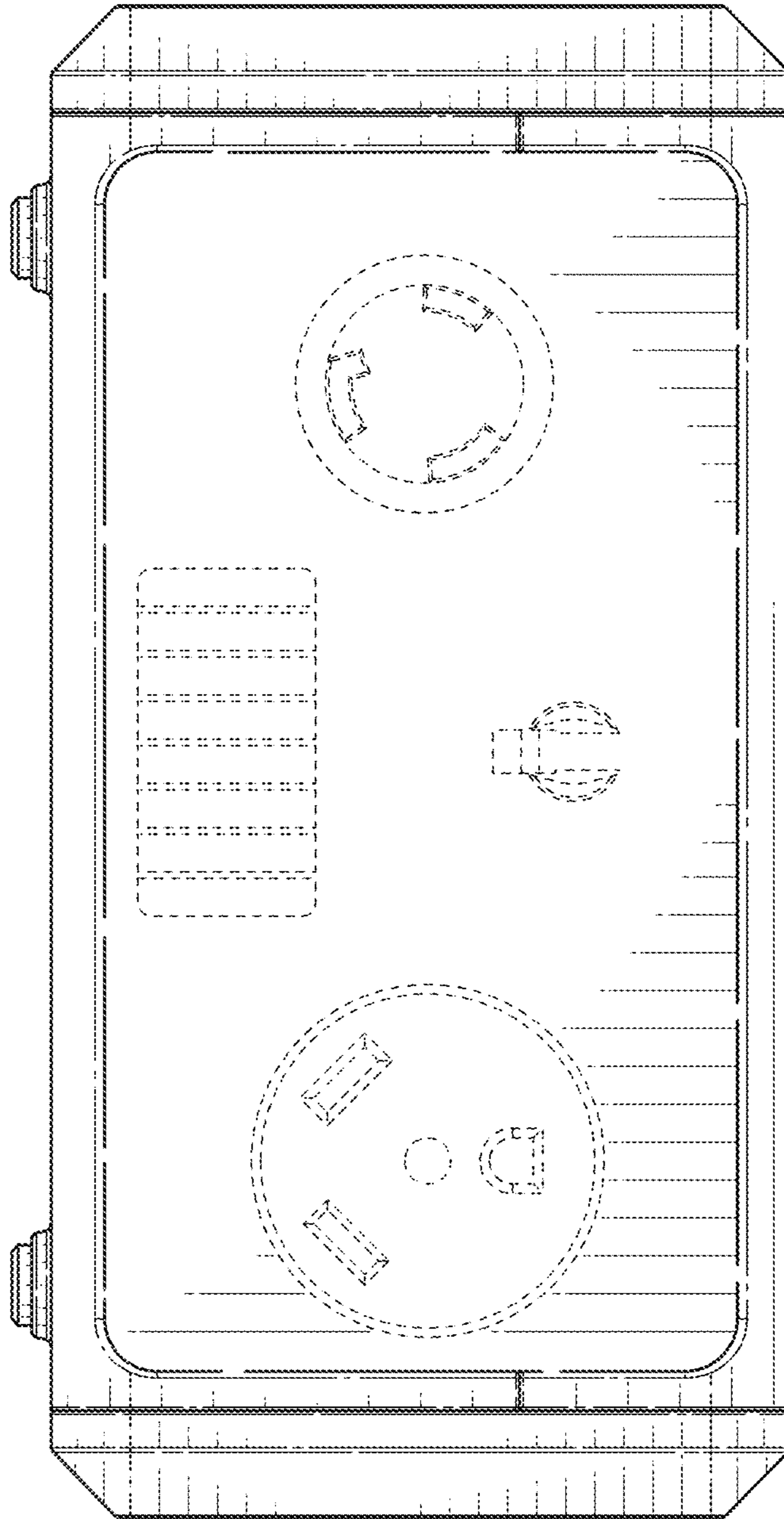


FIG. 8



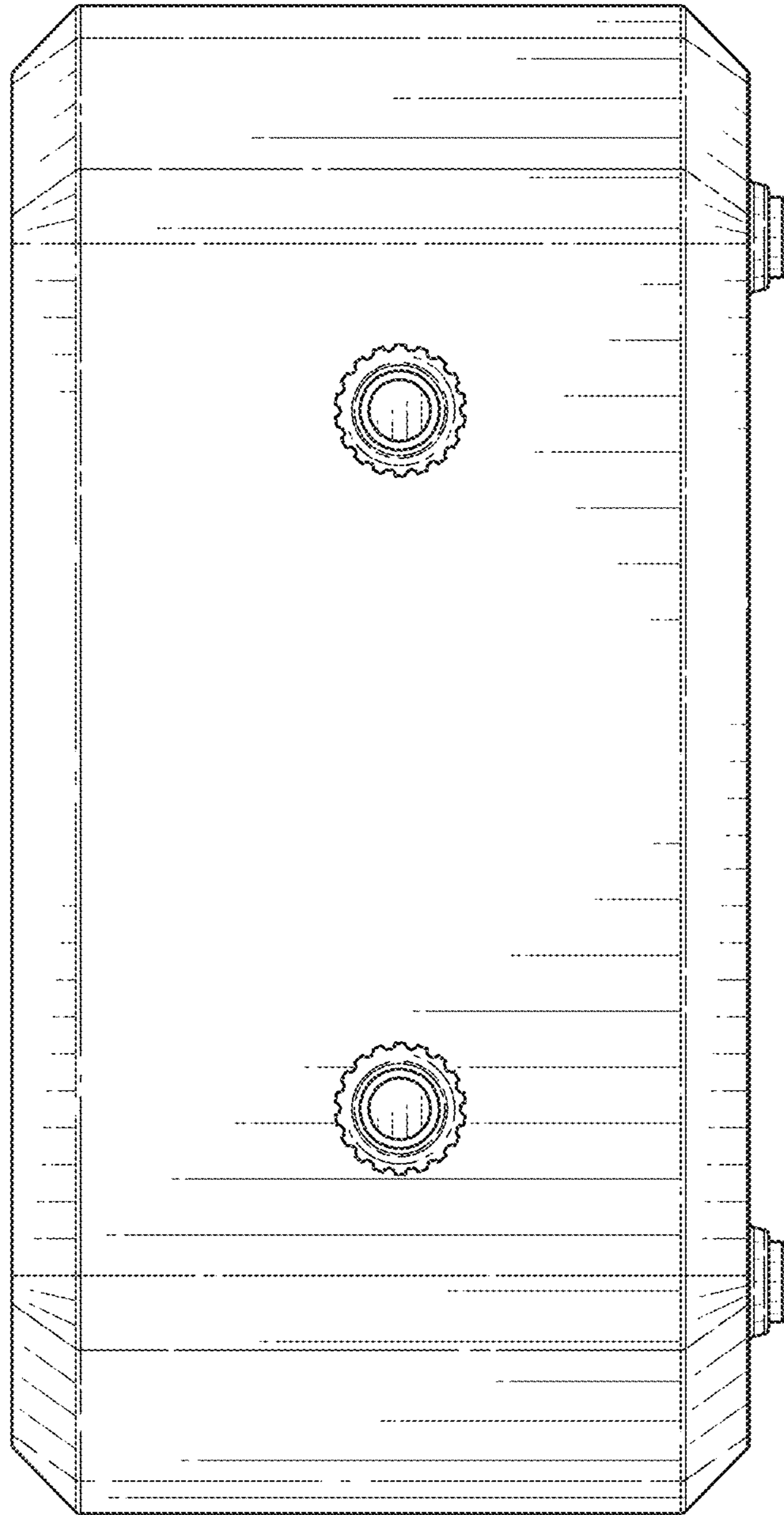


FIG. 9