



US00D913223S

(12) **United States Design Patent**
Li

(10) **Patent No.:** **US D913,223 S**

(45) **Date of Patent:** **** Mar. 16, 2021**

(54) **EARPHONE CHARGING CASE**

(71) Applicant: **SHENZHEN QIANHAI PATUOXUN NETWORK AND TECHNOLOGY CO., LTD**, Shenzhen (CN)

(72) Inventor: **Zewei Li**, Shenzhen (CN)

(73) Assignee: **SHENZHEN QIANHAI PATUOXUN NETWORK AND TECHNOLOGY CO., LTD.**, Shenzhen (CN)

(**) Term: **15 Years**

(21) Appl. No.: **29/752,495**

(22) Filed: **Sep. 28, 2020**

(51) **LOC (13) Cl.** **13-02**

(52) **U.S. Cl.**
USPC **D13/108; D3/294**

(58) **Field of Classification Search**

USPC D13/103, 107–110, 118–119, 184, 199;
D3/201, 218, 318, 321, 328, 269, 273,
D3/294, 274, 300; D14/217, 223, 238.1,
D14/440

CPC .. H02J 50/00; H02J 50/10; H02J 50/12; H02J
50/80; H02J 7/025; H02J 7/005; H02J
7/0026; H02J 7/0044; H02J 7/0045; H02J
7/0013; H02J 7/0003; A45C 2011/001;
A45C 2011/002; A45C 2011/003

See application file for complete search history.

(56) **References Cited**

U.S. PATENT DOCUMENTS

D586,557 S * 2/2009 Jalet D3/294
D738,110 S * 9/2015 Jiang D3/294
D817,640 S * 5/2018 Dang D3/294
D826,152 S * 8/2018 Christiansen D13/108
D838,480 S * 1/2019 Son D3/294
D841,580 S * 2/2019 Bao D13/108

D841,581 S * 2/2019 Bonahoom D13/108
D846,264 S * 4/2019 Wu D3/201
D864,110 S * 10/2019 Yoshimura D13/108
D870,451 S * 12/2019 Birger D3/201
D873,217 S * 1/2020 Zhang D13/108
D878,048 S * 3/2020 Wang D3/294
D881,810 S * 4/2020 Zhang D13/108
D886,454 S * 6/2020 Williamson D3/294
D886,455 S * 6/2020 Williamson D3/294
D887,351 S * 6/2020 Bonahoom D13/108
D894,123 S * 8/2020 Xiong D13/108
D902,588 S * 11/2020 Zhang D3/294
D902,589 S * 11/2020 Li D3/295
D904,025 S * 12/2020 Ma D3/295
D906,238 S * 12/2020 Zhang D13/108

(Continued)

Primary Examiner — Rosemary K Tarcza

(57) **CLAIM**

The ornamental design for an earphone charging case, as shown and described.

DESCRIPTION

FIG. 1 is a perspective view of an earphone charging case showing my new design;

FIG. 2 is another perspective view thereof;

FIG. 3 is a front elevational view thereof;

FIG. 4 is a rear elevational view thereof;

FIG. 5 is a left side elevational view thereof;

FIG. 6 is a right side elevational view thereof;

FIG. 7 is a top plan view thereof;

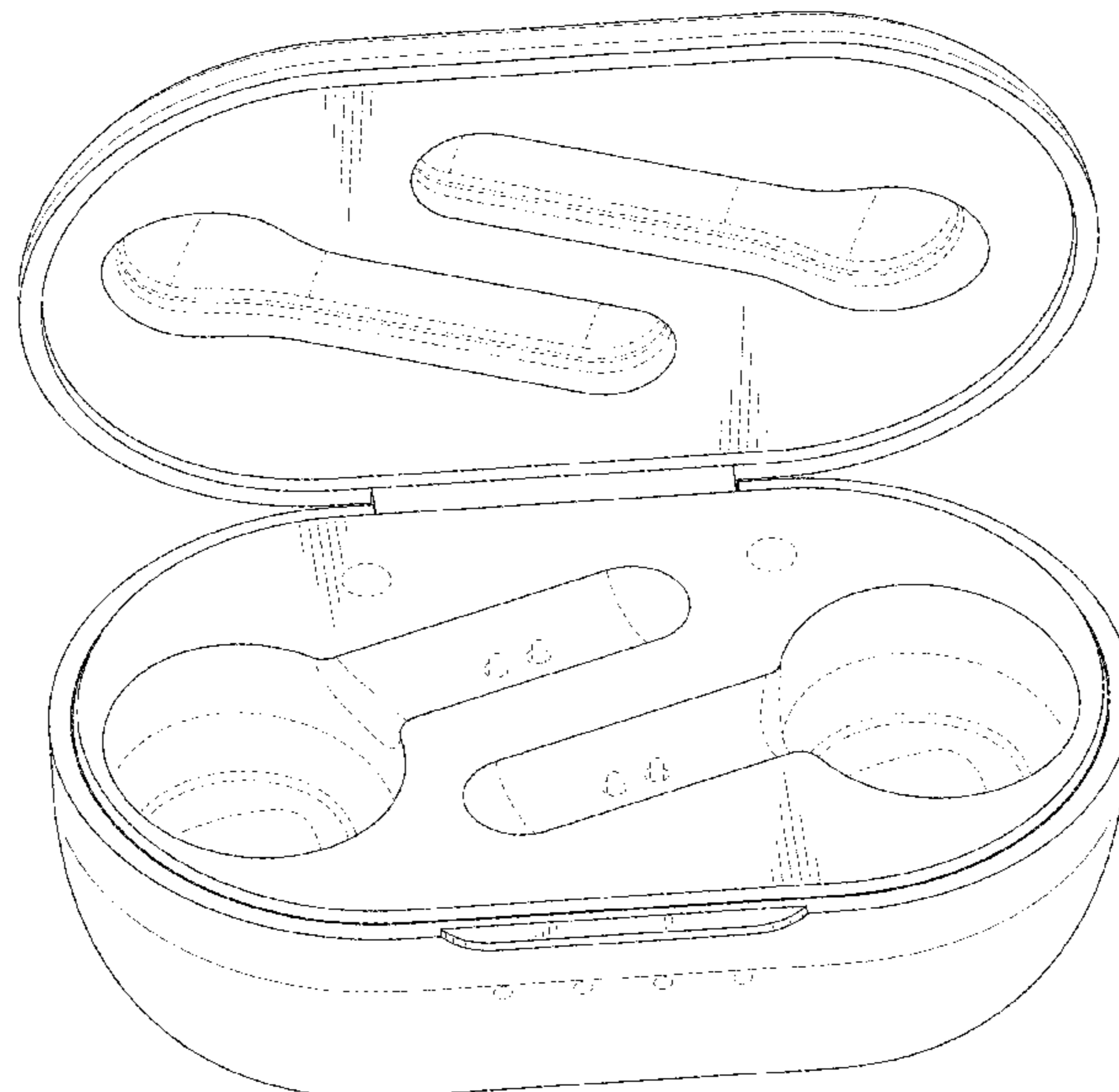
FIG. 8 is a bottom plan view thereof;

FIG. 9 is a perspective view of the earphone charging case where earphones are received in the earphone charging case; and,

FIG. 10 is a perspective view of the earphone charging case where the earphone charging case is in a closed position.

The broken lines in the drawings depict environmental structure and portions of the earphone charging case that form no part of the claimed design.

1 Claim, 10 Drawing Sheets



(56)

References Cited

U.S. PATENT DOCUMENTS

2019/0069066 A1* 2/2019 Song H04R 1/1041
2020/0304899 A1* 9/2020 Cramer A45C 11/00

* cited by examiner

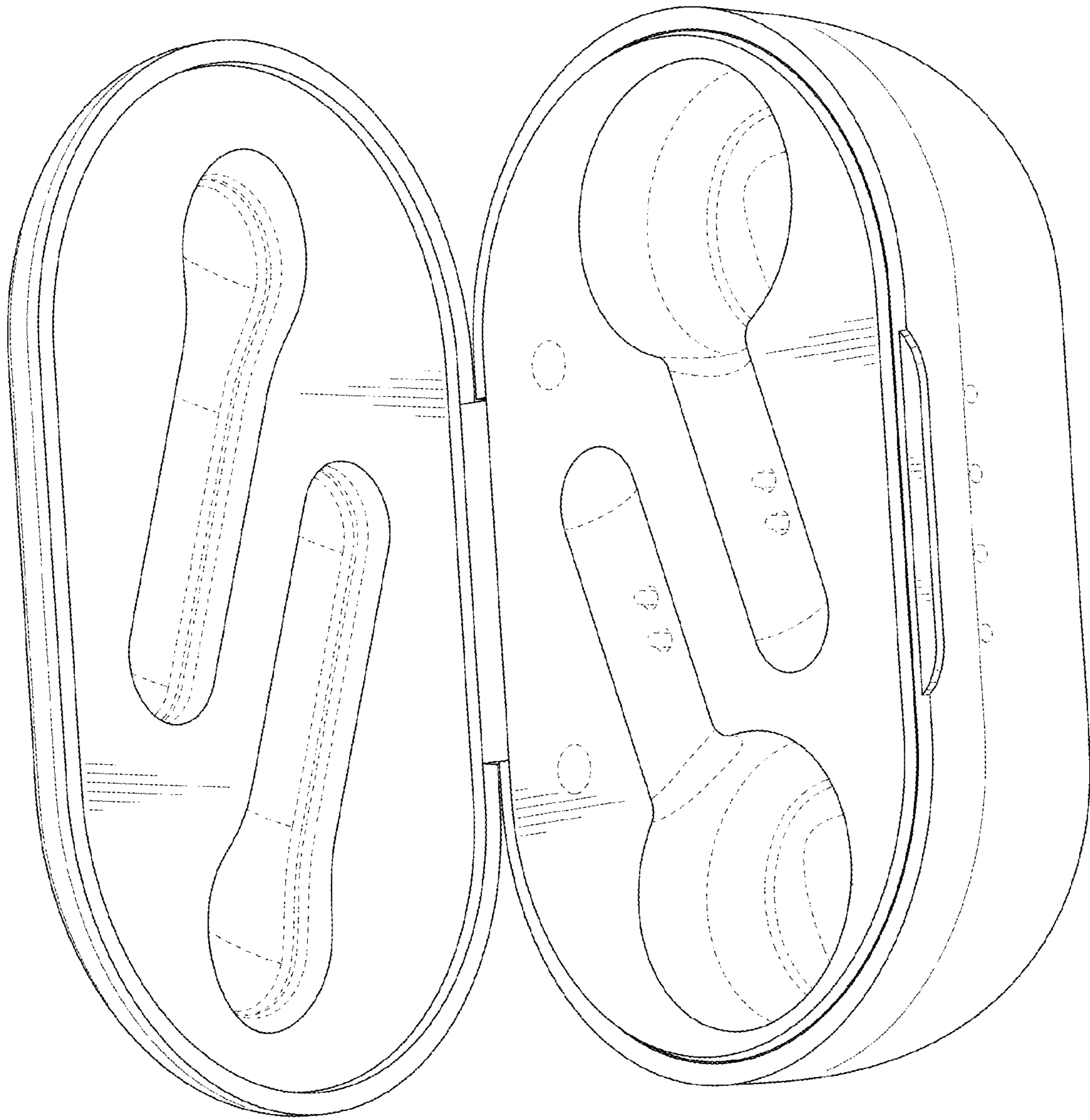


FIG. 1

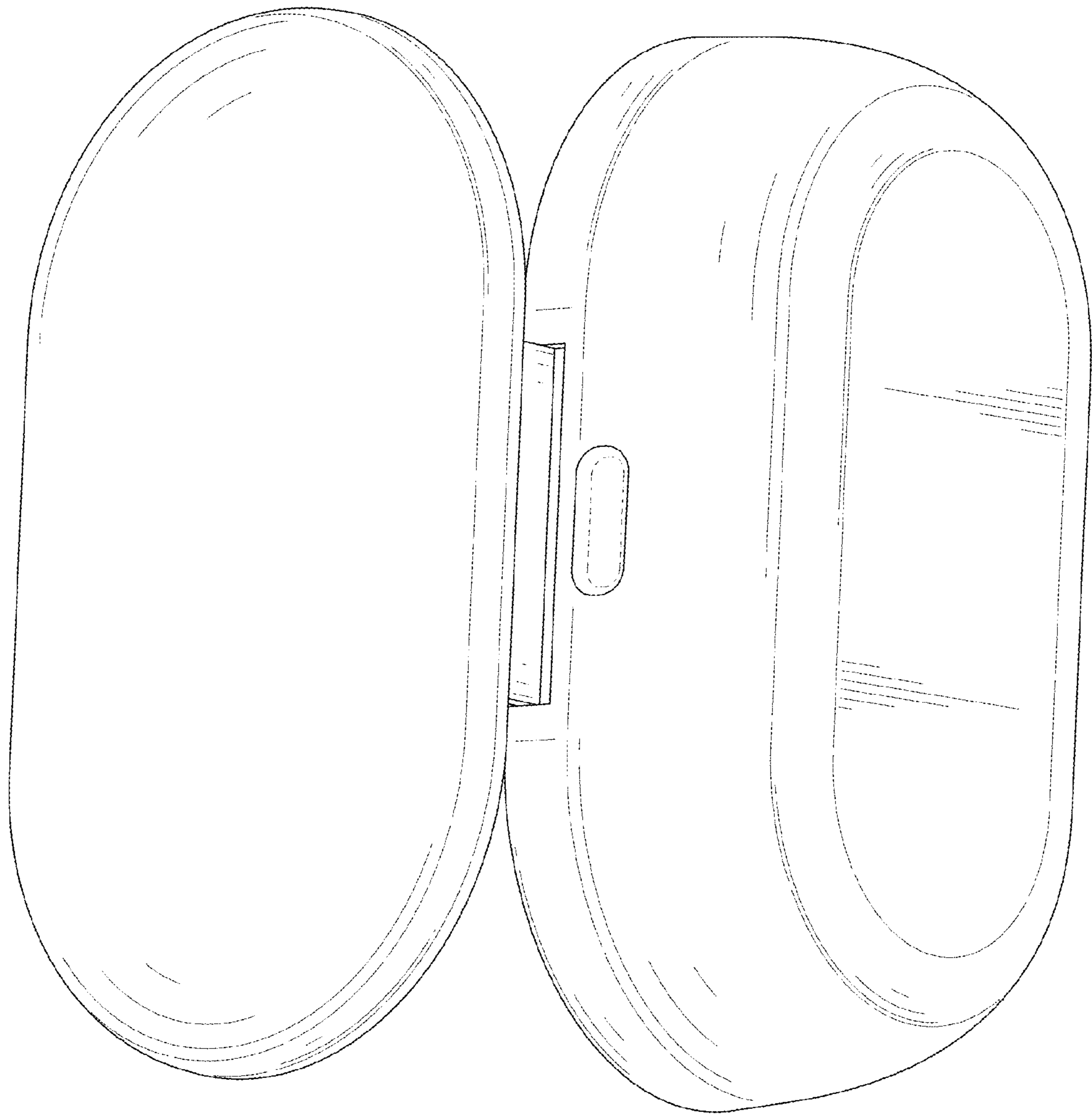


FIG. 2

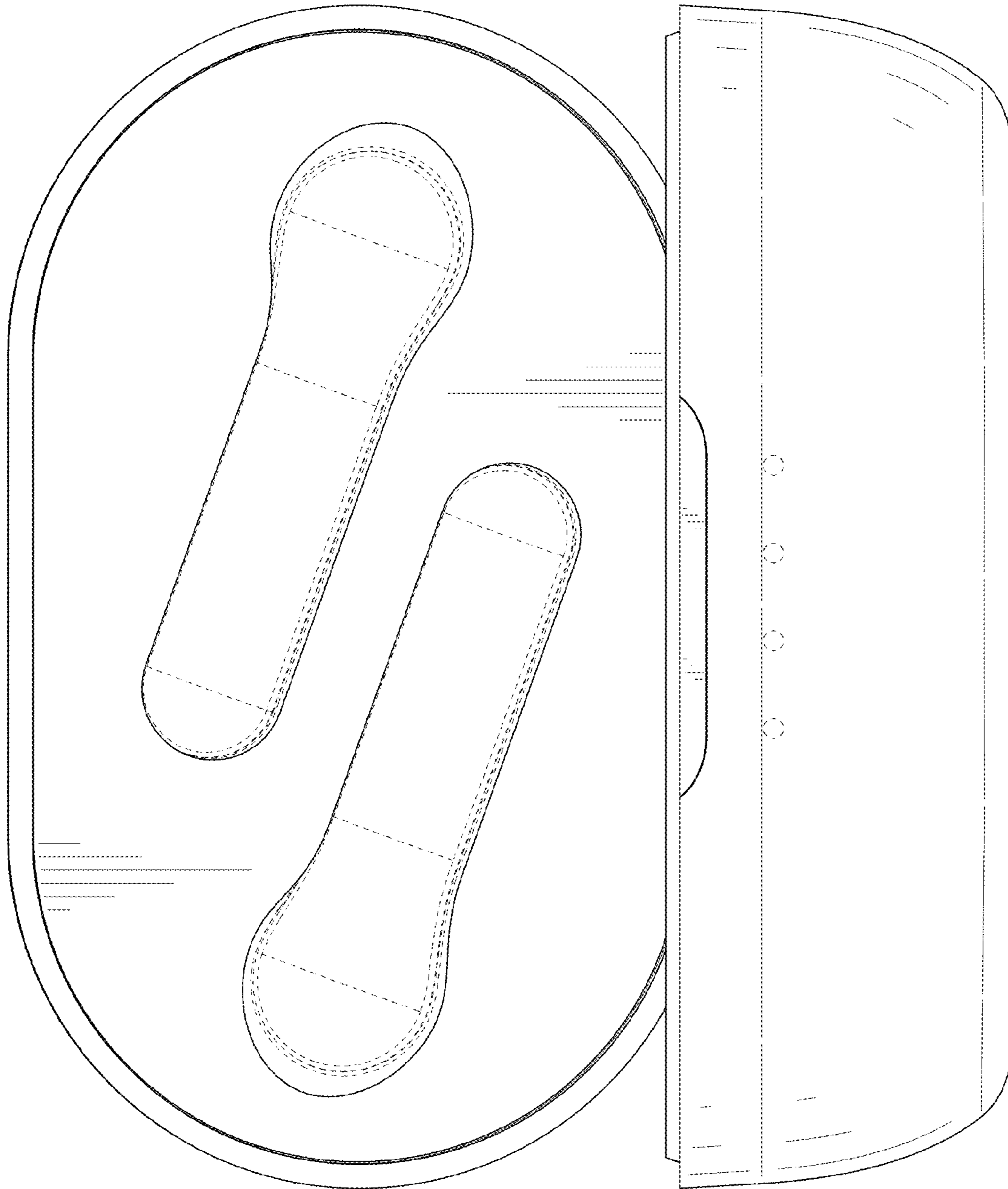


FIG. 3

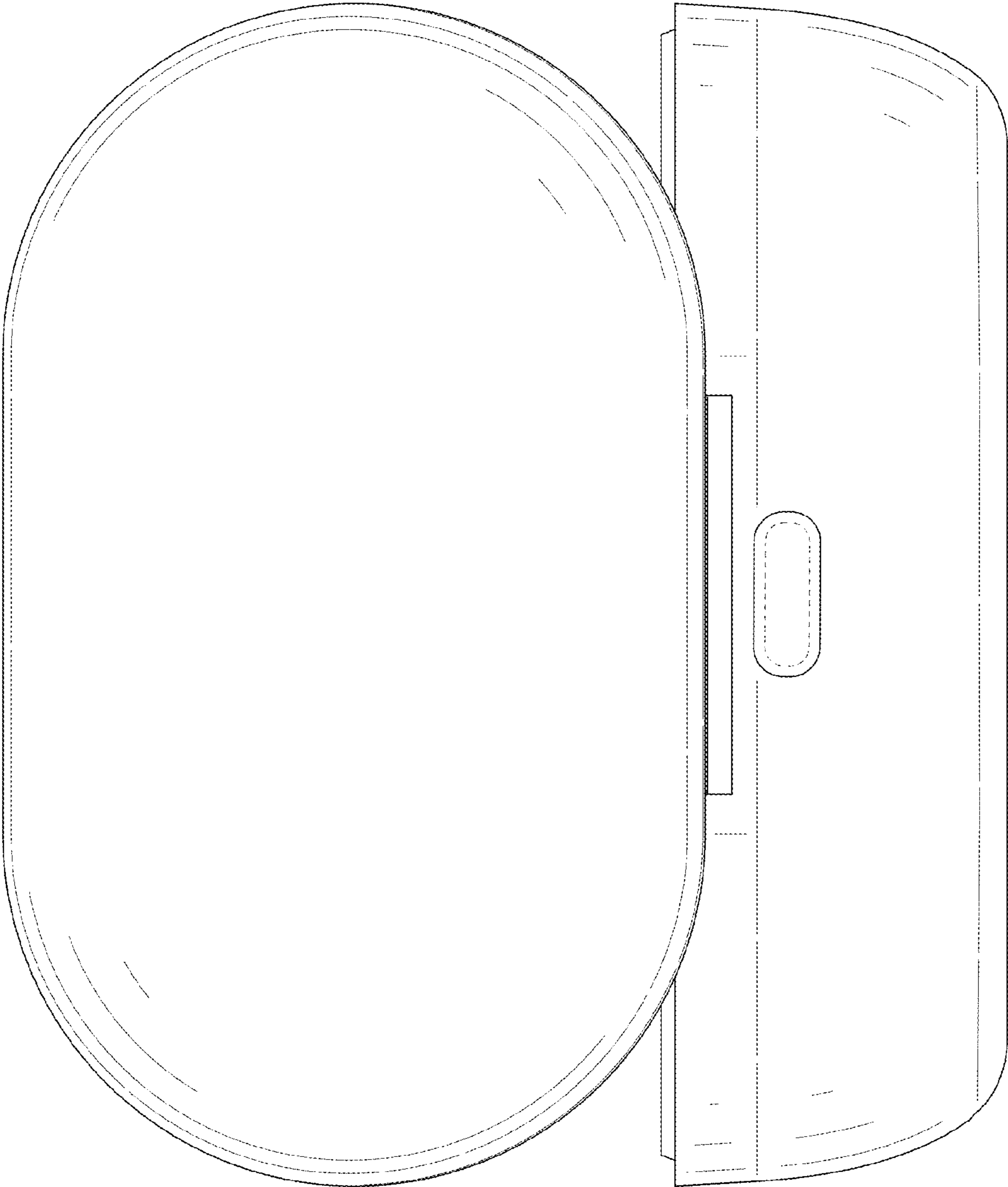


FIG. 4

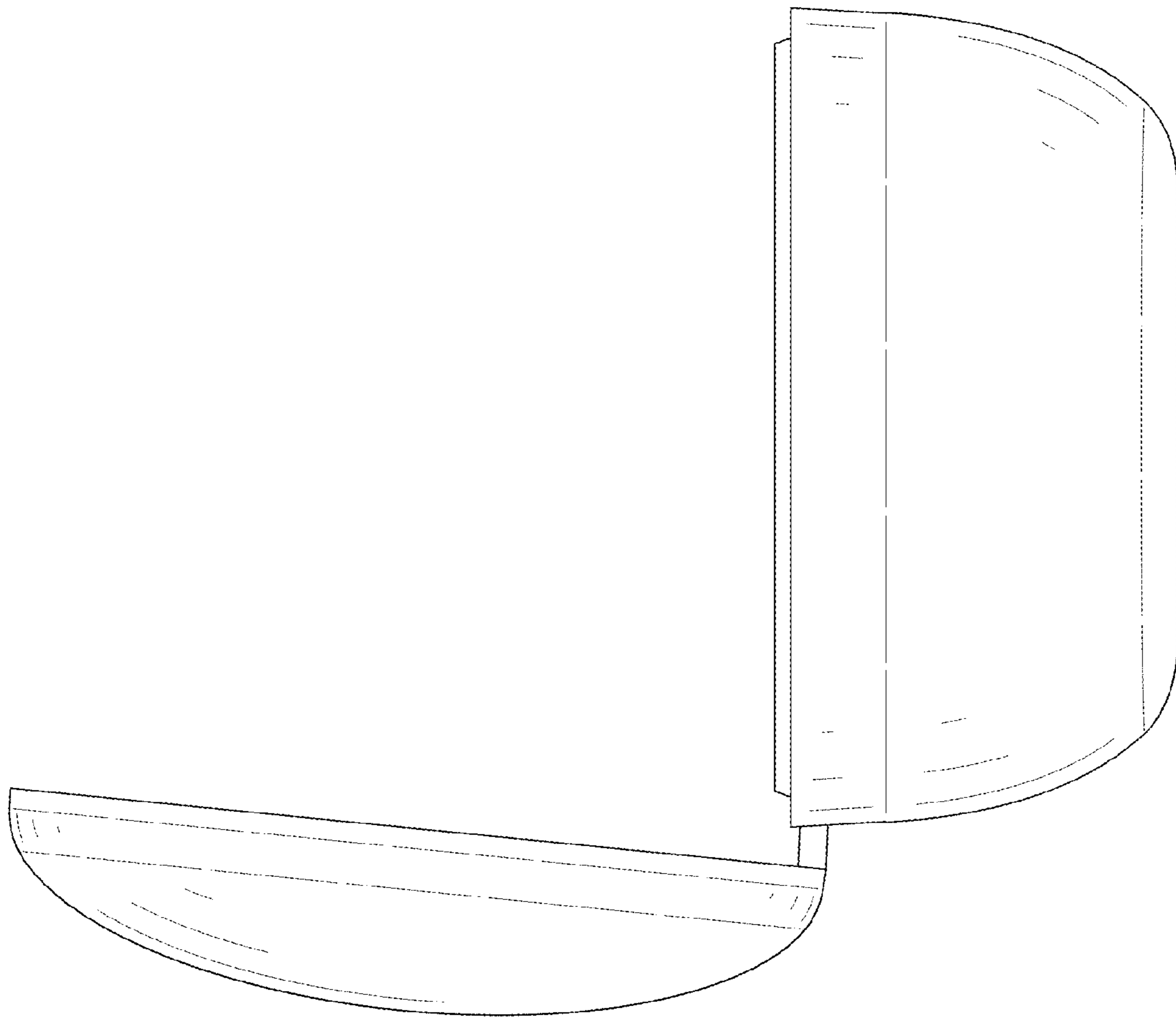


FIG. 5

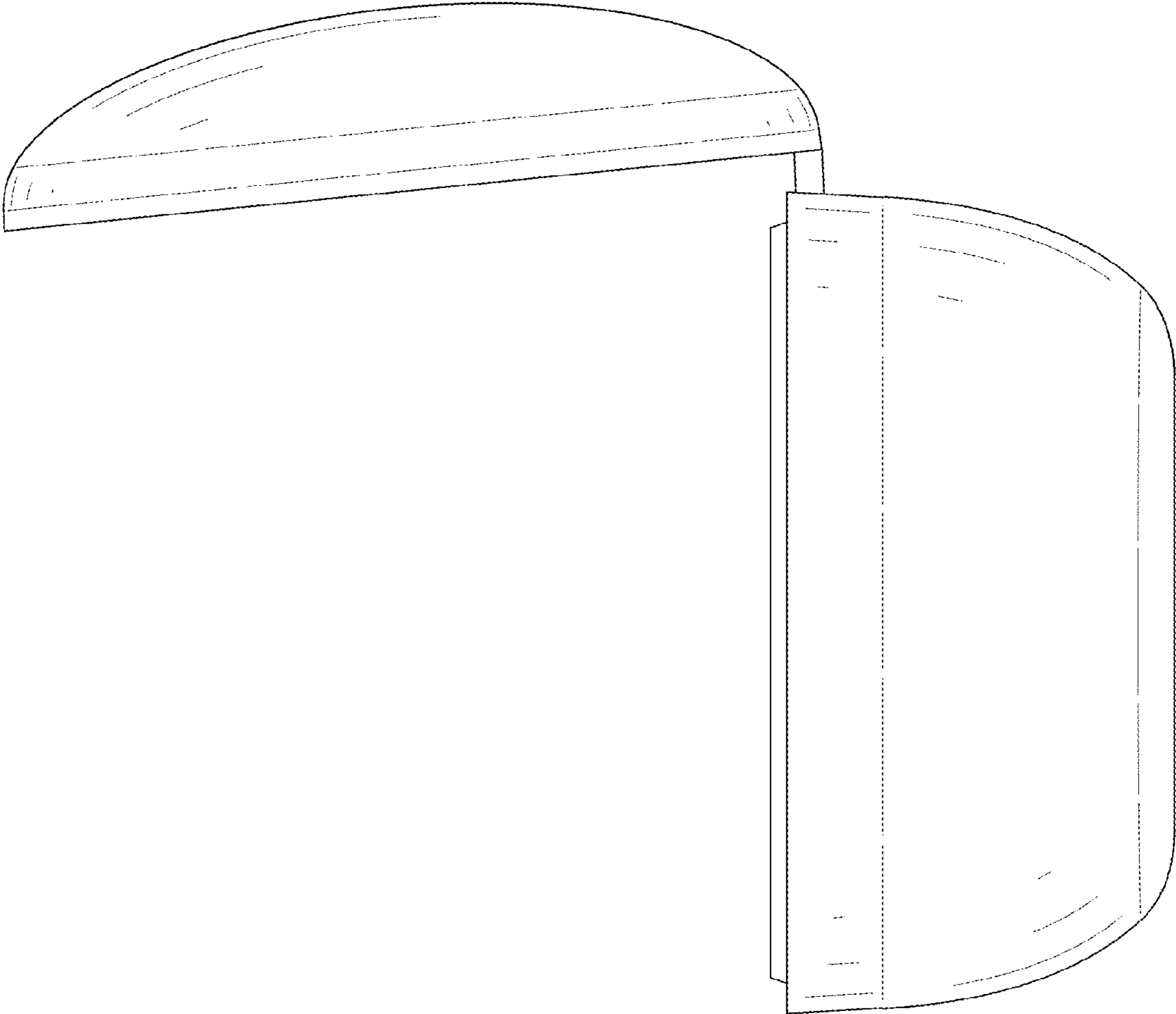


FIG. 6

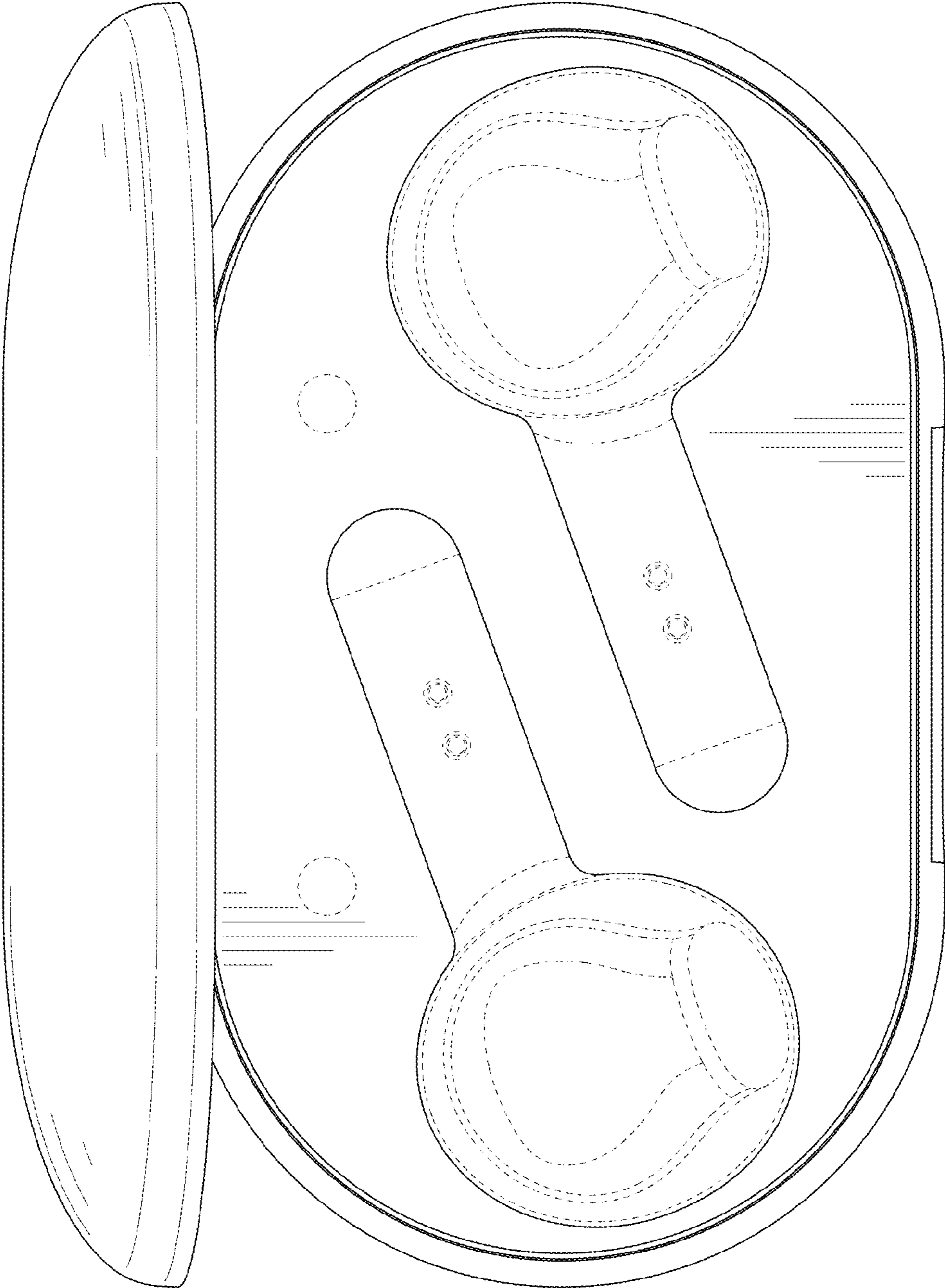


FIG. 7

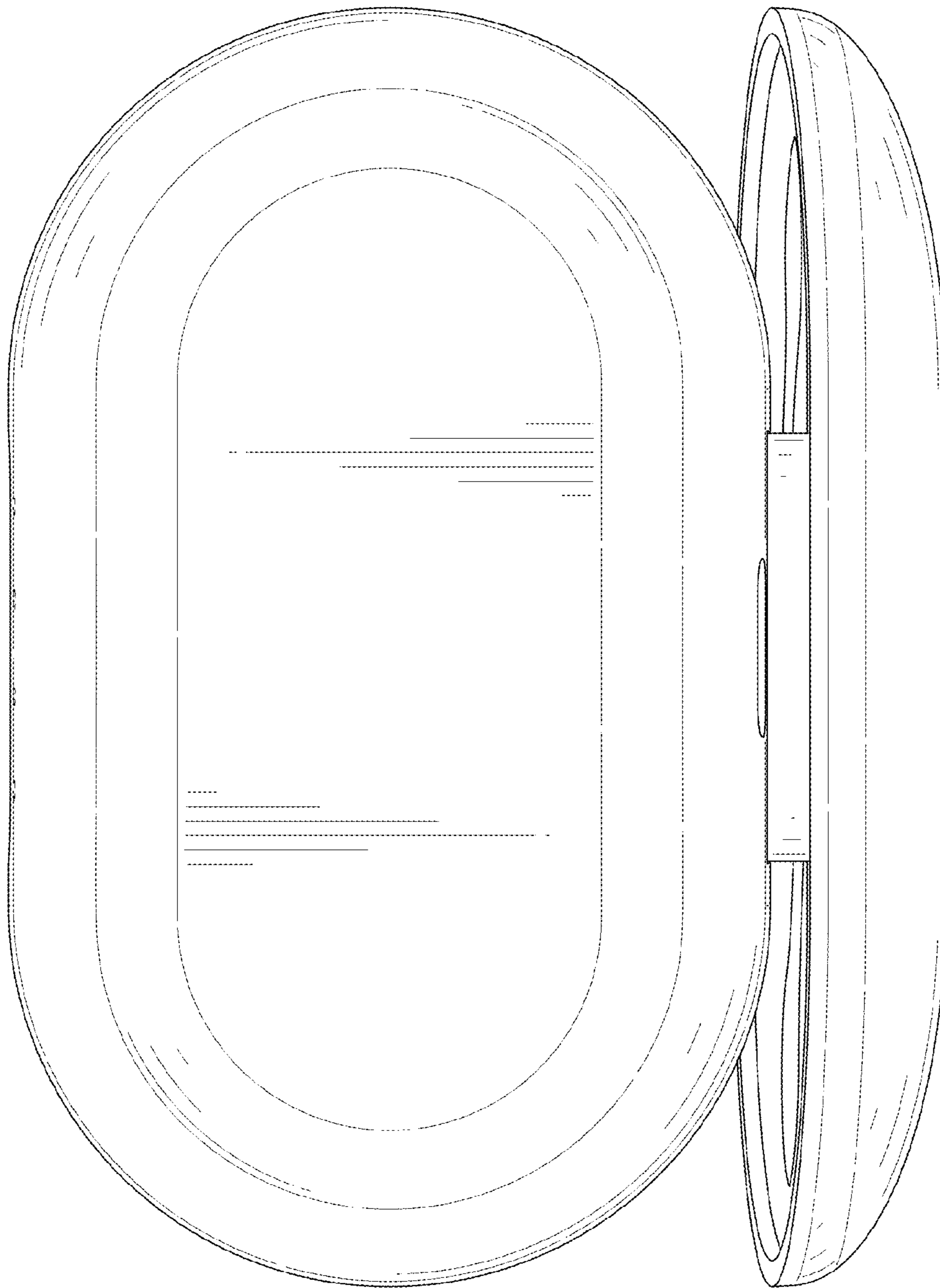


FIG. 8

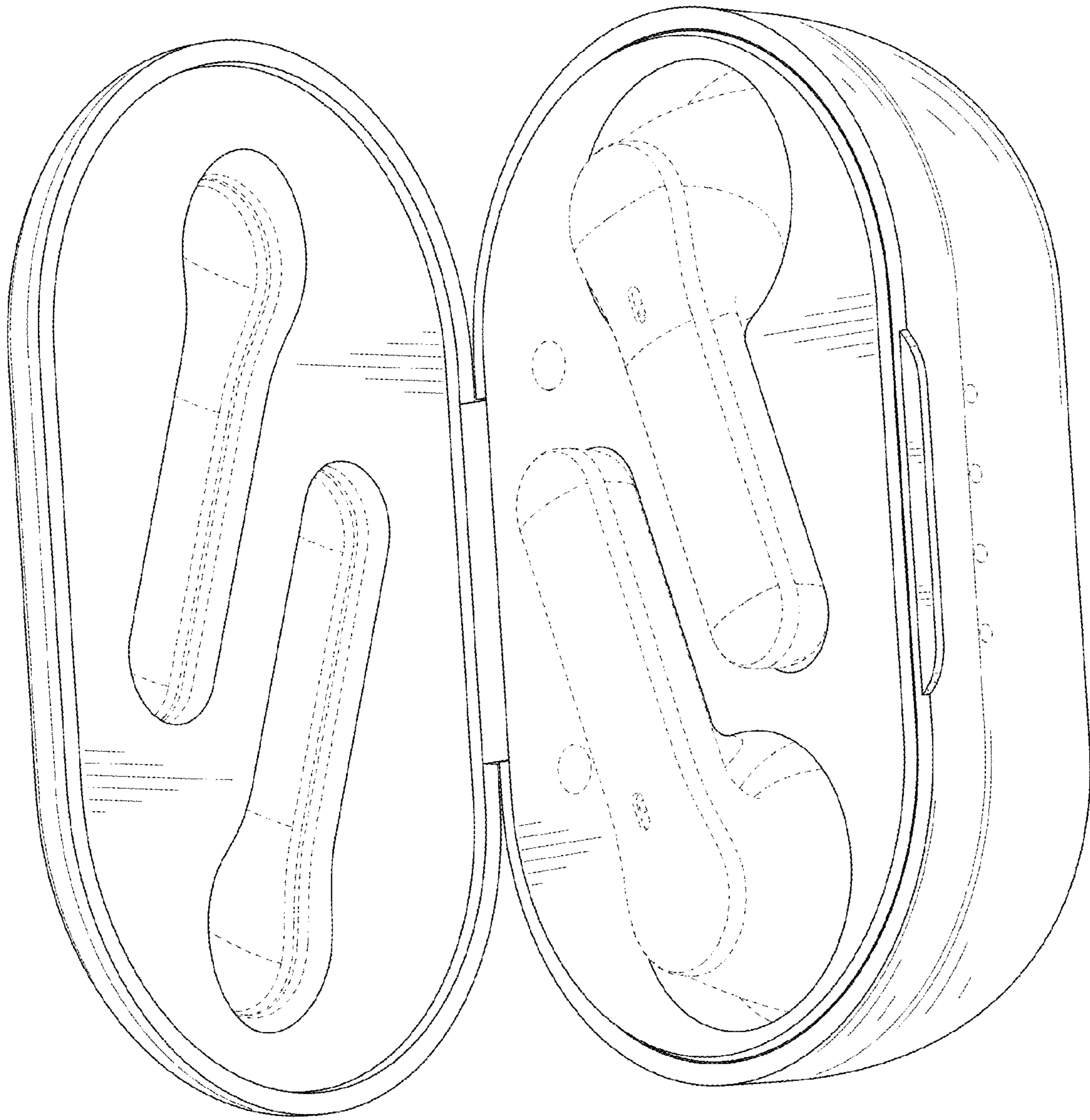


FIG. 9

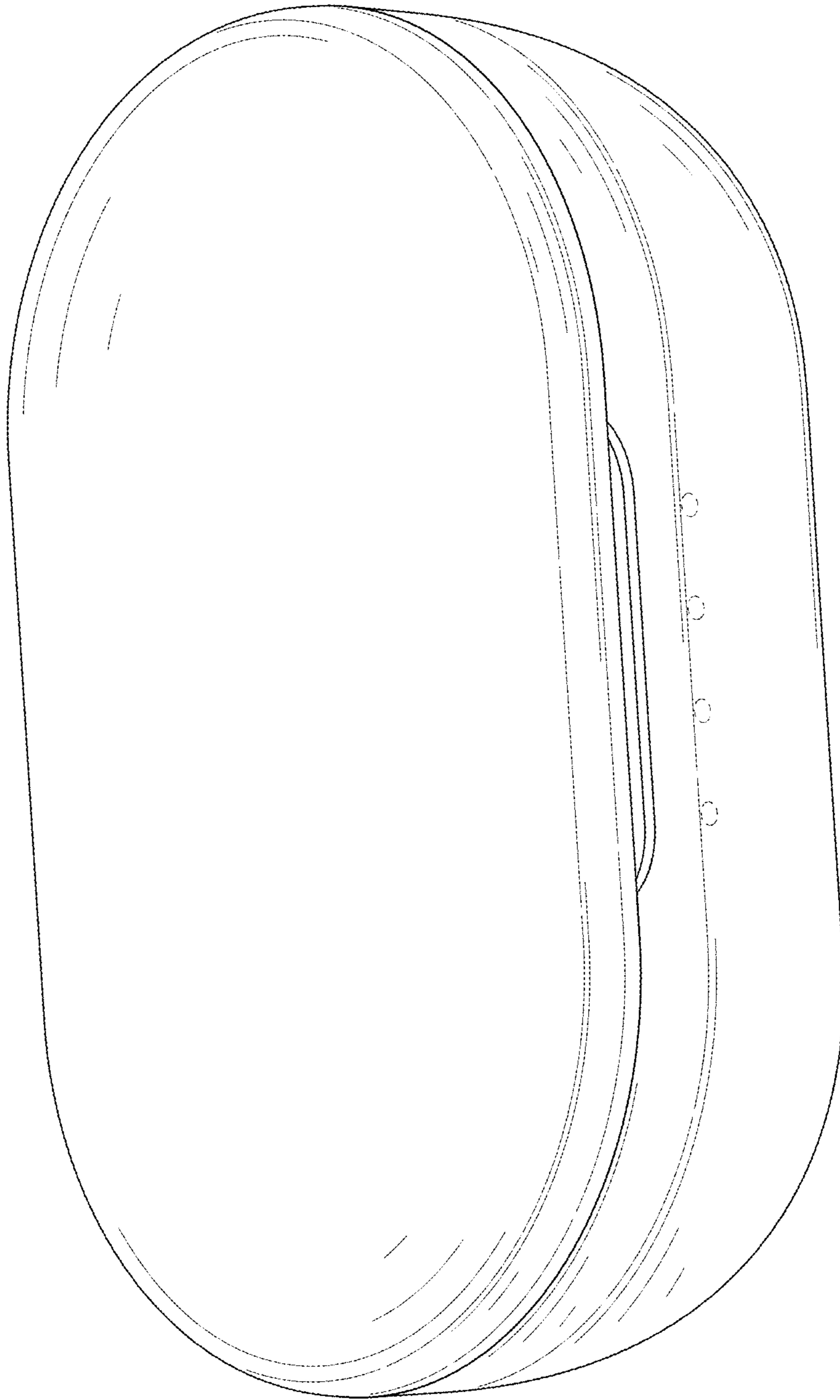


FIG. 10