



US00D913222S

(12) **United States Design Patent**  
**Albay et al.**

(10) **Patent No.:** **US D913,222 S**  
(45) **Date of Patent:** **\*\* Mar. 16, 2021**

(54) **CHARGER FOR ELECTRIC TOOTHBRUSH**

(71) Applicant: **Braun GmbH**, Kronberg (DE)

(72) Inventors: **Devran Albay**, Frankfurt (DE); **Moritz Carlo Honisch**, Frankfurt (DE); **Dominik Langhammer**, Frankfurt (DE); **Rüdiger Boss**, Frankfurt (DE)

(73) Assignee: **Braun GmbH**, Kronberg (DE)

(\*\*) Term: **15 Years**

(21) Appl. No.: **29/688,186**

(22) Filed: **Apr. 18, 2019**

(30) **Foreign Application Priority Data**

Oct. 22, 2018 (WO) ..... 76474

(51) **LOC (13) Cl.** ..... **13-02**

(52) **U.S. Cl.**  
USPC ..... **D13/108**

(58) **Field of Classification Search**  
USPC ..... D13/103, 107-108, 110, 184, 199;  
D14/251, 253, 432, 434  
CPC ..... H02J 7/0044; H02J 7/0045; H02J 7/0042;  
H02J 7/342; H02J 7/345; H02J 7/025;  
H02J 7/026; H02J 7/0007; H02J 7/0027;  
H02J 7/0003; H02J 50/00; H02J 50/10;  
H02J 50/12; H02J 50/80; H02J 50/40;  
H02J 50/402; H02J 50/50  
See application file for complete search history.

(56) **References Cited**

**U.S. PATENT DOCUMENTS**

D300,678 S \* 4/1989 Barrault ..... D13/108  
D475,417 S \* 6/2003 Wintersteiger ..... D14/432  
D476,376 S \* 6/2003 Wintersteiger ..... D14/432  
D526,973 S \* 8/2006 Gates ..... D13/168

D697,027 S \* 1/2014 Ho ..... D13/108  
D718,236 S \* 11/2014 Murray ..... D13/108  
D718,712 S \* 12/2014 Aumiller ..... D13/108  
D725,034 S \* 3/2015 Chen ..... D13/108  
D735,131 S \* 7/2015 Akana ..... D13/108  
D737,760 S \* 9/2015 Kyriakoulis ..... D13/108  
D738,303 S \* 9/2015 Symons ..... D13/108  
D740,750 S \* 10/2015 Mayden ..... D13/108  
D747,267 S \* 1/2016 Aumiller ..... D13/108  
D749,504 S \* 2/2016 Jeong ..... D13/108  
D757,014 S \* 5/2016 Hahn ..... D14/434  
D768,570 S \* 10/2016 Shigeno ..... D13/108  
D768,635 S \* 10/2016 Due ..... D14/432  
D772,813 S \* 11/2016 Wahl ..... D13/108  
D774,455 S \* 12/2016 Kim ..... D13/108  
D777,100 S \* 1/2017 Price ..... D13/103  
D782,973 S \* 4/2017 Zhou ..... D13/108  
D784,259 S \* 4/2017 Huang ..... D13/108  
D784,978 S \* 4/2017 Hobbs ..... D14/253  
D786,792 S \* 5/2017 Miller ..... D13/110  
D794,556 S \* 8/2017 Liao ..... D13/107

(Continued)

*Primary Examiner* — Rosemary K Tarcza

(74) *Attorney, Agent, or Firm* — Vladimir Vitenberg

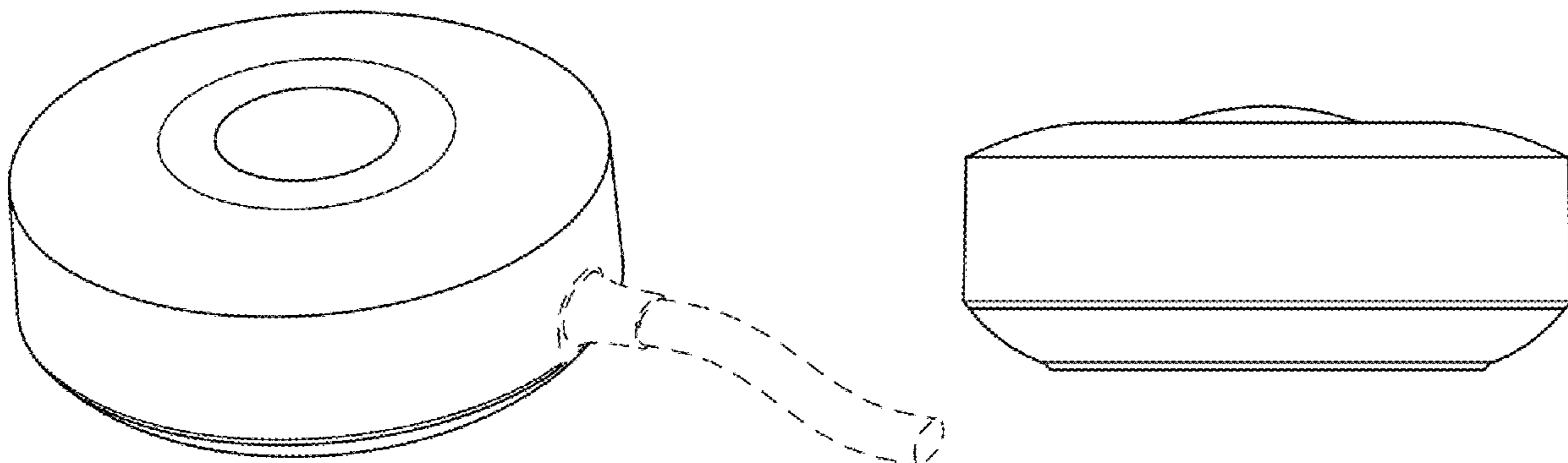
(57) **CLAIM**

The ornamental design for a charger for electric toothbrush, as shown and described.

**DESCRIPTION**

FIG. 1 is a perspective view of a charger for electric toothbrush;  
FIG. 2 is a front view thereof;  
FIG. 3 is a right-side view thereof;  
FIG. 4 is a rear view thereof;  
FIG. 5 is a left-side view thereof;  
FIG. 6 is a top plan view thereof; and,  
FIG. 7 is a bottom view thereof.  
Broken lines are used in the drawings to designate environmental structures or parts of the charger for electric toothbrush that form no part of the claim.

**1 Claim, 1 Drawing Sheet**



(56)

**References Cited**

U.S. PATENT DOCUMENTS

D794,557 S *	8/2017	Kim .....	D13/108
D795,182 S *	8/2017	Akana .....	D13/108
D795,183 S *	8/2017	Akana .....	D13/108
D797,042 S *	9/2017	Miller .....	D13/107
D800,060 S *	10/2017	Solland .....	D13/108
D809,456 S *	2/2018	Miller .....	D13/110
D810,015 S *	2/2018	Carreon .....	D13/108
D810,680 S *	2/2018	Carreon .....	D13/108
D812,563 S *	3/2018	Akana .....	D13/108
D817,268 S *	5/2018	Symons .....	D13/108
D825,549 S *	8/2018	Lebovitz .....	D14/253
D884,624 S *	5/2020	Lei .....	D13/108
D886,052 S *	6/2020	Albay .....	D13/108

\* cited by examiner

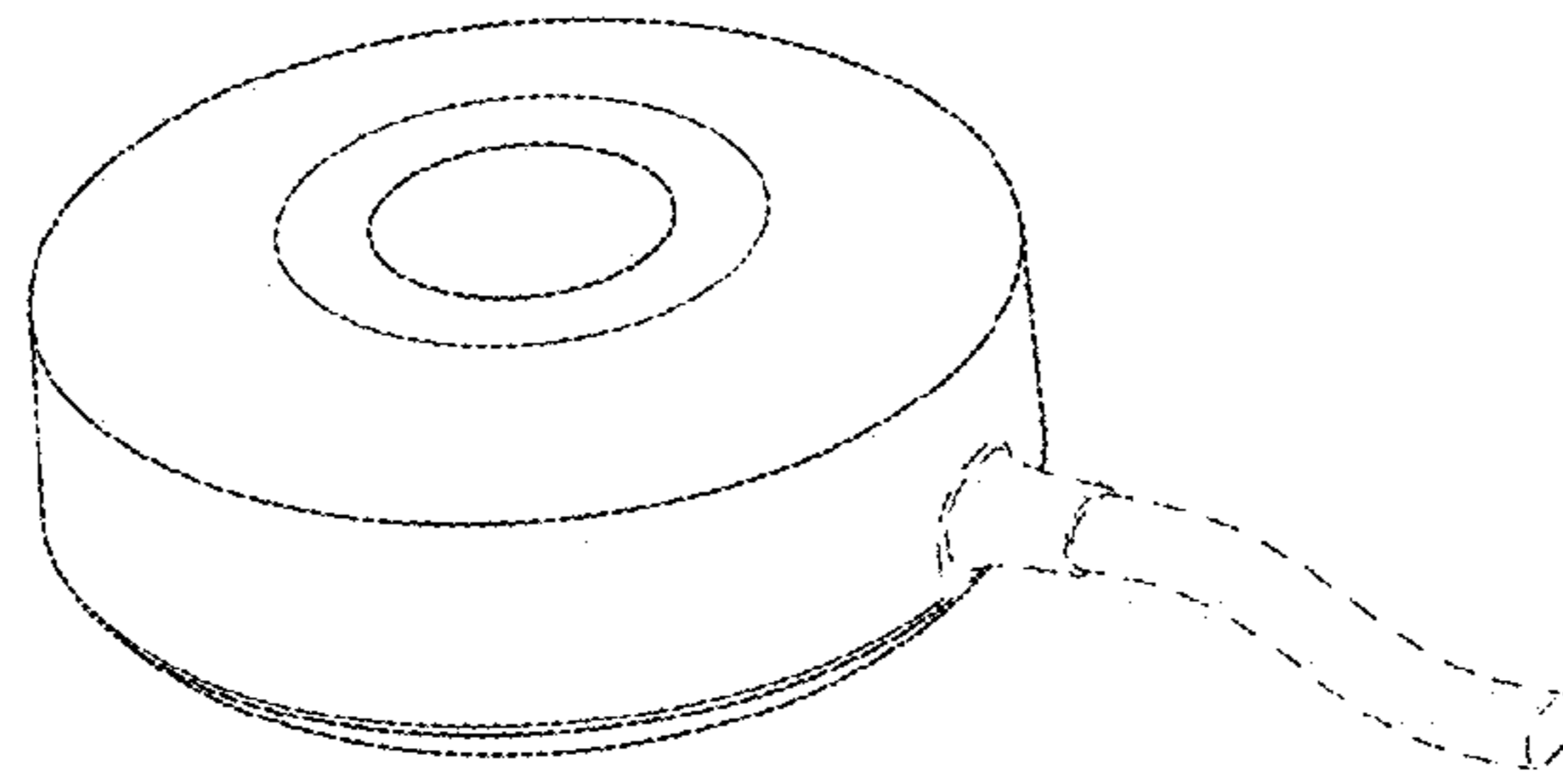


FIG. 1

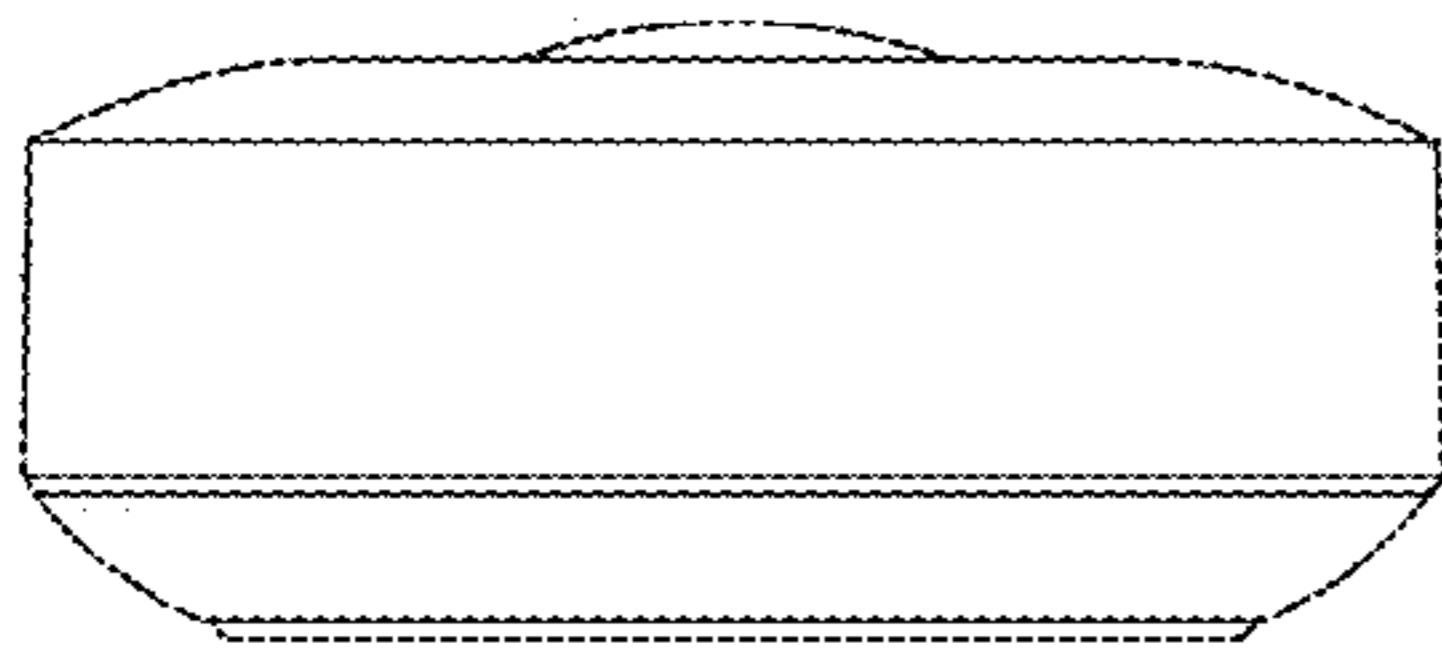


FIG. 2

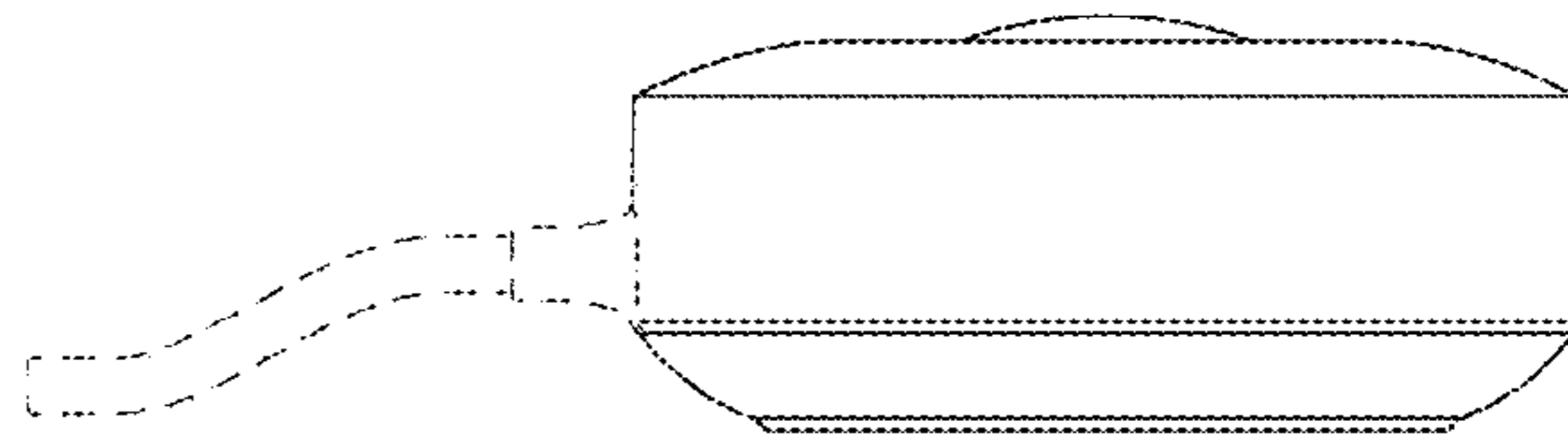


FIG. 3

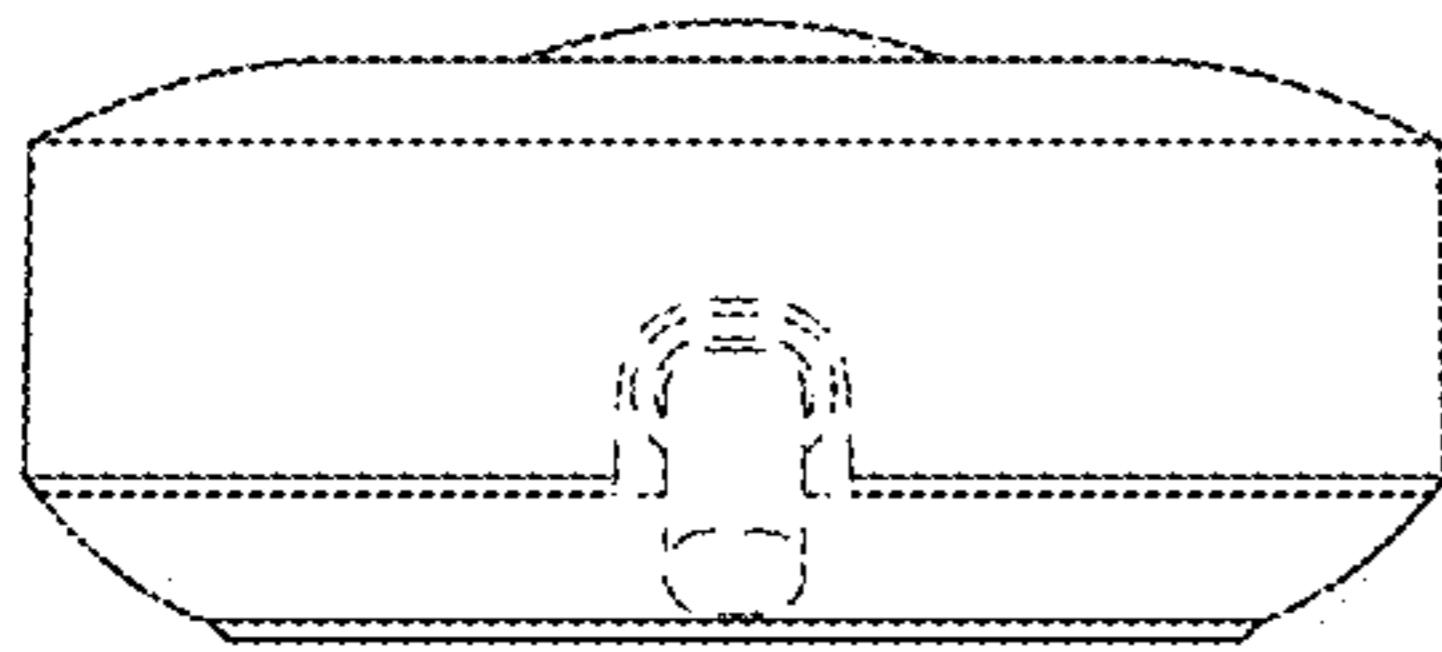


FIG. 4

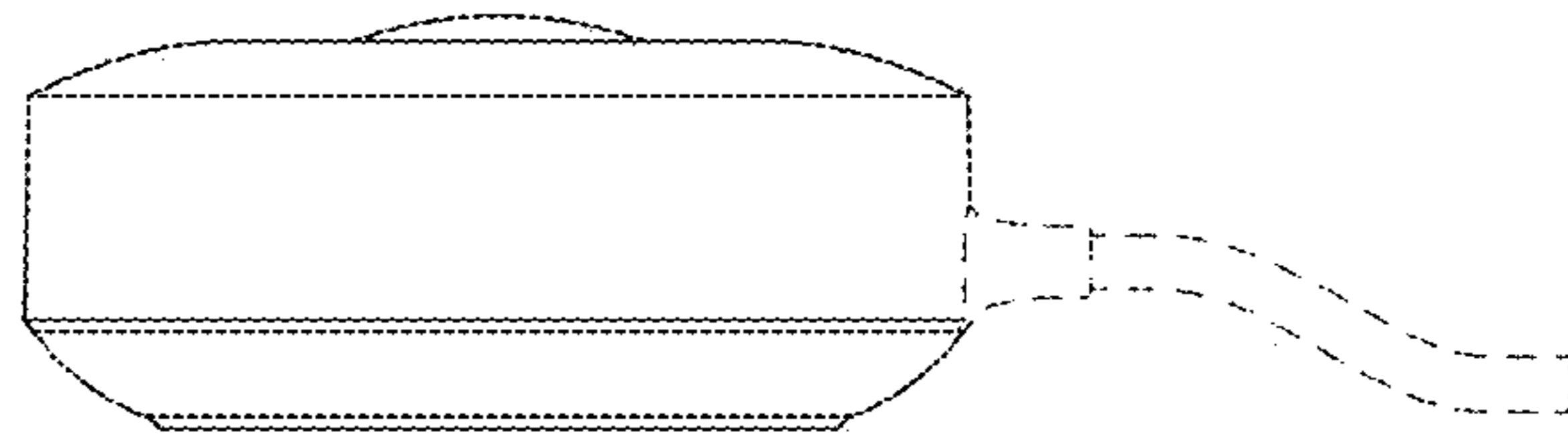


FIG. 5

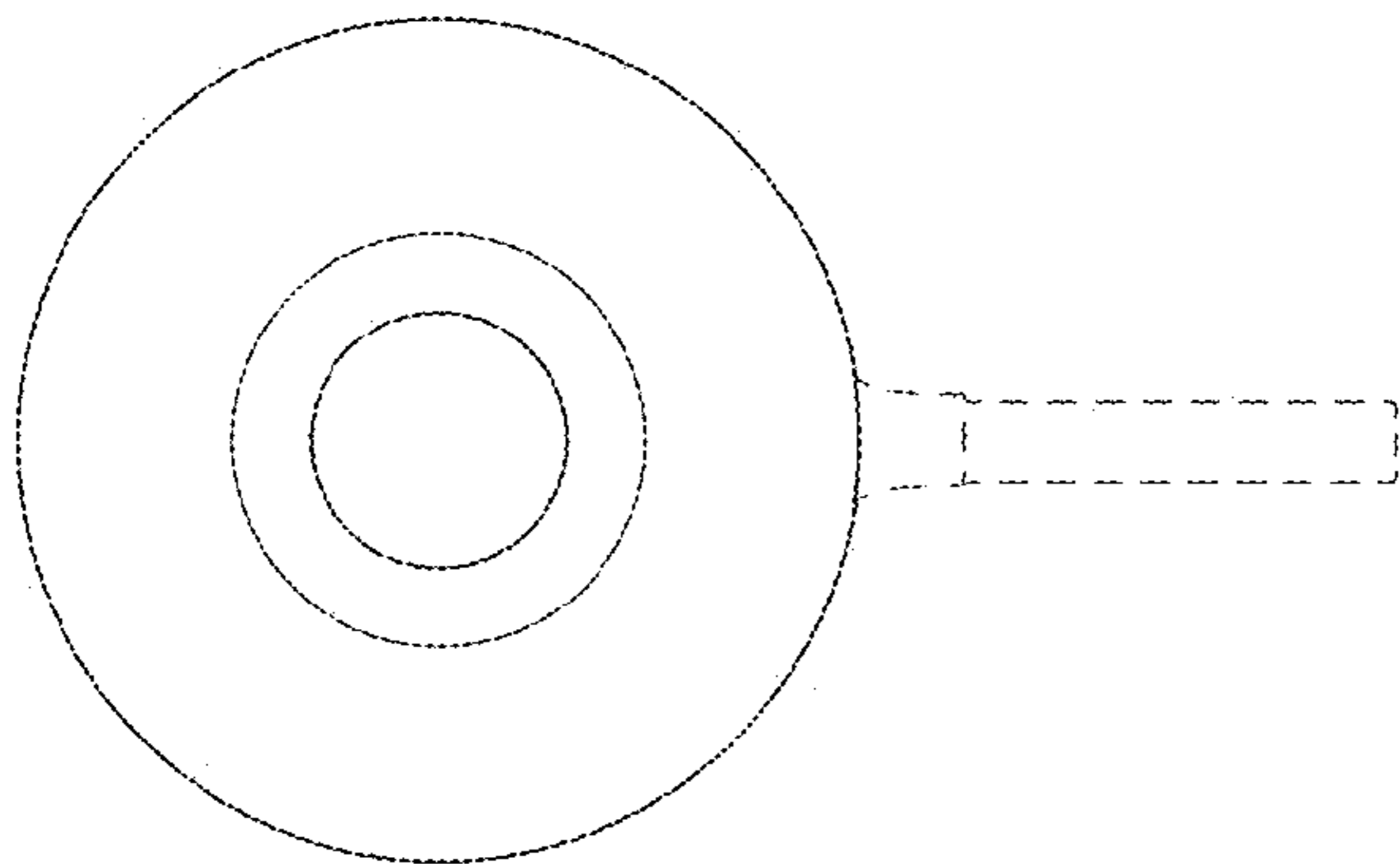


FIG. 6

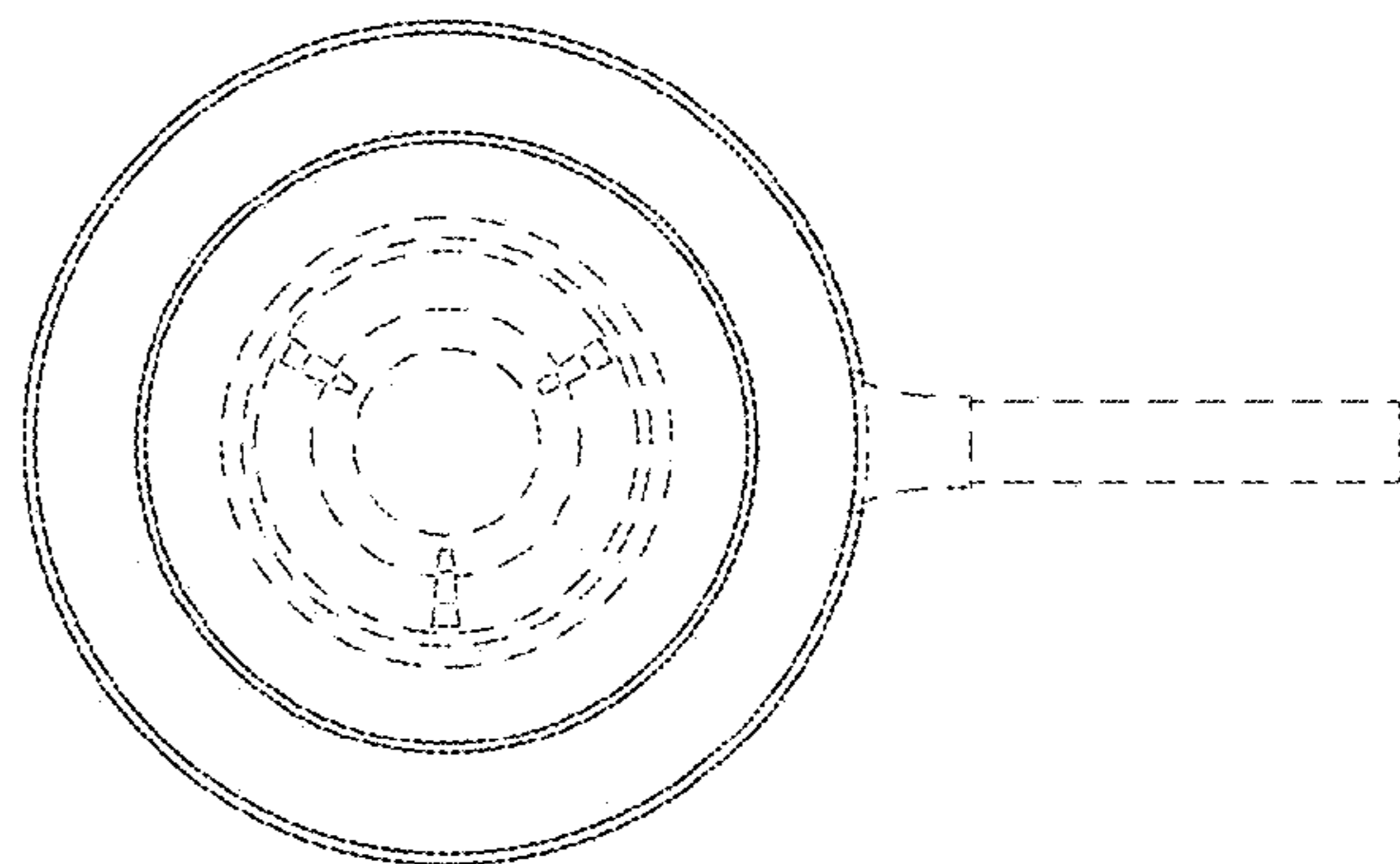


FIG. 7