



US00D913219S

(12) **United States Design Patent**
Bhasin

(10) **Patent No.:** **US D913,219 S**
(45) **Date of Patent:** **** Mar. 16, 2021**

(54) **DEVICE CHARGER**

(71) Applicant: **10757616 CANADA CORPORATION**, Edmonton (CA)

(72) Inventor: **Sunny Bhasin**, Edmonton (CA)

(73) Assignee: **10757616 CANADA CORPORATION**, Toronto (CA)

(**) Term: **15 Years**

(21) Appl. No.: **29/684,210**

(22) Filed: **Mar. 19, 2019**

(51) **LOC (13) Cl.** **13-02**

(52) **U.S. Cl.**
USPC **D13/107**

(58) **Field of Classification Search**
USPC D13/103, 107, 108, 110, 133,
D13/137.1-137.4, 138.1-138.2,
D13/139.1-139.8, 146, 147, 151-156,
D13/173, 177, 199; D14/432, 433, 435.1,
D14/250; D23/231, 232; D15/7-9;
D8/350, 353-356
CPC H01R 11/00; H01R 9/00; H01R 13/00;
H01R 13/04; H01R 13/10; H01R
13/6666; H01R 13/6675; H01R 25/00;
H01R 25/006; H01H 2207/00; H01H
2207/022; Y02E 60/12; Y02E 60/122;
Y02E 60/124; Y02E 60/50; H01M 2/02;
H01M 2/022; H01M 2/0202; H01M
2/0207; H01M 2/0212; H01M 2/1061;
H01M 2/1022; H01M 2/1055; H01M
2/1066; H01M 2/105; H01M 2/204; H02J
7/00; H02J 7/0003; H02J 7/0011; H02J
7/0013; H02J 7/0054; H02J 7/0055; H02J
7/0057; Y02T 10/7005; Y02T 10/705;
Y02T 10/7088; B60L 11/1809; B60L
11/1861

See application file for complete search history.

(56) **References Cited**

U.S. PATENT DOCUMENTS

D404,715	S	*	1/1999	Almond	D13/152
D478,553	S	*	8/2003	Heggem	D13/152
D545,276	S	*	6/2007	Dinh	D13/152
D549,658	S	*	8/2007	Asai	D13/147
D563,896	S	*	3/2008	Greenslate	D10/104.1
D592,600	S	*	5/2009	Wu	D13/147
D635,099	S	*	3/2011	Kramer	D13/152
D722,296	S	*	2/2015	Taylor	D13/152
9,035,180	B2		5/2015	Smith et al.		
D754,605	S	*	4/2016	McMillan	D13/133
9,362,728	B2		6/2016	Smith et al.		
D778,241	S	*	2/2017	Holbrook	D13/152
D781,241	S		3/2017	Knight		
9,882,318	B2		1/2018	Smith et al.		
9,882,361	B2		1/2018	Smith et al.		

(Continued)

Primary Examiner — Christy Nemeth

(74) *Attorney, Agent, or Firm* — Perry + Currier, Inc.

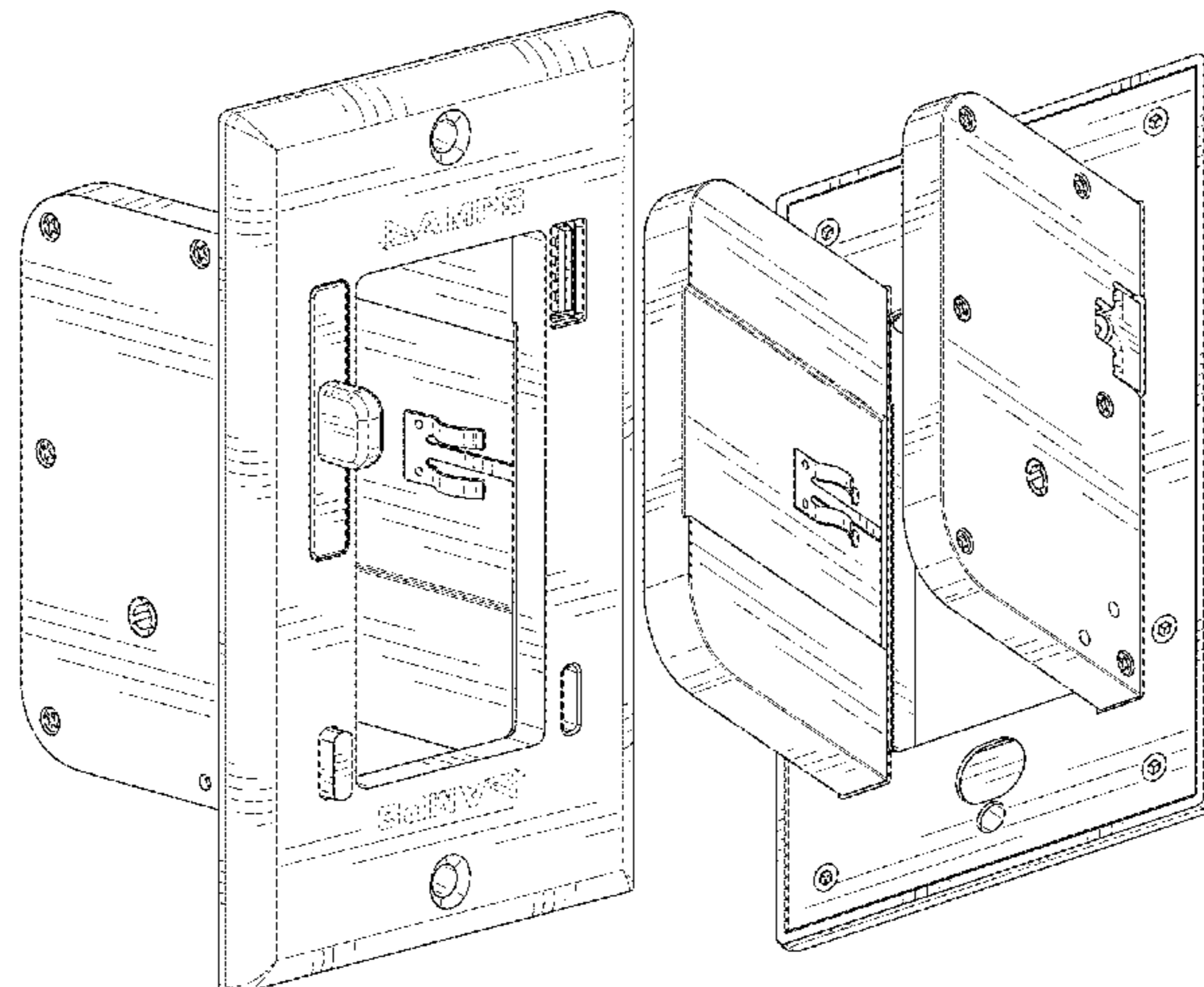
(57) **CLAIM**

The ornamental design for the device charger, as shown and described.

DESCRIPTION

FIG. 1 is a front perspective view of a device charger.
FIG. 2 is a left rear perspective view of the device charger of FIG. 1.
FIG. 3 is a right rear perspective view of the device charger of FIG. 1.
FIG. 4 is a left side view of the device charger of FIG. 1.
FIG. 5 is a front view of the device charger of FIG. 1.
FIG. 6 is a right side view of the device charger of FIG. 1.
FIG. 7 is a rear view of the device charger of FIG. 1.
FIG. 8 is a top view of the device charger of FIG. 1; and,
FIG. 9 is a bottom view of the device charger of FIG. 1.

(Continued)



The broken lines are included for illustrative purposes only and forms no part of the claimed design.

1 Claim, 5 Drawing Sheets

(56)

References Cited

U.S. PATENT DOCUMENTS

D810,696	S	*	2/2018	Hagarty	D13/156
D810,697	S		2/2018	Smith		
D845,239	S	*	4/2019	McMillan	D13/133
D847,763	S	*	5/2019	Hirayama	D13/156
D860,024	S	*	9/2019	Illouz	D10/106.2
D868,002	S	*	11/2019	Joniak	D13/146
D868,702	S	*	12/2019	Hagarty	D13/156
D868,705	S	*	12/2019	Hagarty	D13/156
D868,706	S	*	12/2019	Hagarty	D13/156
2015/0229079	A1		8/2015	Smith et al.		
2018/0048099	A1		2/2018	Diotte		
2018/0375313	A1*		12/2018	Misener	H01R 13/665
2019/0122832	A1		4/2019	Smith		
2019/0148892	A1		5/2019	Smith et al.		

* cited by examiner

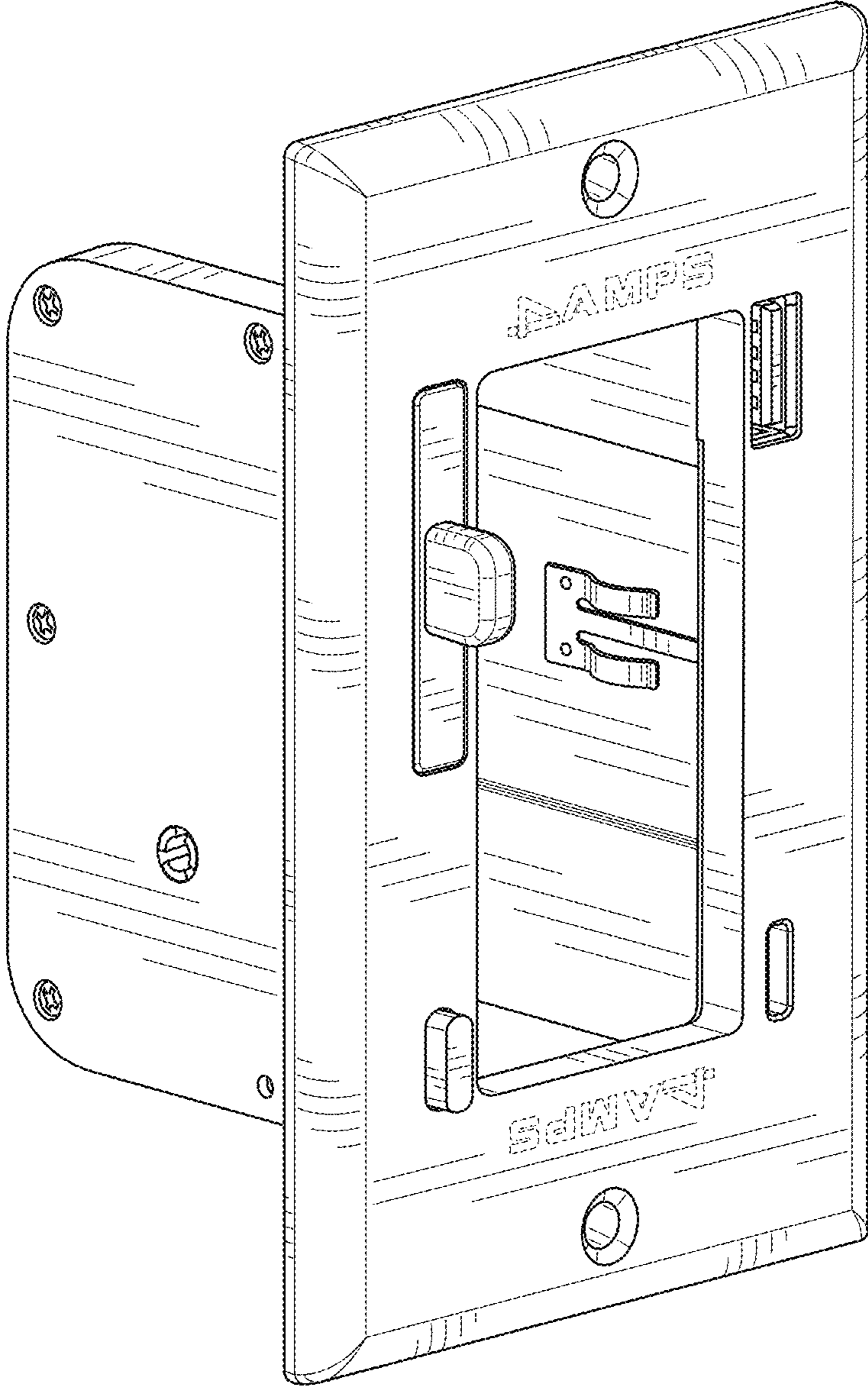


FIG. 1

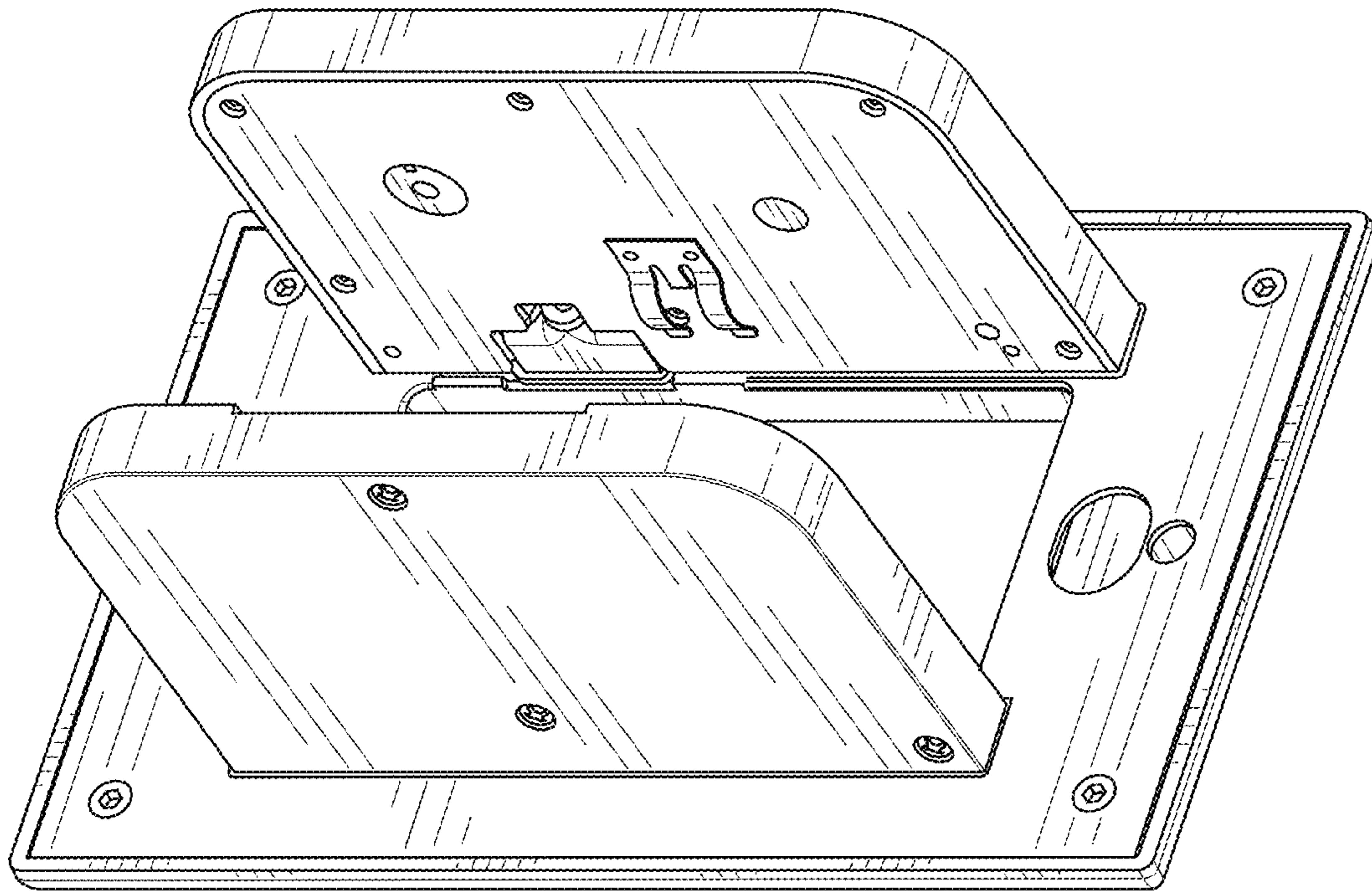


FIG. 3

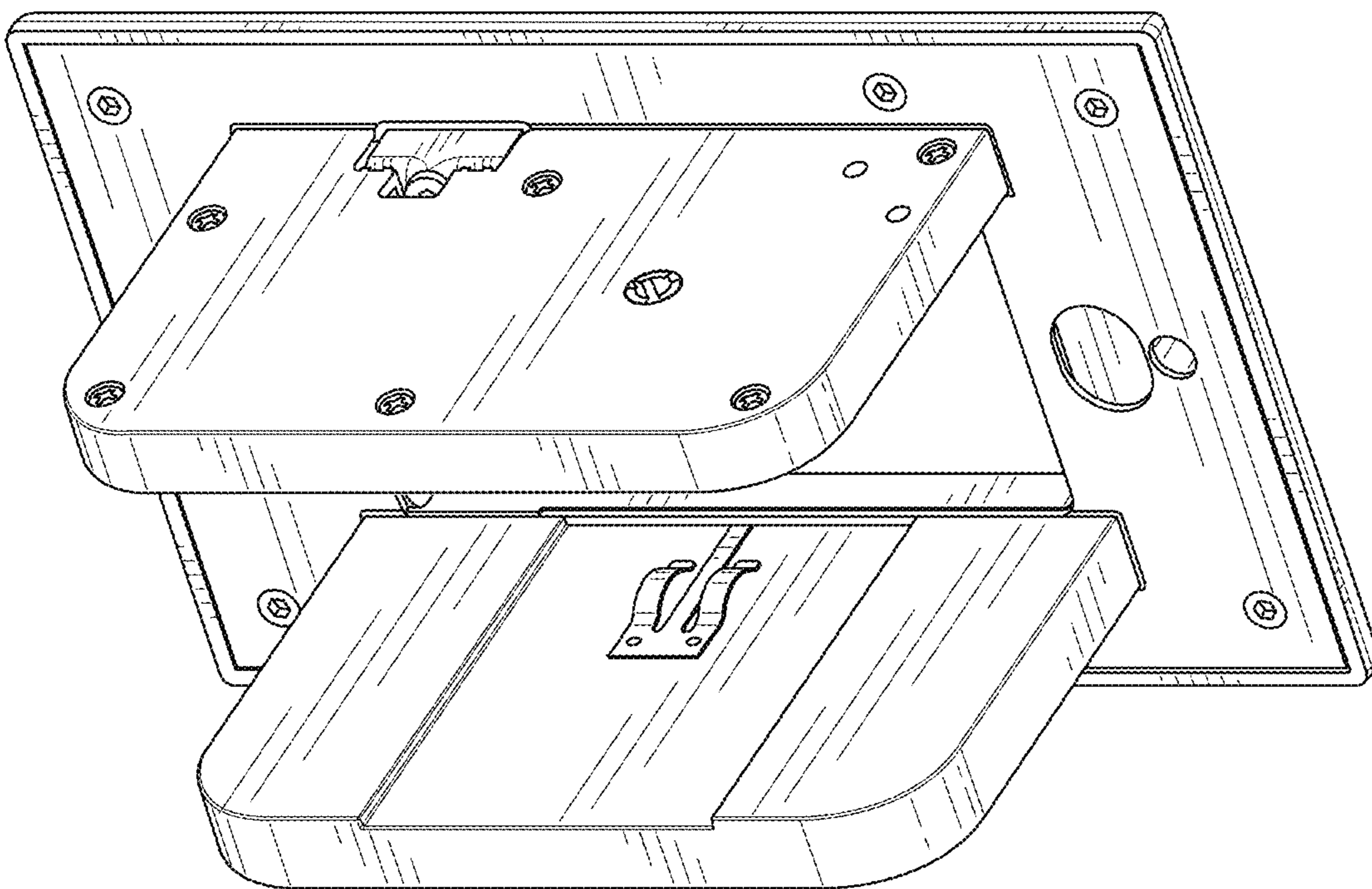


FIG. 2

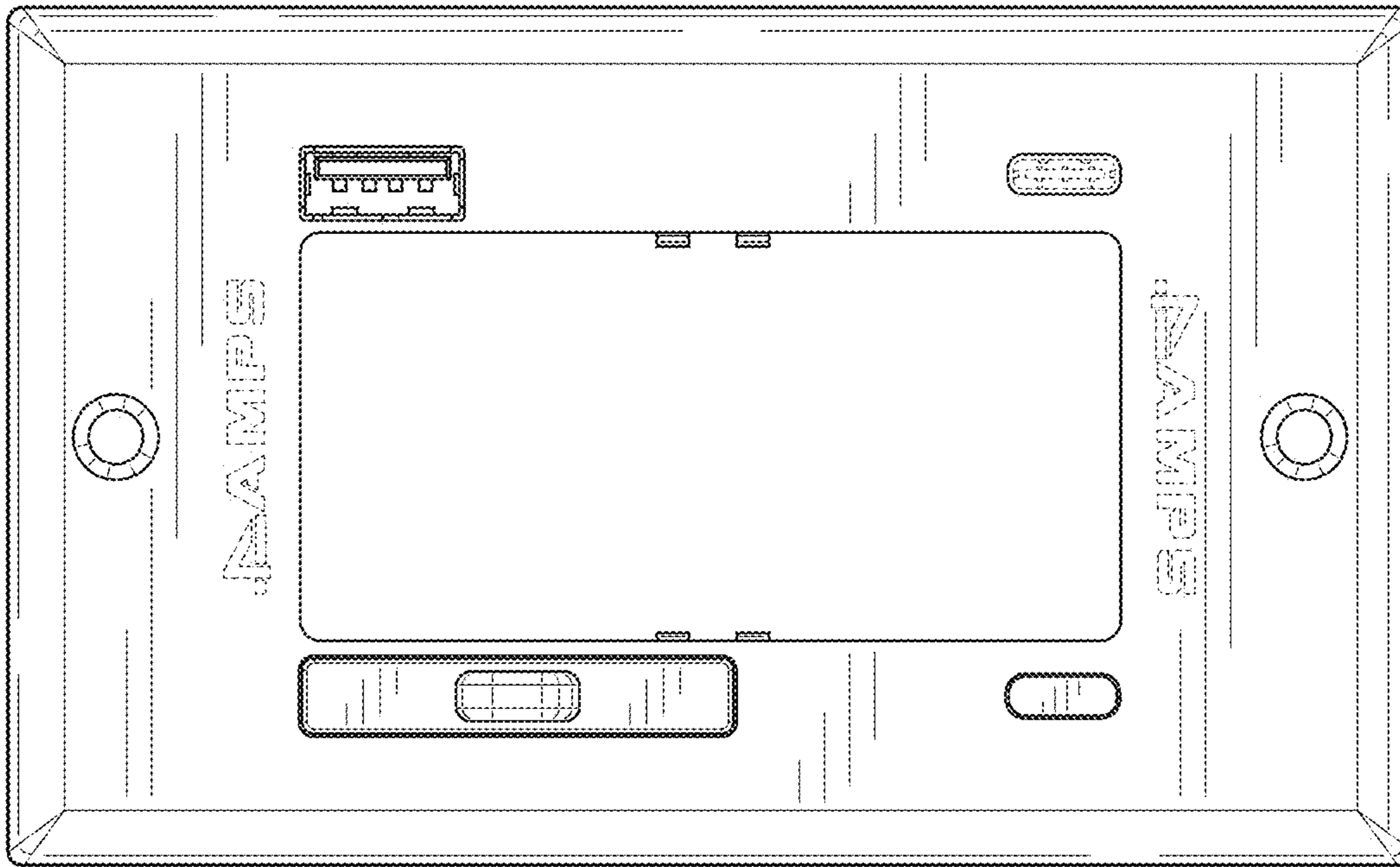


FIG. 5

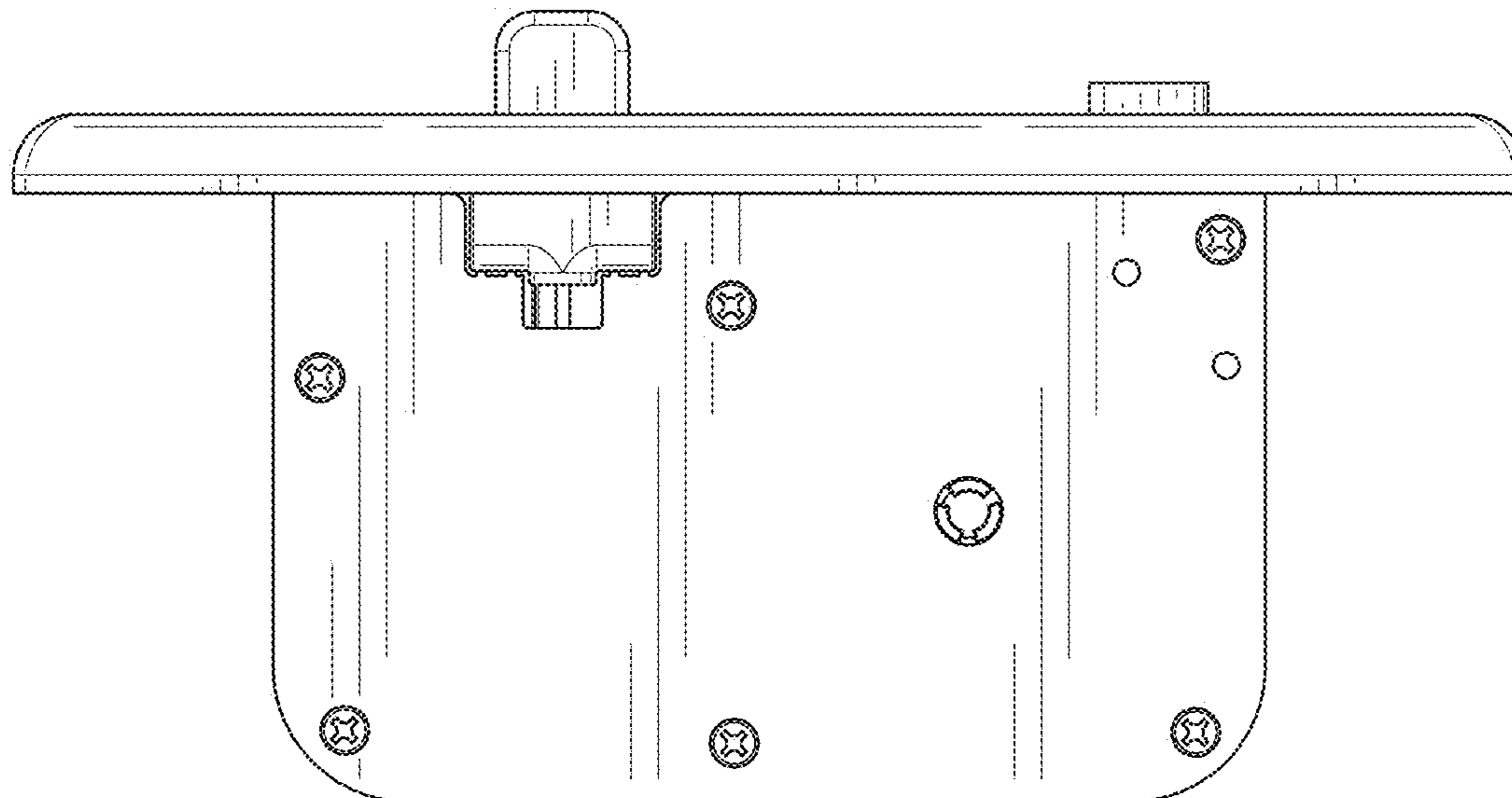


FIG. 4

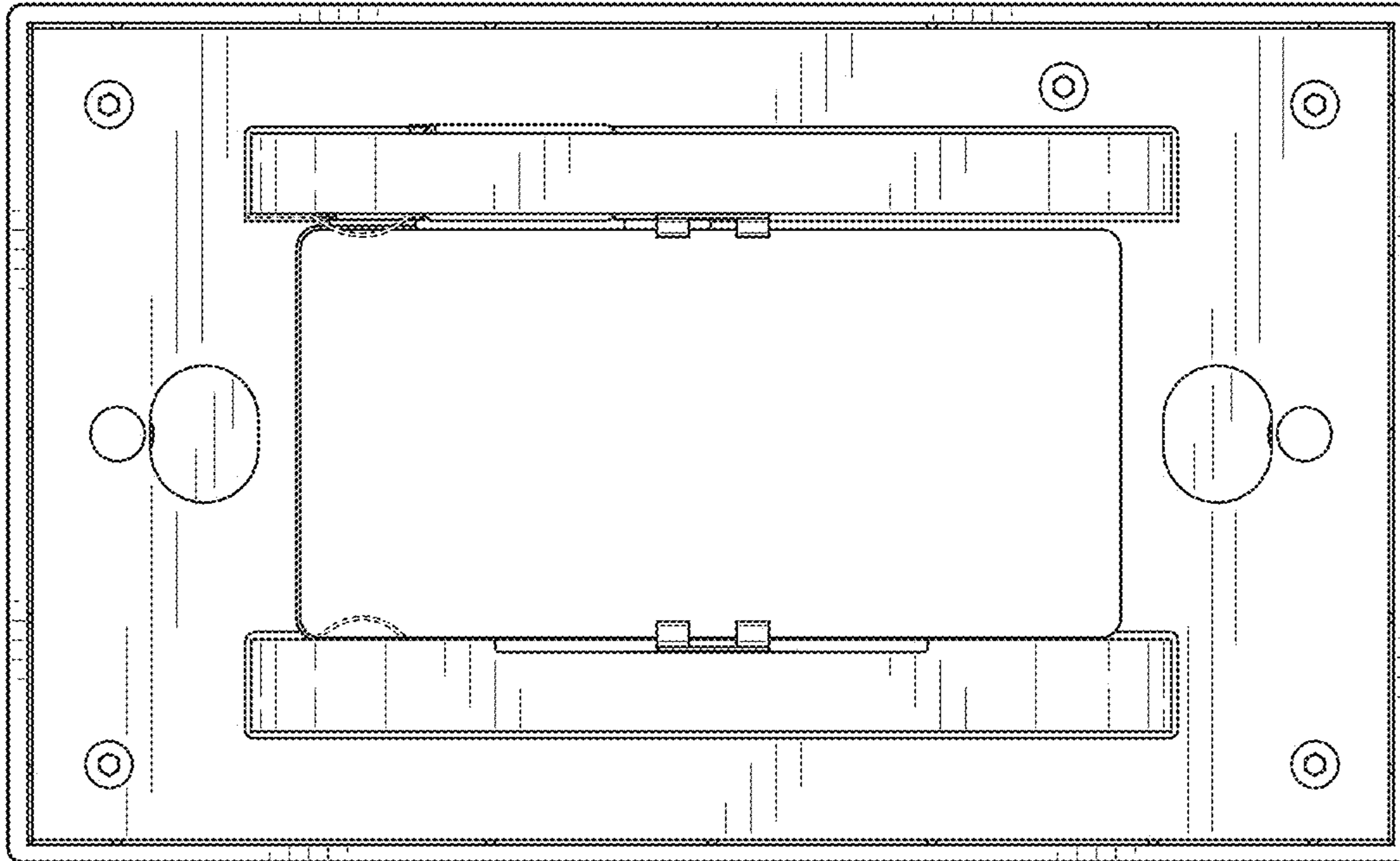


FIG. 7

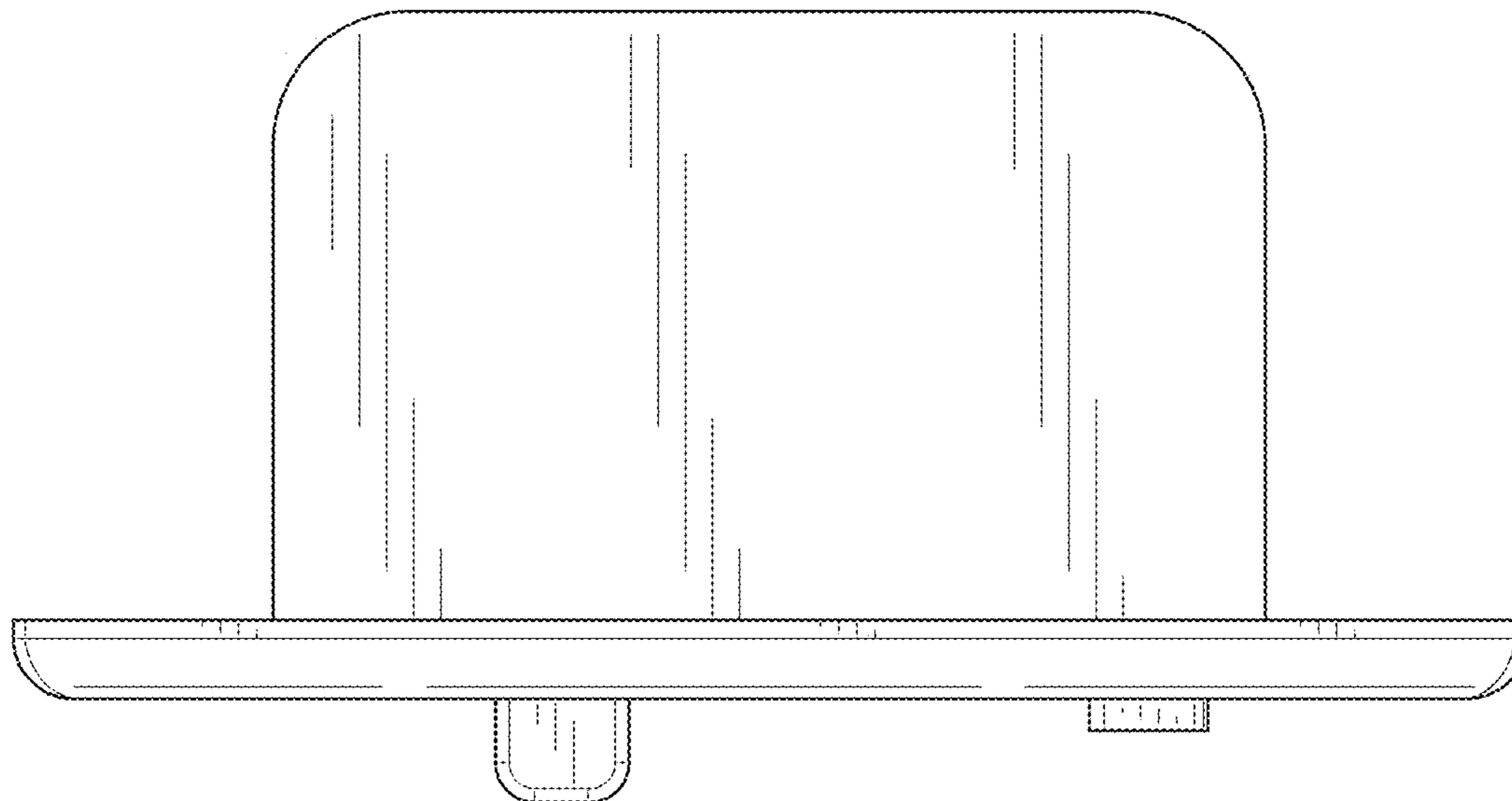


FIG. 6

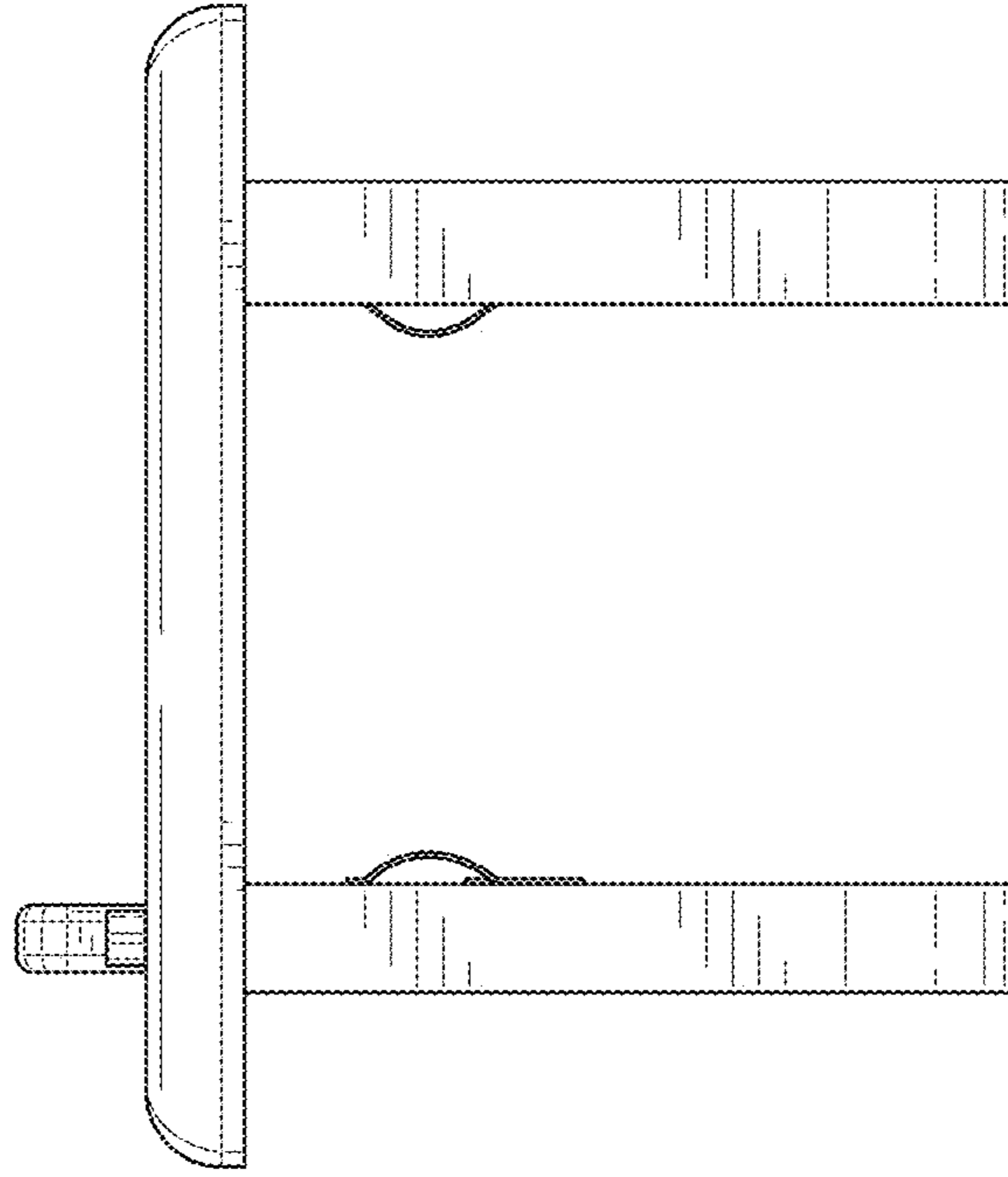


FIG. 9

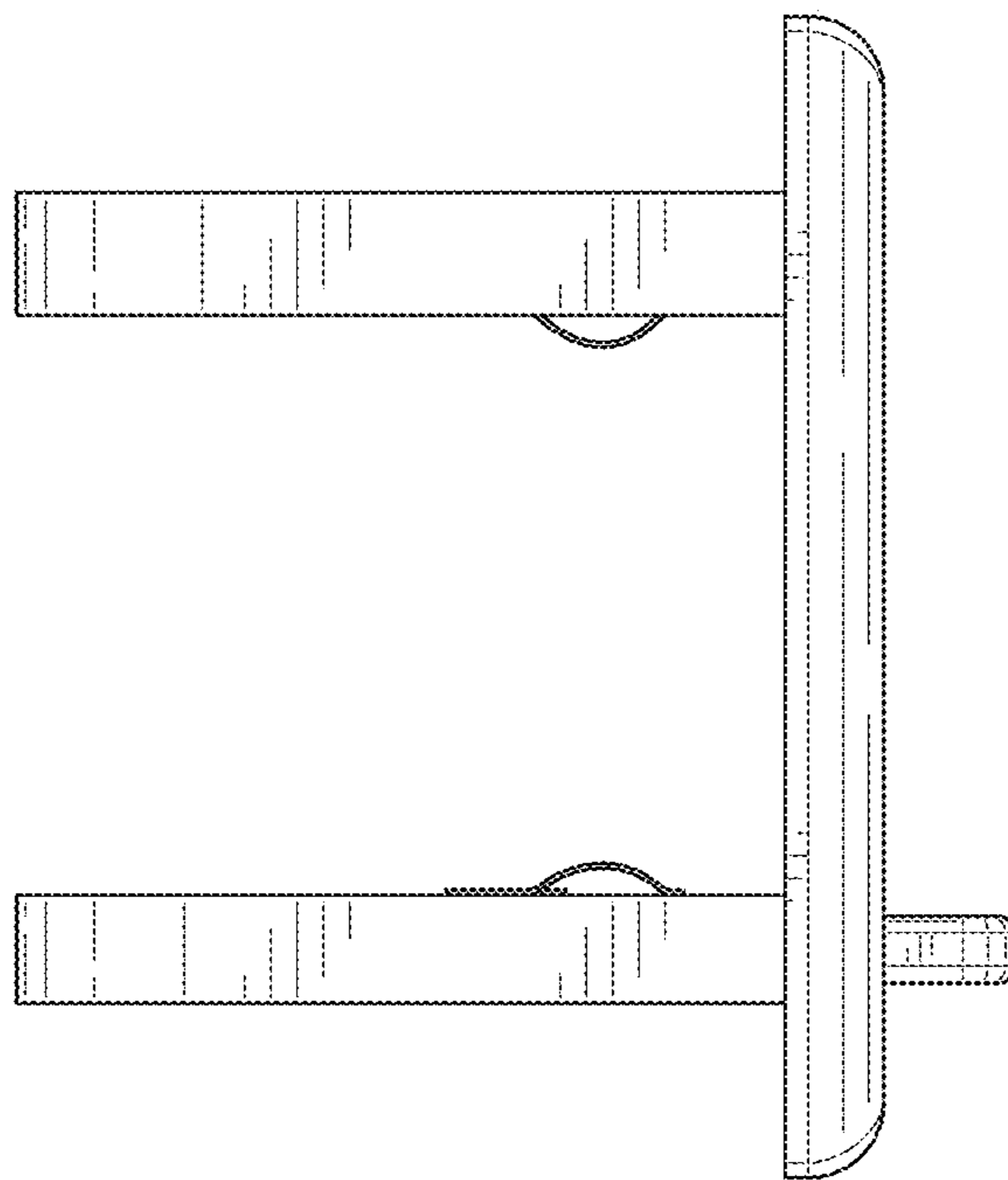


FIG. 8