



US00D913218S

(12) **United States Design Patent** (10) **Patent No.:** **US D913,218 S**  
**Vlasov et al.** (45) **Date of Patent:** **\*\* Mar. 16, 2021**

(54) **UNIVERSAL POWER SUPPLY UNIT**

(56) **References Cited**

(71) Applicant: **WATTS BATTERY LTD**, Moscow (RU)

U.S. PATENT DOCUMENTS

(72) Inventors: **Iurii Vlasov**, Moscow (RU); **Mikhail Dokuchaev**, Moscow (RU); **Vasilii Vinogradov**, Moscow (RU)

5,369,565	A *	11/1994	Chen	.....	H02J 7/0042 224/902
D449,271	S *	10/2001	Tong	.....	D13/110
D555,591	S *	11/2007	Grimes	.....	D13/110
D601,088	S *	9/2009	Scheucher	.....	D13/103
D615,035	S *	5/2010	Farris-Gilbert	.....	D13/110
D615,492	S *	5/2010	Mibayashi	.....	D13/110
D632,649	S *	2/2011	Scheucher	.....	D13/110
D686,988	S *	7/2013	Fawkes	.....	D13/110
8,865,339	B2 *	10/2014	Enari	.....	H01M 2/105 429/159
D811,327	S *	2/2018	Mueller	.....	D13/110
D867,990	S *	11/2019	Okajima	.....	D13/110

(73) Assignee: **WATTS BATTERY CORP.**, Palo Alto, CA (US)

(\*\*) Term: **15 Years**

(21) Appl. No.: **35/506,406**

\* cited by examiner

(22) Filed: **Sep. 13, 2018**

*Primary Examiner* — Rhea Shields

(74) *Attorney, Agent, or Firm* — Nixon & Vanderhye PC

(80) **Hague Agreement Data**

(57) **CLAIM**

Int. Filing Date: **Sep. 13, 2018**

The ornamental design for a universal power supply unit, as shown and described.

Int. Reg. No.: **DM/103268**

Int. Reg. Date: **Sep. 13, 2018**

Int. Reg. Pub. Date: **Mar. 15, 2019**

**DESCRIPTION**

(51) **LOC (13) Cl.** ..... **13-02**

FIG. 1.1 is a perspective view of a universal power supply unit according to our new design;  
FIG. 1.2 is a rear view thereof;  
FIG. 1.3 is a bottom plan view thereof;  
FIG. 1.4 is a top plan view thereof; and  
FIG. 1.5 is a left side view thereof.  
The broken lines show environmental structure that forms no part of the claimed design.

(52) **U.S. Cl.**

USPC ..... **D13/103**

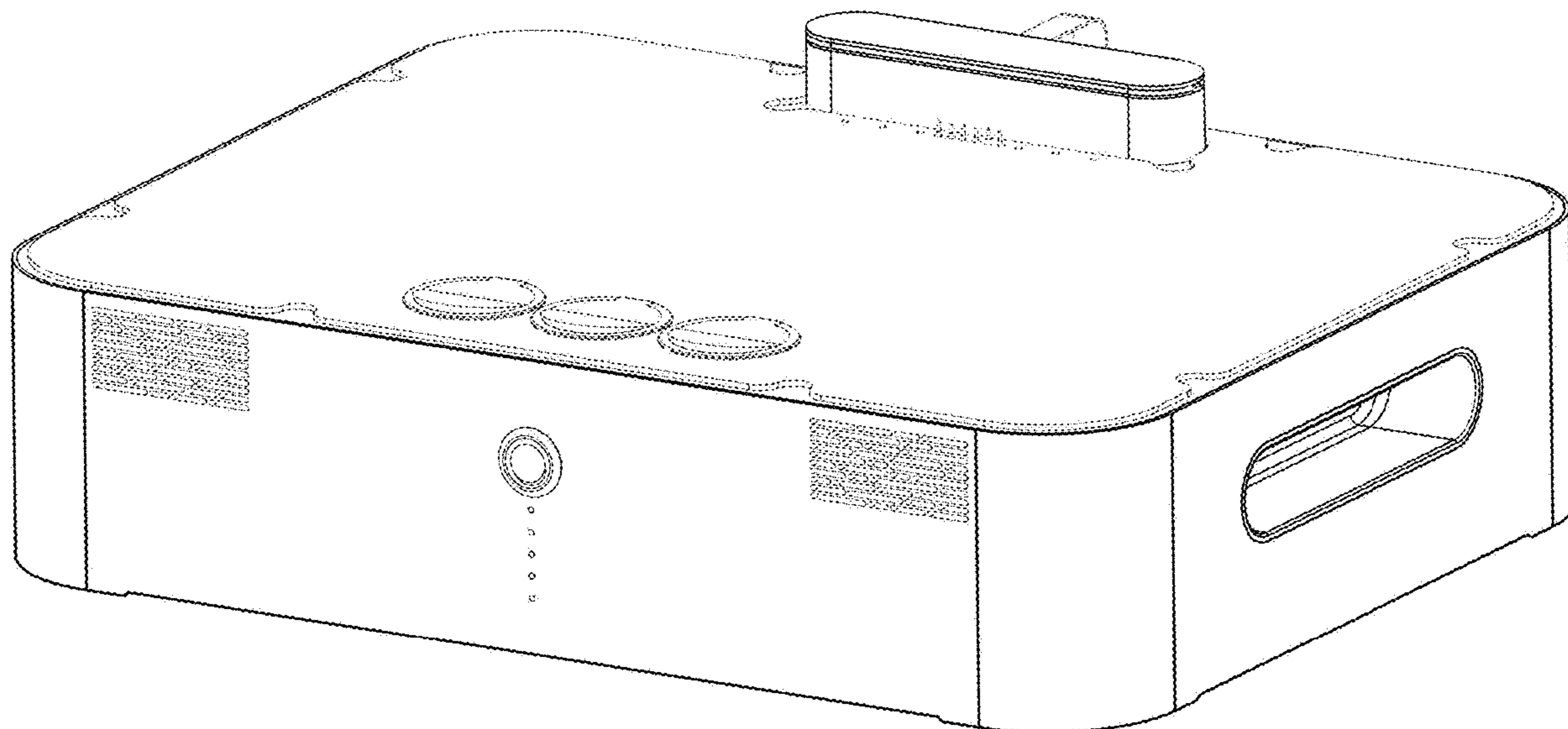
(58) **Field of Classification Search**

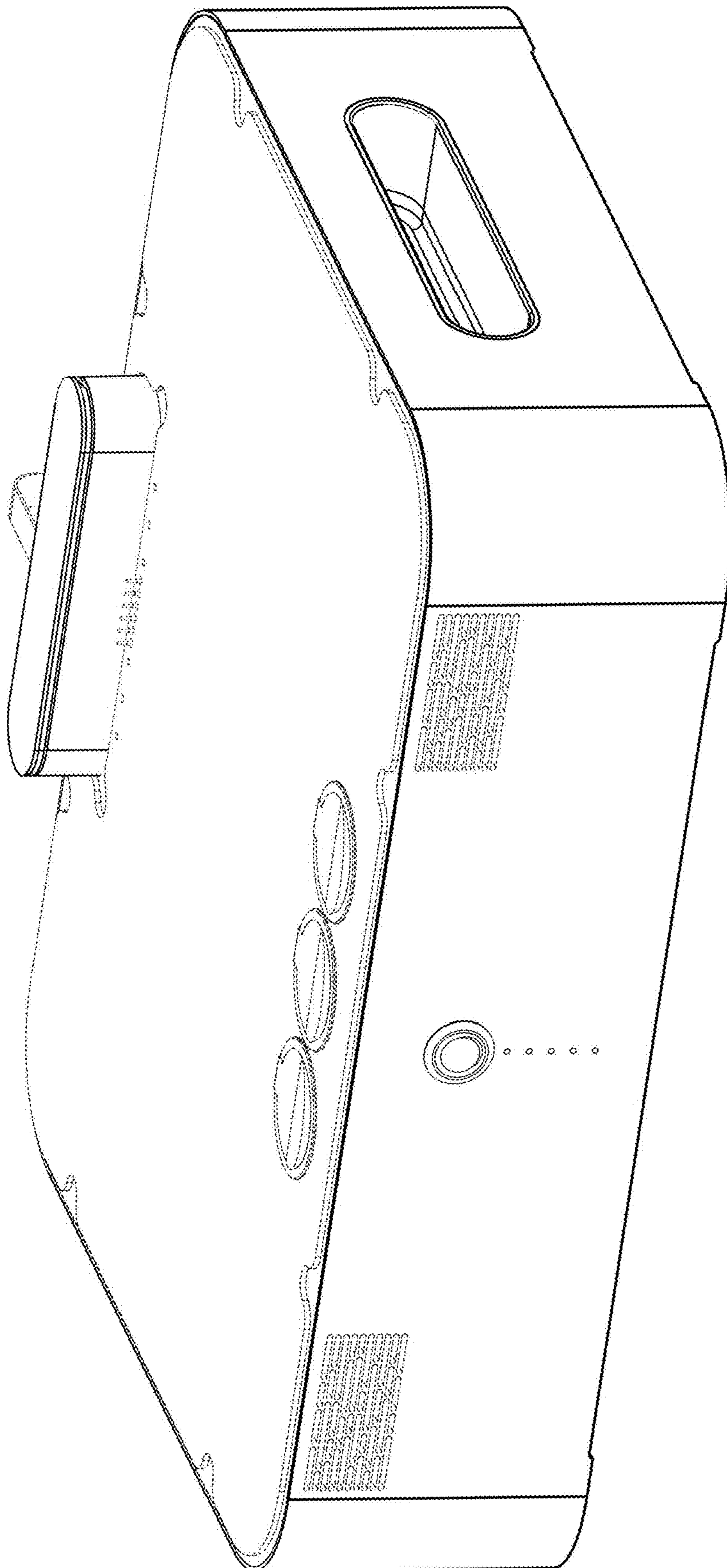
USPC ..... D13/103, 110

CPC ..... H01M 2/105; H02J 7/0042

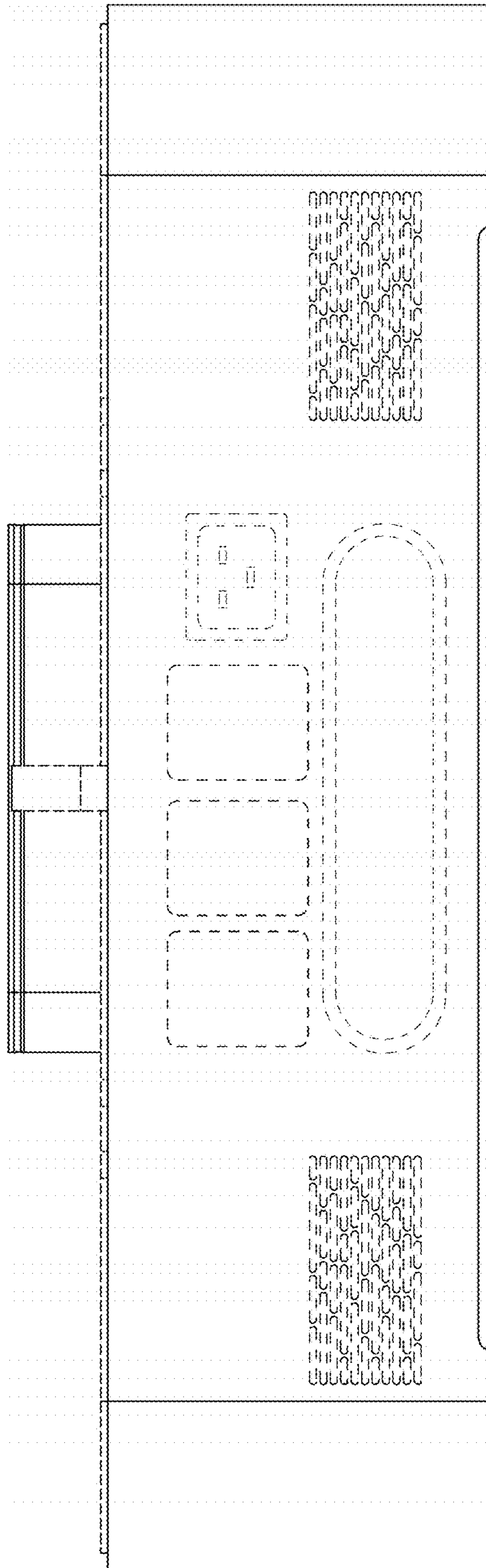
See application file for complete search history.

**1 Claim, 5 Drawing Sheets**

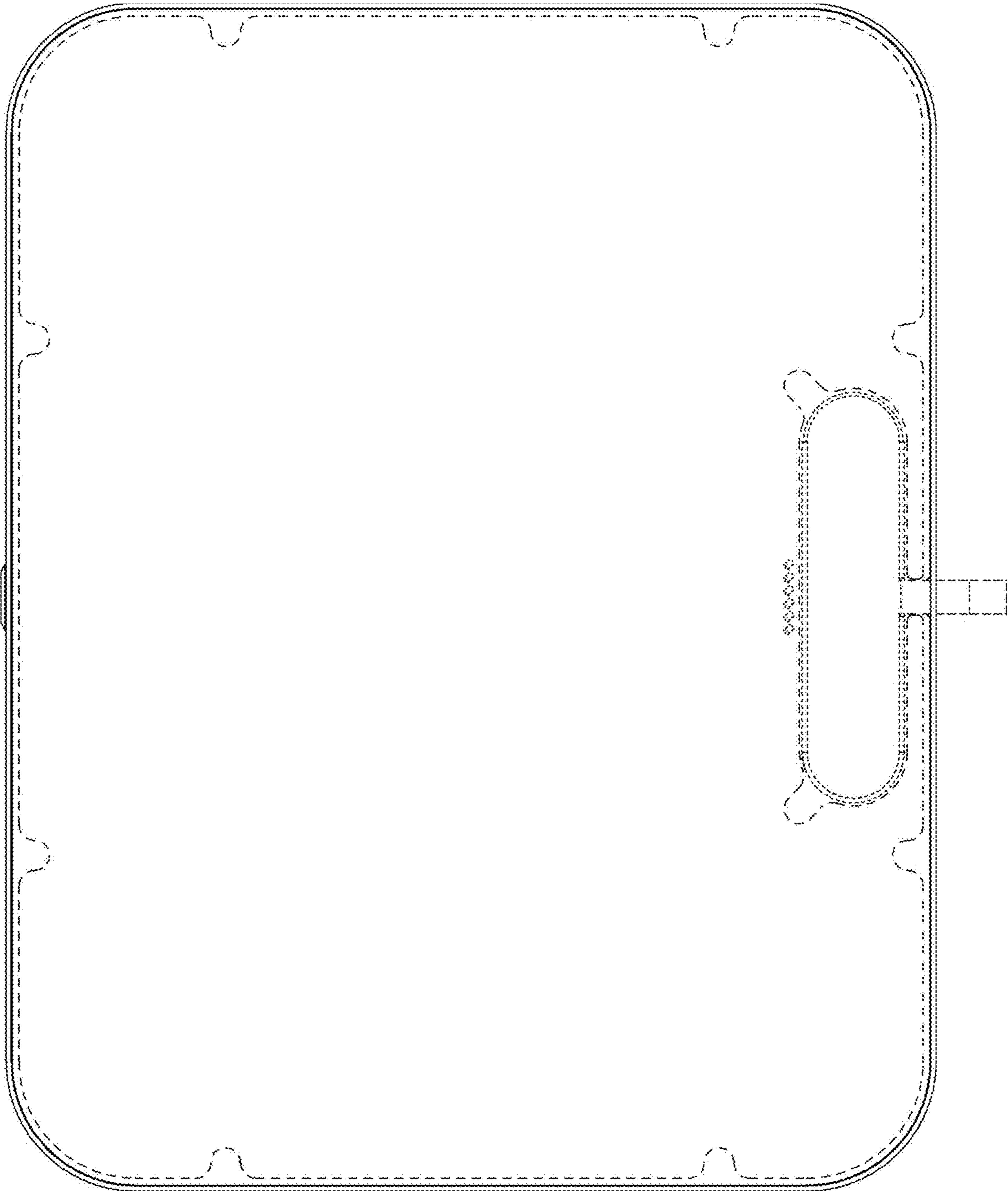




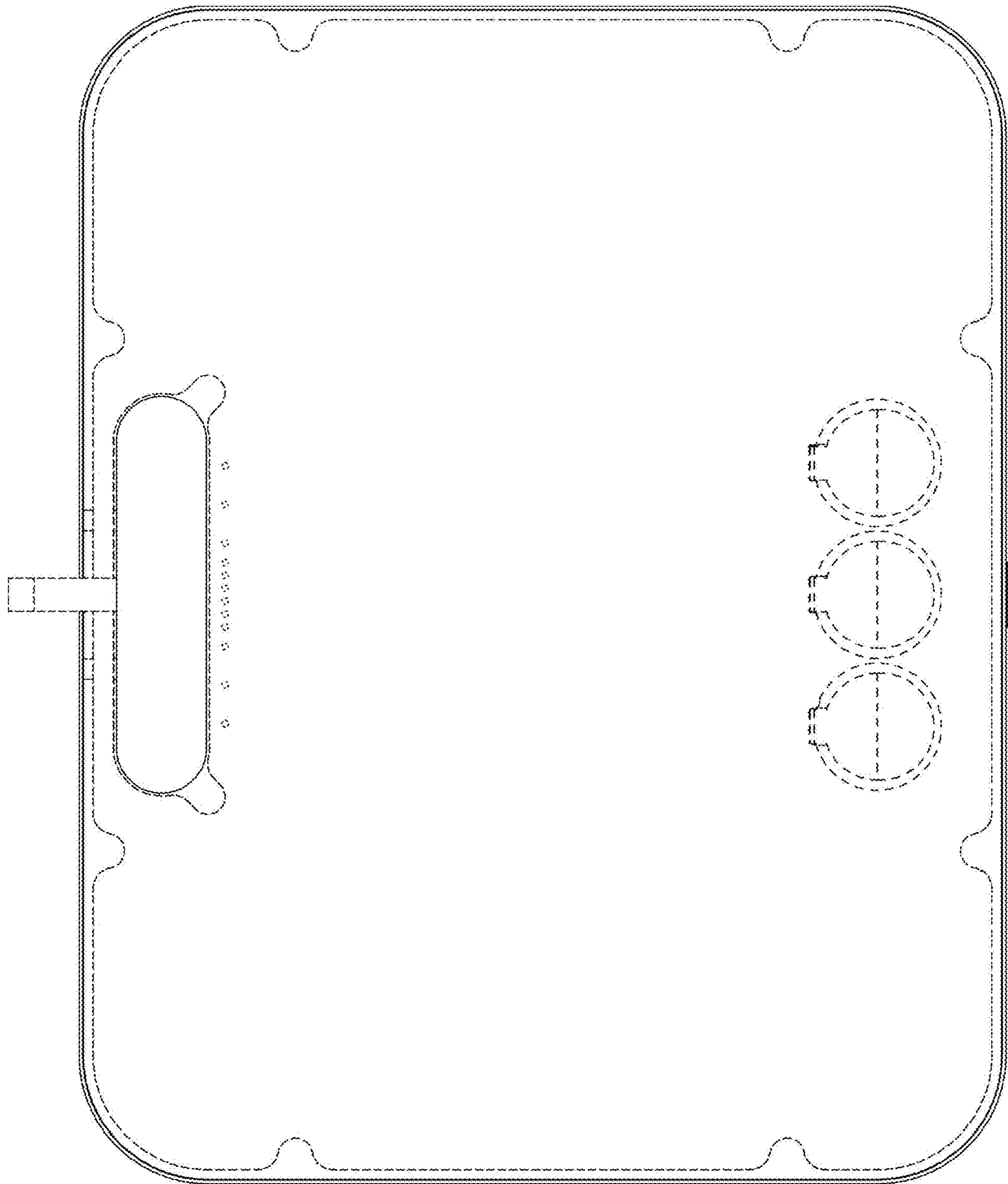
1.1



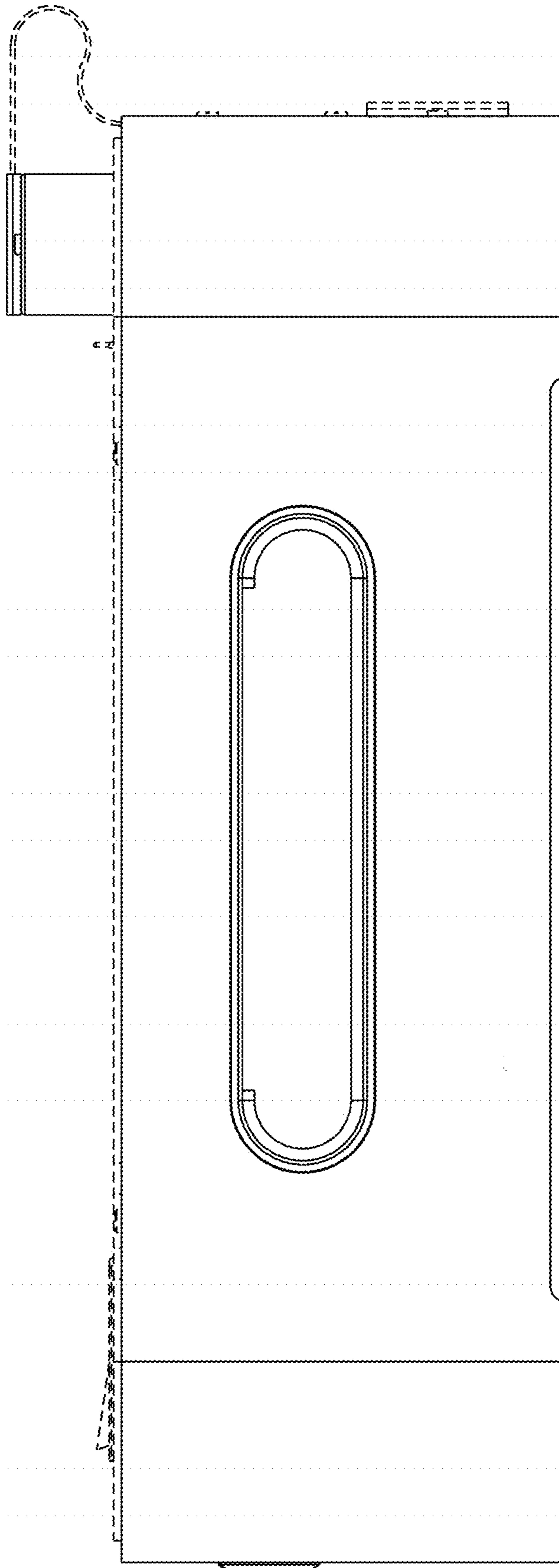
1.2



1.3



1.4



1.5