



US00D913217S

(12) **United States Design Patent**  
**Park et al.**

(10) **Patent No.:** **US D913,217 S**

(45) **Date of Patent:** **\*\* Mar. 16, 2021**

(54) **FRONT COVER FOR BATTERY MODULE**

(71) Applicant: **LG Chem, Ltd.**, Seoul (KR)

(72) Inventors: **Do-Hyun Park**, Daejeon (KR);  
**Jung-Min Kwak**, Daejeon (KR);  
**Young-Ho Lee**, Daejeon (KR);  
**Jong-Ha Jeong**, Daejeon (KR)

(73) Assignee: **LG Chem, Ltd.** (KR)

(\*\*) Term: **15 Years**

(21) Appl. No.: **29/696,111**

(22) Filed: **Jun. 25, 2019**

(30) **Foreign Application Priority Data**

Dec. 26, 2018 (KR) ..... 30-2018-0061673

(51) **LOC (13) Cl.** ..... **13-02**

(52) **U.S. Cl.**  
USPC ..... **D13/103**

(58) **Field of Classification Search**  
USPC ..... D13/110, 103, 104, 133, 108, 107, 144,  
D13/146, 149, 119, 184, 123, 153, 155,  
D13/156, 199  
CPC ..... H01M 2/206; H01M 2/34; H01R 13/447;  
H01R 13/506  
See application file for complete search history.

(56) **References Cited**

U.S. PATENT DOCUMENTS

D264,961 S \* 6/1982 Oxenreider ..... 429/163  
D292,576 S \* 11/1987 Kump ..... D13/106  
D310,821 S \* 9/1990 Hulsebus ..... D13/104

D445,761 S \* 7/2001 Weng ..... D13/110  
D458,900 S \* 6/2002 Carter ..... D13/104  
D623,127 S \* 9/2010 Seyama ..... D13/104  
D731,426 S \* 6/2015 Hong ..... D13/119  
D806,646 S \* 1/2018 DeKeuster ..... D13/103  
D810,683 S \* 2/2018 DeKeuster ..... D13/119  
10,096,867 B2 \* 10/2018 Lee ..... H01M 2/10  
D836,548 S \* 12/2018 Jauhonen ..... D13/110  
D837,154 S \* 1/2019 Stravets ..... D13/110  
D879,032 S \* 3/2020 Yang ..... D13/103  
D879,033 S \* 3/2020 Yoon ..... D13/103  
2014/0087221 A1 \* 3/2014 Kim ..... H01M 2/206  
429/90  
2014/0311768 A1 \* 10/2014 Takishita ..... H01M 2/1072  
174/66

\* cited by examiner

*Primary Examiner* — Jennifer O King

(74) *Attorney, Agent, or Firm* — Lerner, David,  
Littenberg, Krumholz & Mentlik, LLP

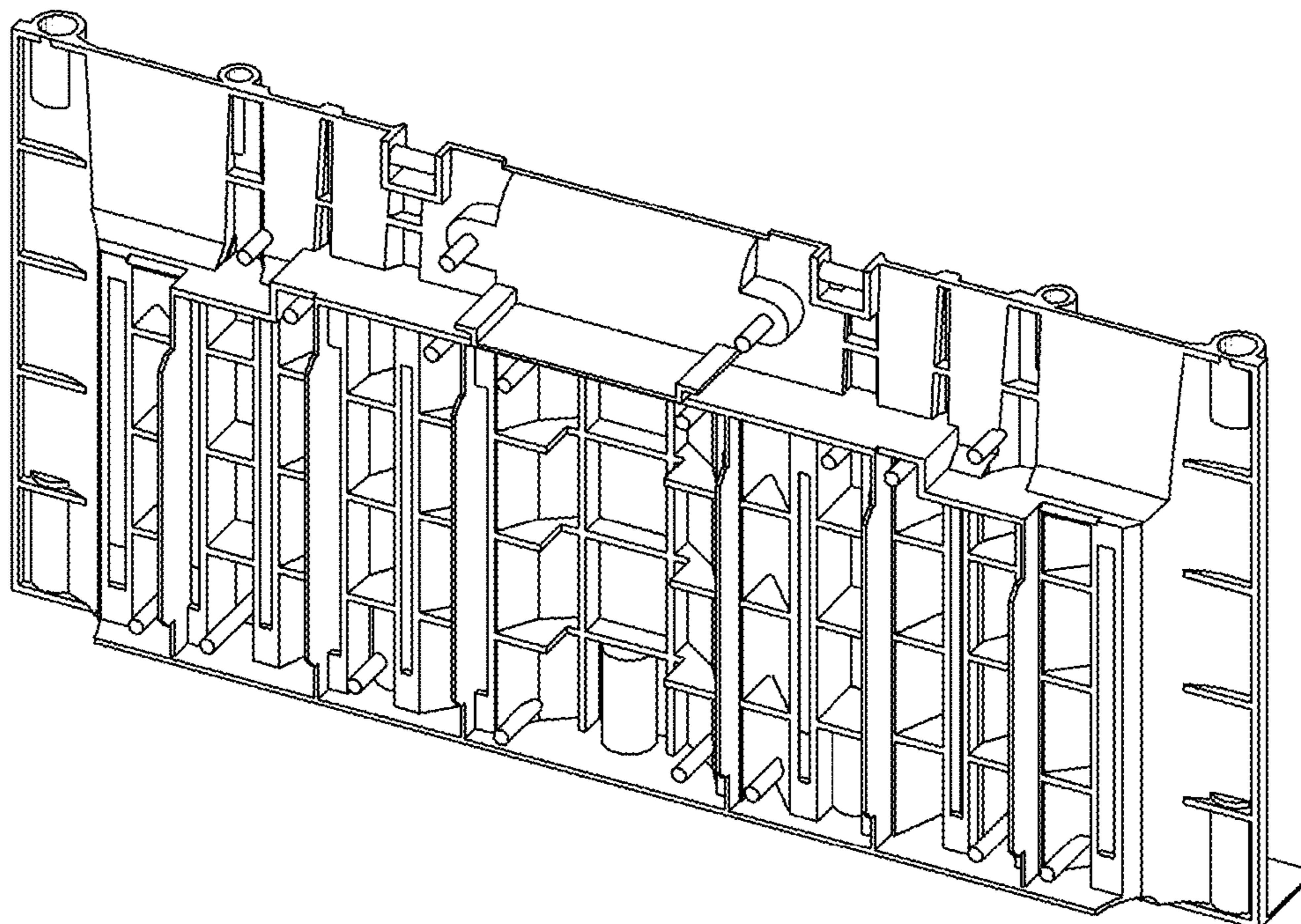
(57) **CLAIM**

The ornamental design for a front cover for battery module,  
as shown and described.

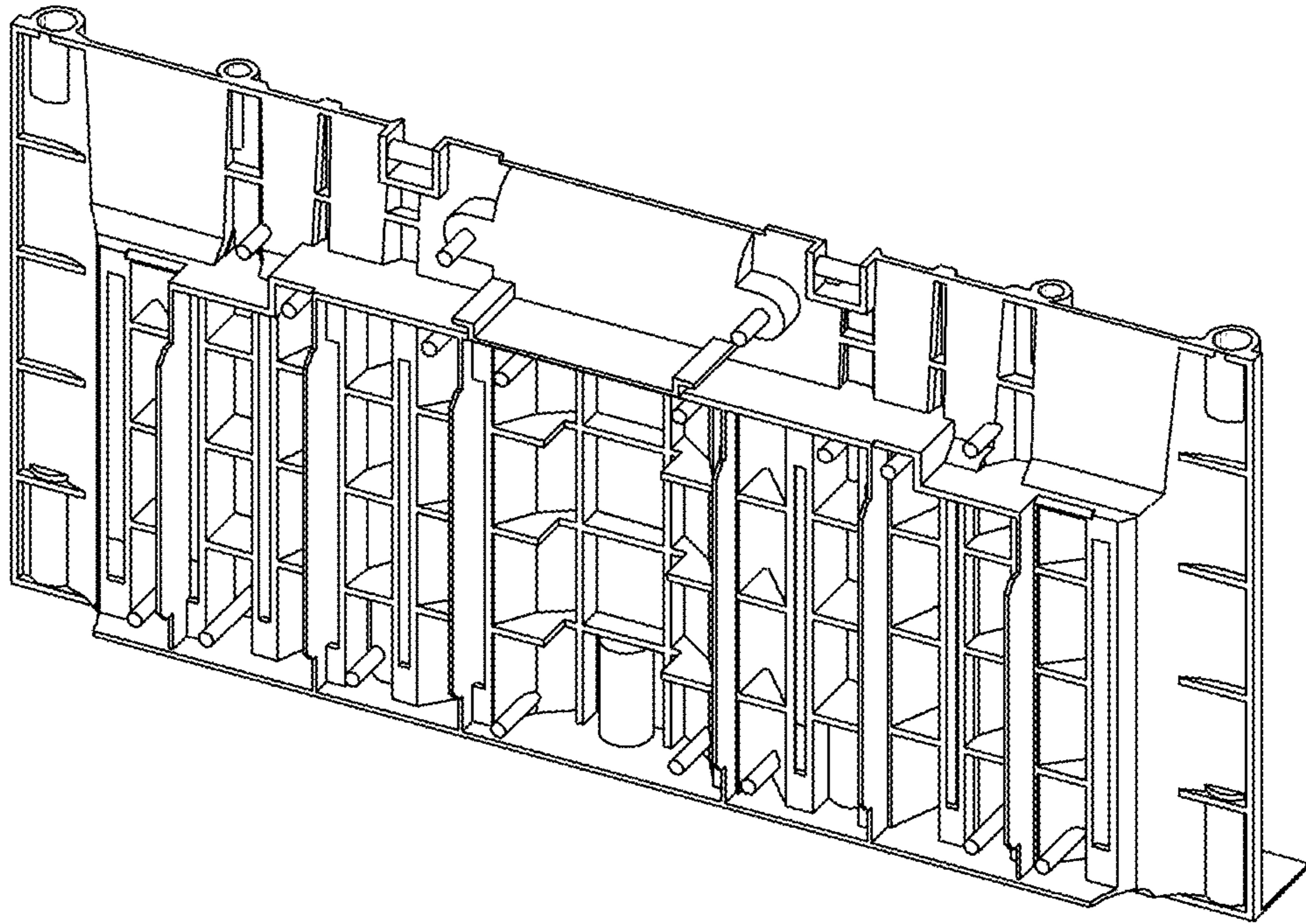
**DESCRIPTION**

FIG. 1 is a front perspective view of a front cover for battery module according to our design;  
FIG. 2 is a front view thereof;  
FIG. 3 is a rear view thereof;  
FIG. 4 is a left side view thereof;  
FIG. 5 is a right side view thereof;  
FIG. 6 is a top view thereof;  
FIG. 7 is a bottom view thereof; and,  
FIG. 8 is a rear perspective view thereof.

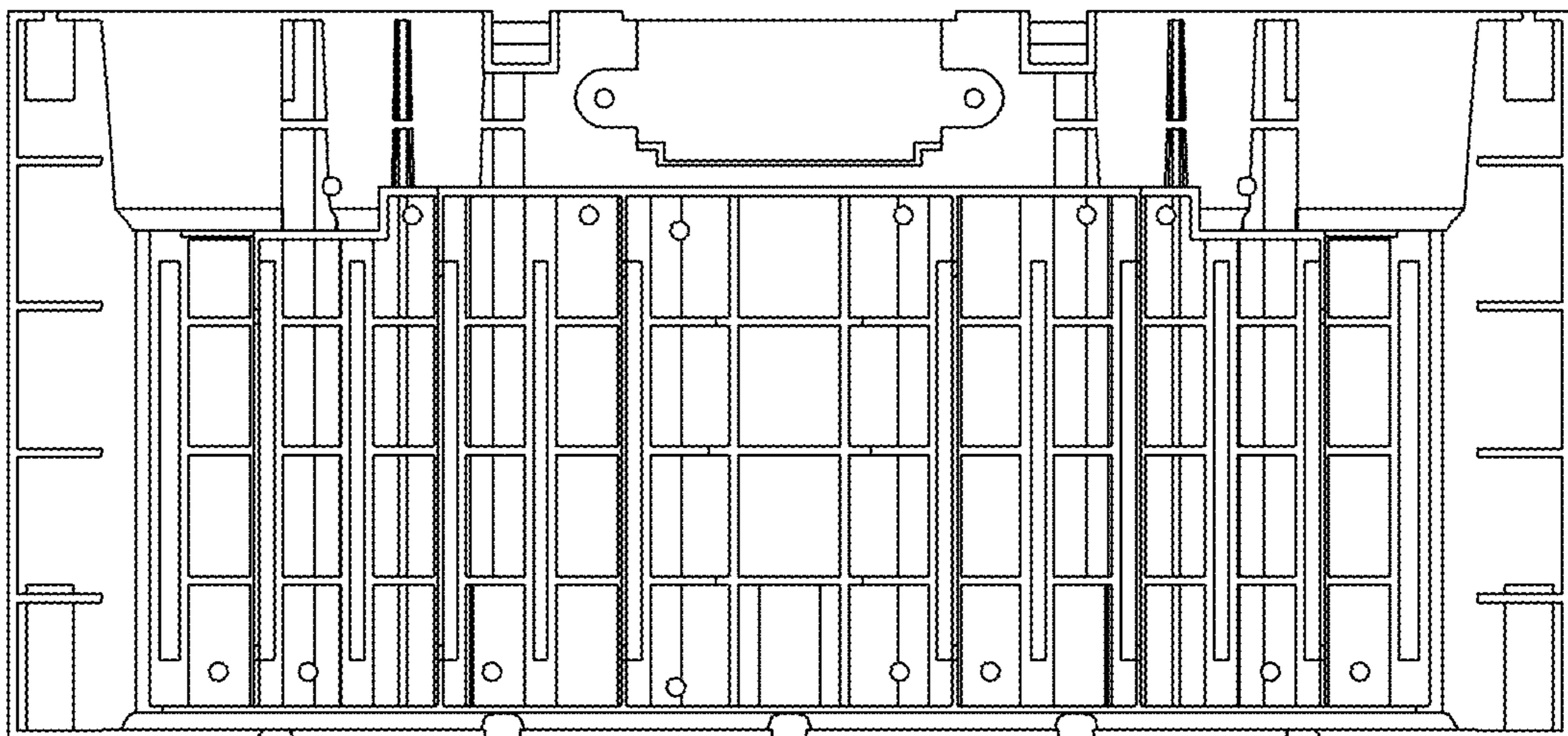
**1 Claim, 4 Drawing Sheets**



【FIG. 1】

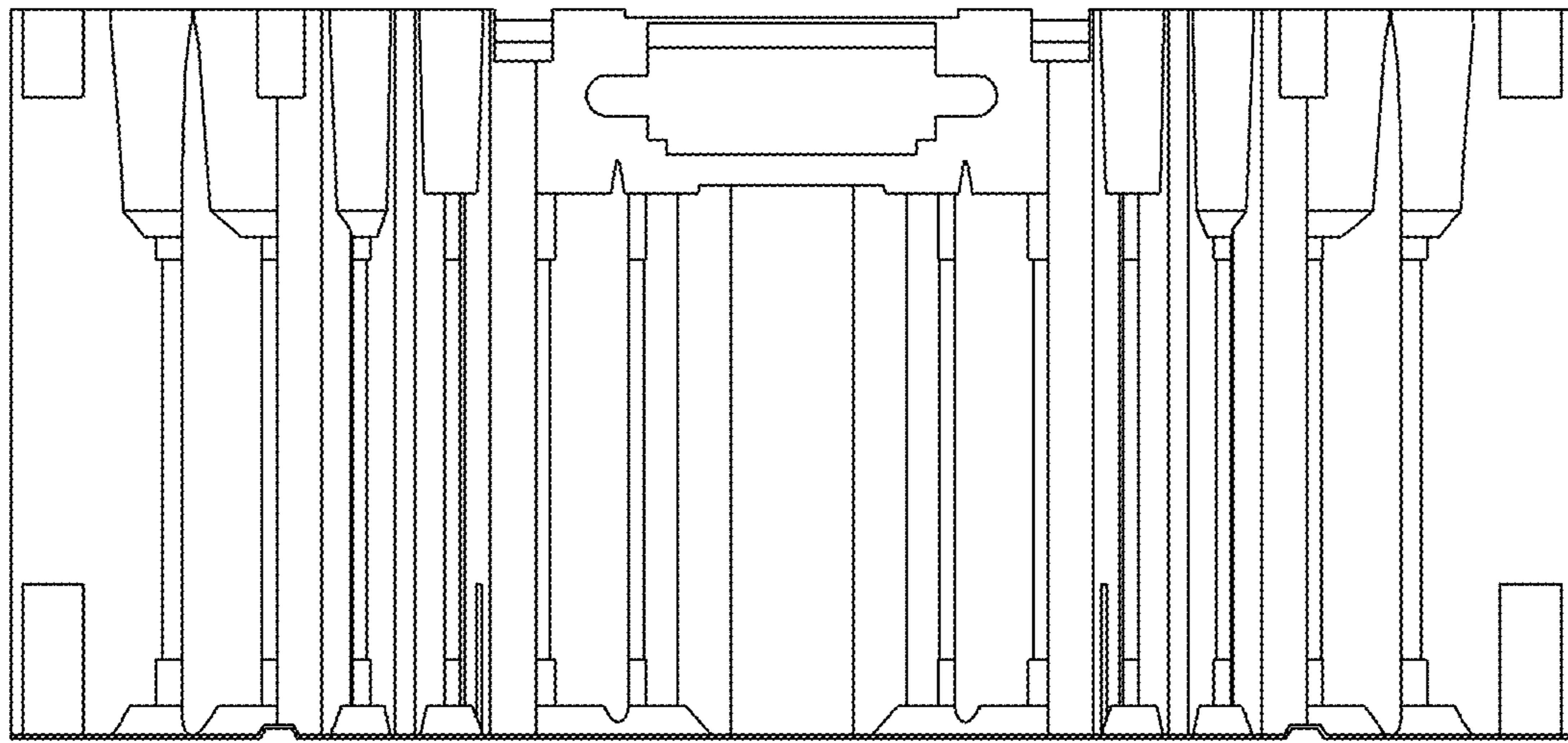


【FIG. 2】

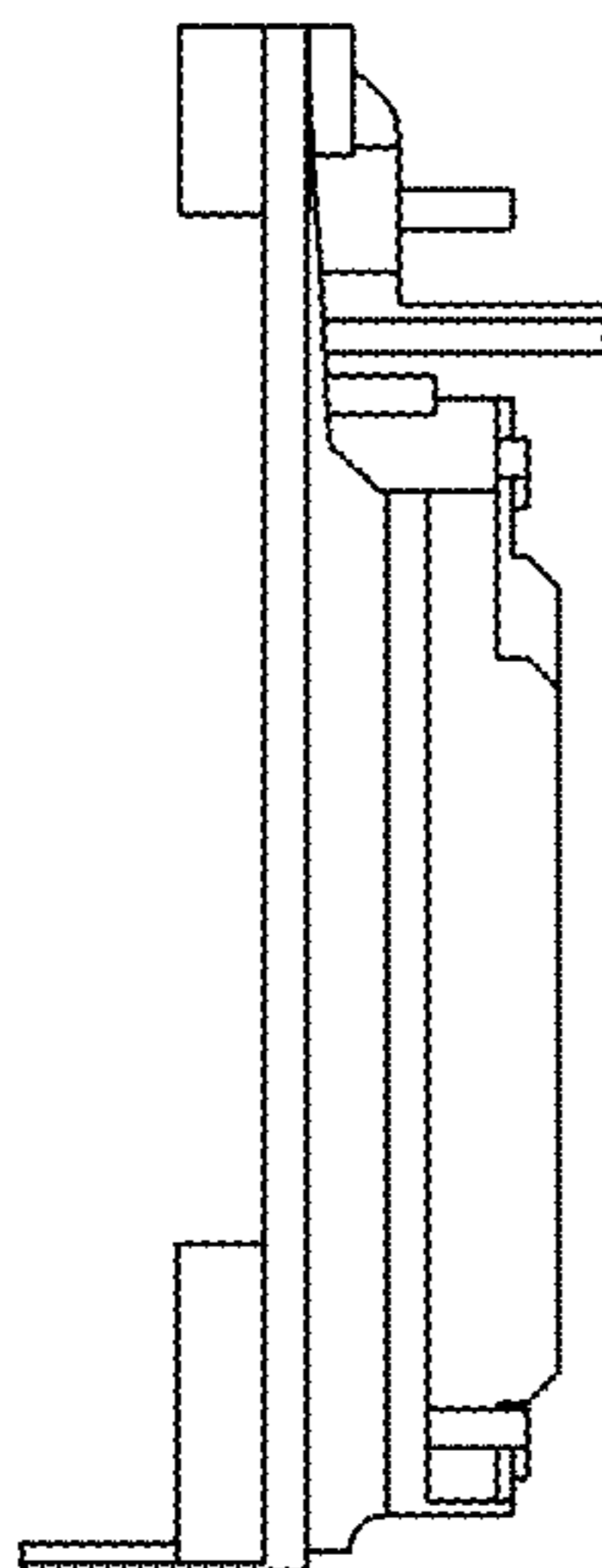




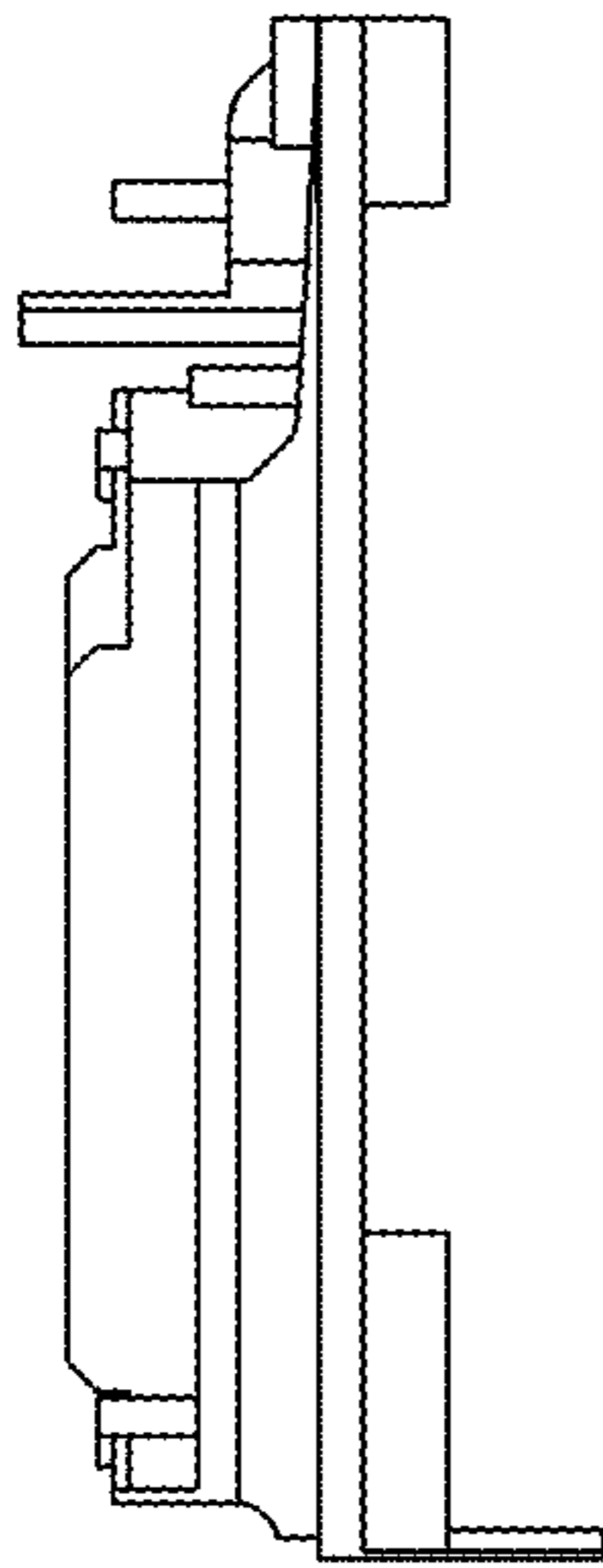
【FIG. 3】



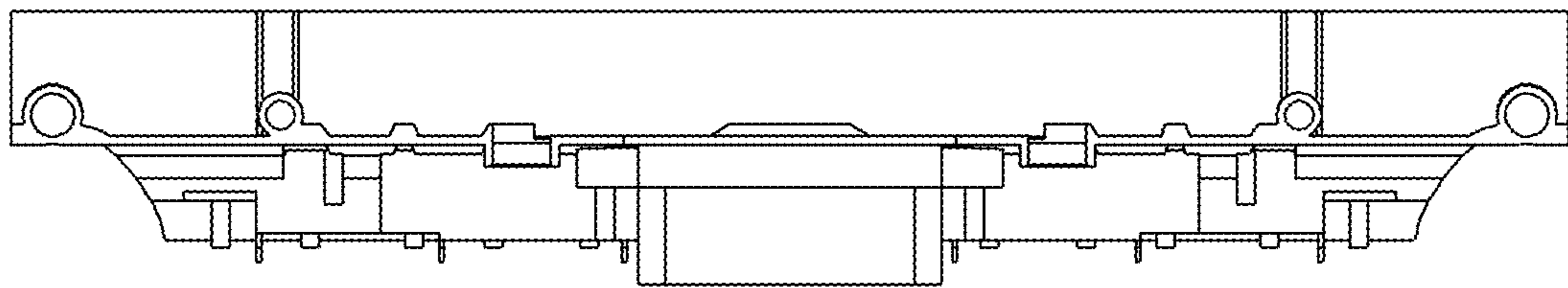
【FIG. 4】



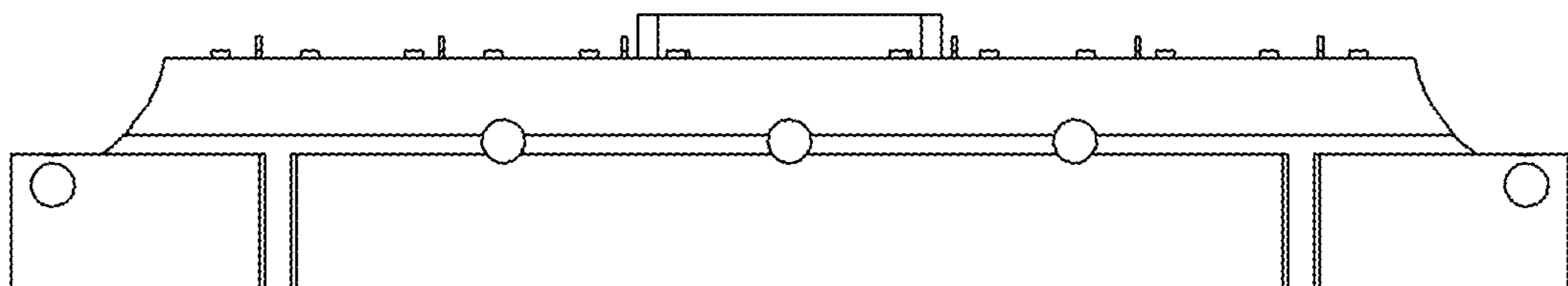
【FIG. 5】



【FIG. 6】



【FIG. 7】



【FIG. 8】

