



US00D913214S

(12) **United States Design Patent** (10) **Patent No.:** **US D913,214 S**
Duman et al. (45) **Date of Patent:** **** Mar. 16, 2021**

(54) **BATTERY**
(71) Applicant: **MOTOROLA SOLUTIONS, INC.**,
Chicago, IL (US)
(72) Inventors: **Goktug Duman**, Oakland Park, FL
(US); **Ryan M Nilsen**, Plantation, FL
(US); **William Robertson**, Pompano
Beach, FL (US)
(73) Assignee: **MOTOROLA SOLUTIONS, INC.**,
Chicago, IL (US)
(**) Term: **15 Years**
(21) Appl. No.: **29/674,195**
(22) Filed: **Dec. 20, 2018**
(51) **LOC (13) Cl.** **13-02**
(52) **U.S. Cl.**
USPC **D13/103**
(58) **Field of Classification Search**
USPC D13/102-110, 118-119, 184
CPC Y02E 60/10; Y02E 60/12; Y02E 60/122;
Y02E 60/124; Y02E 60/50; H01M 2/02;
H01M 2/022; H01M 2/0202; H01M
2/0207; H01M 2/0212; H01M 2/1061;
H01M 2/1022; H01M 2/1055; H01M
2/1066; H01M 2/105; H01M 2/20; H01M
2/202; H01M 2/204; H01M 2/206; H01M
10/44; H01M 10/46; H01M 10/465;
H01M 10/482; H01M 2200/30; H01M
2250/30; H01M 2250/40; H02J 7/00;
H02J 7/0003; H02J 7/0011; H02J 7/0013;
H02J 7/0054; H02J 7/0055; H02J 7/0057;
H02J 2007/0062
See application file for complete search history.

(56) **References Cited**
U.S. PATENT DOCUMENTS
D306,574 S * 3/1990 Schultz D13/103
D345,727 S * 4/1994 Flowers D13/103

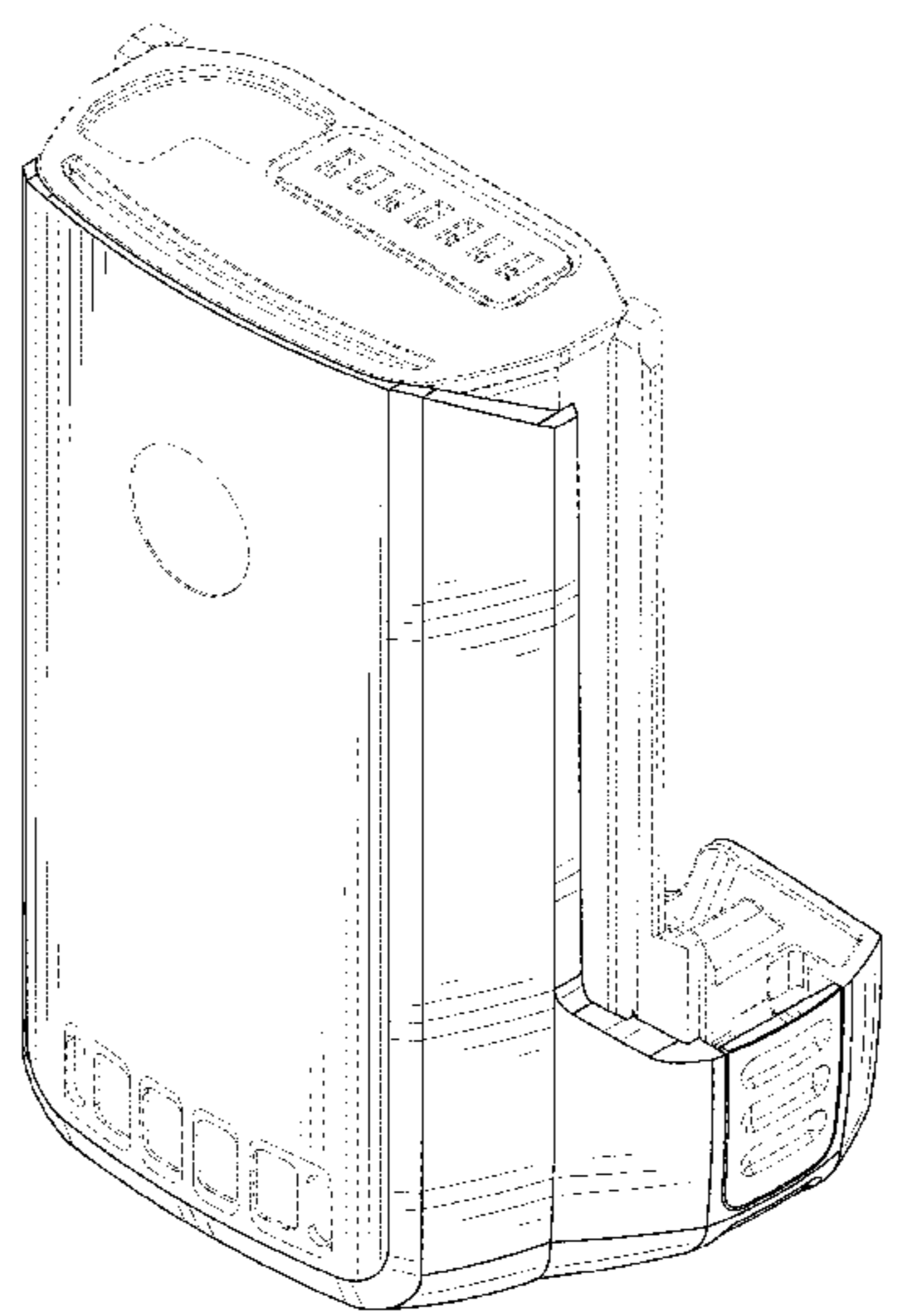
D547,264 S * 7/2007 Kondo D13/103
D576,545 S * 9/2008 Mandel D13/103
D597,482 S * 8/2009 Kondo D13/103
D623,589 S * 9/2010 Tarter D13/103
D681,549 S * 5/2013 Jackson D13/103
D682,195 S * 5/2013 Aglassinger D13/103
D694,176 S * 11/2013 Buetow D13/103
D699,672 S * 2/2014 Kosugi D13/103
D740,222 S * 10/2015 Tang D13/103
D741,794 S * 10/2015 Wright D13/103
D818,949 S * 5/2018 Dunkin D13/103
2009/0229842 A1 * 9/2009 Gray G01R 1/04
173/20
2013/0196203 A1 * 8/2013 Wackwitz B25F 5/00
429/96
2015/0155726 A1 * 6/2015 Duan H02J 7/342
320/113

* cited by examiner
Primary Examiner — Catherine S Posthauer
Assistant Examiner — Alison M Ofstun
(74) *Attorney, Agent, or Firm* — Raguraman Kumaresan

(57) **CLAIM**
The ornamental design for a battery, as shown and described.

DESCRIPTION
FIG. 1 is a front perspective view of a battery, showing our new design;
FIG. 2 is a rear perspective view thereof;
FIG. 3 is a front view thereof;
FIG. 4 is a rear view thereof;
FIG. 5 is a first side view thereof;
FIG. 6 is a second side view thereof;
FIG. 7 is a top view thereof; and,
FIG. 8 is a bottom view thereof.
The broken lines in the figures represent portions of the article which form no part of the claimed design.

1 Claim, 8 Drawing Sheets



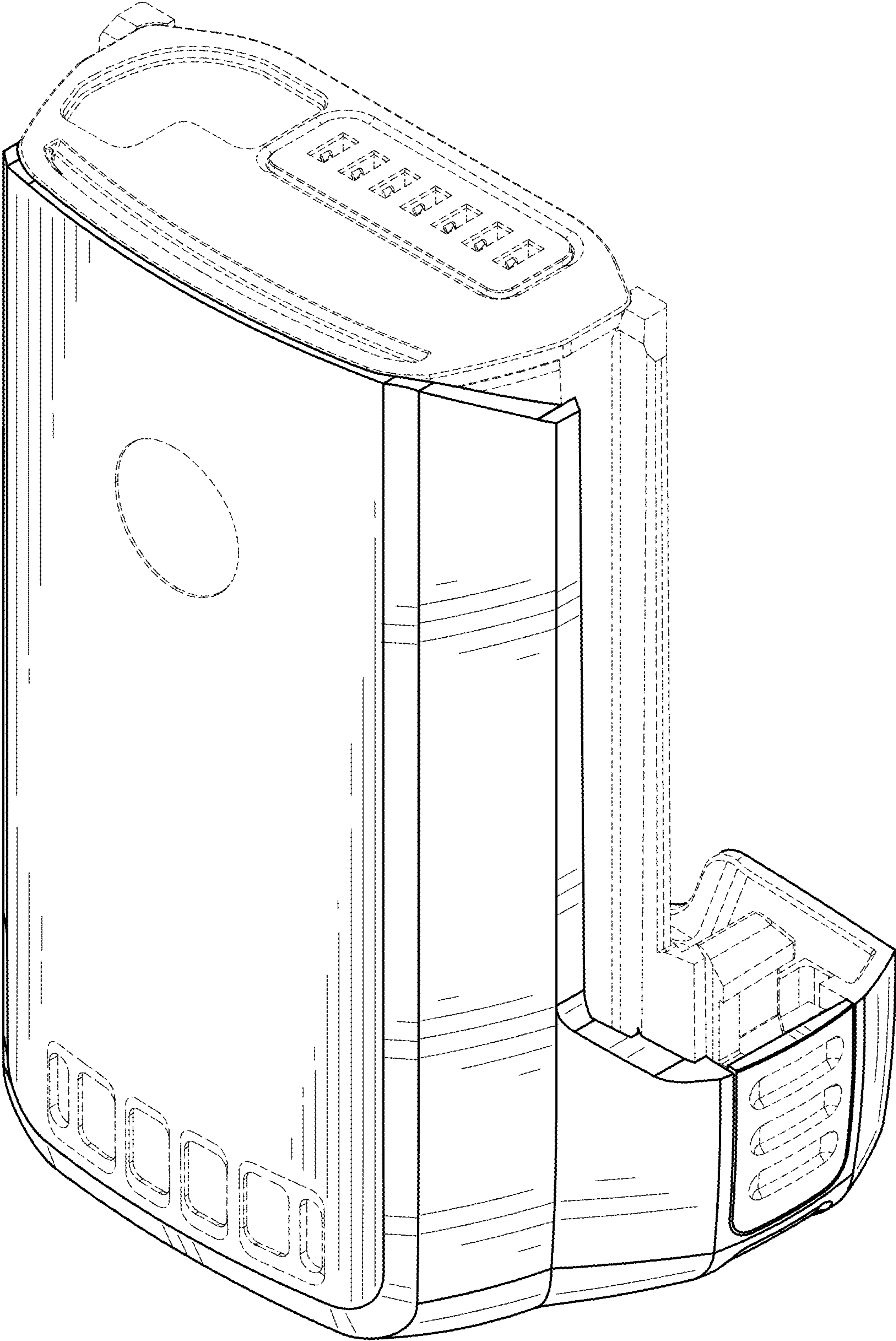


FIG. 1

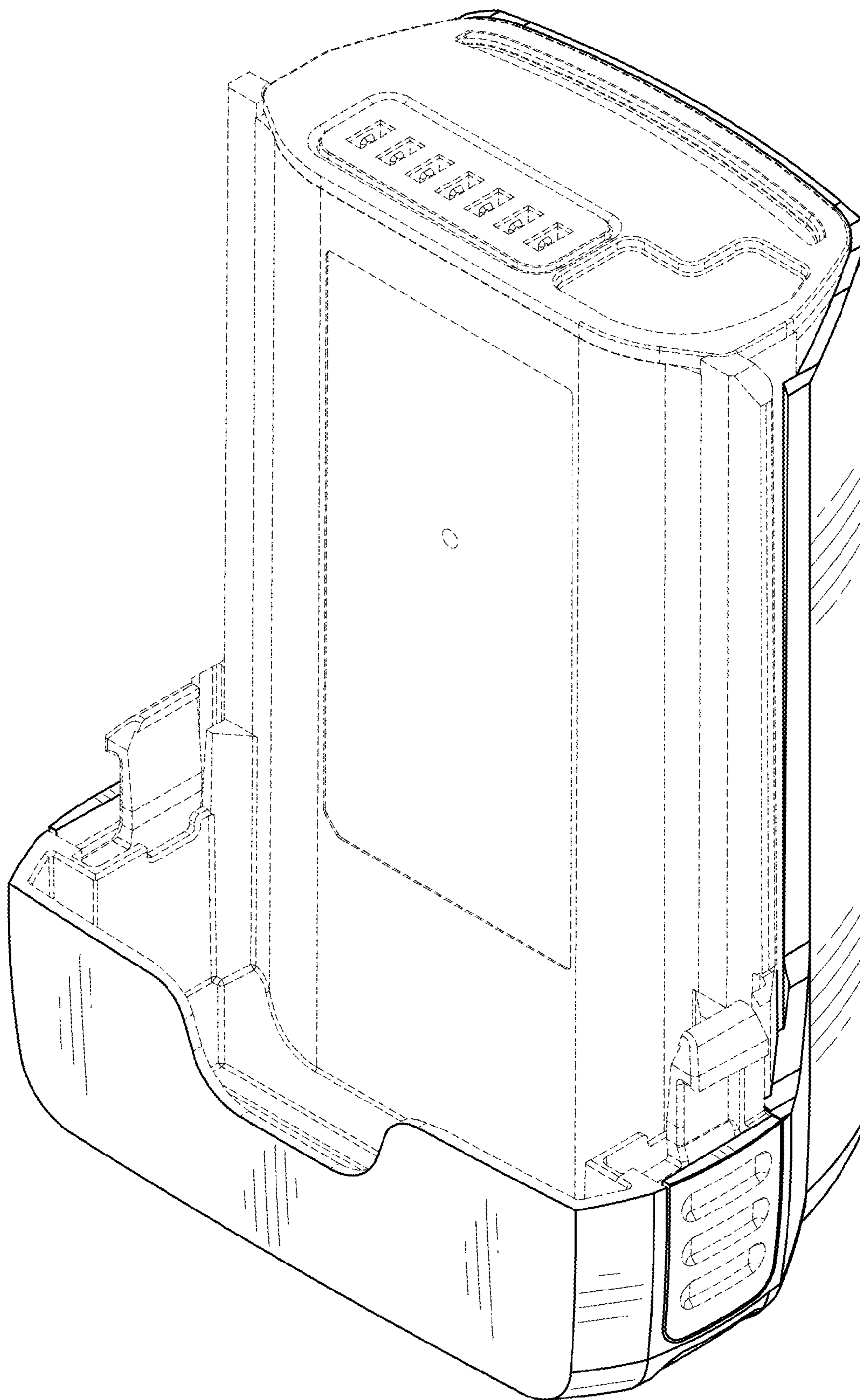


FIG. 2

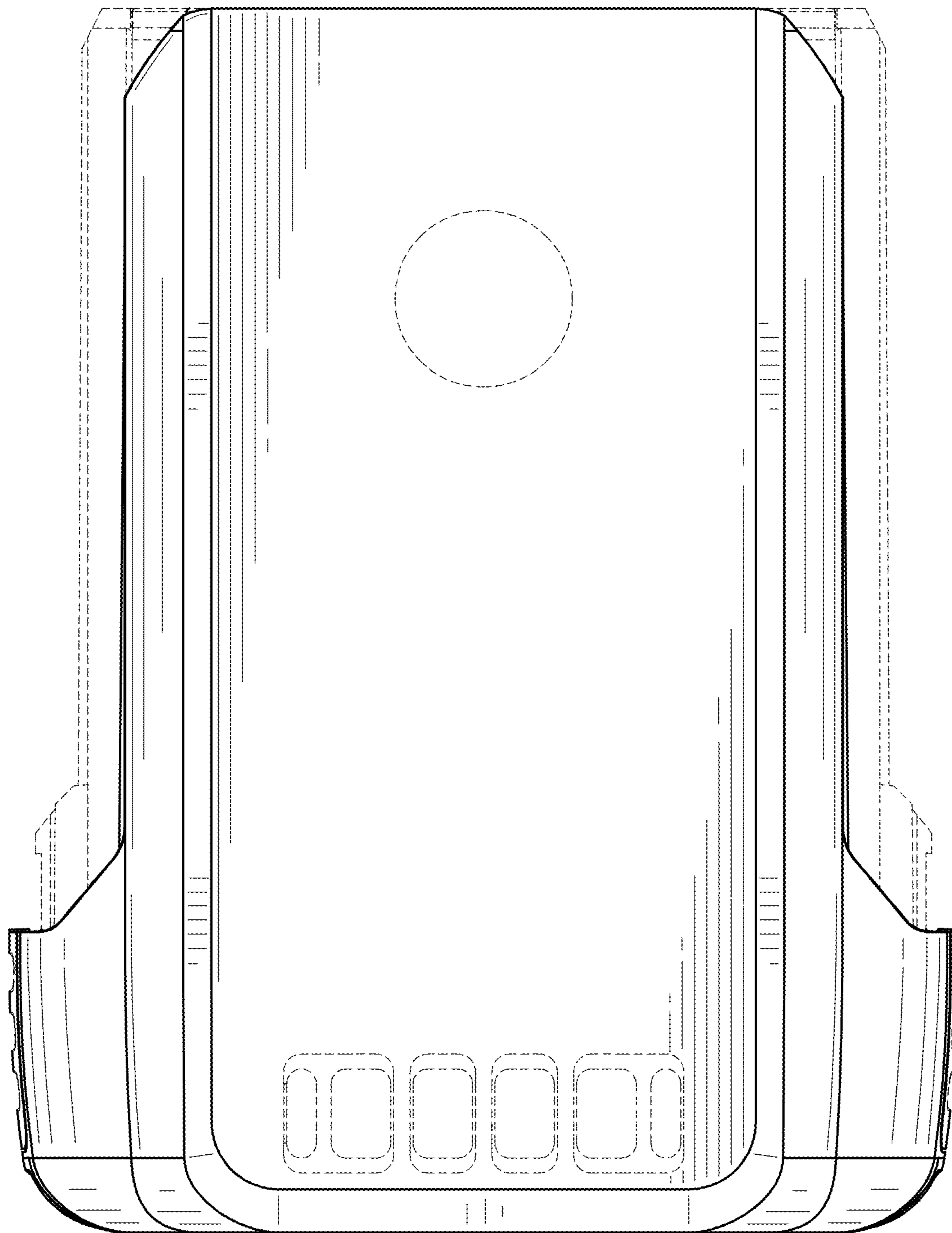


FIG. 3

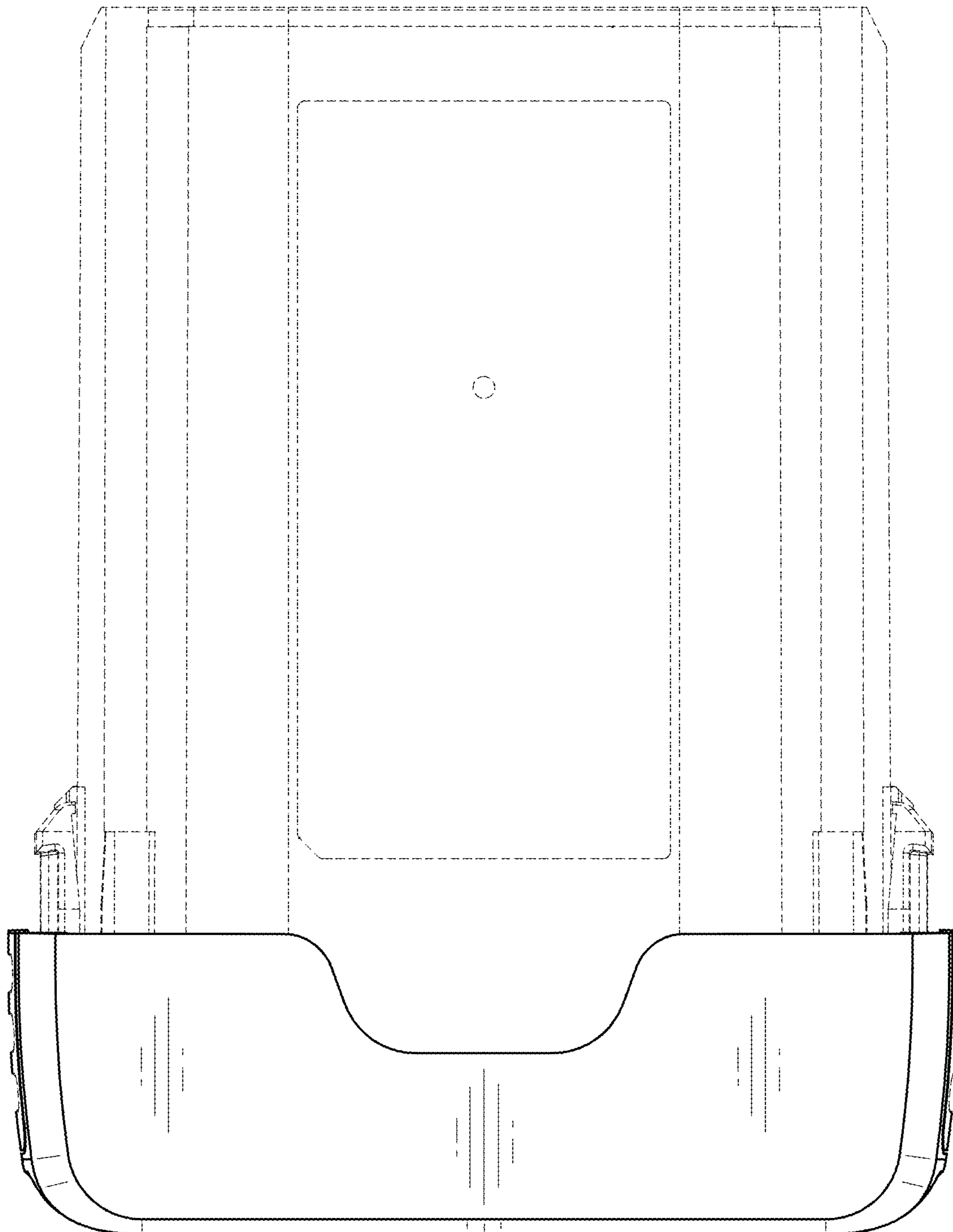


FIG. 4

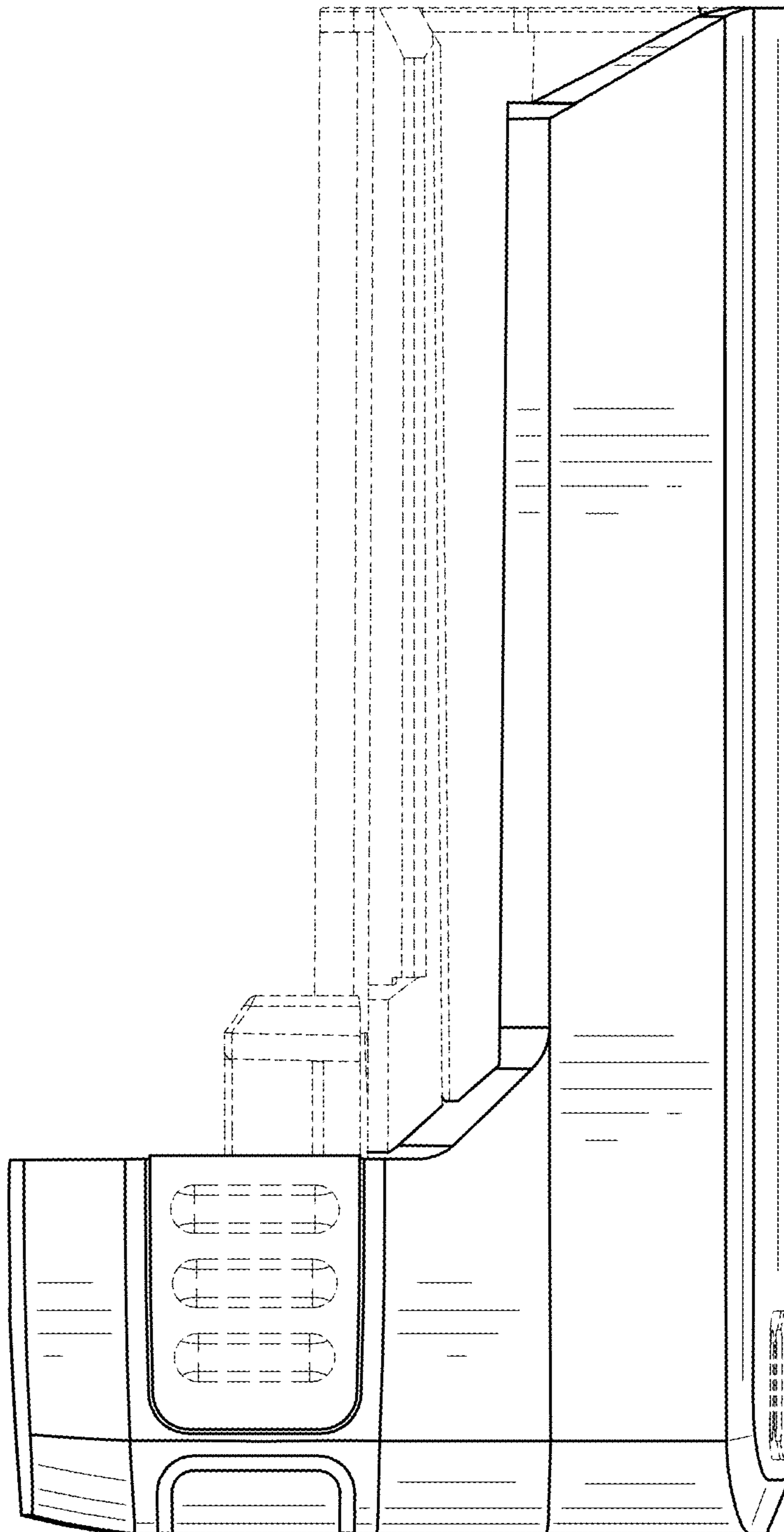


FIG. 5

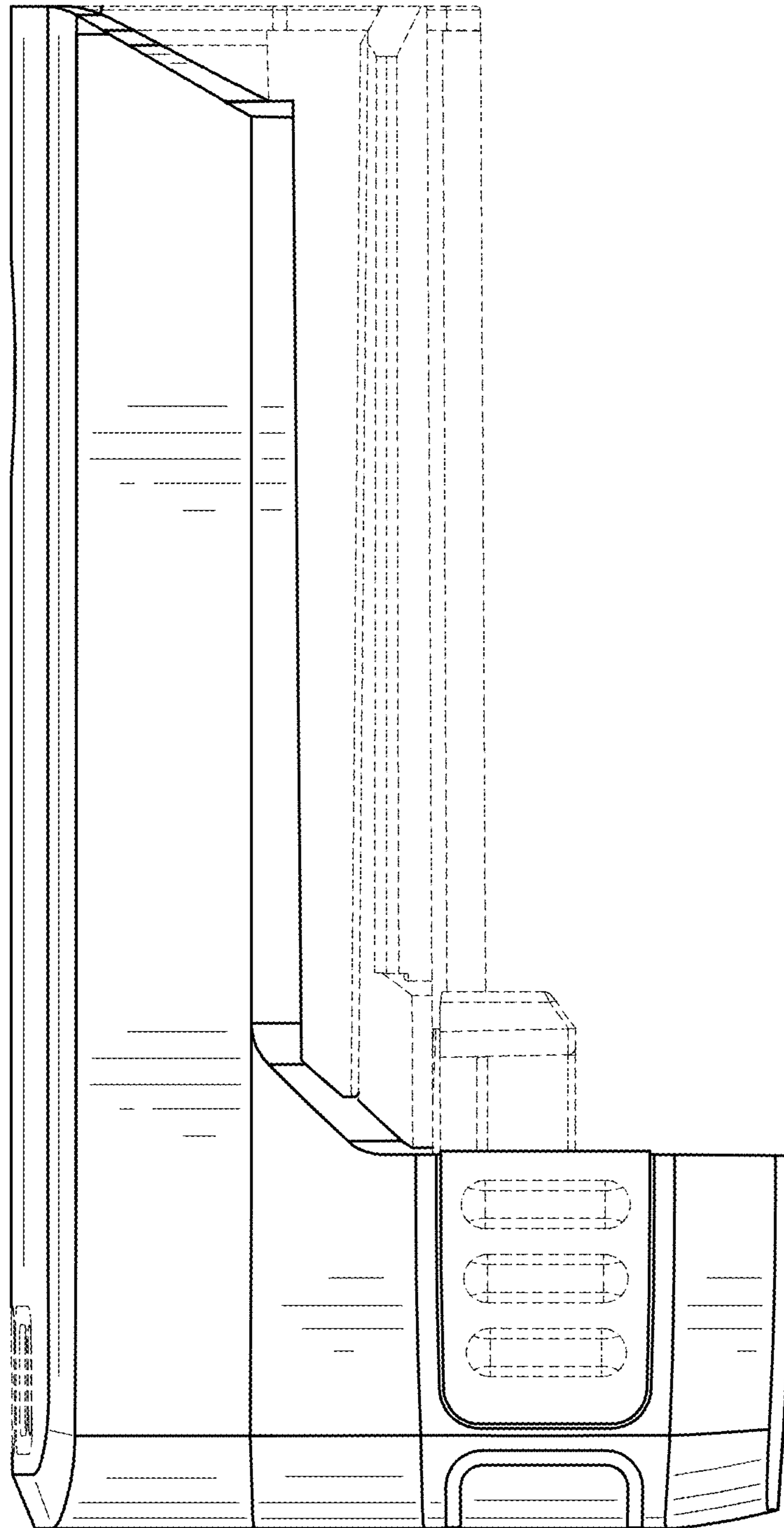


FIG. 6

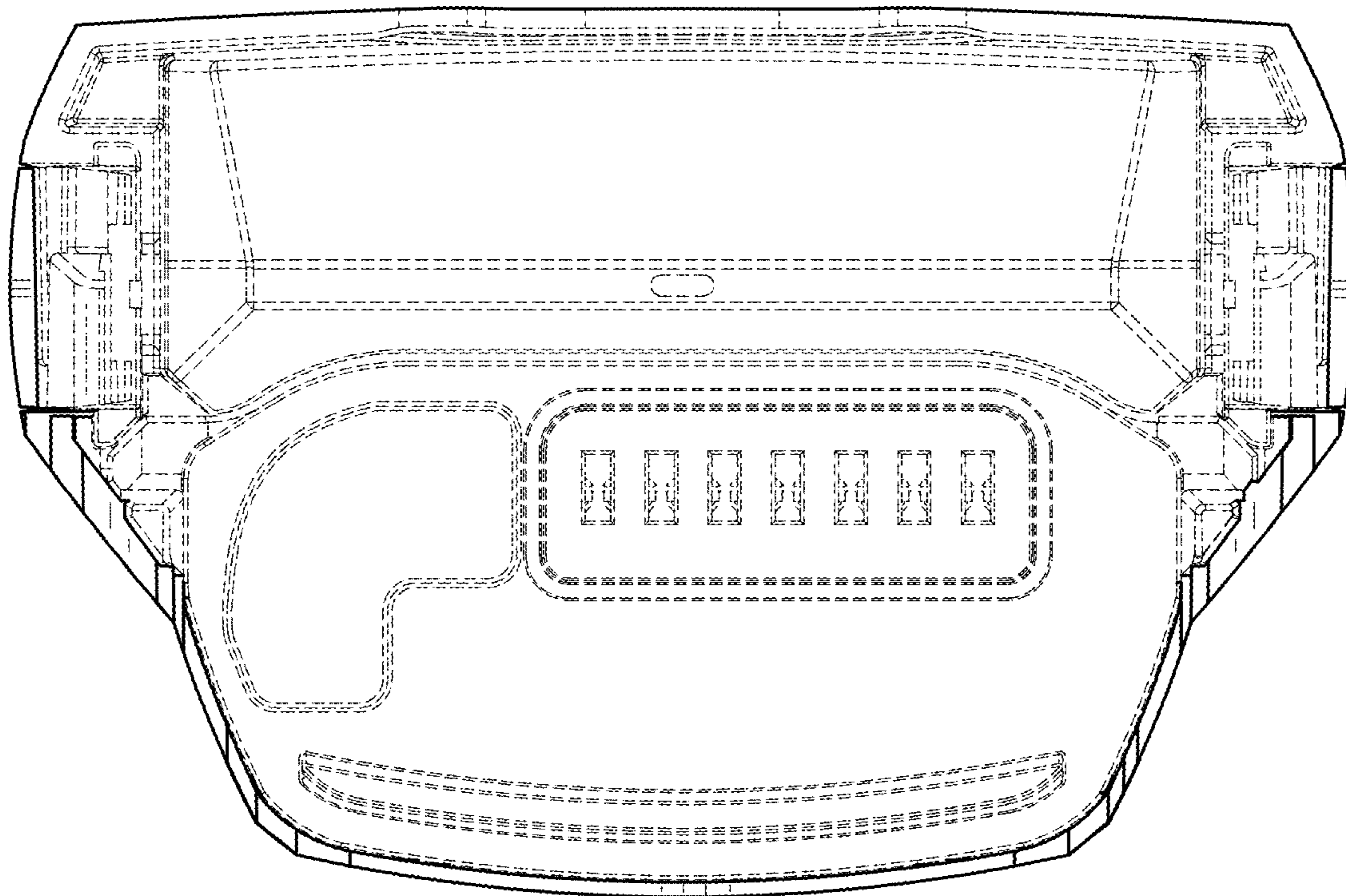


FIG. 7

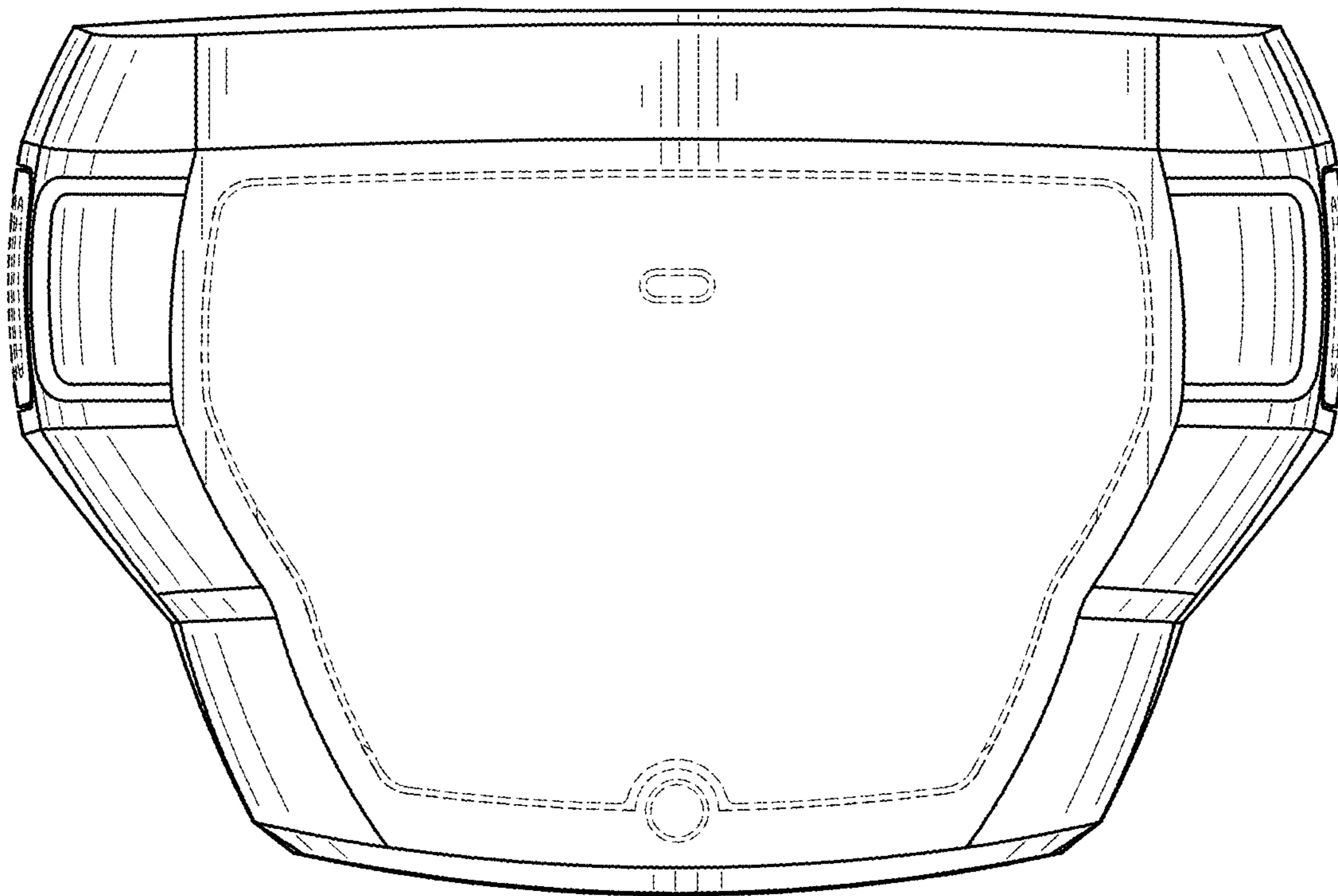


FIG. 8